



US00D421484S

United States Patent [19] Pitsch

[11] **Patent Number: Des. 421,484**

[45] **Date of Patent: ** Mar. 7, 2000**

[54] **FAUCET**

[75] **Inventor: Walter Pitsch, Franklin Park, N.J.**

[73] **Assignee: American Standard Inc., Piscataway, N.J.**

[**] **Term: 14 Years**

[21] **Appl. No.: 29/086,507**

[22] **Filed: Apr. 14, 1998**

[51] **LOC (6) Cl. 23-01**

[52] **U.S. Cl. D23/238**

[58] **Field of Search D23/238-243,
D23/250-257; 4/675-678; 137/801**

[56] **References Cited**

U.S. PATENT DOCUMENTS

D. 187,846	5/1960	Brown	D91/3
D. 229,495	12/1973	Landell	D23/291
D. 299,518	1/1989	Yost	D23/241
D. 346,852	5/1994	Hill	D23/241
D. 373,616	9/1996	Doughty et al.	D23/241
D. 373,618	9/1996	Doughty et al.	D23/241

D. 382,940	8/1997	Ku	D23/238
3,929,317	12/1975	Cohn et al.	251/223
4,290,445	9/1981	Turner	137/359
4,747,428	5/1988	Crawford et al.	137/315
4,751,943	6/1988	Chi	137/625.31
5,642,755	7/1997	Mark et al.	137/801

Primary Examiner—Eric Watterson

[57] **CLAIM**

The ornamental design for a faucet, as shown and described.

DESCRIPTION

FIG. 1 is a top, front, and left side perspective view of a faucet showing my new design;
FIG. 2 is a front elevational view thereof;
FIG. 3 is rear elevational view thereof;
FIG. 4 is a top plan view thereof;
FIG. 5 is a bottom plan view thereof; and,
FIG. 6 is a left side elevational view, the opposite side being a mirror image thereof.

The broken line showing is for illustrative purposes only and forms no part of the claimed design.

1 Claim, 4 Drawing Sheets

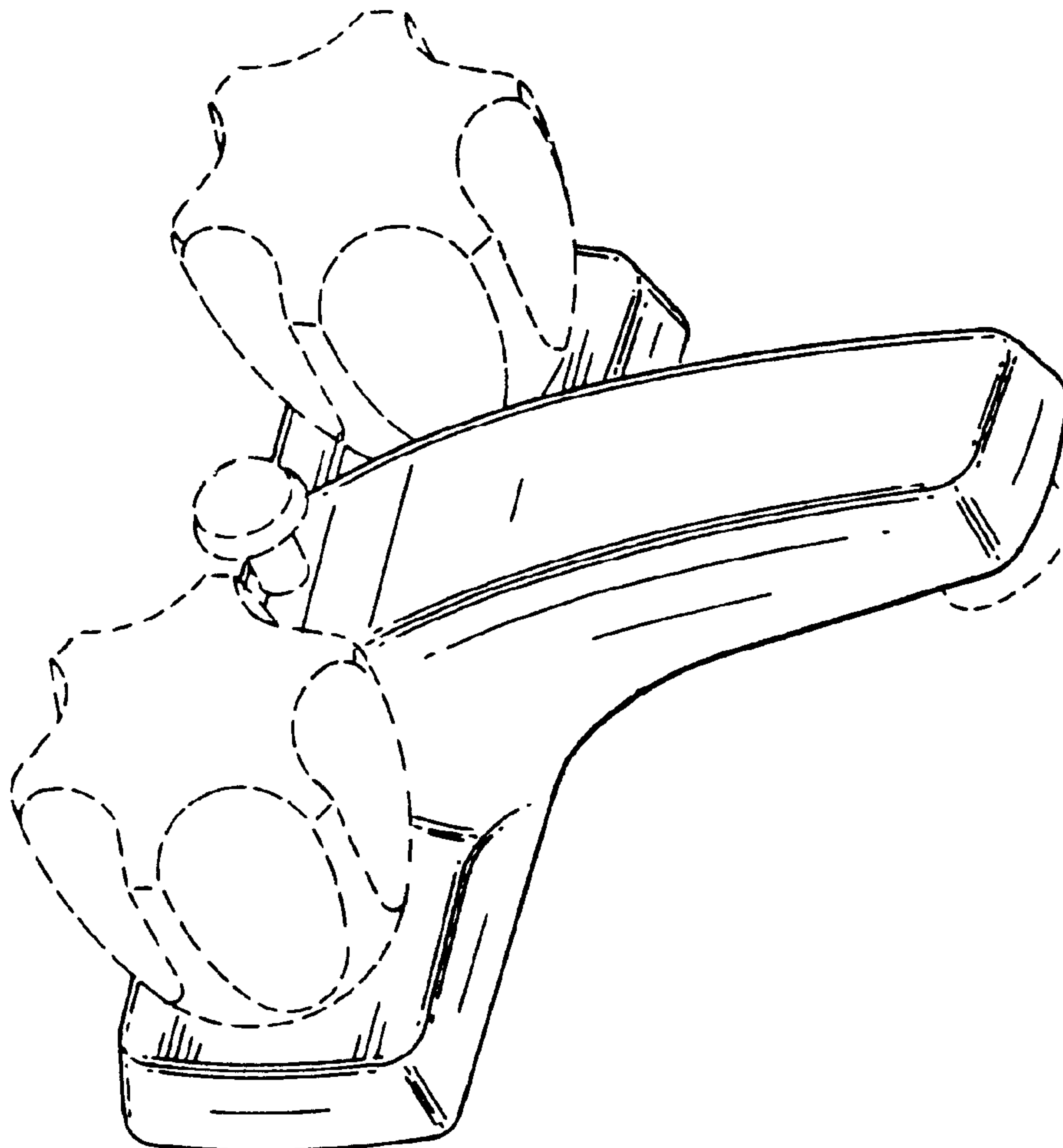
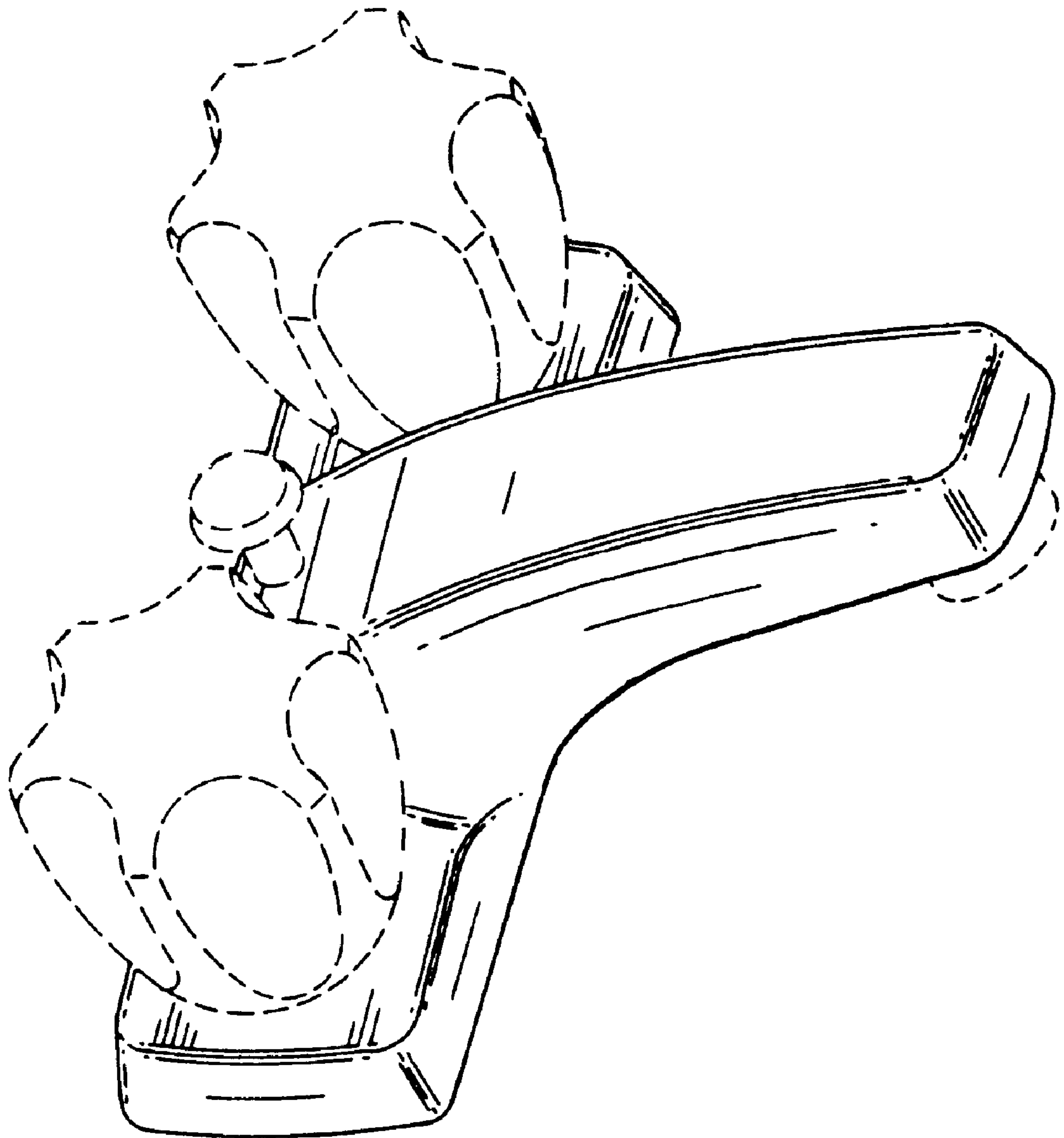


FIG. 1



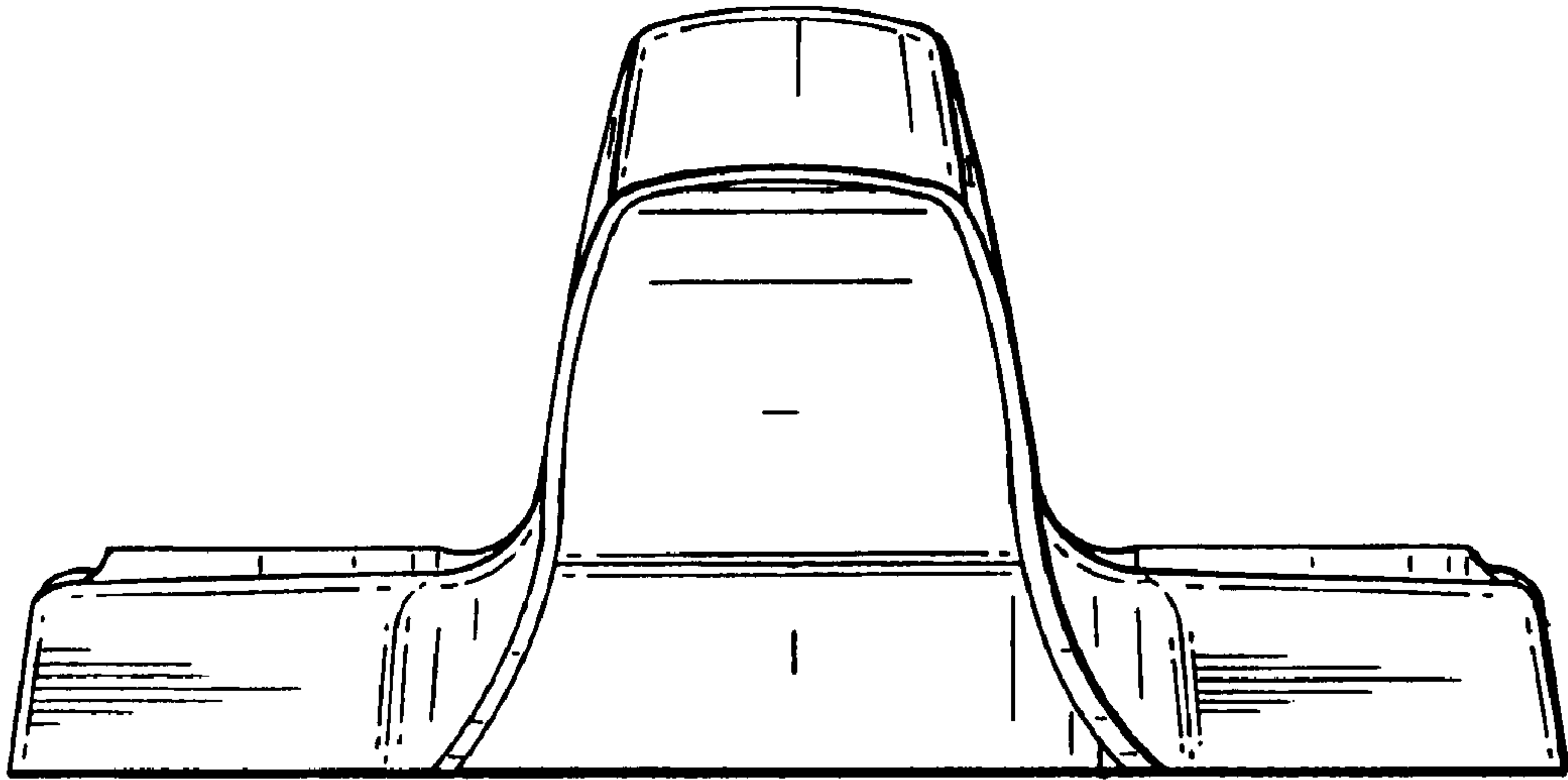


FIG. 2

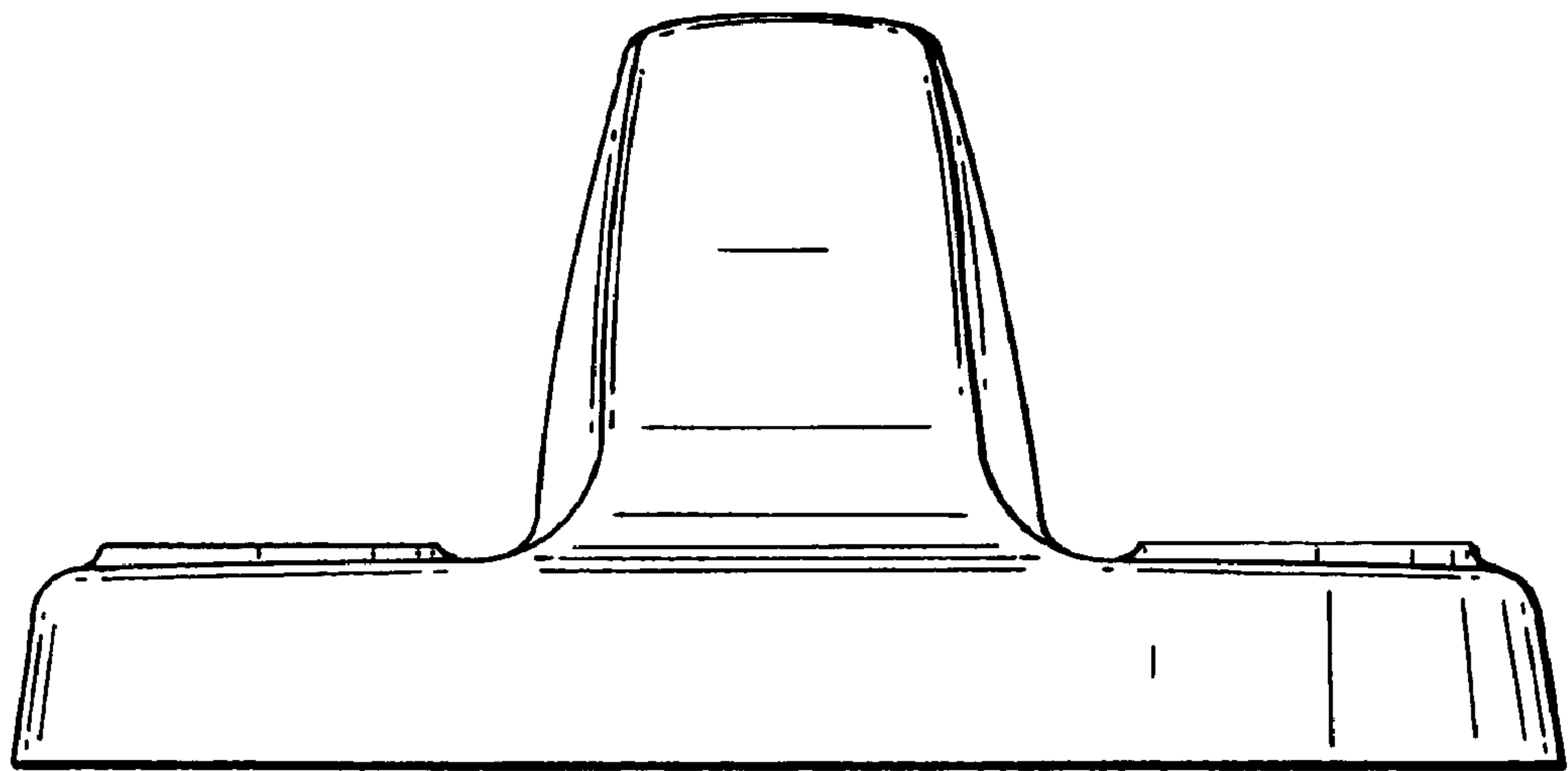


FIG. 3

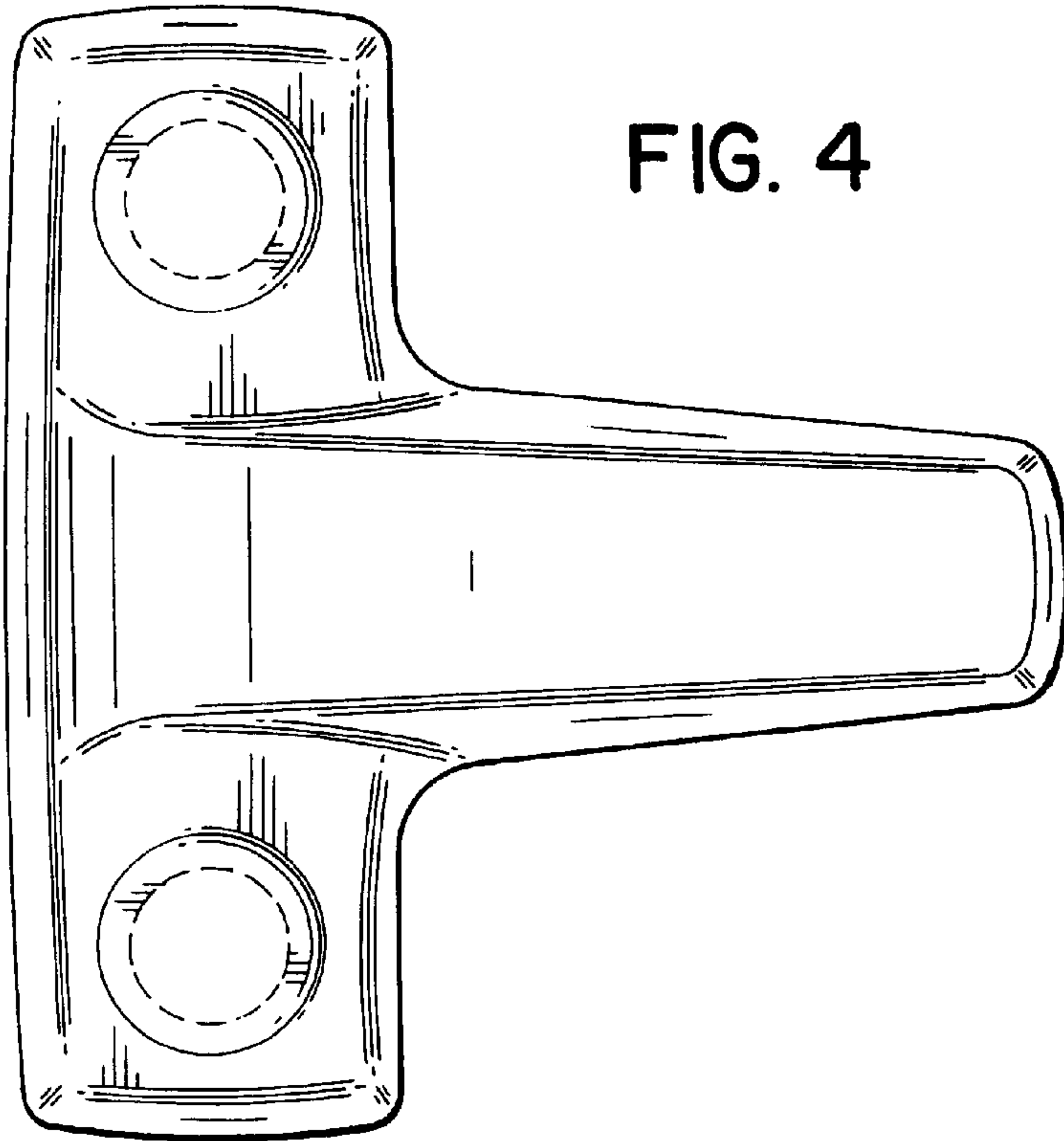


FIG. 4

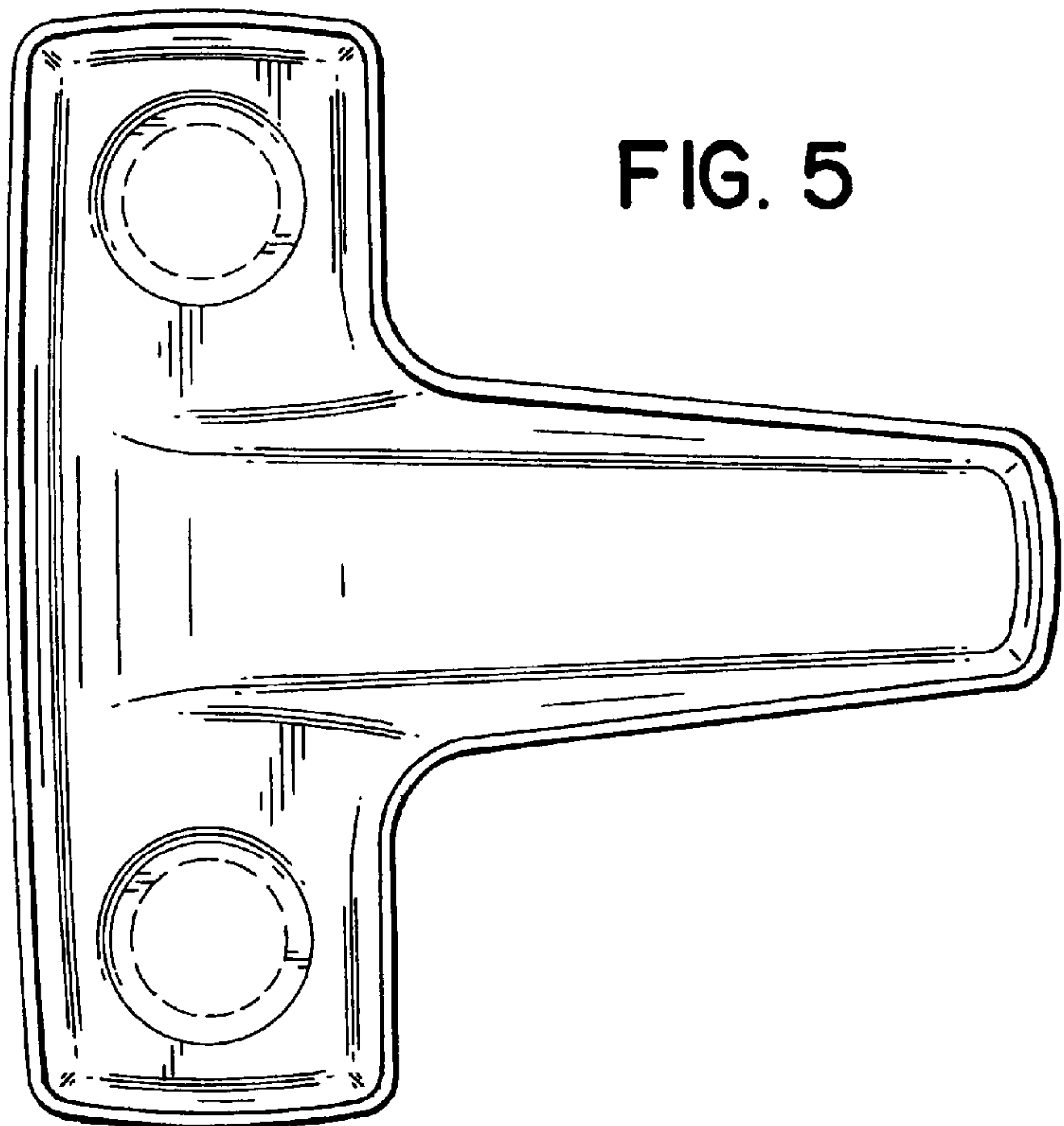


FIG. 5

FIG. 6

