



US00D421479S

United States Patent [19] Yamaguchi

[11] **Patent Number: Des. 421,479**
[45] **Date of Patent: ** Mar. 7, 2000**

[54] **SPOOL FOR A SPINNING FISHING REEL**

[75] Inventor: **Kaname Yamaguchi**, Tokyo, Japan

[73] Assignee: **Daiwa Seiko, Inc.**, Tokyo, Japan

[**] Term: **14 Years**

[21] Appl. No.: **29/089,863**

[22] Filed: **Jun. 24, 1998**

[51] **LOC (6) Cl. 22-05**

[52] **U.S. Cl. D22/137**

[58] **Field of Search D22/141, 134,
D22/137; 242/224, 332, 323, 331**

[56] **References Cited**

U.S. PATENT DOCUMENTS

D. 215,599	10/1969	Laszlo	D22/141
D. 304,065	10/1989	Haynes	D22/141
D. 369,643	5/1996	Moriya et al.	D22/141
D. 393,689	4/1998	Kaneko et al.	D22/137
D. 404,461	1/1999	Kaneko et al.	D22/137
5,615,843	4/1997	Takeuchi et al.	242/322

FOREIGN PATENT DOCUMENTS

956754 6/1996 Japan .

Primary Examiner—Louis S. Zarfes
Assistant Examiner—Inga-Maria Hyttinen
Attorney, Agent, or Firm—Sughrue, Mion, Zinn, Macpeak & Seas, PLLC

[57] **CLAIM**

The ornamental design for a spool for a spinning fishing reel, as shown and described.

DESCRIPTION

FIG. 1 is a perspective view of the rear and a portion of the circumferential surface of a spool for a spinning fishing reel showing my new design, it being understood that the surface is uniform throughout the circumference of the spool;

FIG. 2 is a perspective view of the front and a portion of the circumferential surface thereof;

FIG. 3 is a side elevational view thereof;

FIG. 4 is a rear elevational view thereof;

FIG. 5 is a front elevational view thereof; and,

FIG. 6 is a sectional view taken along the line 6—6 in FIG. 4 thereof.

1 Claim, 2 Drawing Sheets

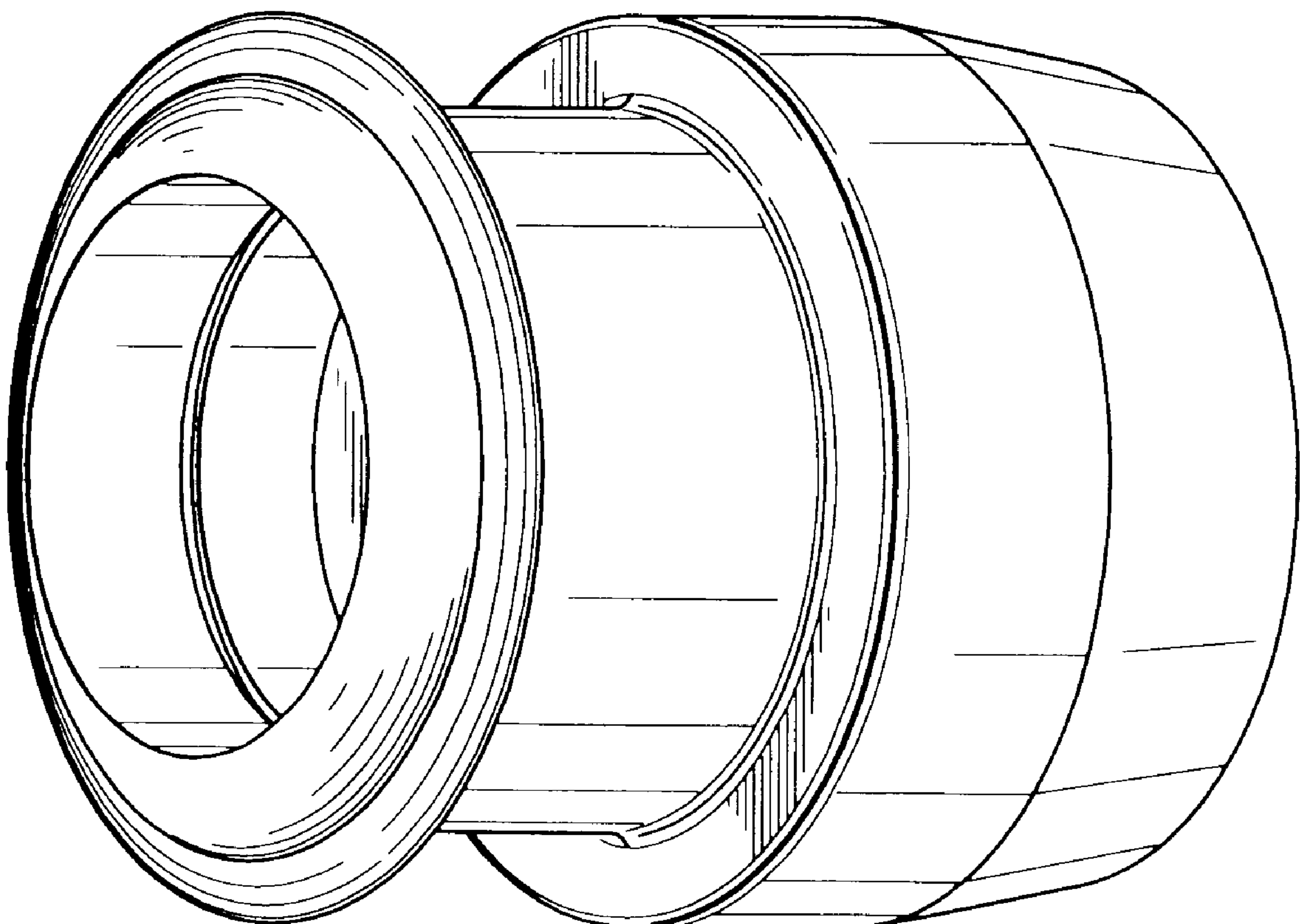


FIG. 1

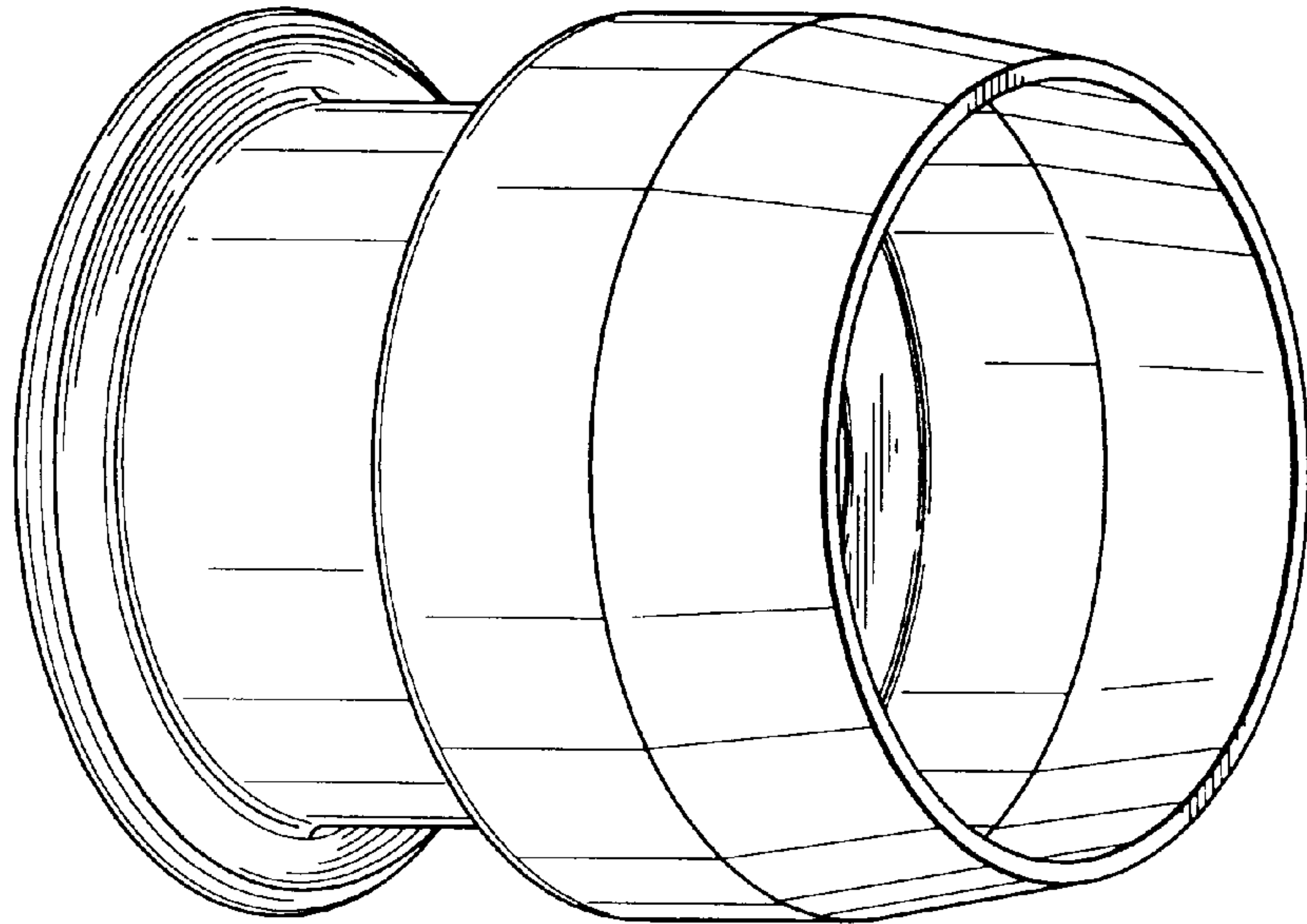


FIG. 2

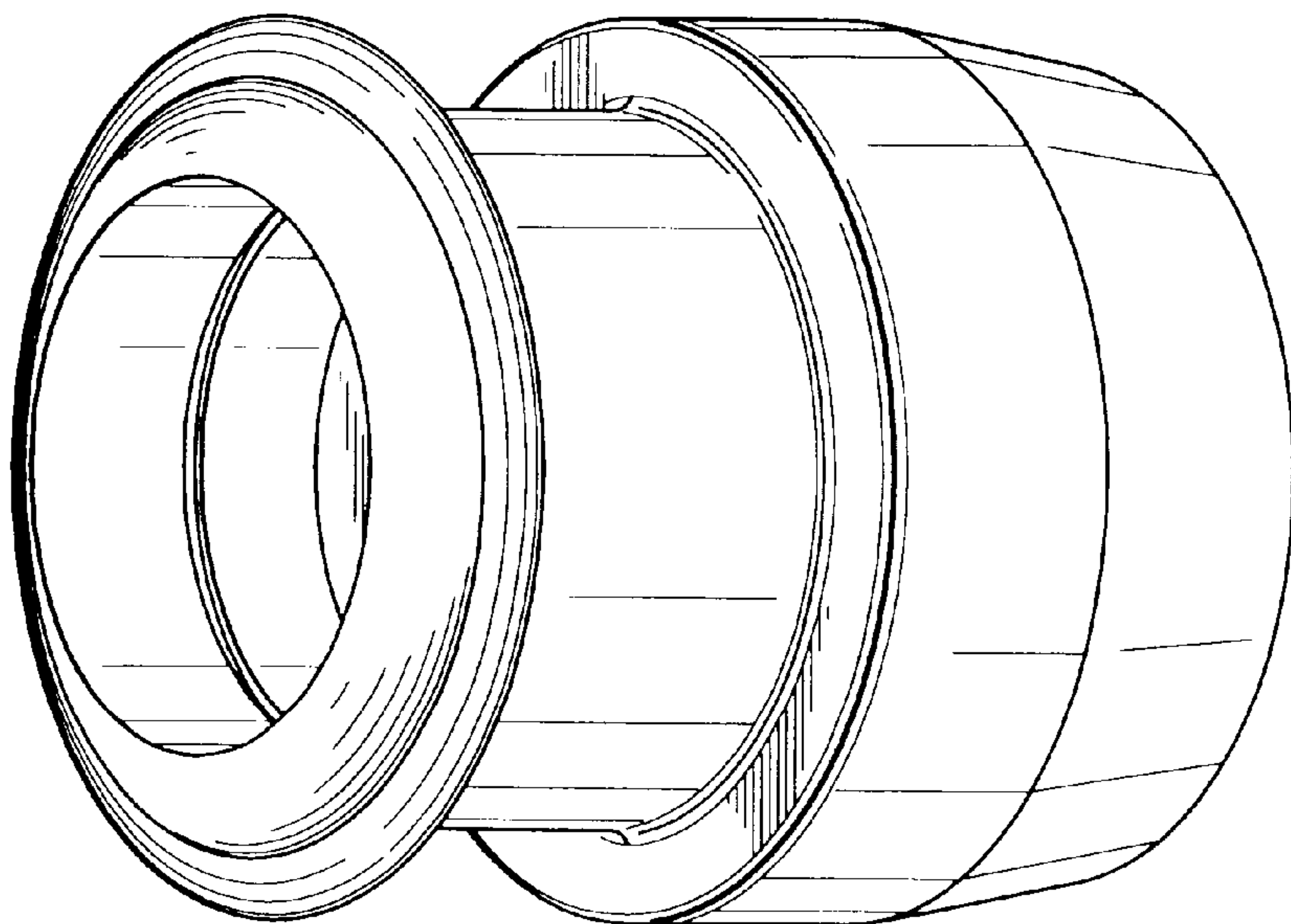


FIG. 3

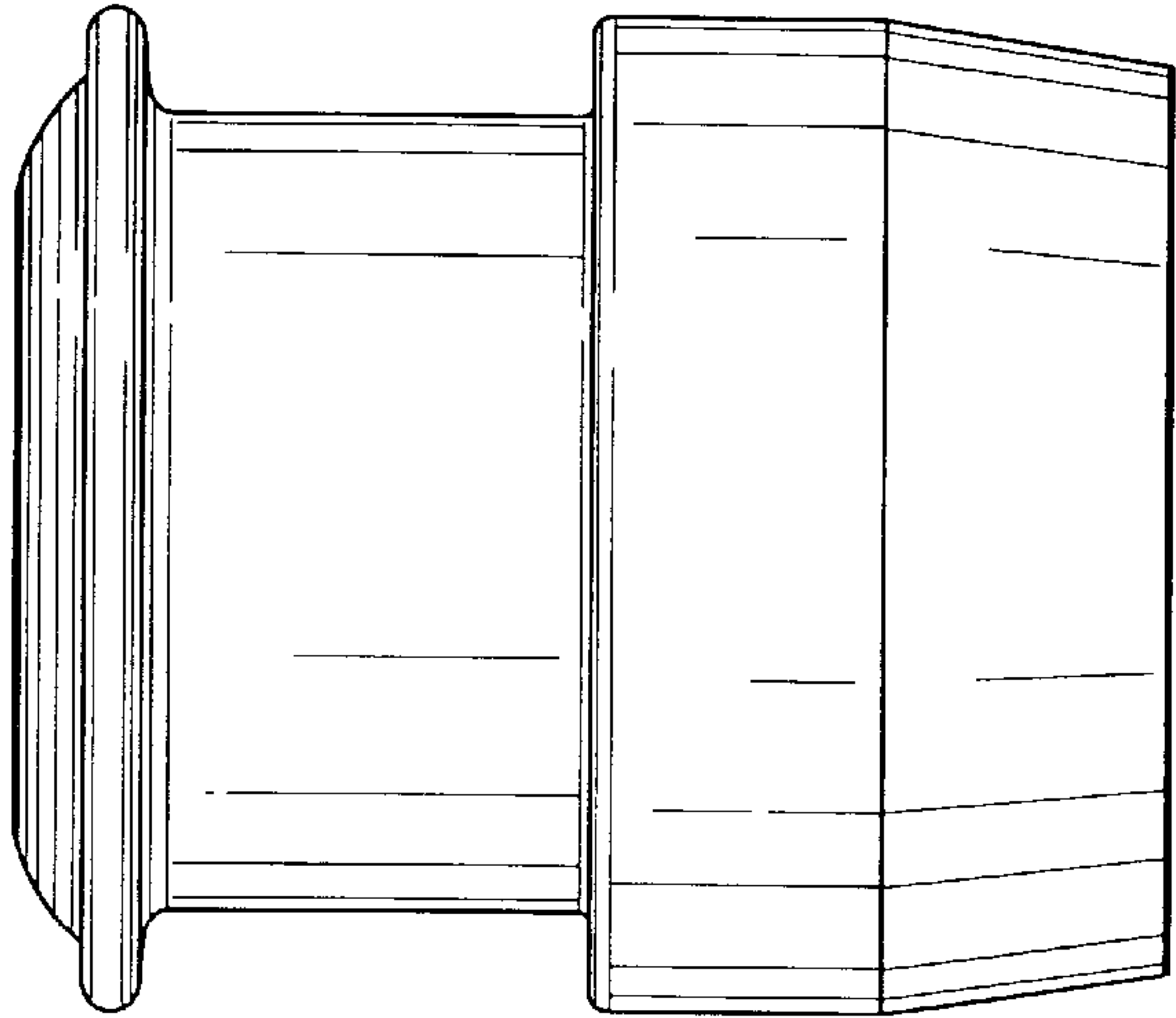


FIG. 4

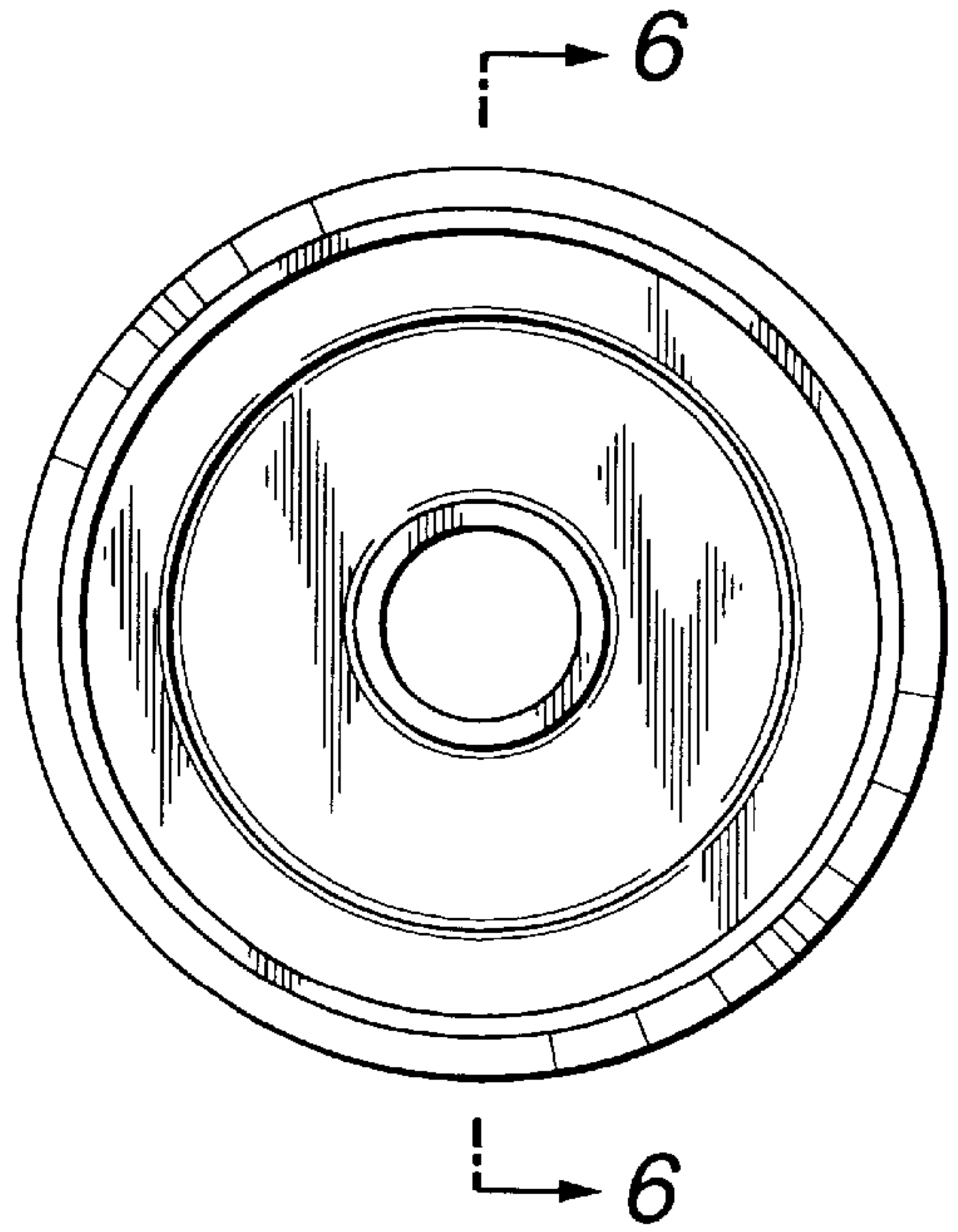


FIG. 5

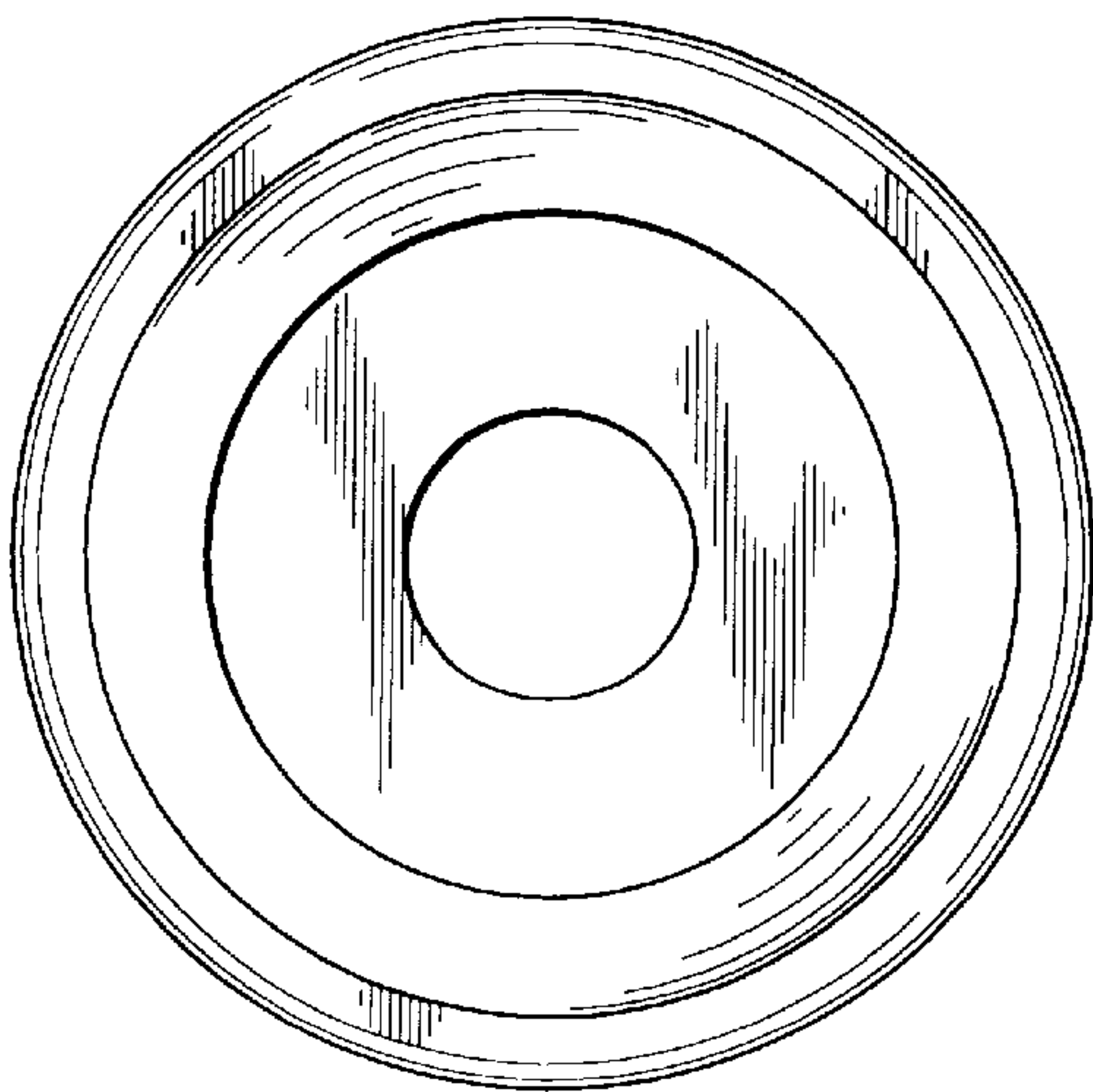


FIG. 6

