



US00D421477S

United States Patent [19]

[11] **Patent Number: Des. 421,477**

Kalal

[45] **Date of Patent: ** Mar. 7, 2000**

[54] **INSECT TRAP**

2,837,861 6/1958 Graham, Sr. D22/122
3,319,374 5/1967 Gawne D22/123

[76] Inventor: **David E. Kalal**, 34594 Garoutte Rd.,
Cottage Grove, Oreg. 97424

Primary Examiner—Doris Clark
Assistant Examiner—Inga-Maria Hyttinen
Attorney, Agent, or Firm—Robert E. Howard

[**] Term: **14 Years**

[57] **CLAIM**

[21] Appl. No.: **29/096,568**

The ornamental design for an insect trap, as shown and described.

[22] Filed: **Nov. 16, 1998**

[51] **LOC (6) Cl.** **22-06**

DESCRIPTION

[52] **U.S. Cl.** **D22/122**

FIG. 1 is a front perspective view of an insect trap showing the design;

[58] **Field of Search** D22/120, 122,
D22/123, 119; 43/107, 128, 132.1, 133,
122, 131

FIG. 2 is a top plan view thereof;

[56] **References Cited**

FIG. 3 is a front, side and rear elevational view thereof, all having the same configuration since the insect trap is circular; and,

U.S. PATENT DOCUMENTS

FIG. 4 is a bottom plan view thereof.

- D. 371,418 7/1996 Rubel D22/122
- D. 400,635 11/1998 Kinzler et al. D22/122
- 862,079 7/1907 Lenthier 43/122
- 1,960,464 5/1934 Thalheimer 43/131
- 1,996,293 4/1935 House 43/107

The area inside the broken line showing of a bottom is for illustrative purposes only and forms no part of the claimed design.

1 Claim, 2 Drawing Sheets

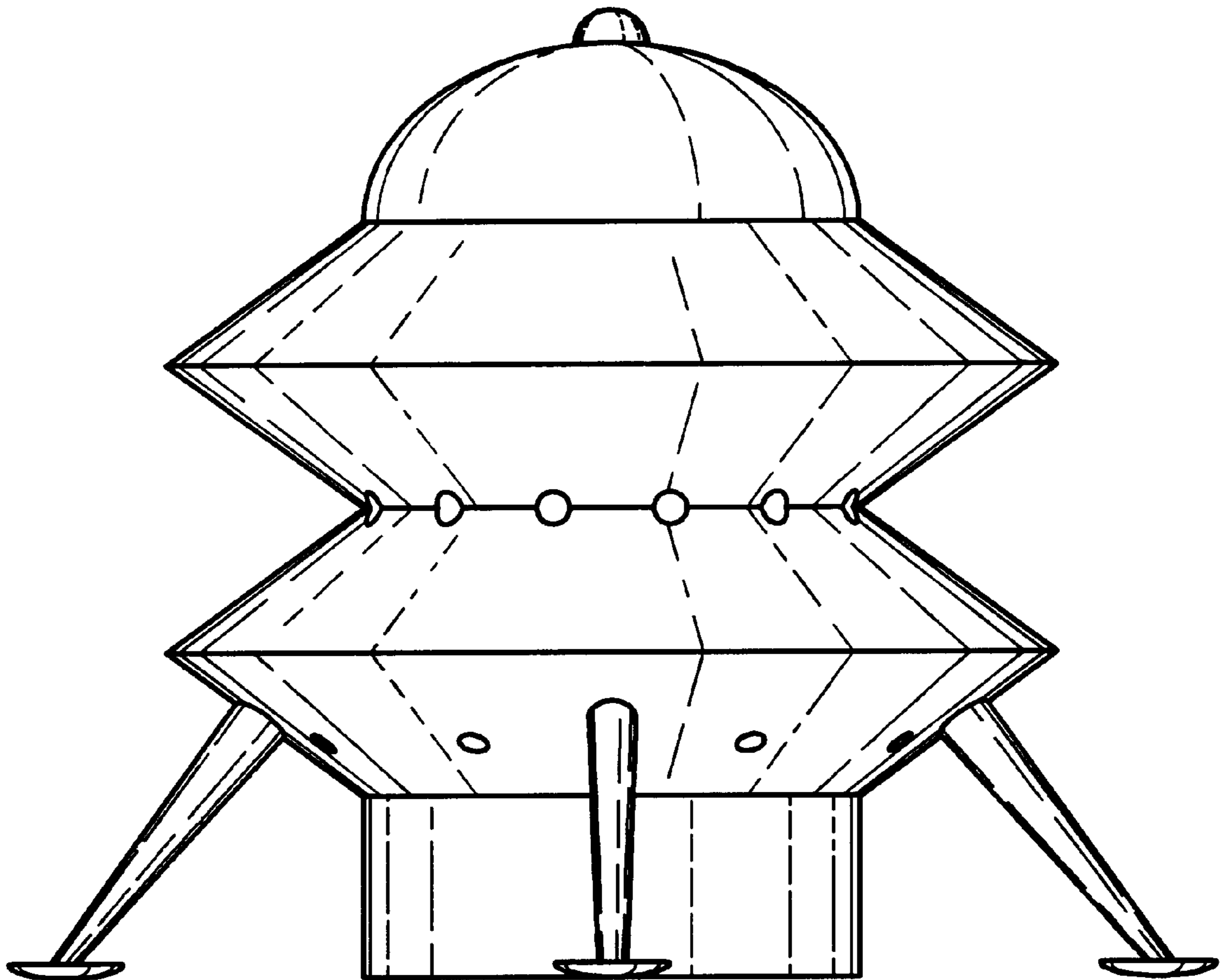


Fig. 1

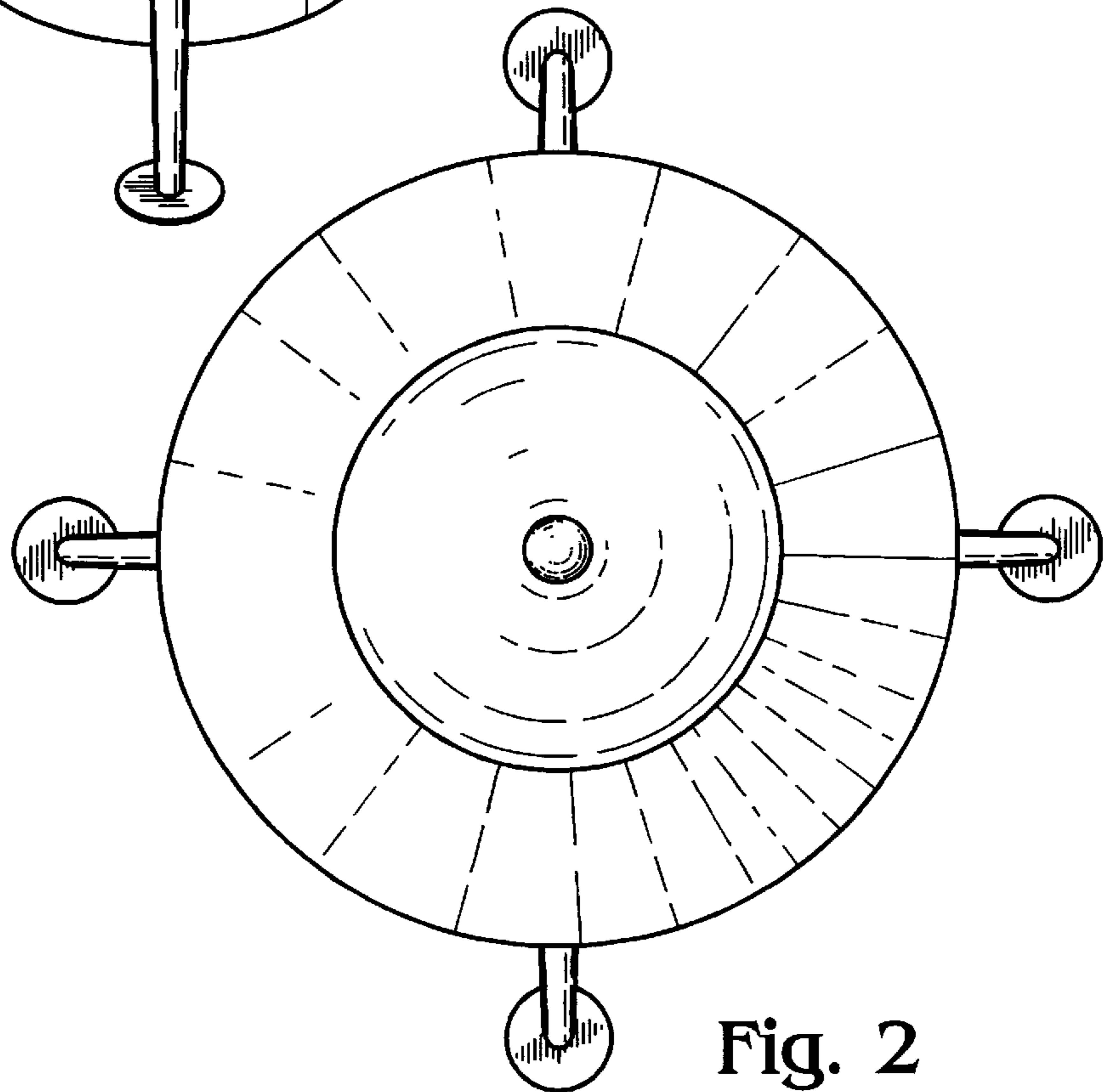
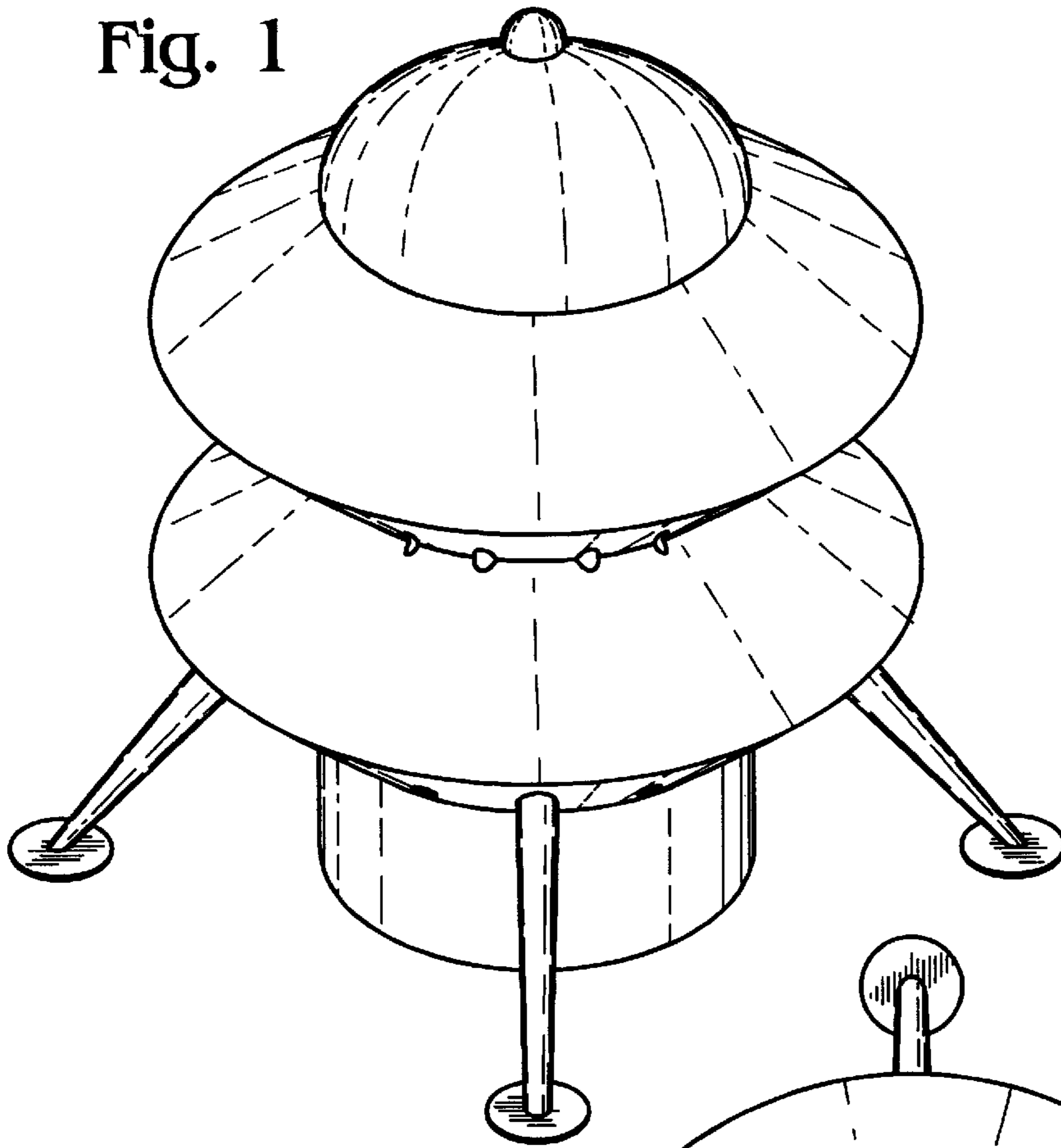


Fig. 2

Fig. 3

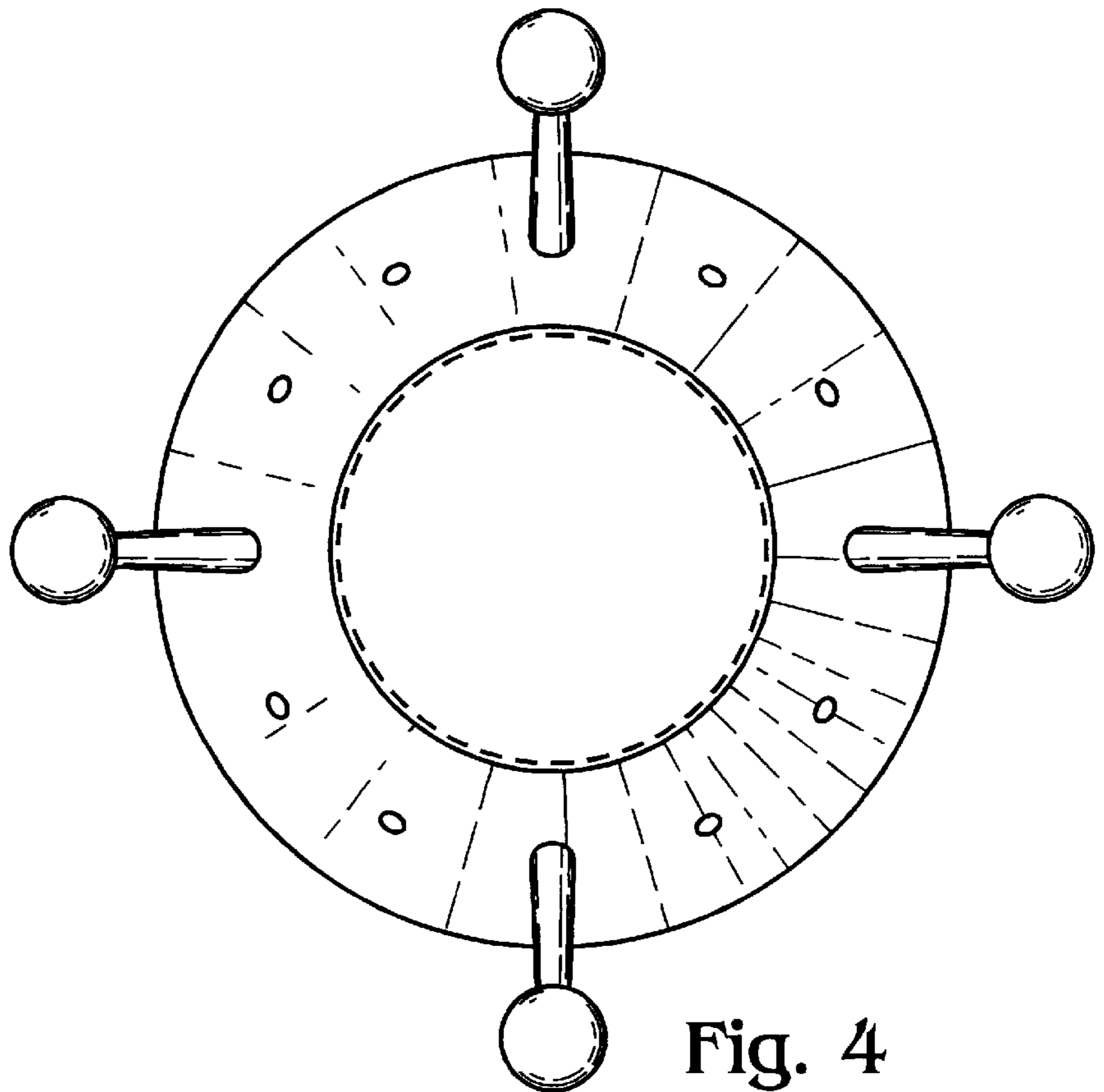
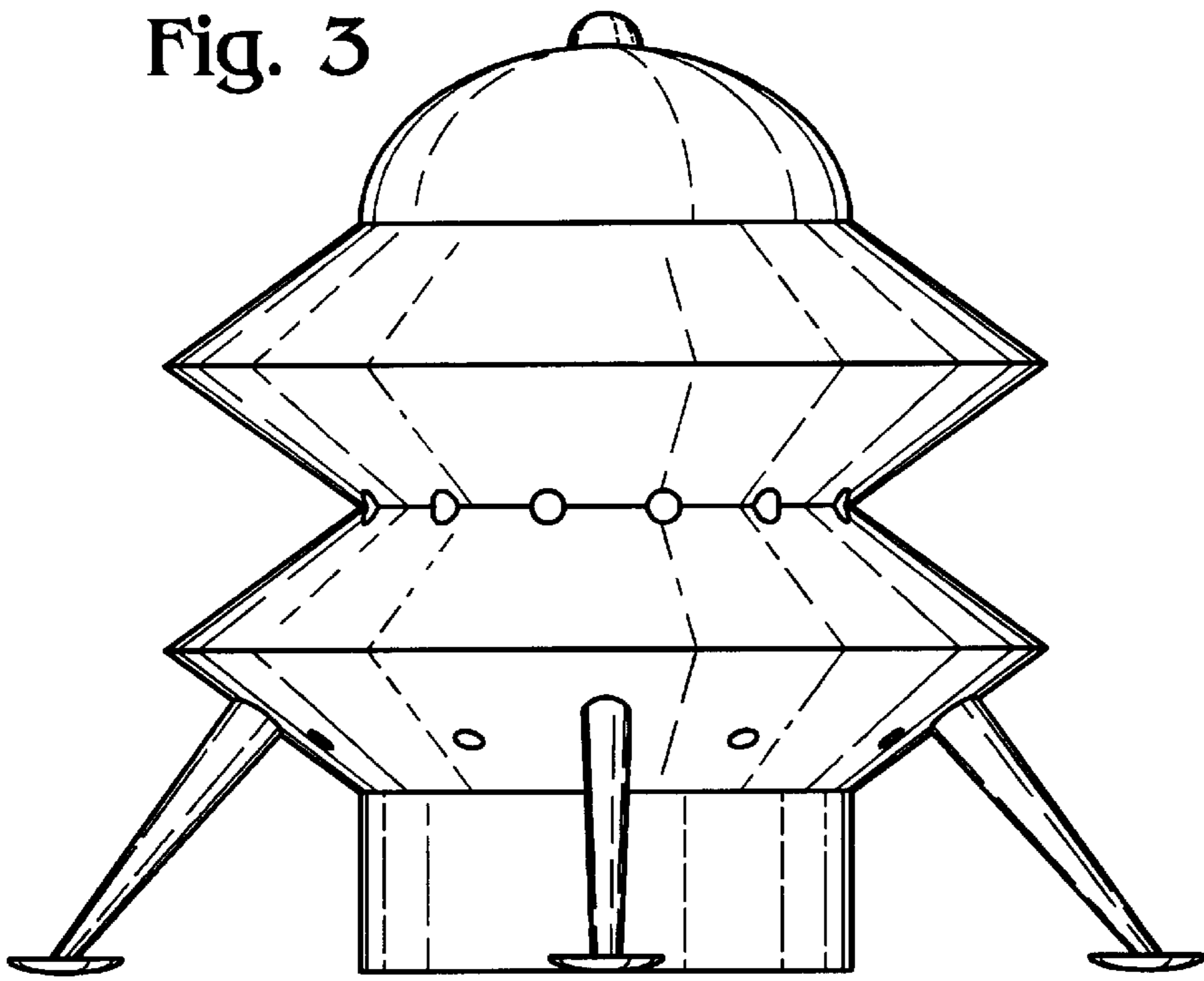


Fig. 4