



US00D421476S

# United States Patent [19]

**Knight et al.**

[11] **Patent Number: Des. 421,476**

[45] **Date of Patent: \*\* Mar. 7, 2000**

[54] **PERCUSSION DISC FOR MUZZLELOADING RIFLES**

[75] Inventors: **William A. Knight; L. Dale Watley,**  
both of Centerville, Iowa

[73] Assignee: **Ebsco Industries, Inc.,** Birmingham,  
Ala.

[\*\*] Term: **14 Years**

[21] Appl. No.: **29/082,023**

[22] Filed: **Jan. 13, 1998**

### Related U.S. Application Data

[63] Continuation-in-part of application No. 29/068,298, Mar. 27, 1997, abandoned, which is a continuation-in-part of application No. 29/061,045, Oct. 15, 1996, abandoned.

[51] **LOC (6) Cl. .... 22-01**

[52] **U.S. Cl. .... D22/108; D22/100; D22/199**

[58] **Field of Search .... D22/100, 108,**  
D22/111, 199; 42/51; 89/1.3

### [56] References Cited

#### U.S. PATENT DOCUMENTS

D. 285,238	8/1986	Cellini .....	D22/108
D. 296,350	6/1988	Cellini .....	D22/108
D. 380,249	6/1997	Bingham et al. ....	D22/100 X
D. 390,302	2/1998	Bullock .....	D22/100 X
1,277,669	9/1918	Viven et al. ....	89/1.3
3,608,422	9/1971	Bretnor .....	89/1.3
5,016,379	5/1991	Lambert .....	42/51

*Primary Examiner*—Louis S. Zarfaz

*Assistant Examiner*—Monica A. Weingart

*Attorney, Agent, or Firm*—Zarley, McKee, Thomte,  
Voorhees & Sease

### [57] CLAIM

We claim the ornamental design for a percussion disc for muzzleloading rifles, as shown.

### DESCRIPTION

FIG. 1 is a perspective view of a preferred embodiment of

a percussion disc for muzzleloading rifles showing our new design;

FIG. 2 is a front elevational view thereof;

FIG. 3 is a side elevational view thereof;

FIG. 4 is a top plan view thereof;

FIG. 5 is a bottom plan view thereof;

FIG. 6 is a rearward perspective view thereof; and

FIG. 7 is a rearward elevational view thereof.

FIG. 8 is a first alternate perspective view of a percussion disc for muzzleloading rifles showing our new design;

FIG. 9 is a front elevational view thereof;

FIG. 10 is a side elevational view thereof;

FIG. 11 is a top plan view thereof;

FIG. 12 is a bottom plan view thereof;

FIG. 13 is a rearward perspective view thereof; and

FIG. 14 is a rearward elevational view thereof.

FIG. 15 is a second alternate perspective view of a percussion disc for muzzleloading rifles showing our new design;

FIG. 16 is a front elevational view thereof;

FIG. 17 is a side elevational view thereof;

FIG. 18 is a top plan view thereof;

FIG. 19 is a bottom plan view thereof;

FIG. 20 is a rearward perspective view thereof; and

FIG. 21 is a rearward elevational view thereof.

FIG. 22 is a third alternate perspective view of a percussion disc for muzzleloading rifles showing our new design;

FIG. 23 is a front elevational view thereof;

FIG. 24 is a side elevational view thereof;

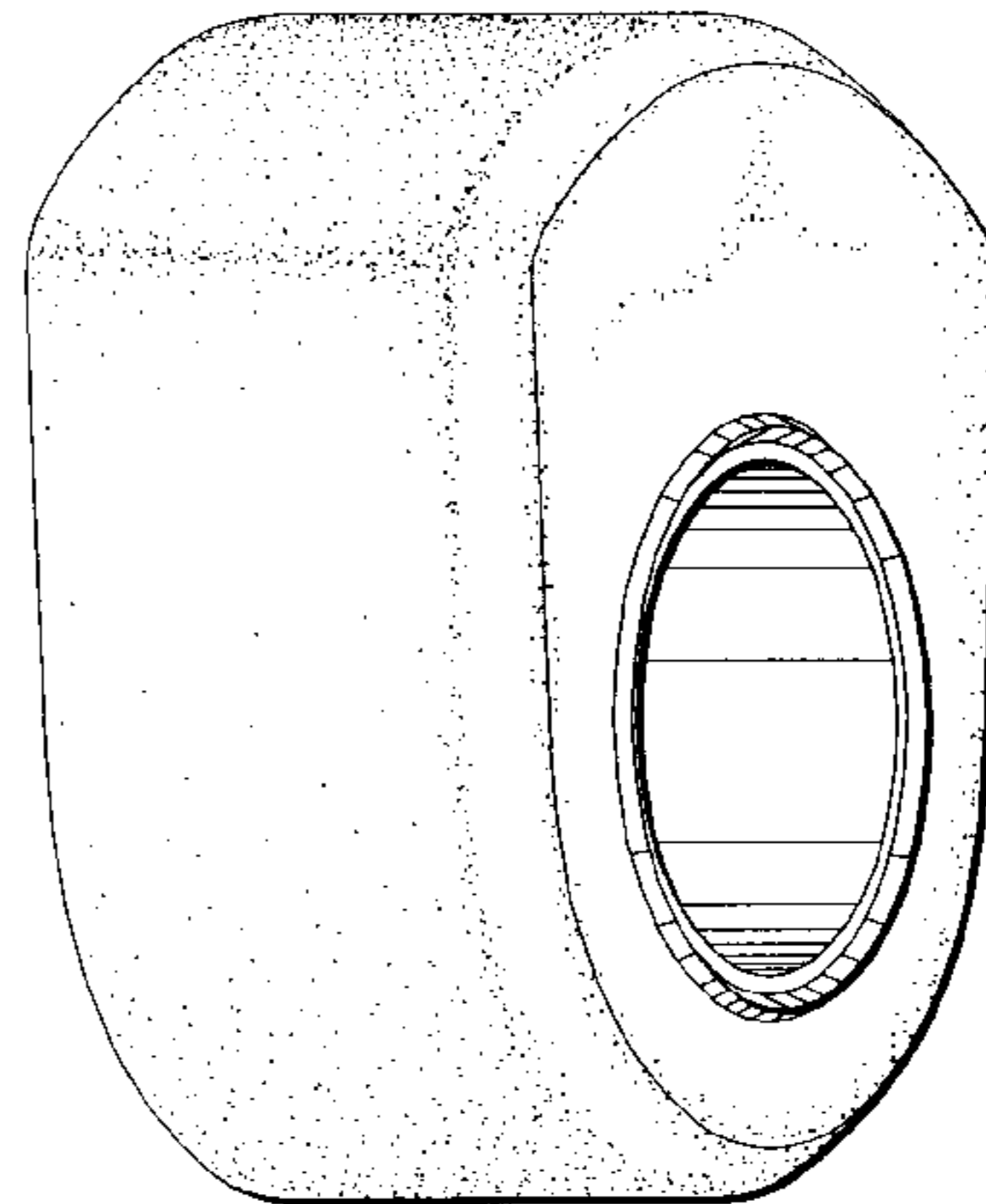
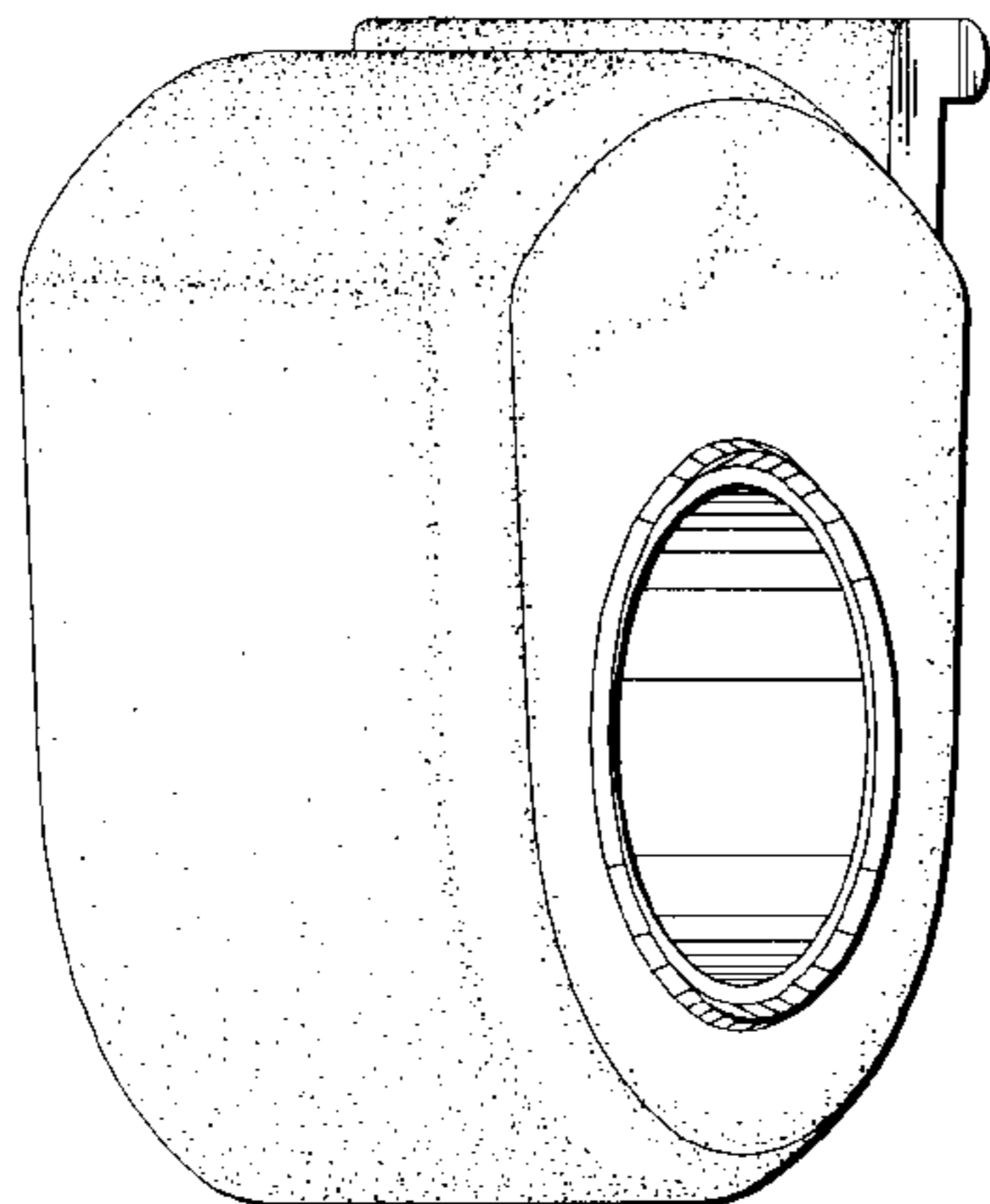
FIG. 25 is a top plan view thereof;

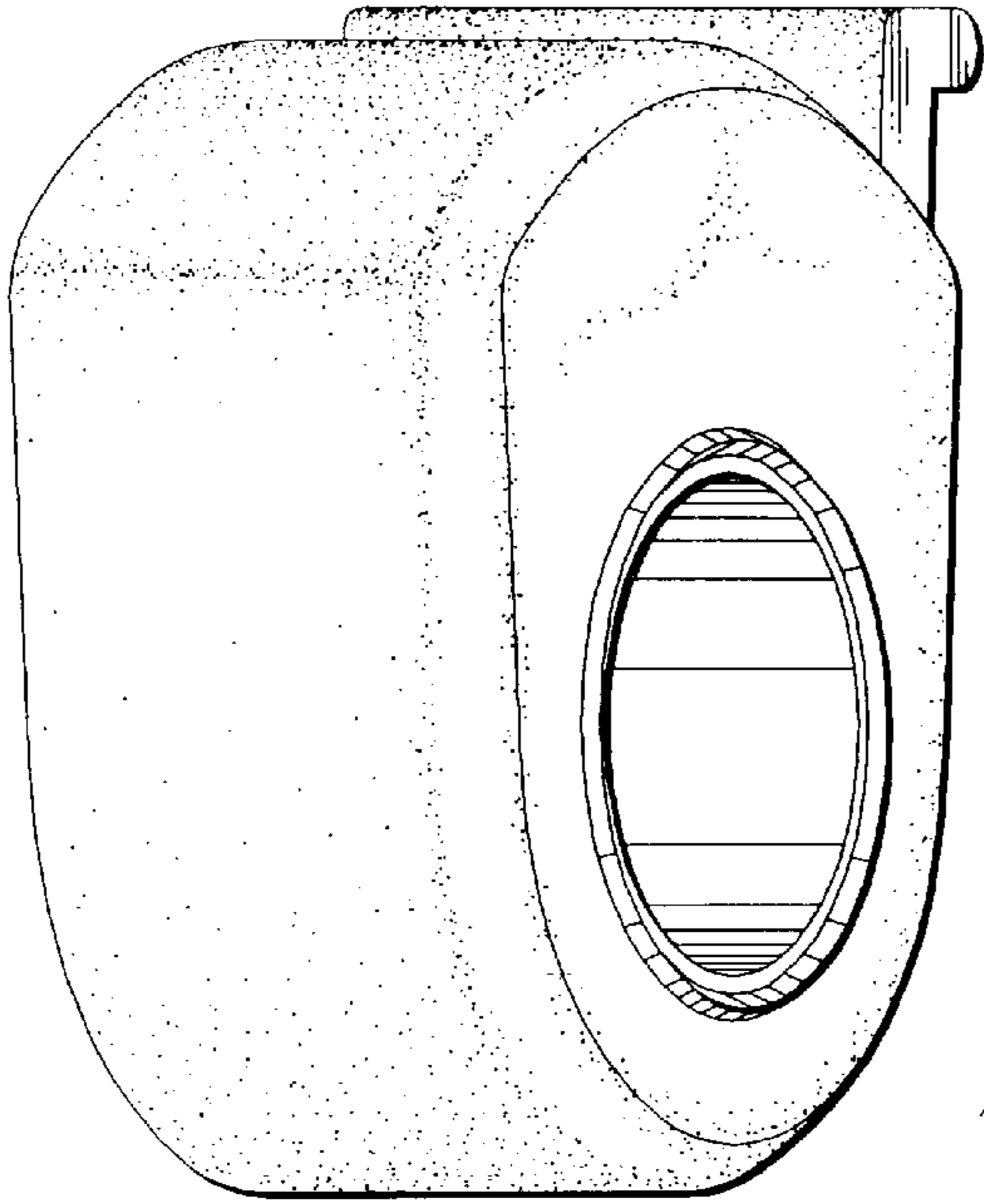
FIG. 26 is a bottom plan view thereof;

FIG. 27 is a rearward perspective view thereof; and,

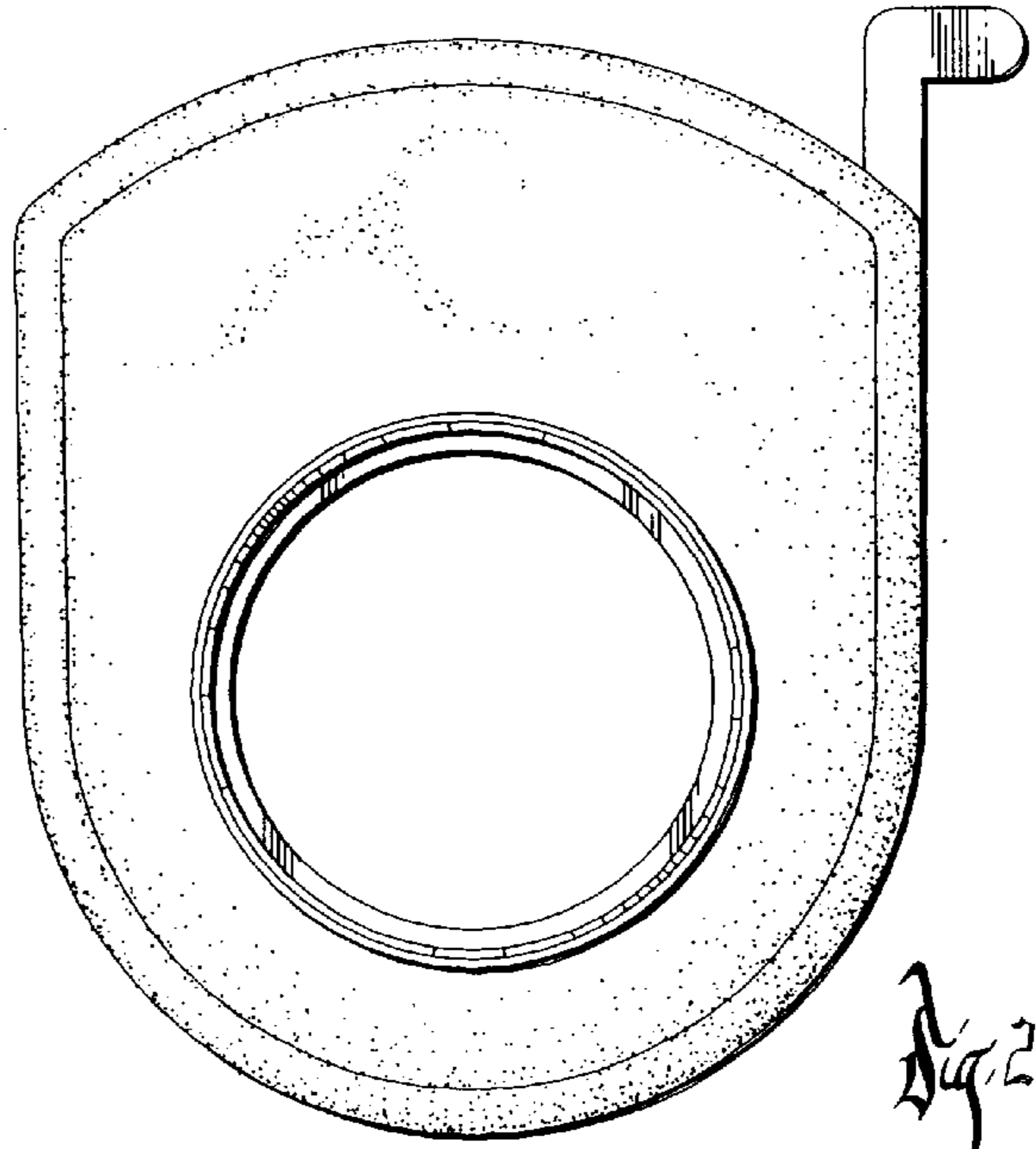
FIG. 28 is a rearward elevational view thereof.

**1 Claim, 8 Drawing Sheets**

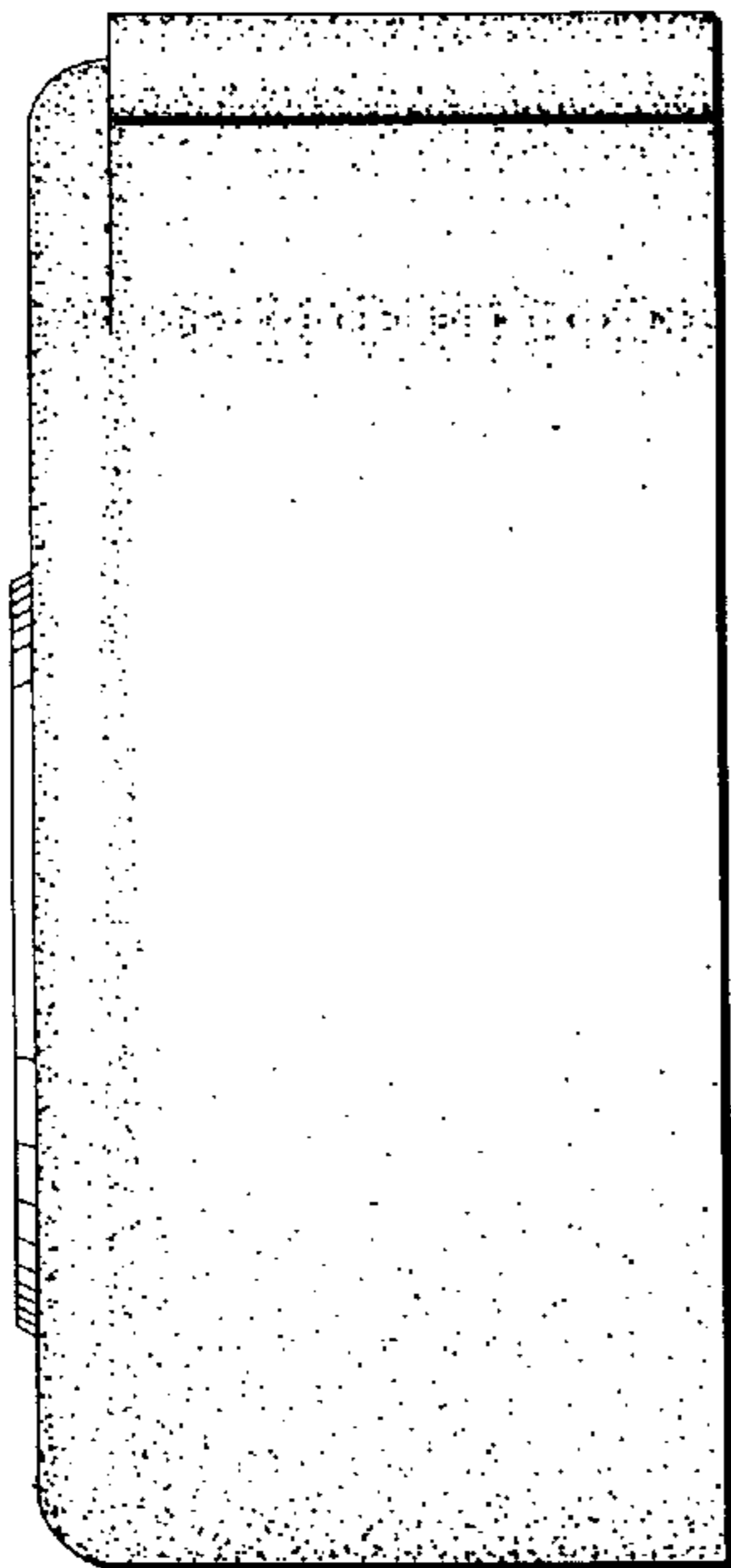




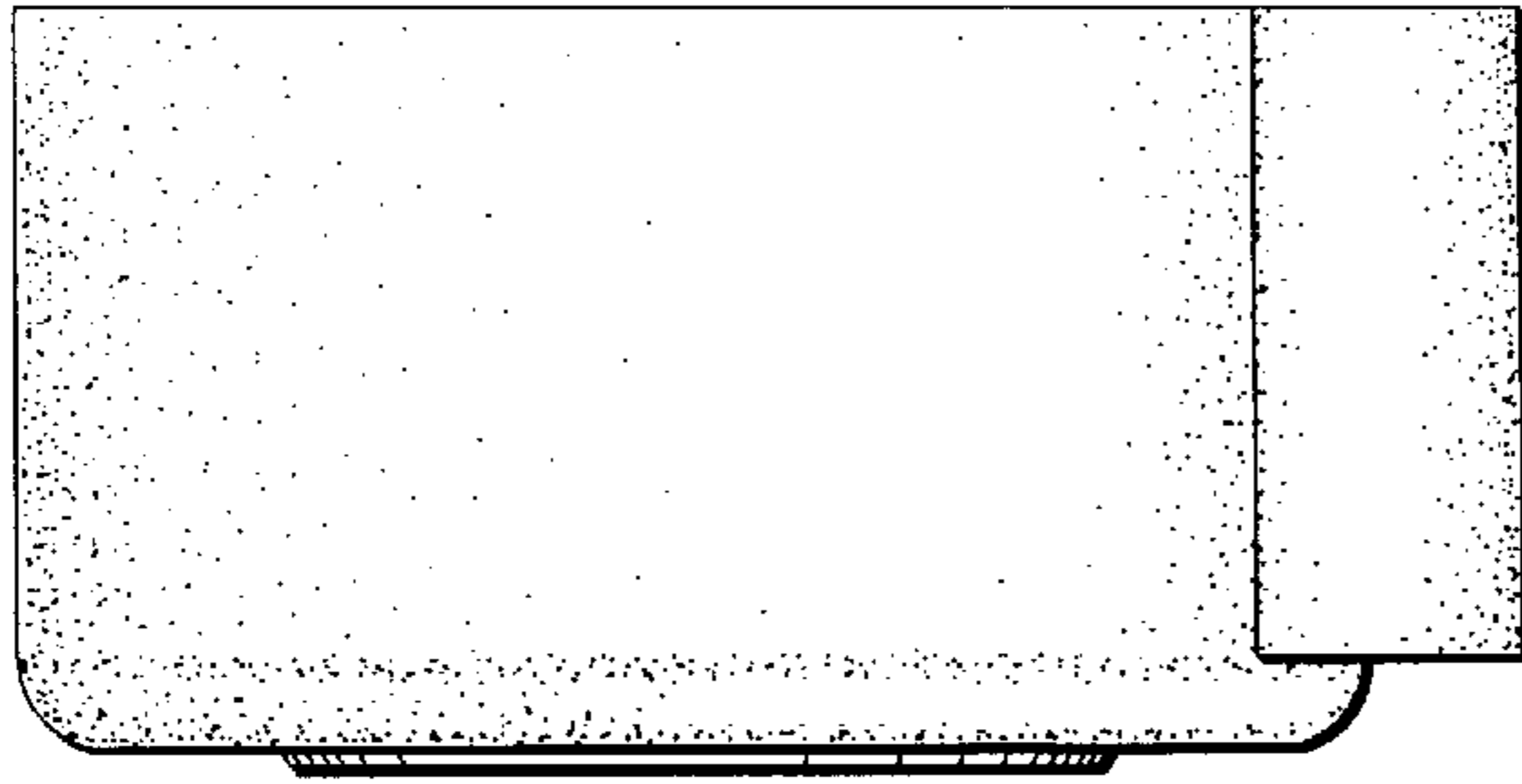
*Fig. 1*



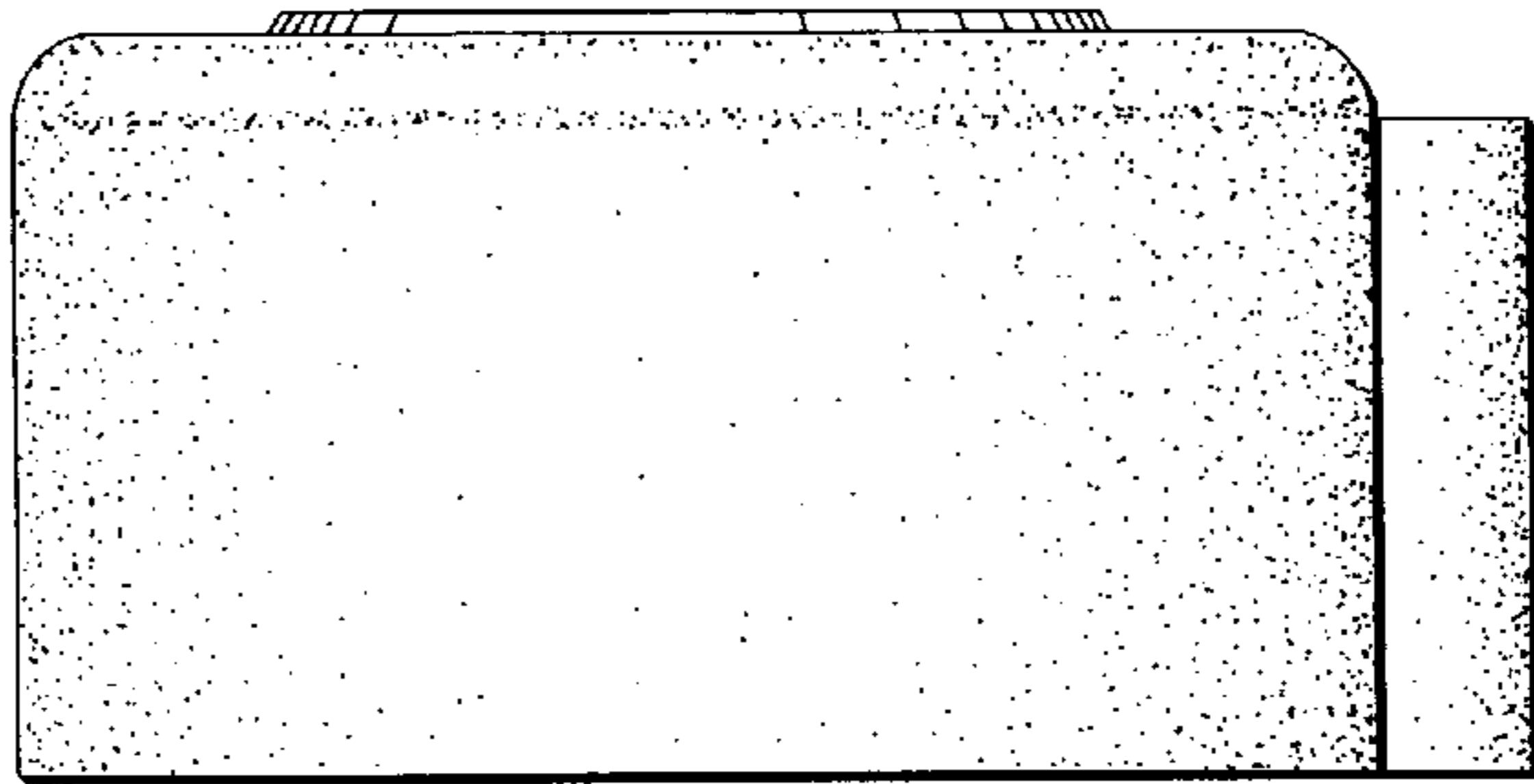
*Fig. 2*



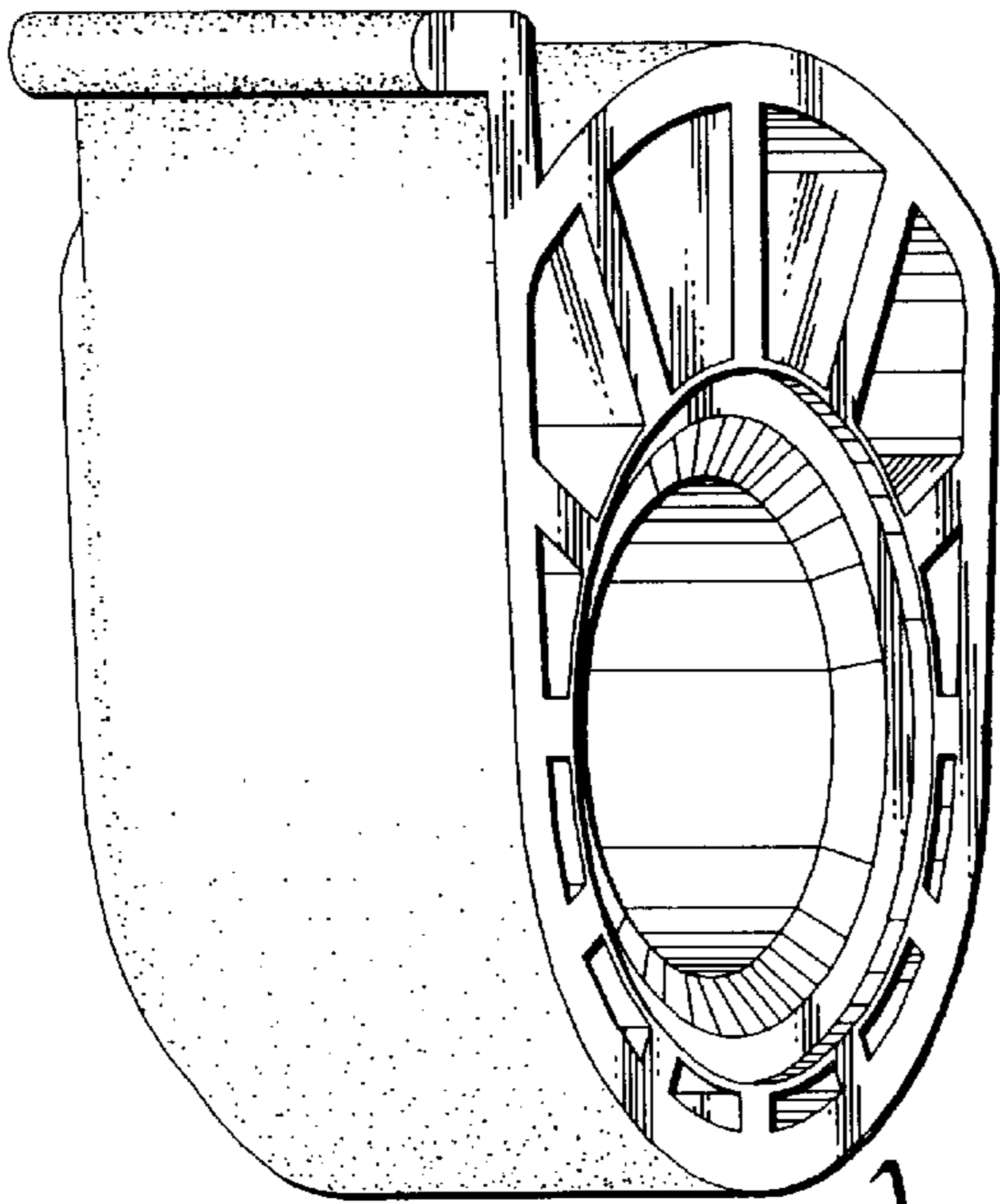
*Fig. 3*



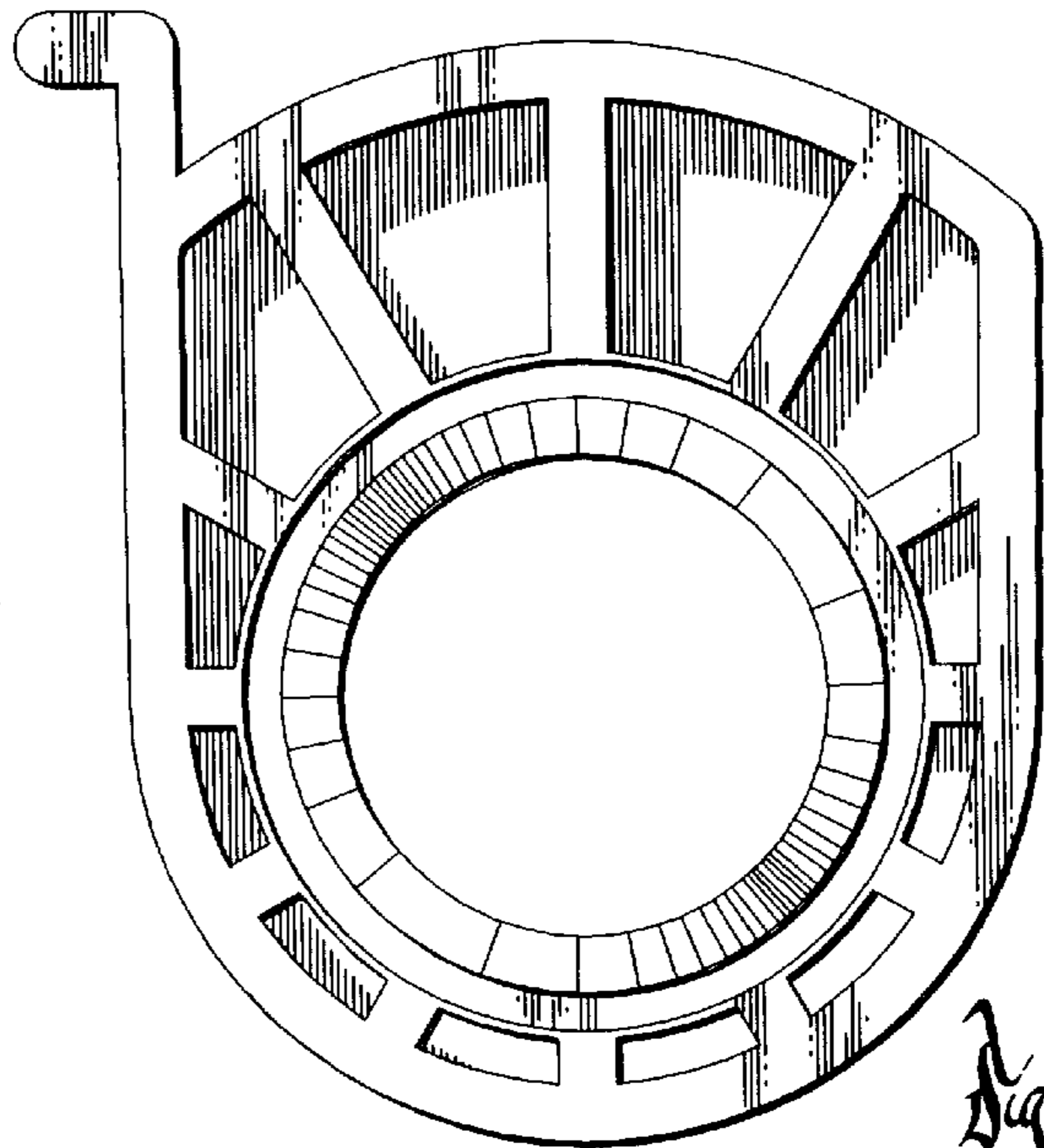
*Fig. 4*



*Fig. 5*



*Fig. 6*



*Fig. 7*

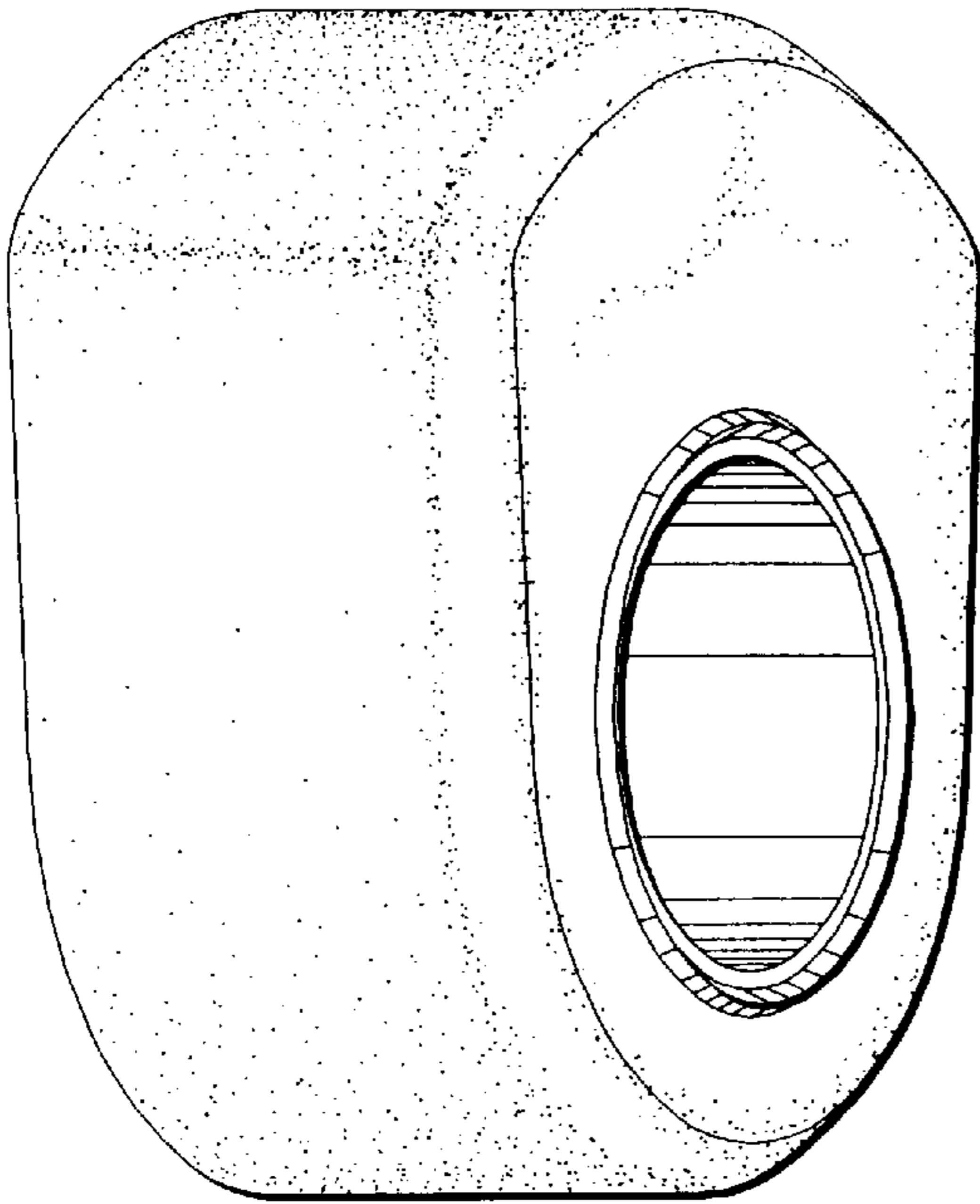


Fig. 8

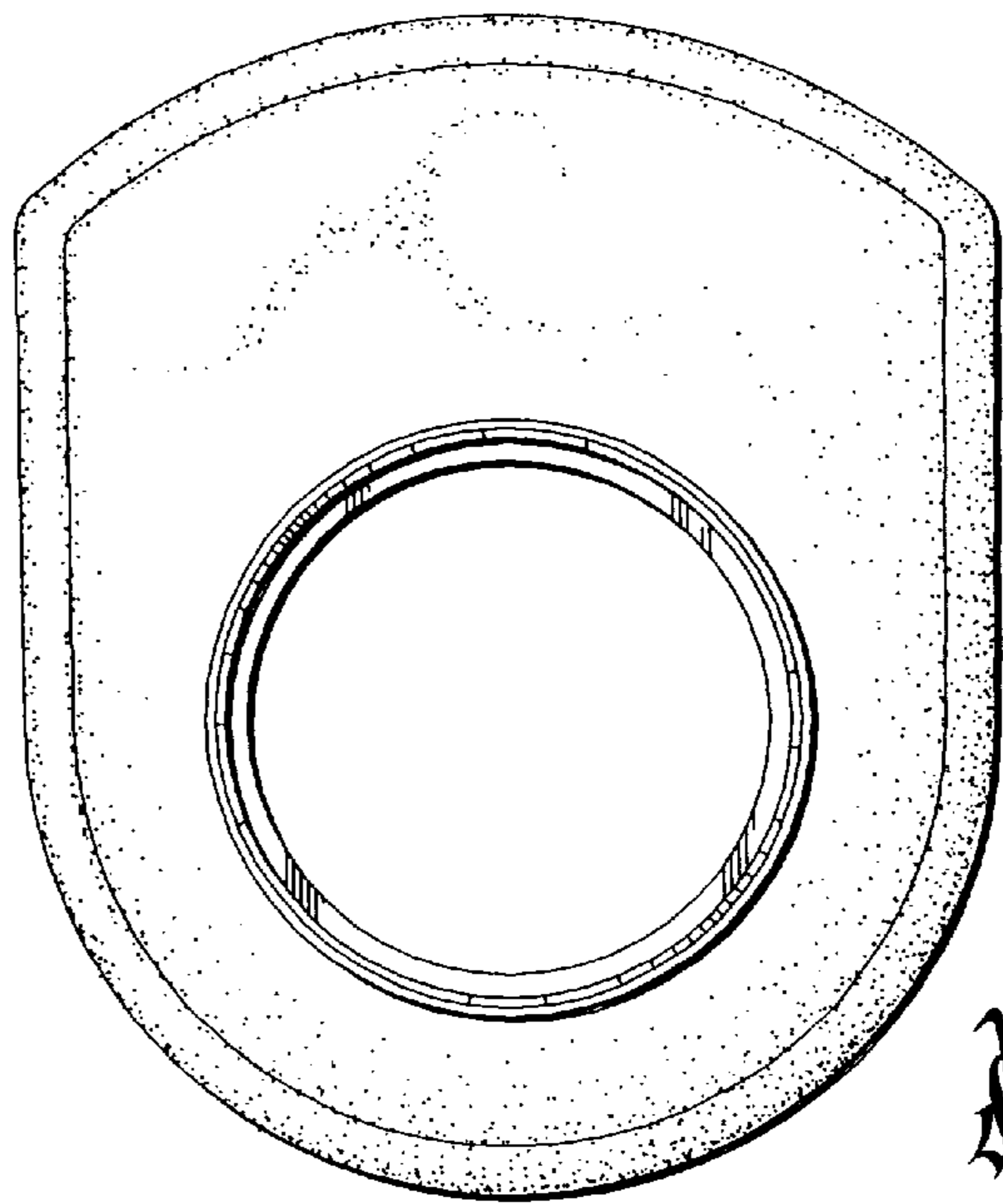


Fig. 9

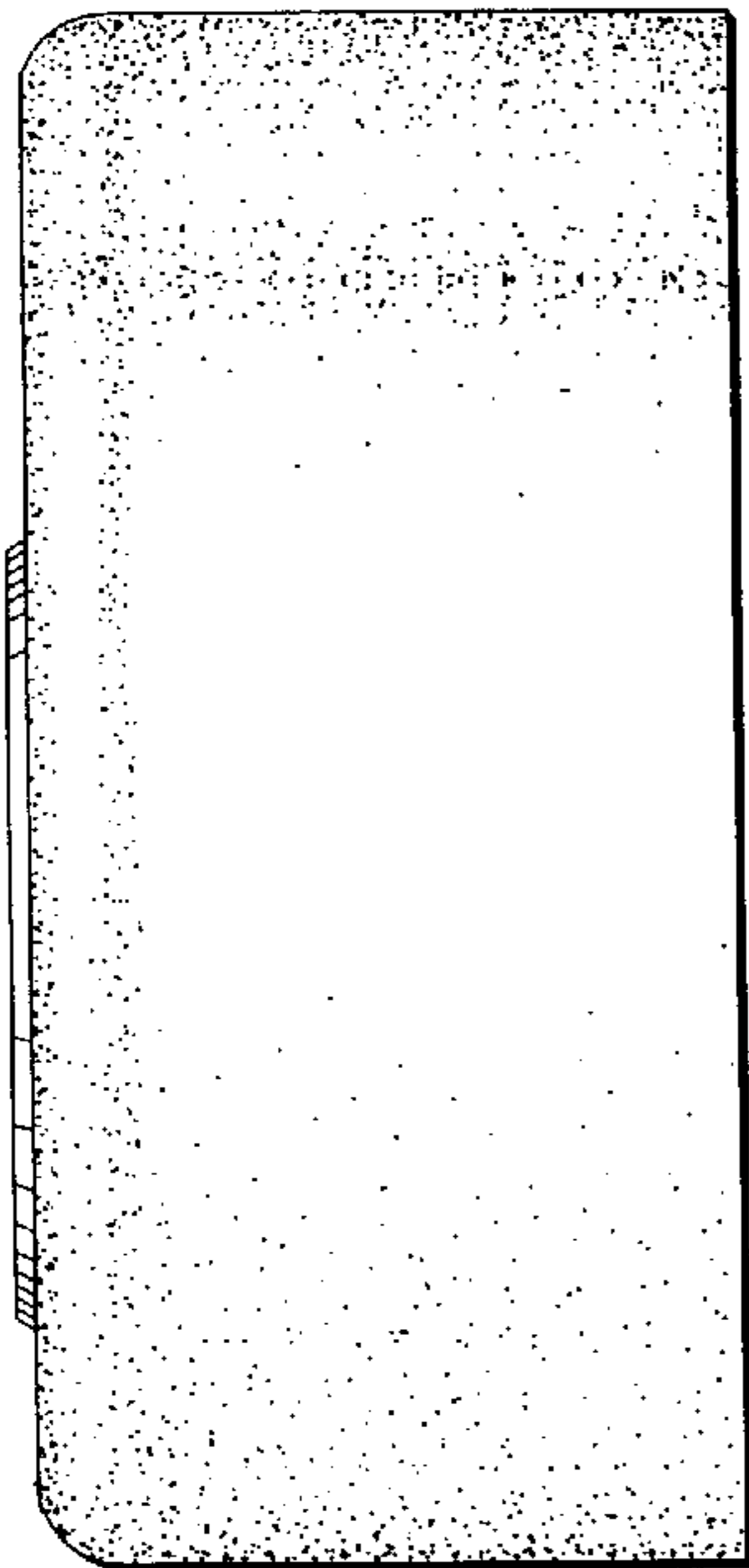


Fig. 10

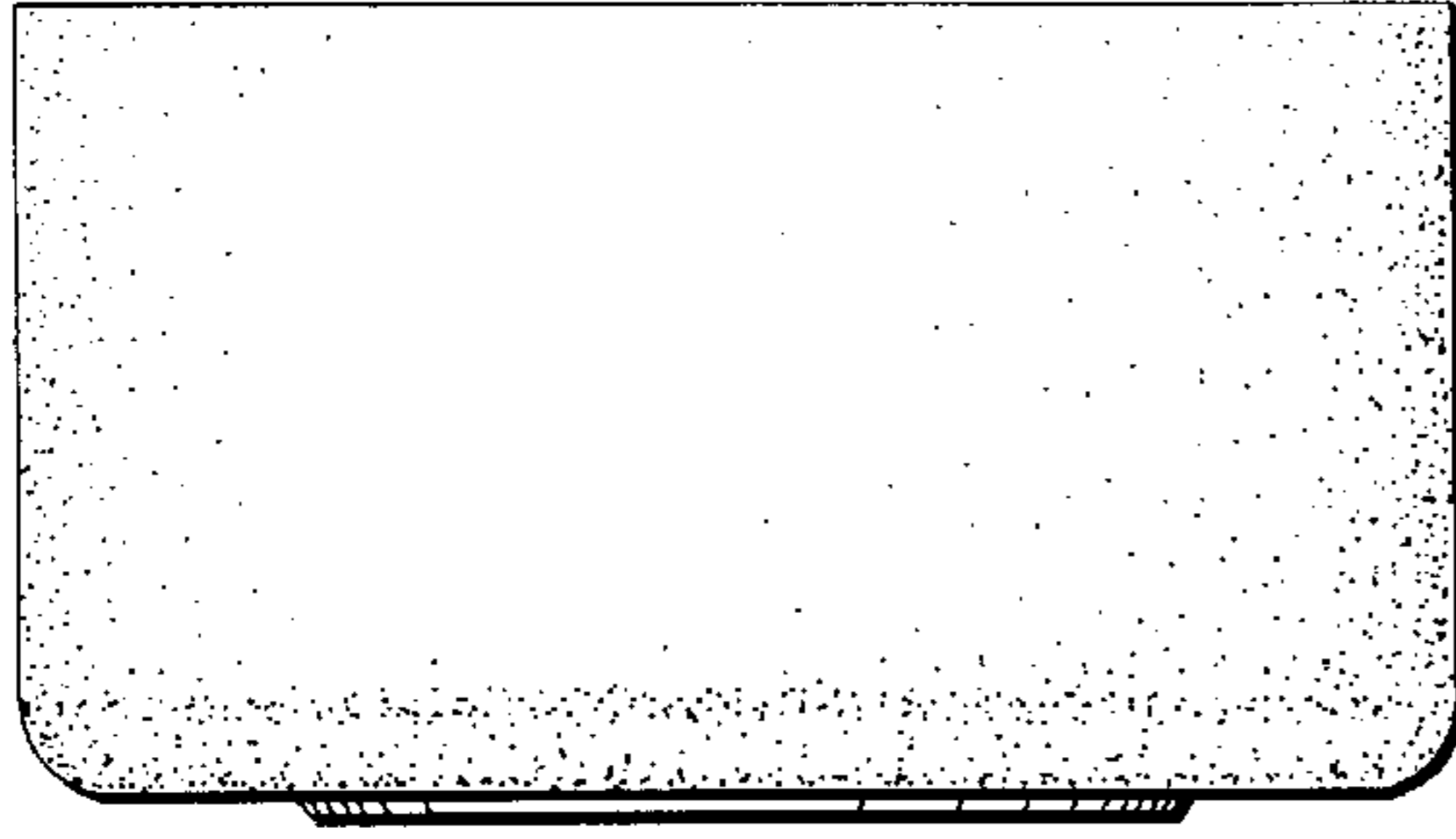


Fig. 11

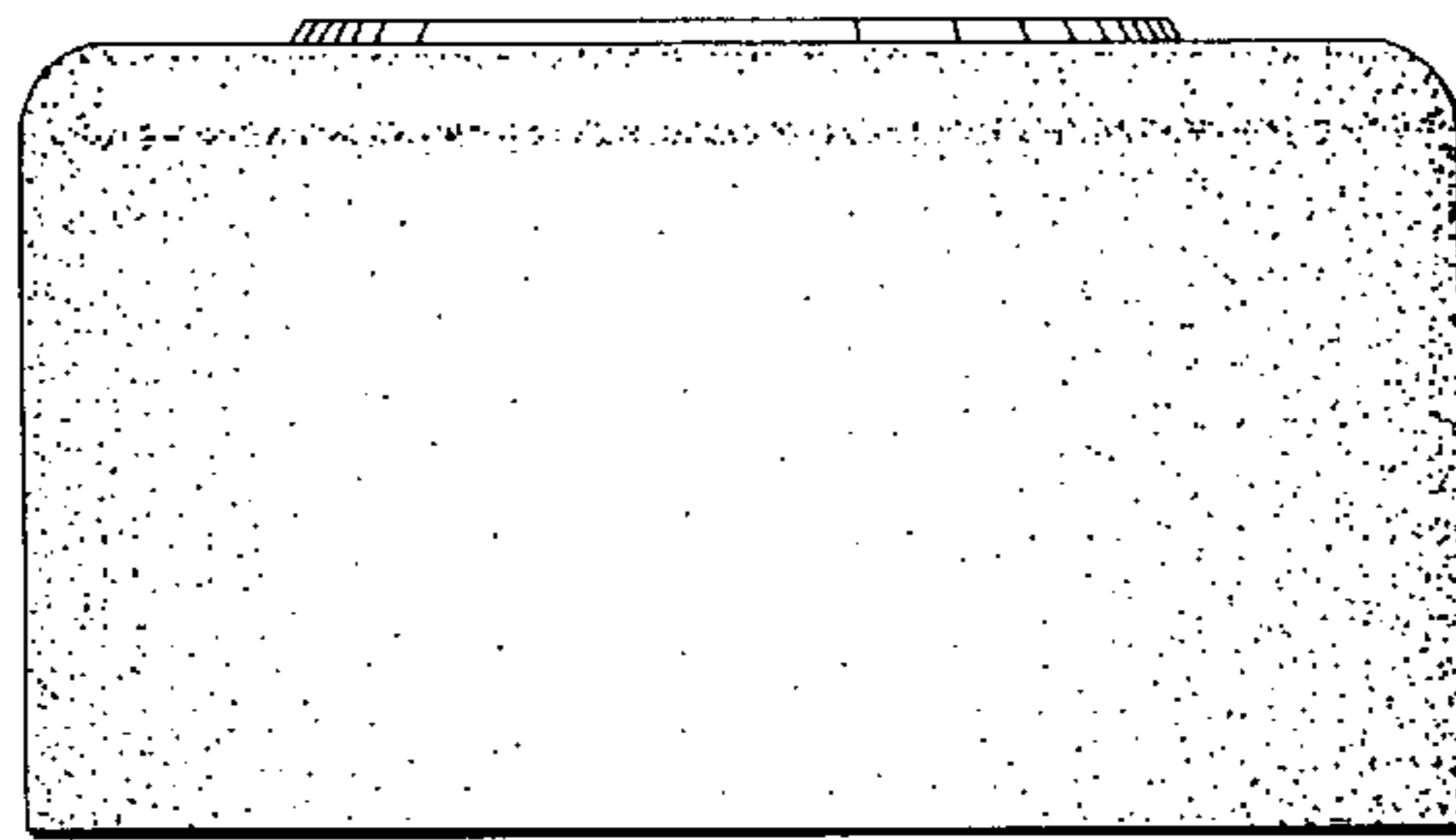


Fig. 12

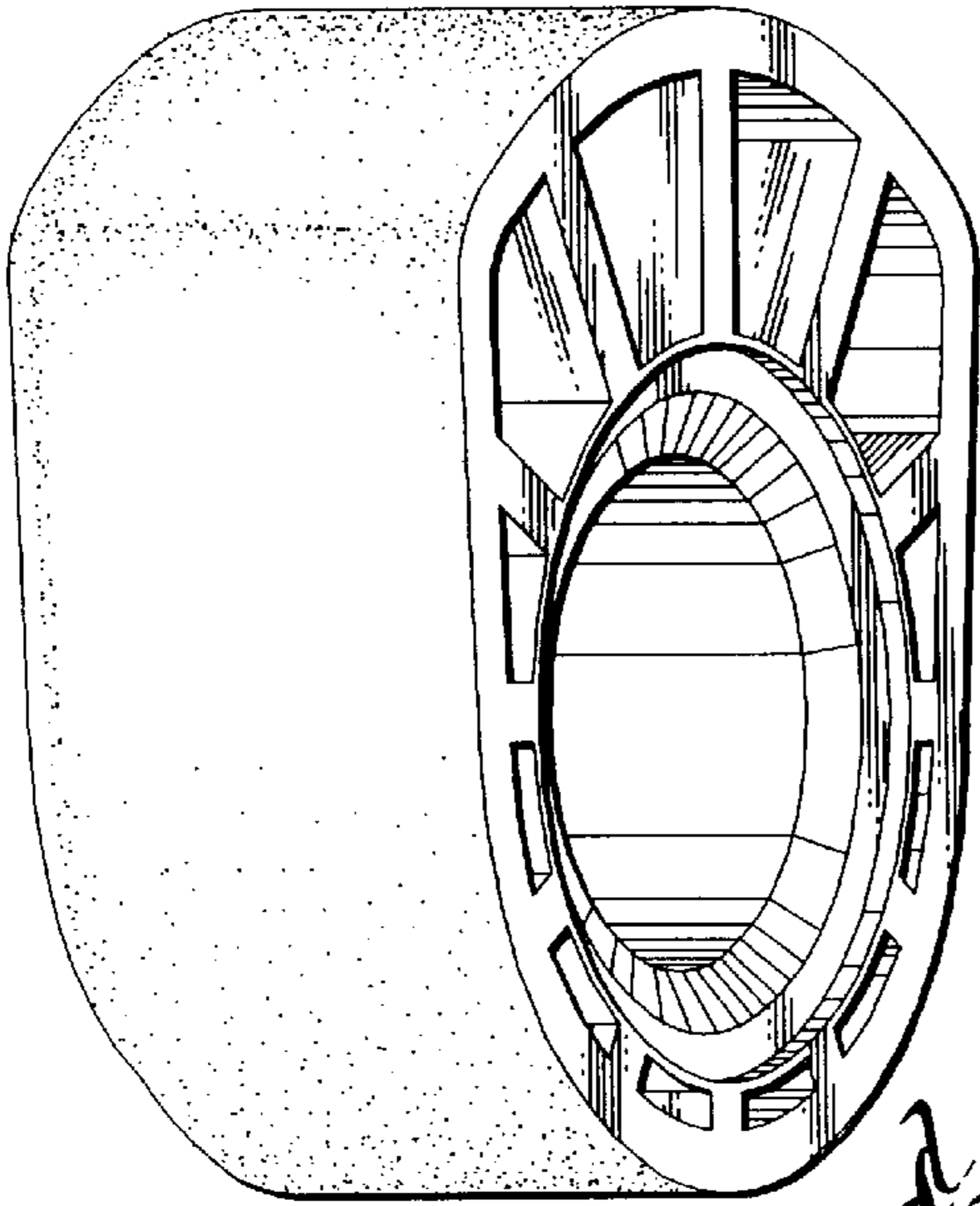


Fig. 13

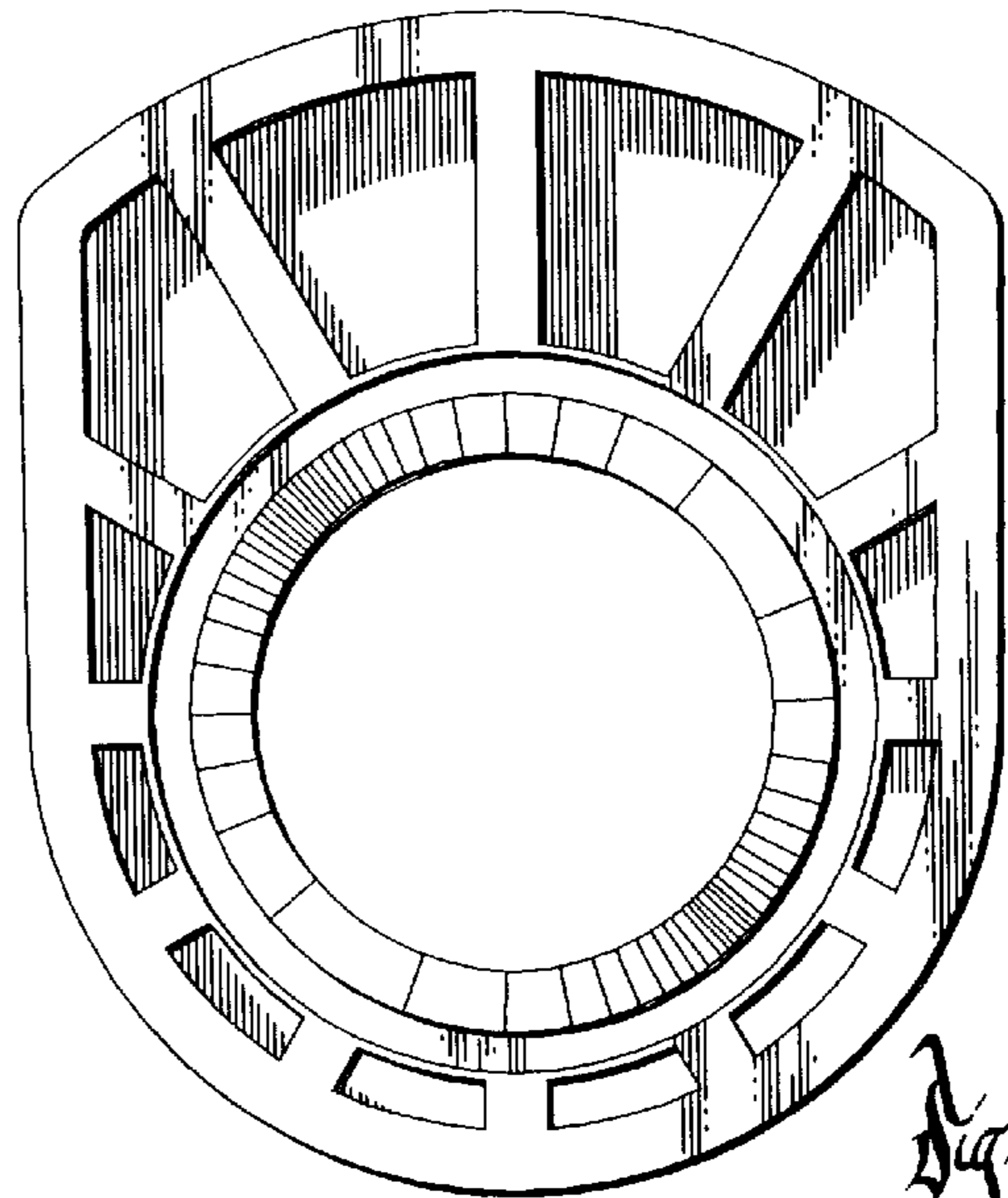
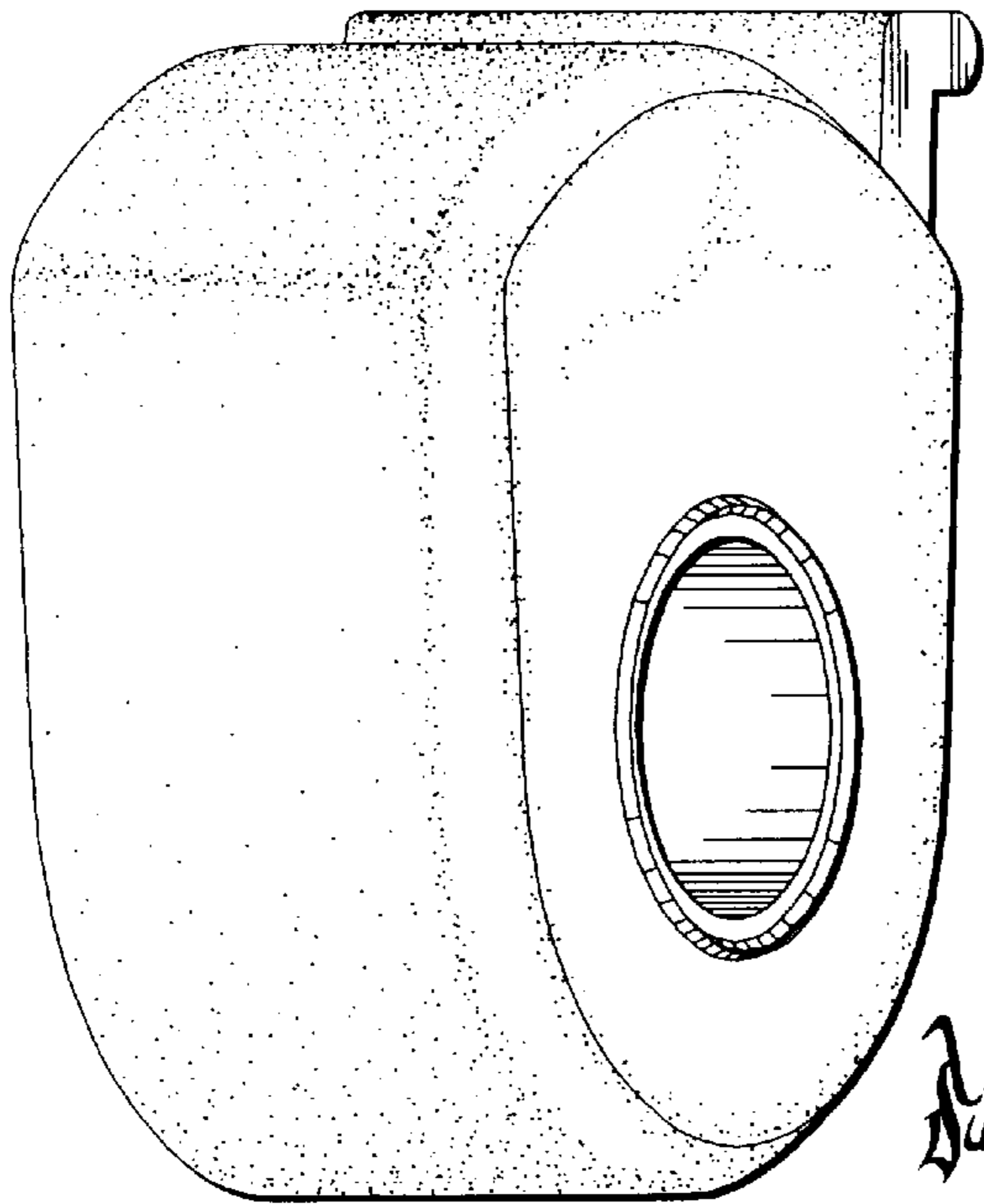
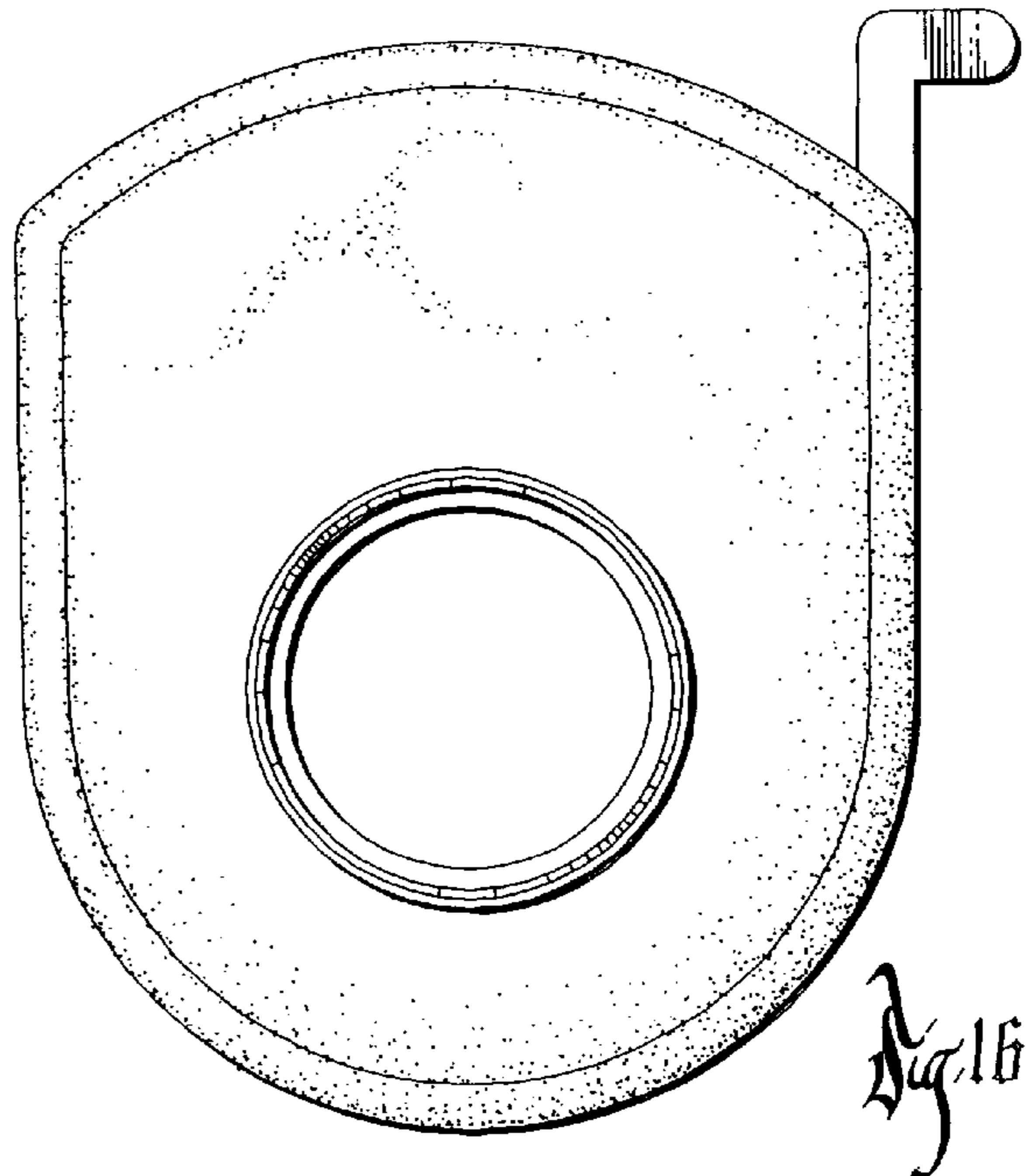


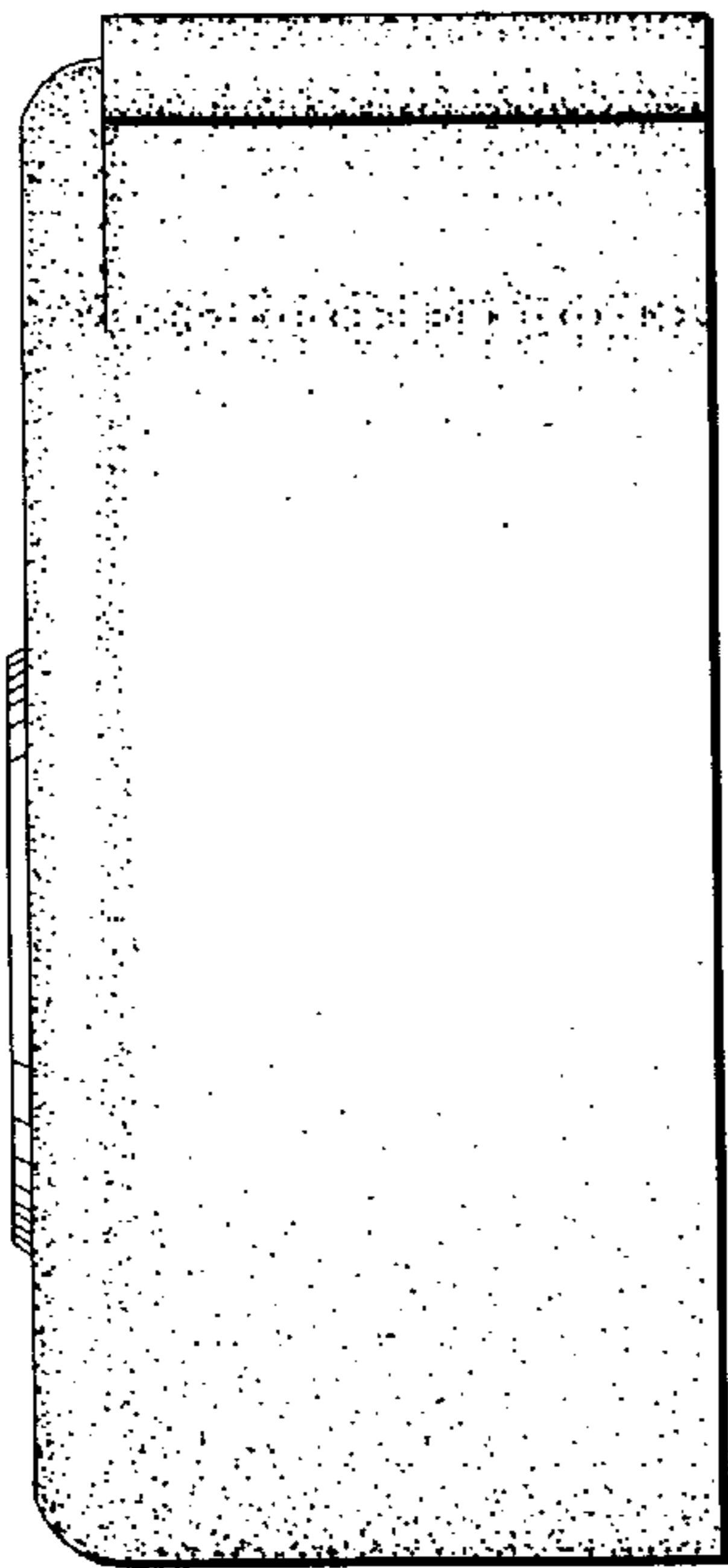
Fig. 14



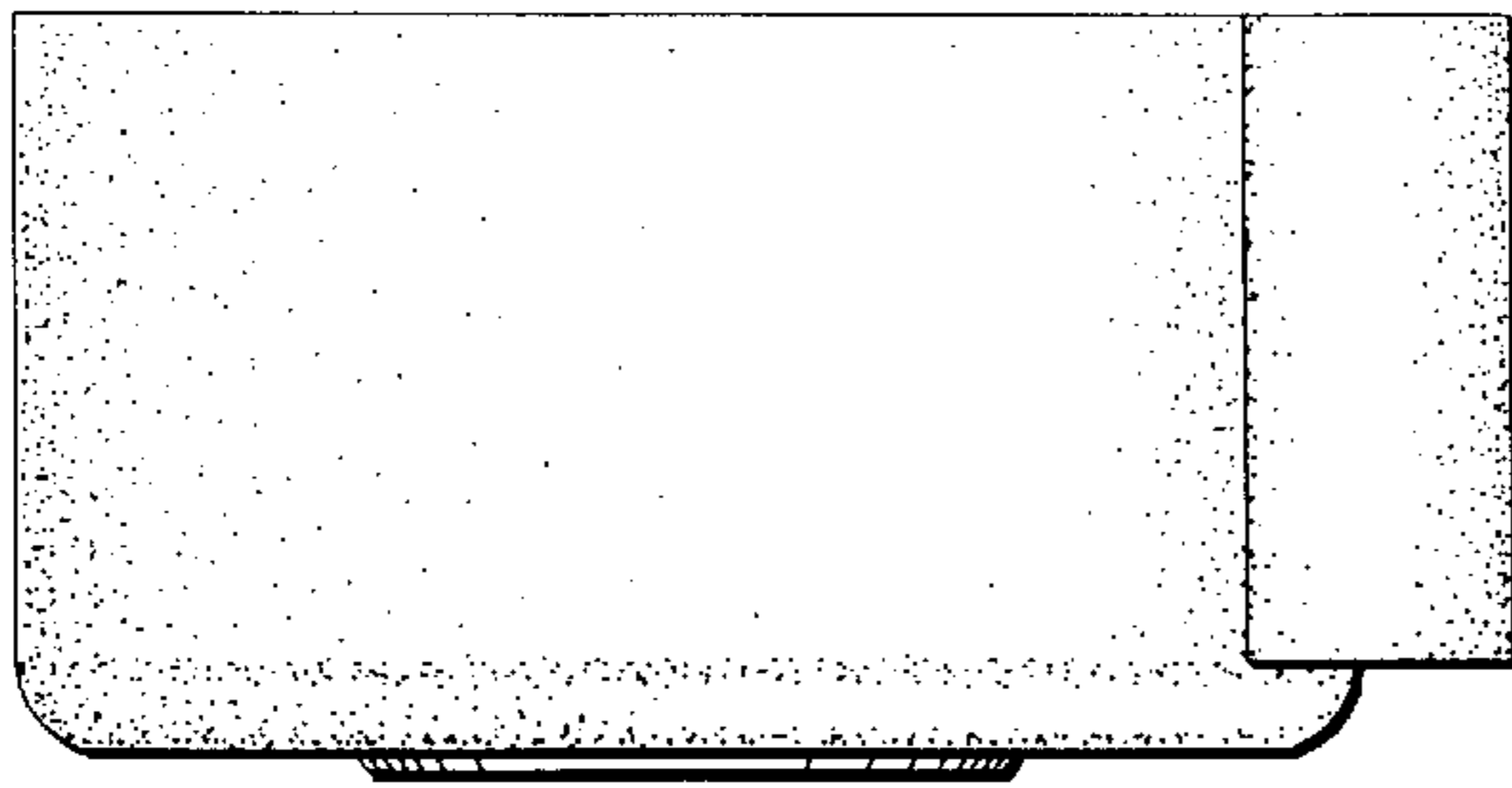
*Fig. 15*



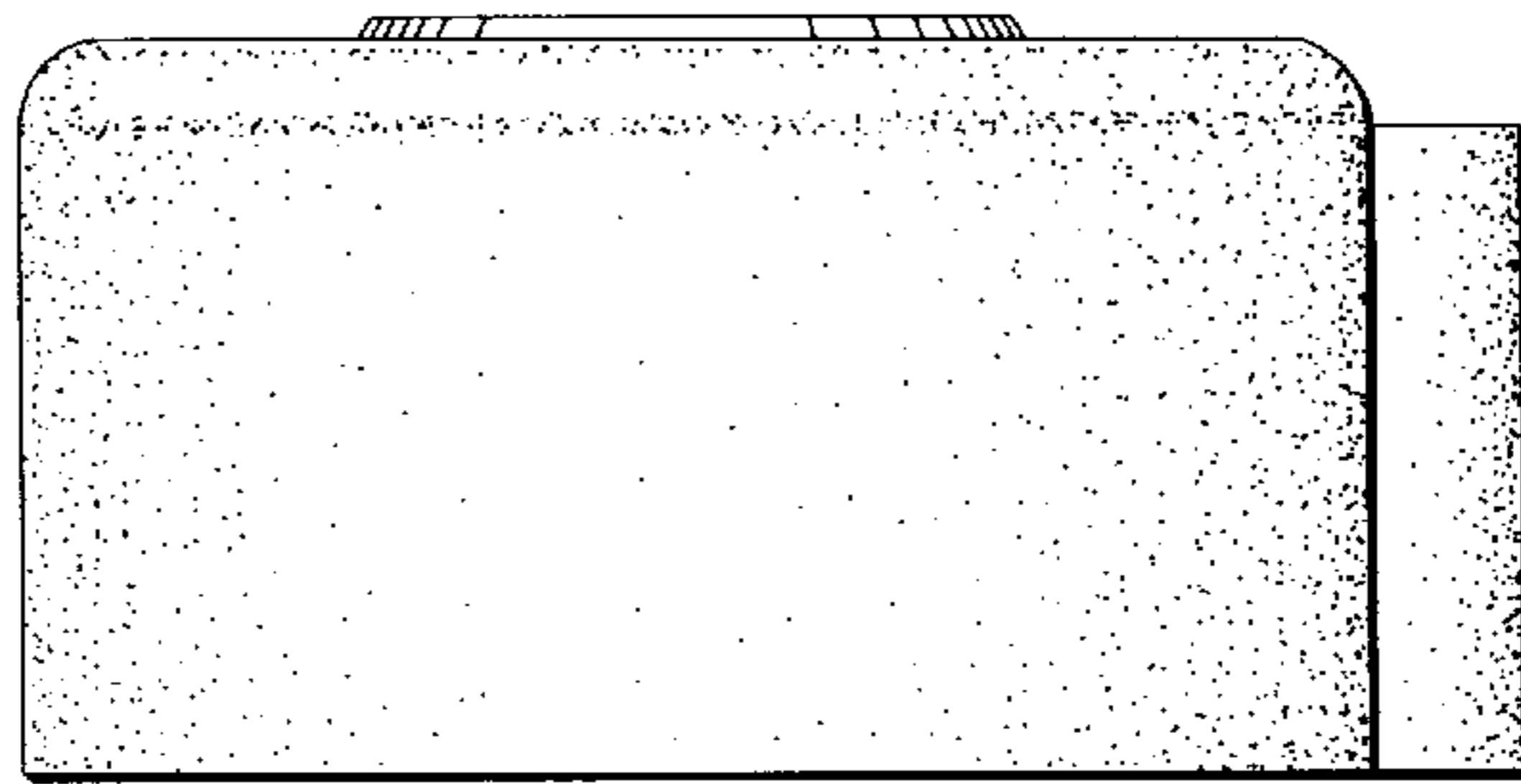
*Fig. 16*



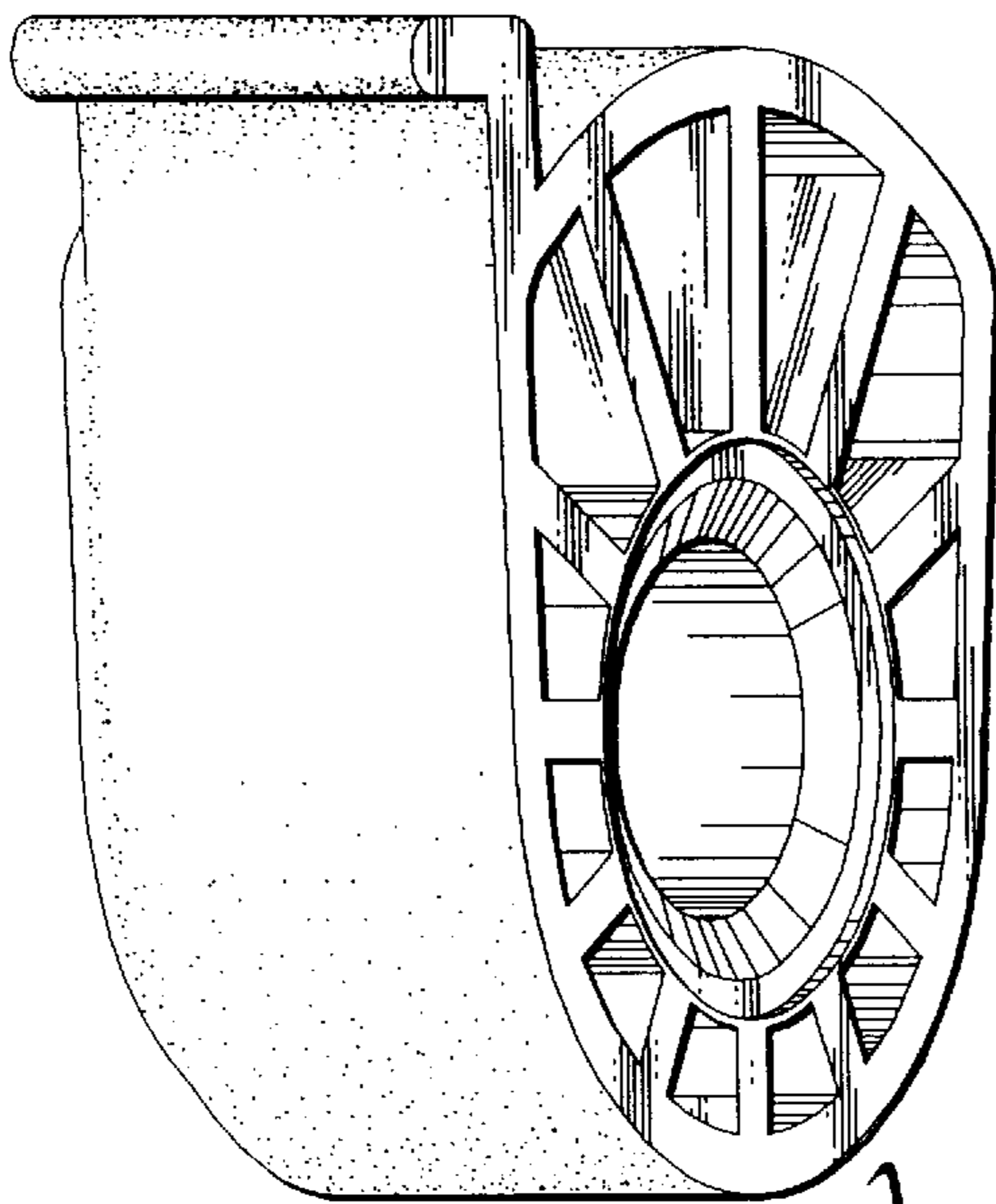
*Fig. 17*



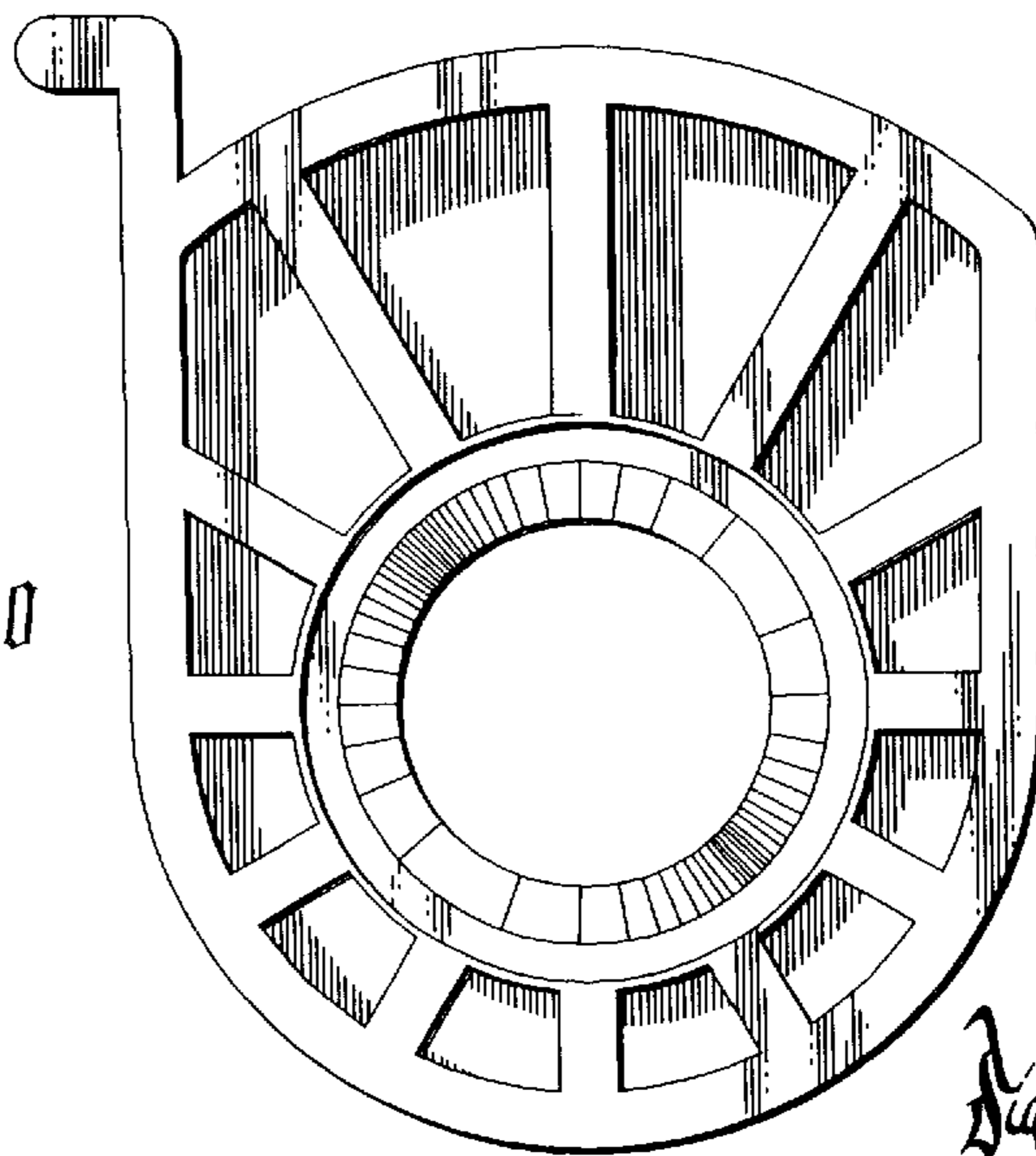
*Fig. 18*



*Fig. 19*



*Fig. 20*



*Fig. 21*

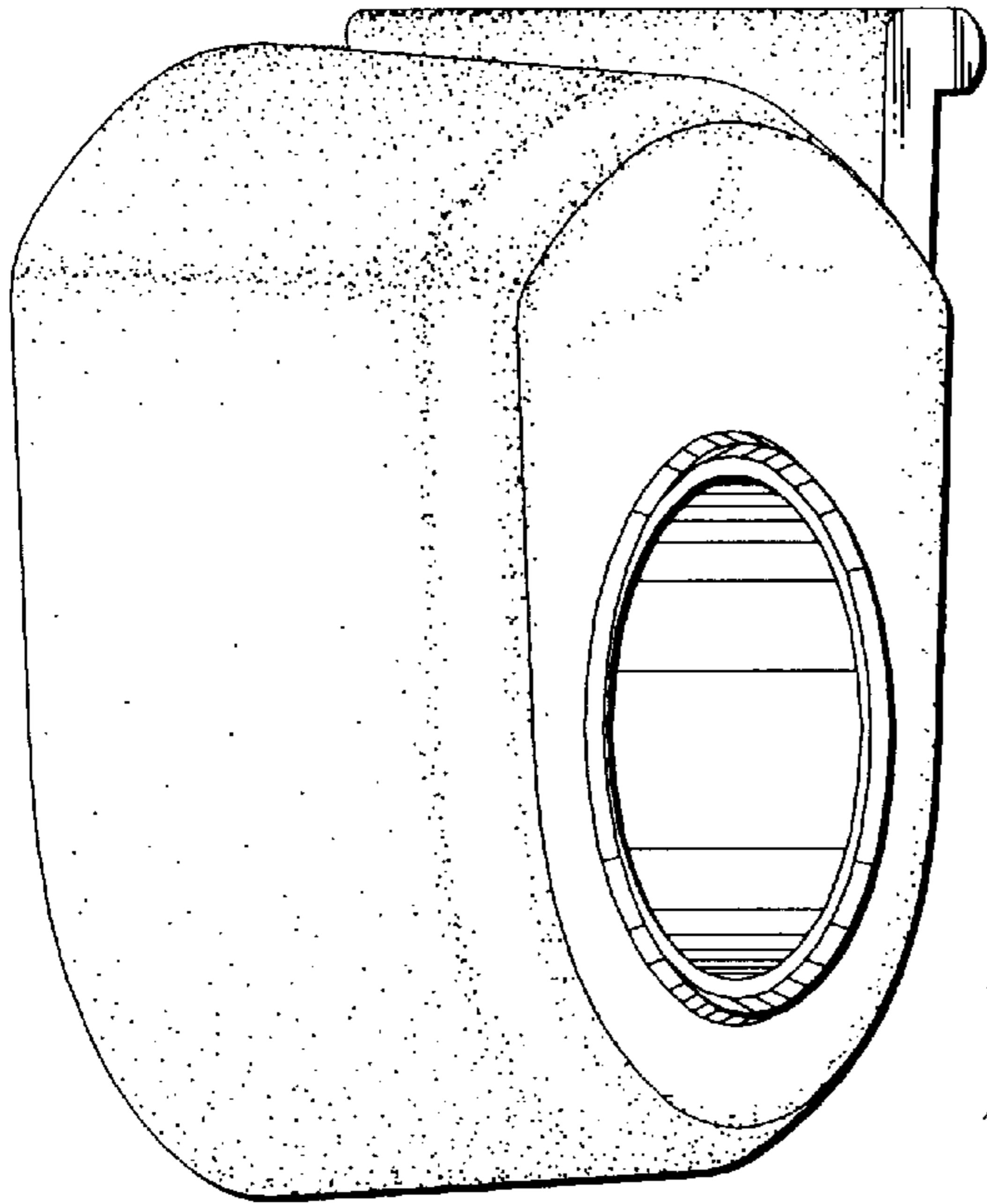


Fig. 22

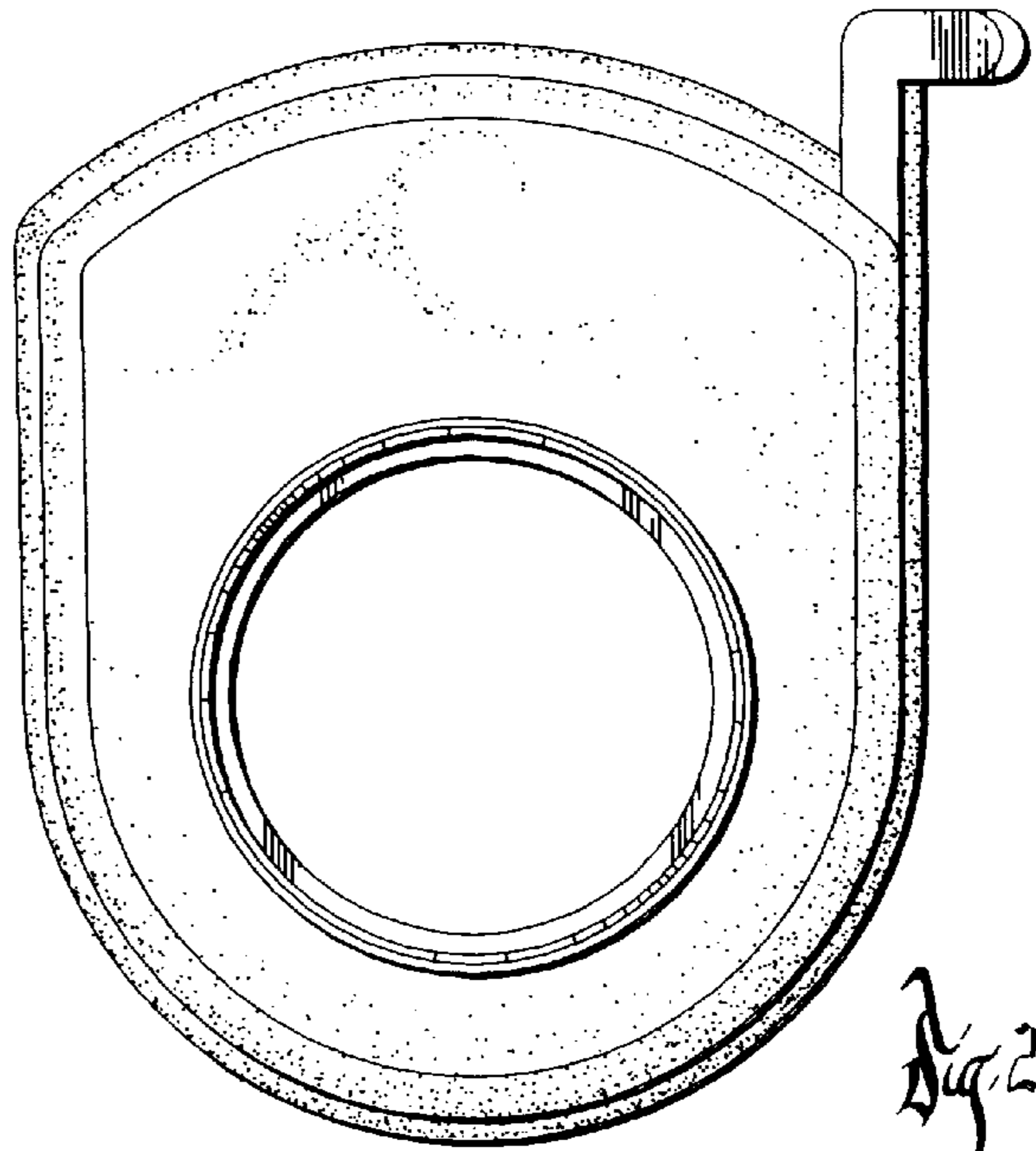


Fig. 23

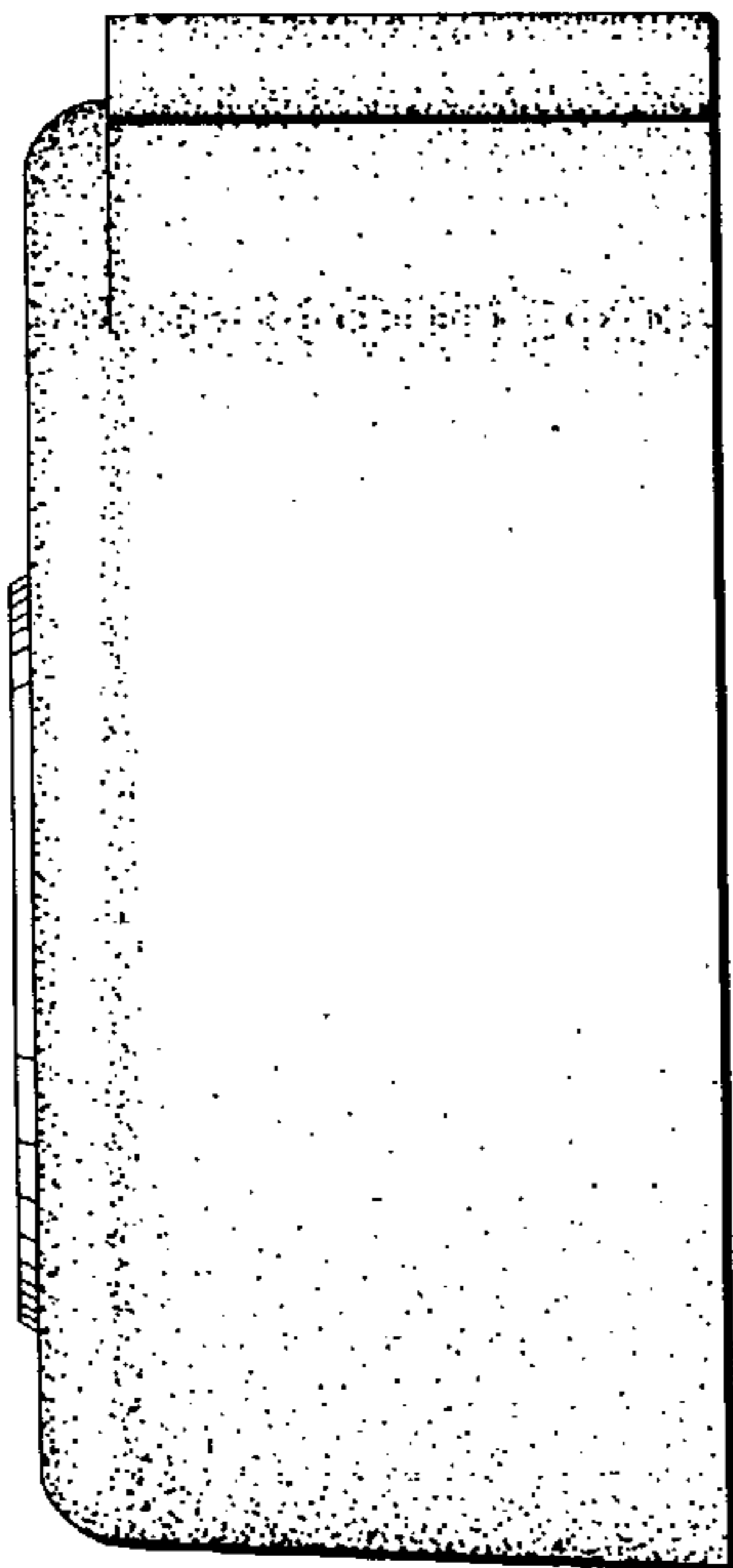


Fig. 24



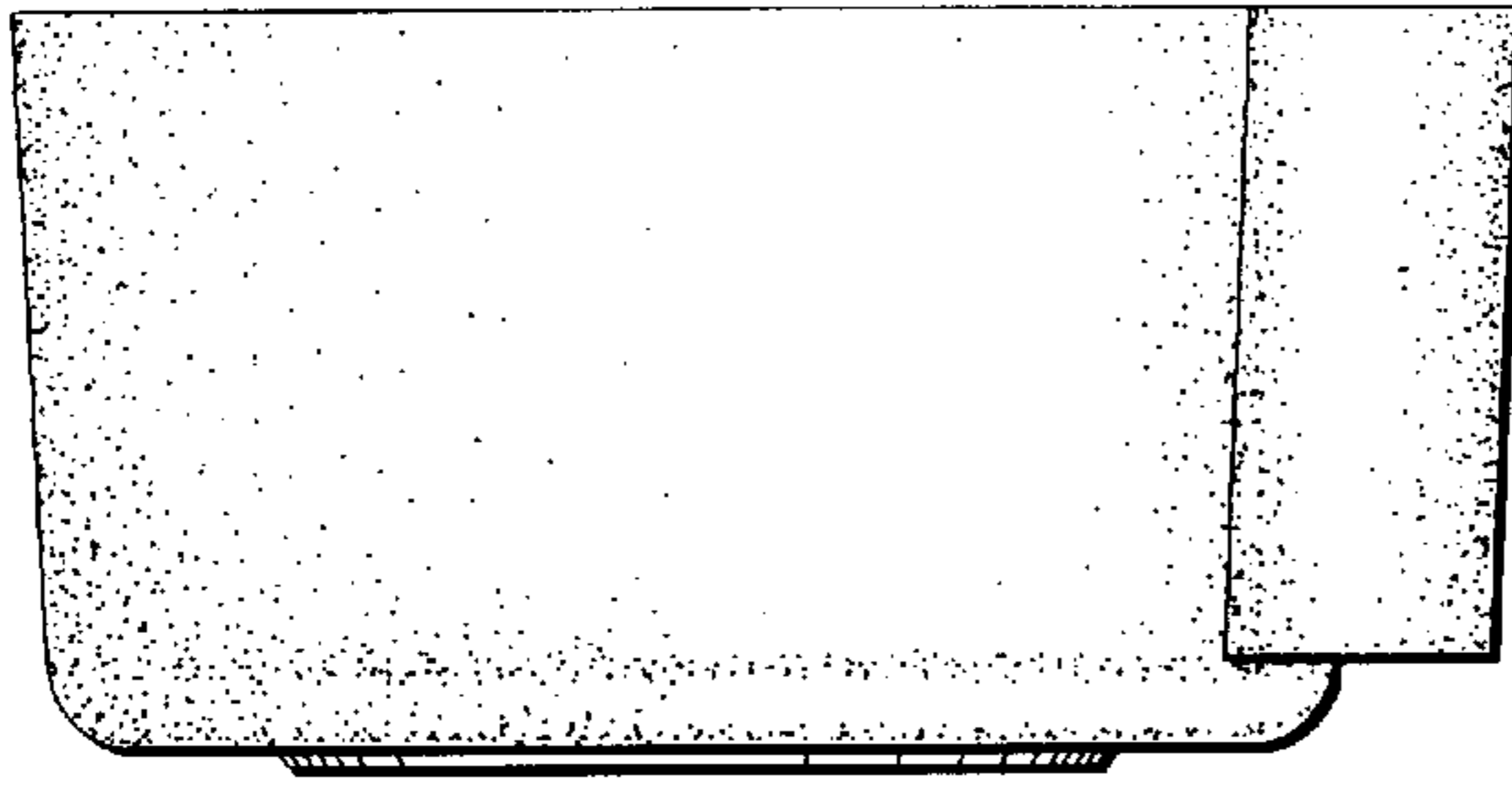


Fig. 25

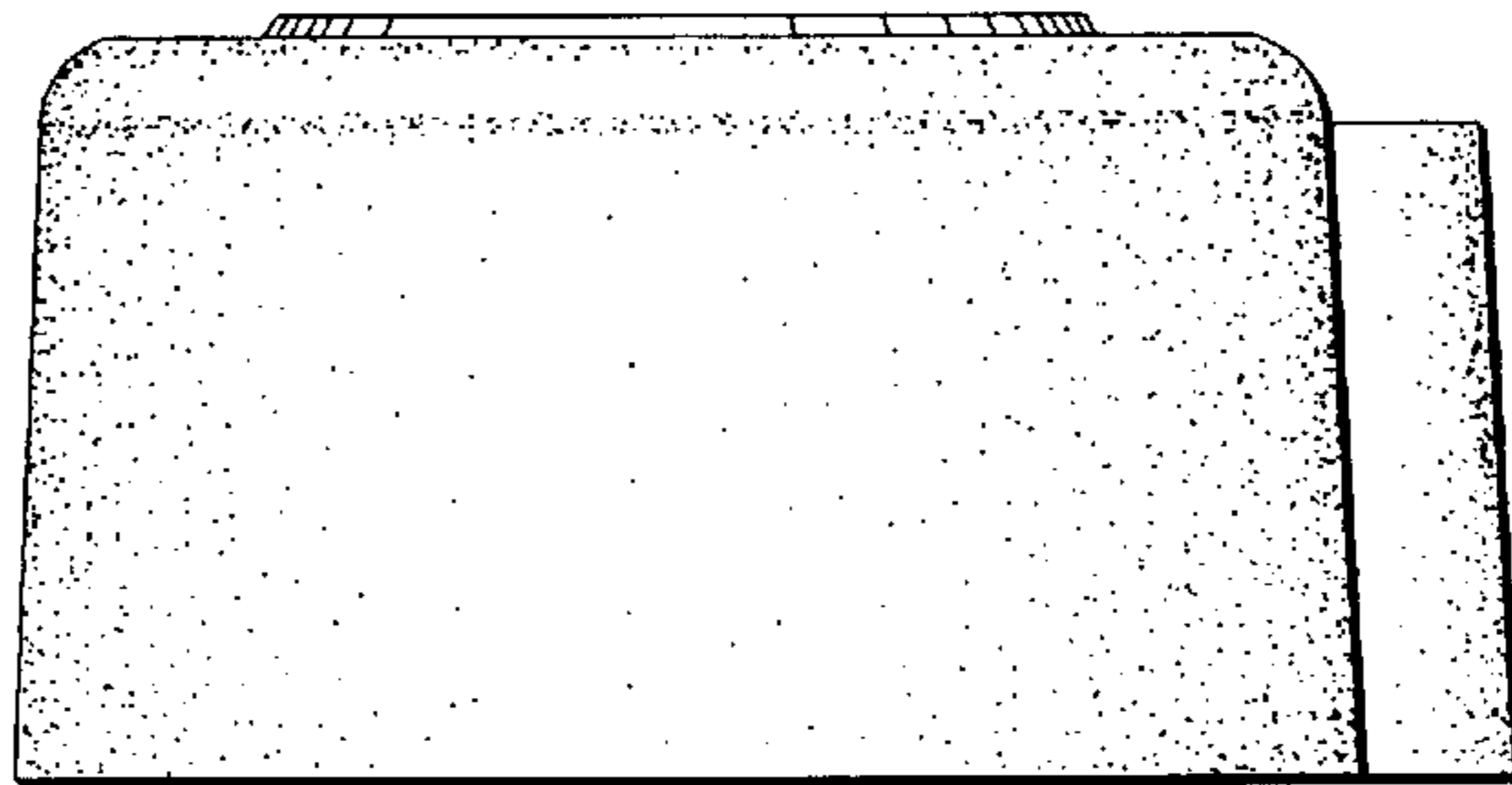


Fig. 26

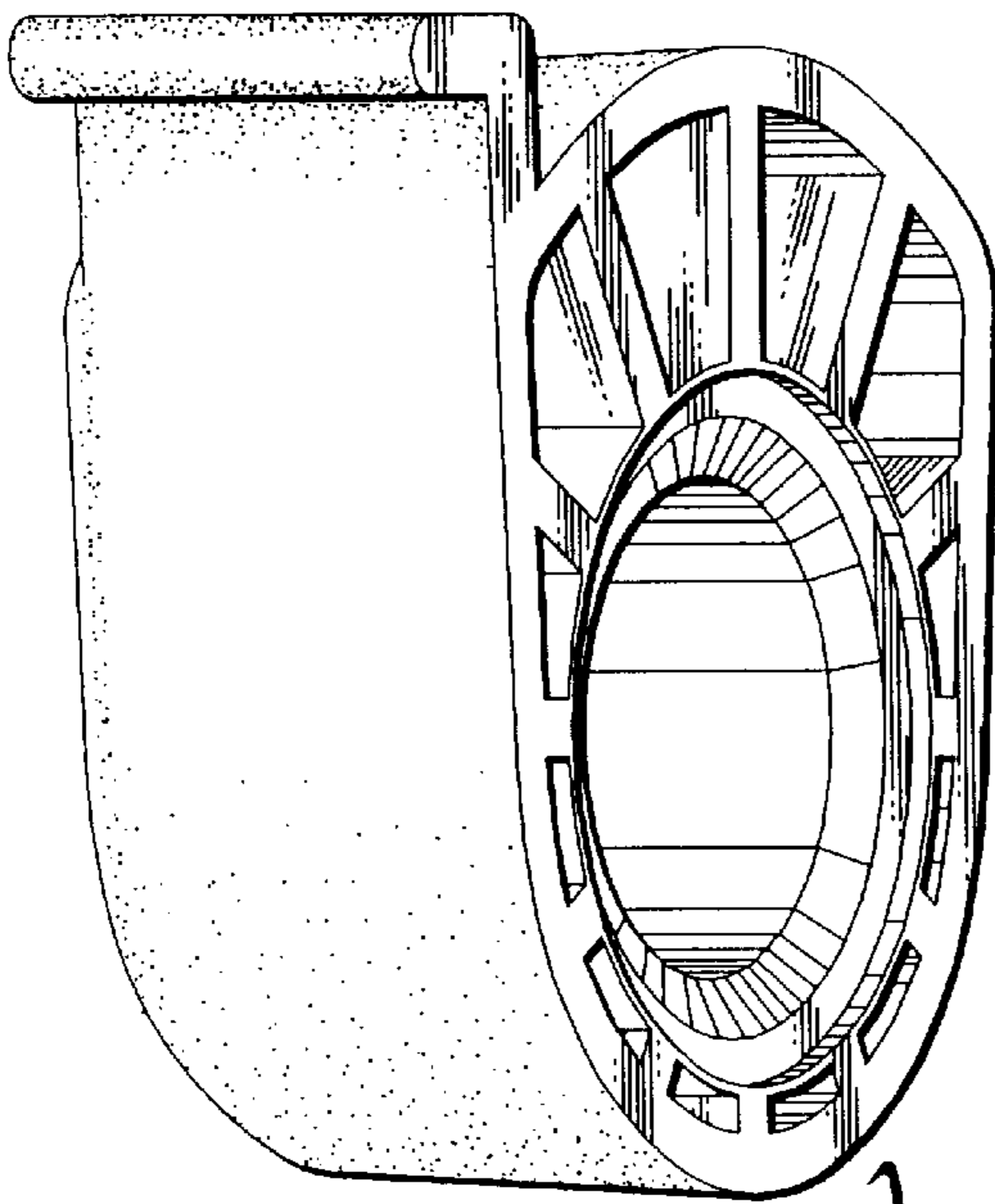


Fig. 27

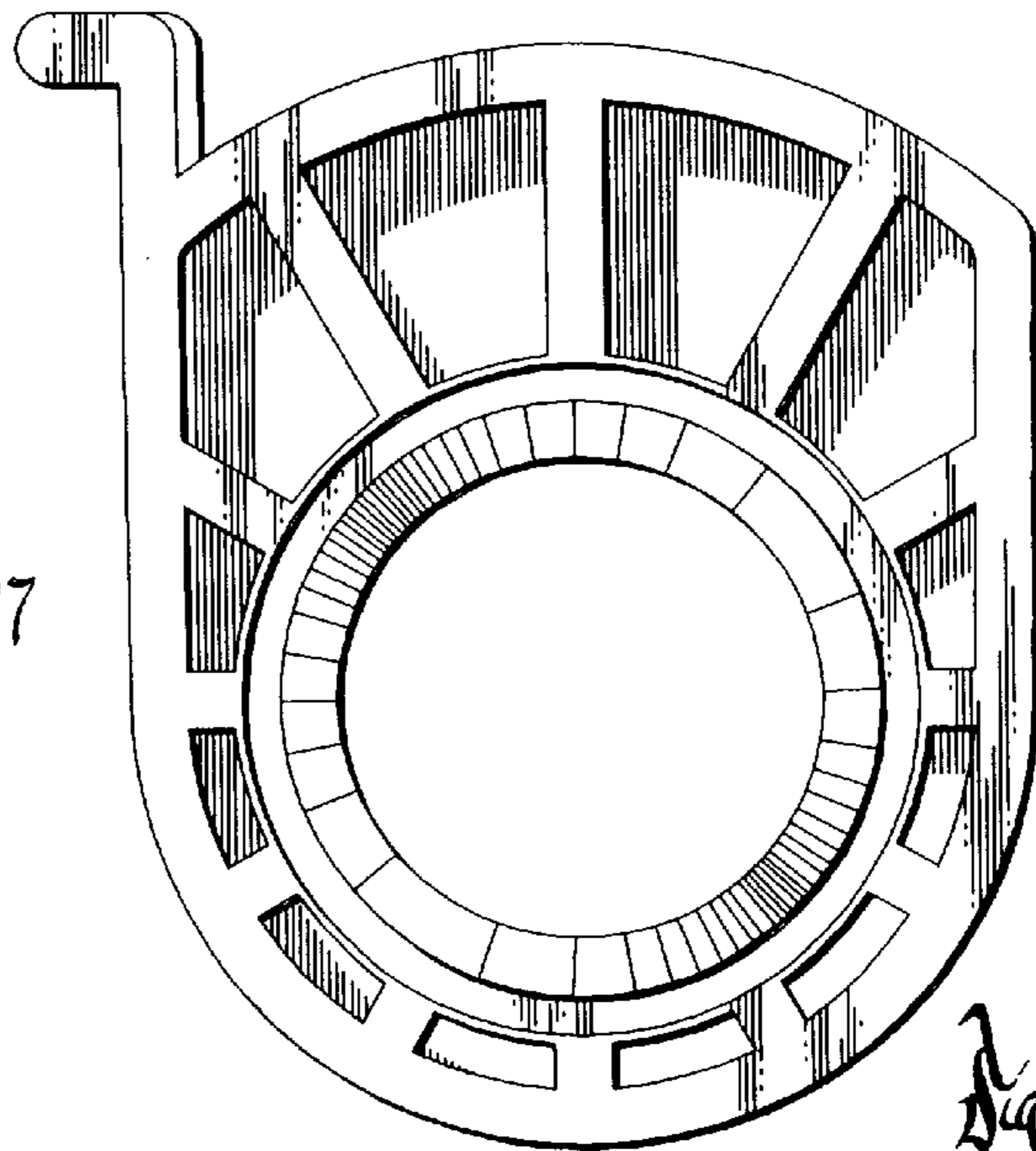


Fig. 28