



US00D421472S

United States Patent [19]

[11] Patent Number: Des. 421,472

Peterson

[45] Date of Patent: ** Mar. 7, 2000

[54] CAVITY BACK FOR A WOOD-TYPE GOLF CLUB HEAD

[76] Inventor: Lane Peterson, 810 Baker #111, Costa Mesa, Calif. 92626

[**] Term: 14 Years

[21] Appl. No.: 29/096,977

[22] Filed: Nov. 25, 1998

[51] LOC (6) Cl. 21-02

[52] U.S. Cl. D21/759

[58] Field of Search D21/733, 752, D21/753, 759; 473/324, 327-331, 345, 346

[56] References Cited

U.S. PATENT DOCUMENTS

D. 275,412	9/1984	Simmons	D21/733
D. 318,891	8/1991	Duclos	D21/733
D. 400,625	11/1998	Kubica et al.	D21/733
D. 400,627	11/1998	Kubica et al.	D21/733
D. 401,989	12/1998	Sheets et al.	D21/733
4,021,047	5/1977	Mader	.	
4,214,754	7/1980	Zebelean	.	
4,432,549	2/1984	Zebelean	.	
4,523,759	6/1985	Igarashi	.	
4,602,787	7/1986	Sugioka et al.	.	
4,803,023	2/1989	Enomoto et al.	.	
4,930,781	6/1990	Allen	.	
5,292,129	3/1994	Long et al.	.	
5,603,666	2/1997	Bowe	.	
5,624,331	4/1997	Lo et al.	.	
5,711,722	1/1998	Miyajima et al.	.	
5,776,011	7/1998	Su et al.	.	
5,785,609	7/1998	Sheets et al.	473/327

Primary Examiner—Mitchell Siegel
Attorney, Agent, or Firm—Workman, Nydegger & Seeley

[57] CLAIM

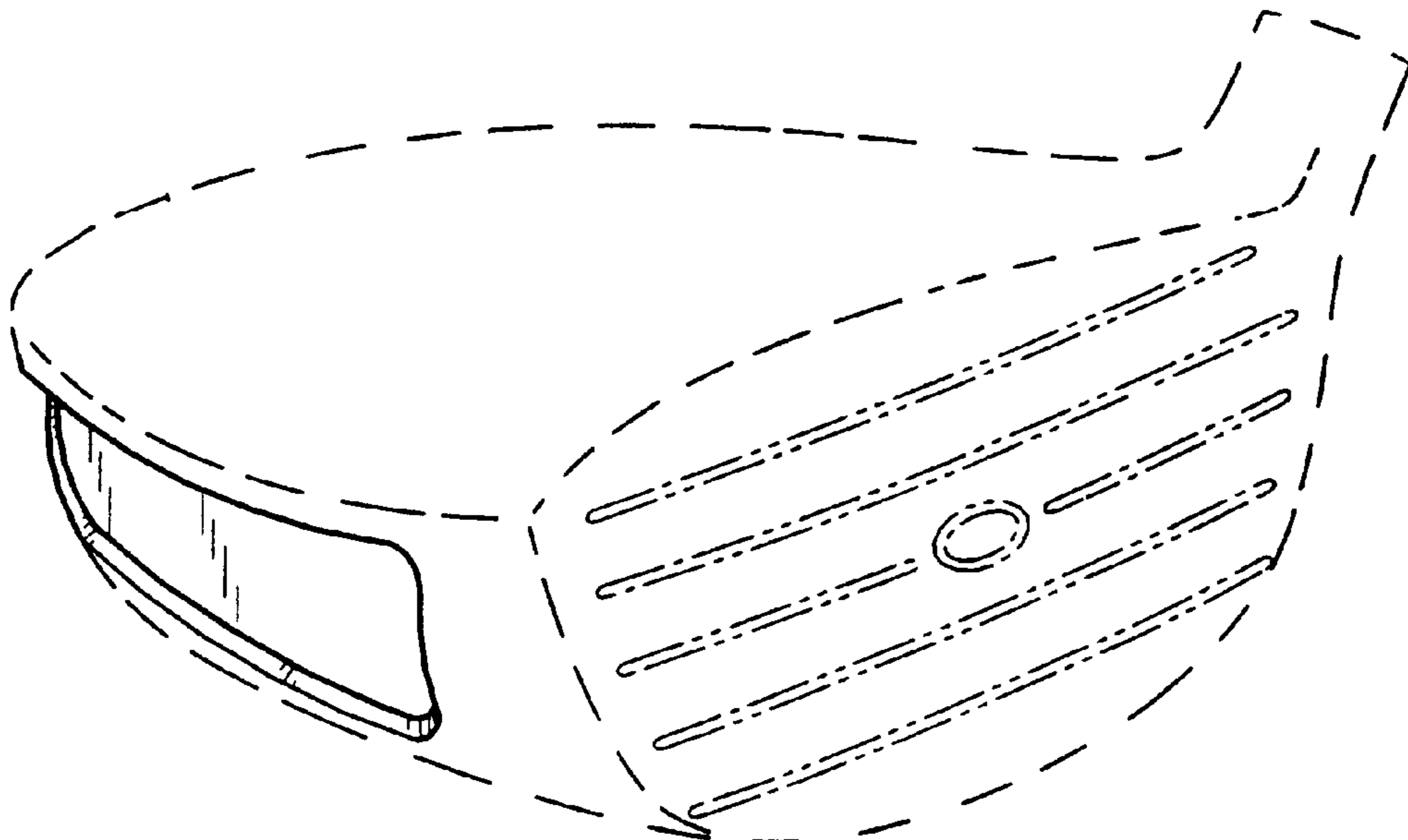
The ornamental design for a cavity back for a wood-type golf club head, as shown and described.

DESCRIPTION

FIG. 1 is a back elevational view of a cavity back for a wood-type golf club head of the present invention; FIG. 2 is a left side elevational view of the cavity back for a wood-type golf club head shown in FIG. 1; FIG. 3 is a right side elevational view of the cavity back for a wood-type golf club head shown in FIG. 1; FIG. 4 is a bottom plan view of the cavity back for a wood-type golf club head shown in FIG. 1; FIG. 5 is a perspective view of another embodiment of a cavity back for a wood-type golf club head of the present invention; FIG. 6 is a back elevational view of the cavity back for a wood-type golf club head shown in FIG. 5; FIG. 7 is a left side elevational view of the cavity back for a wood-type golf club head shown in FIG. 5; FIG. 8 is a right side elevational view of the cavity back for a wood-type golf club head shown in FIG. 5; FIG. 9 is a bottom plan view of the cavity back for a wood-type golf club head shown in FIG. 5; FIG. 10 is a perspective view of another embodiment of a cavity back for a wood-type golf club head of the present invention; FIG. 11 is a back elevational view of the cavity back of a wood-type golf club head shown in FIG. 10; FIG. 12 is a left side elevational view of the cavity back of a wood-type golf club head shown in FIG. 10; FIG. 13 is a right side elevational view of the cavity back of a wood-type golf club head shown in FIG. 10; and, FIG. 14 is a bottom plan view of the wood-type golf club head shown in FIG. 10.

The broken line showing of a wood-type golf club head is for illustrative purposes only and forms no part of the claimed design.

1 Claim, 6 Drawing Sheets



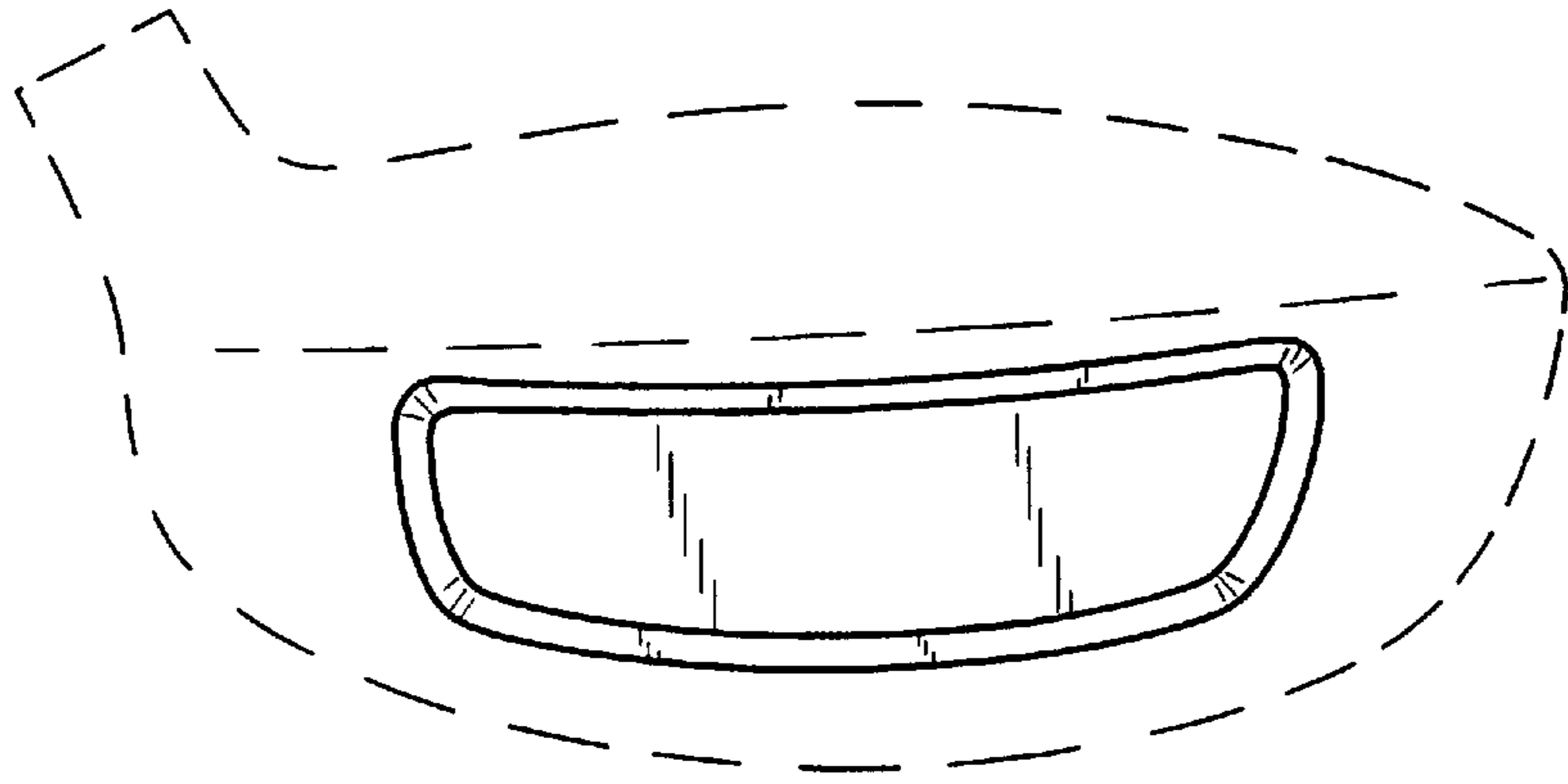


FIG. 1

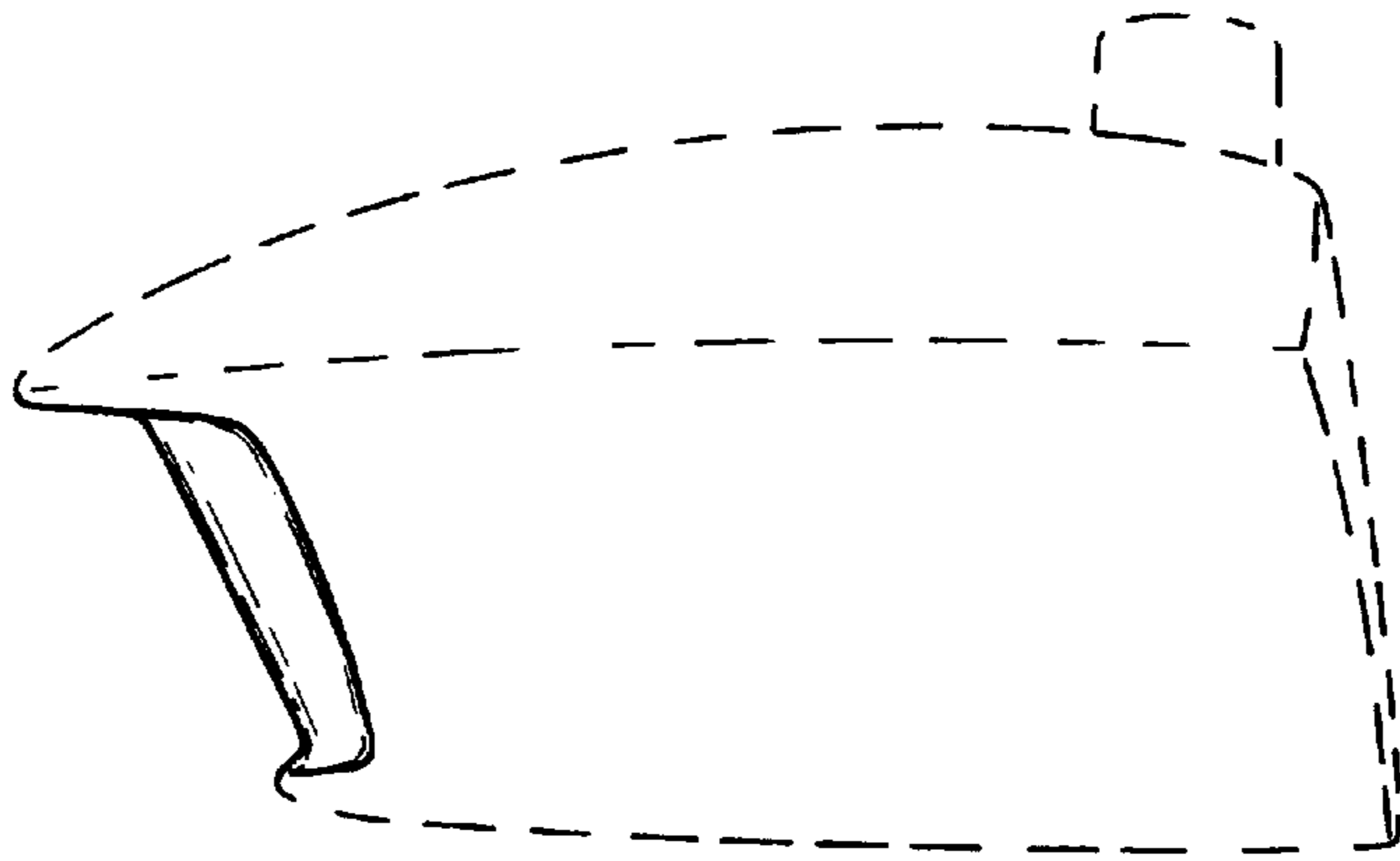


FIG. 2

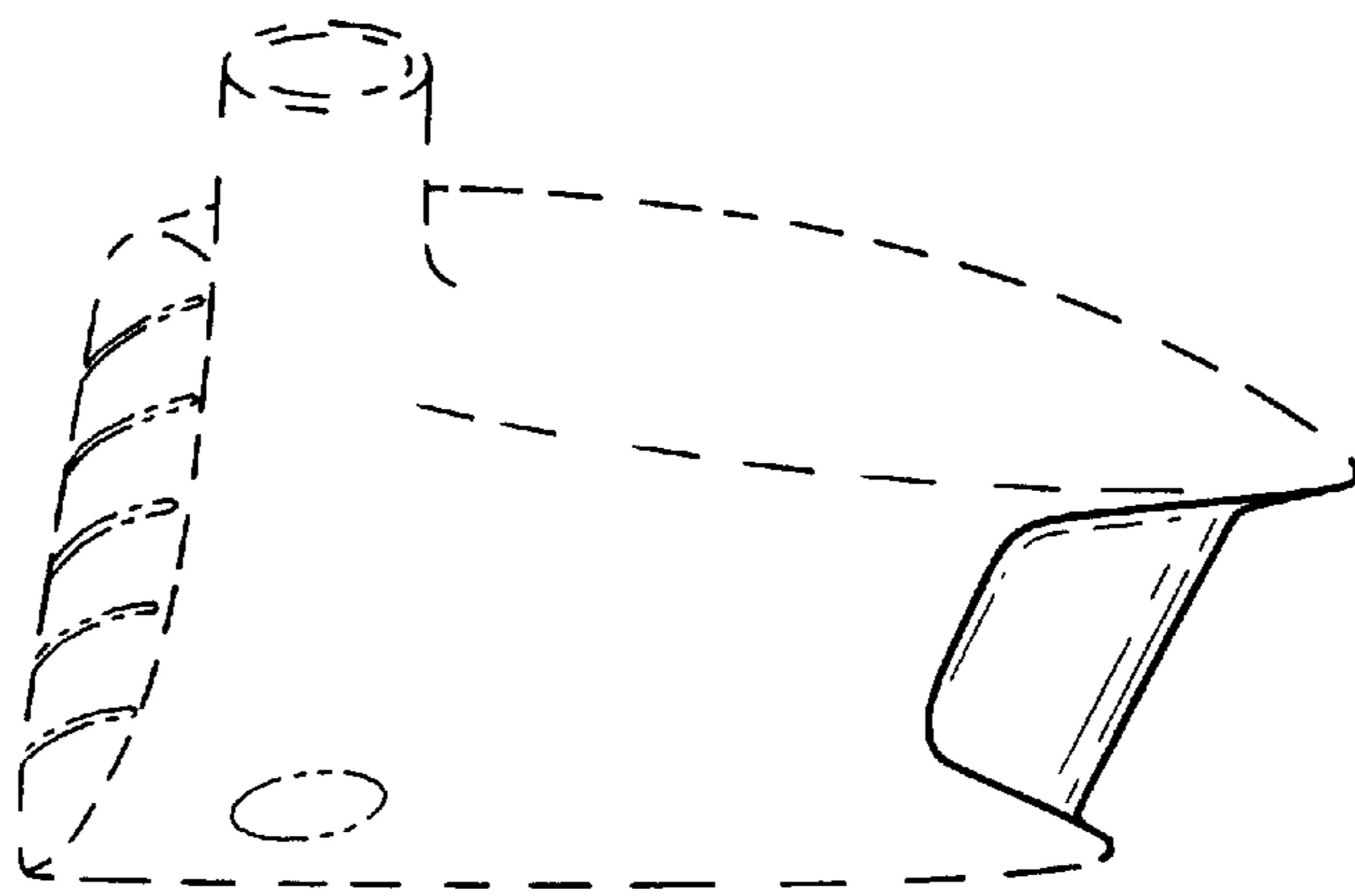


FIG. 3

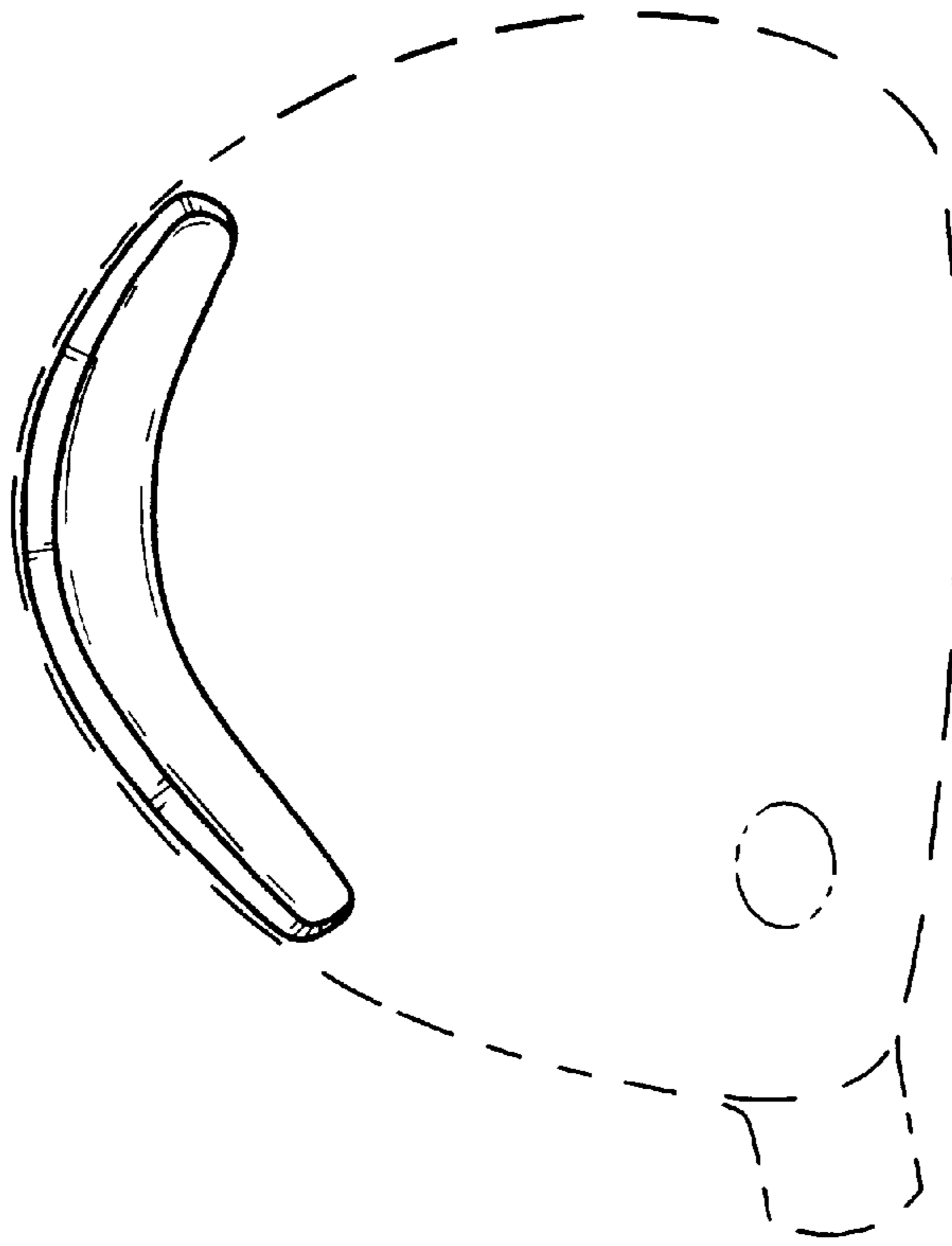


FIG. 4

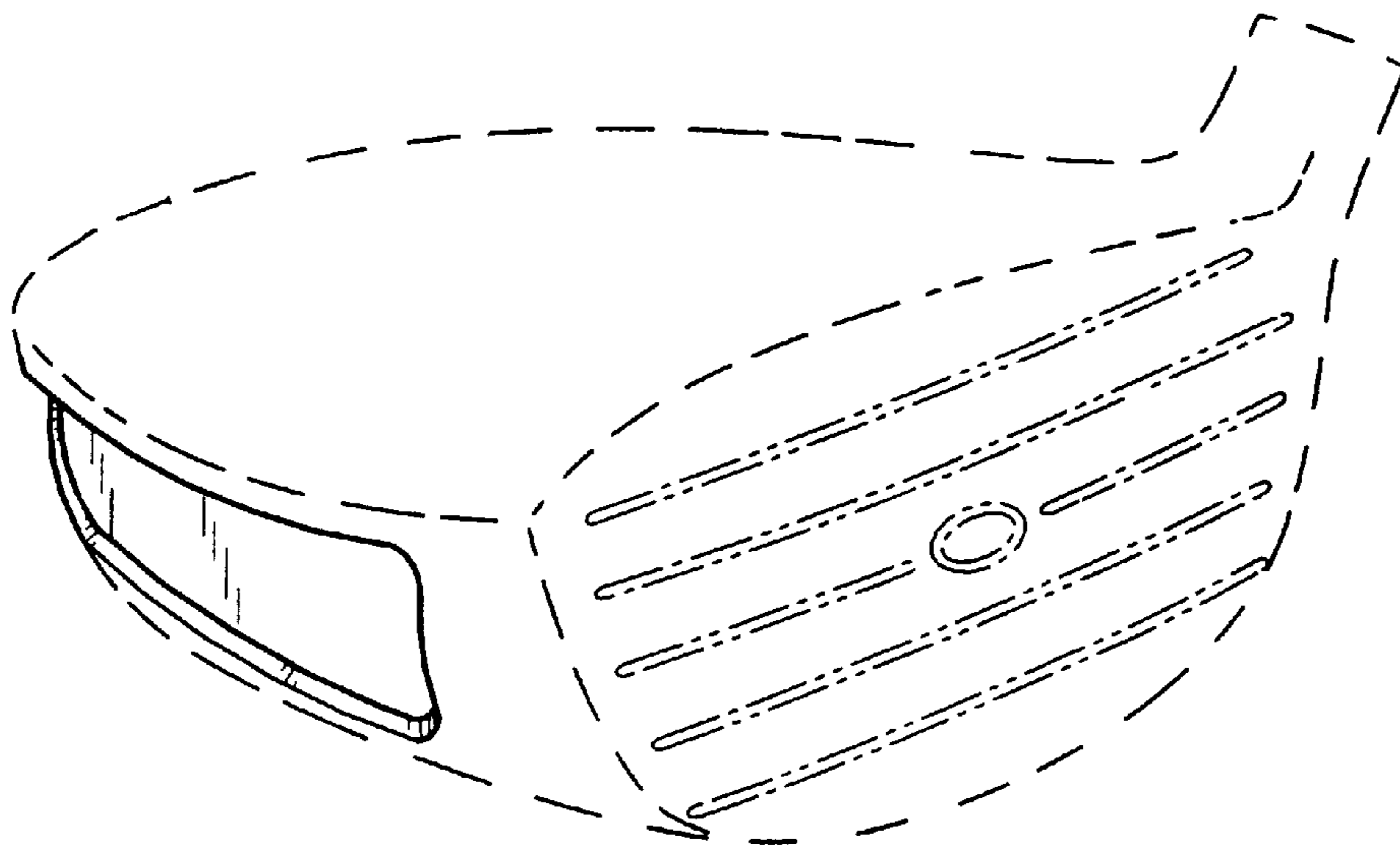


FIG. 5

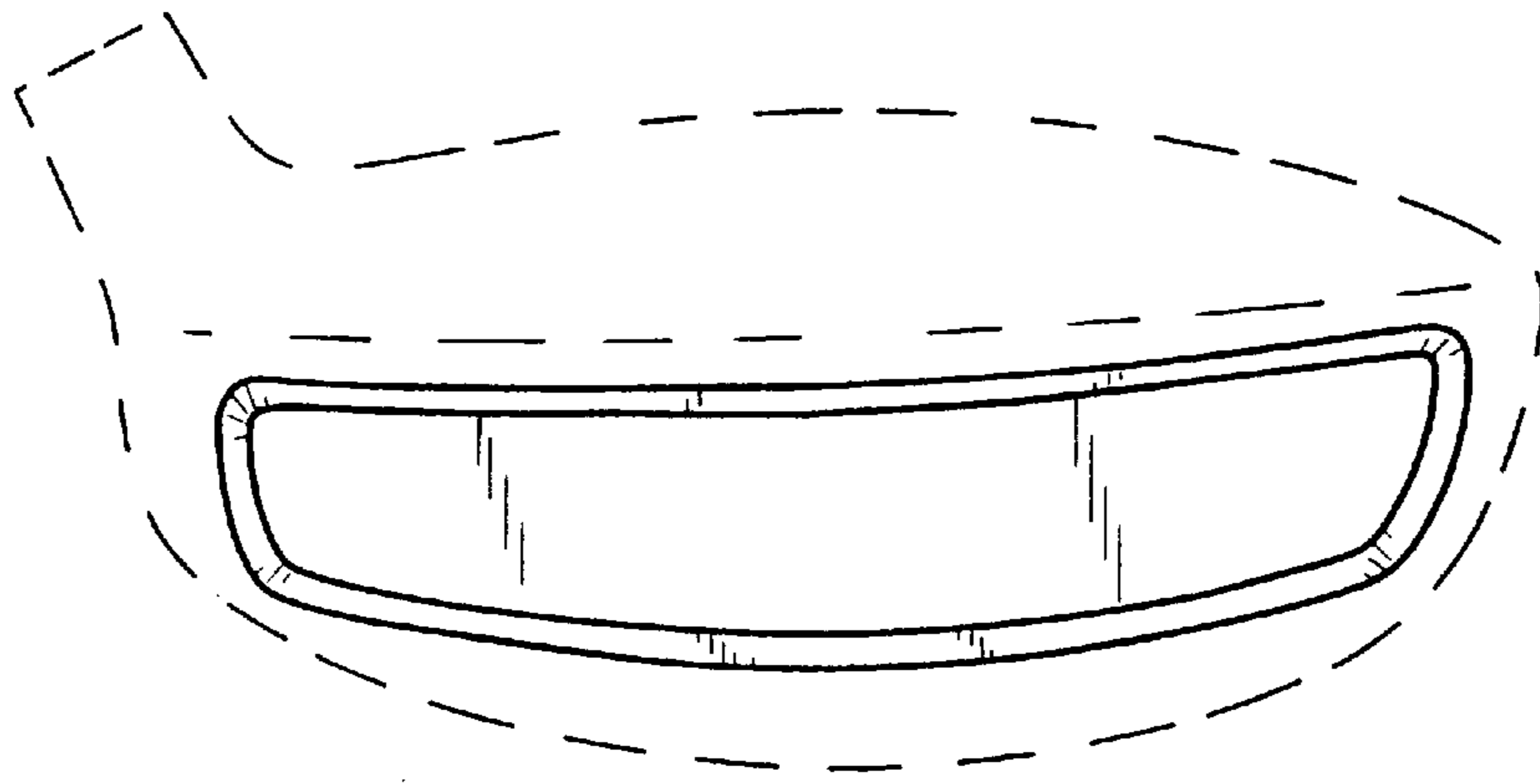


FIG. 6

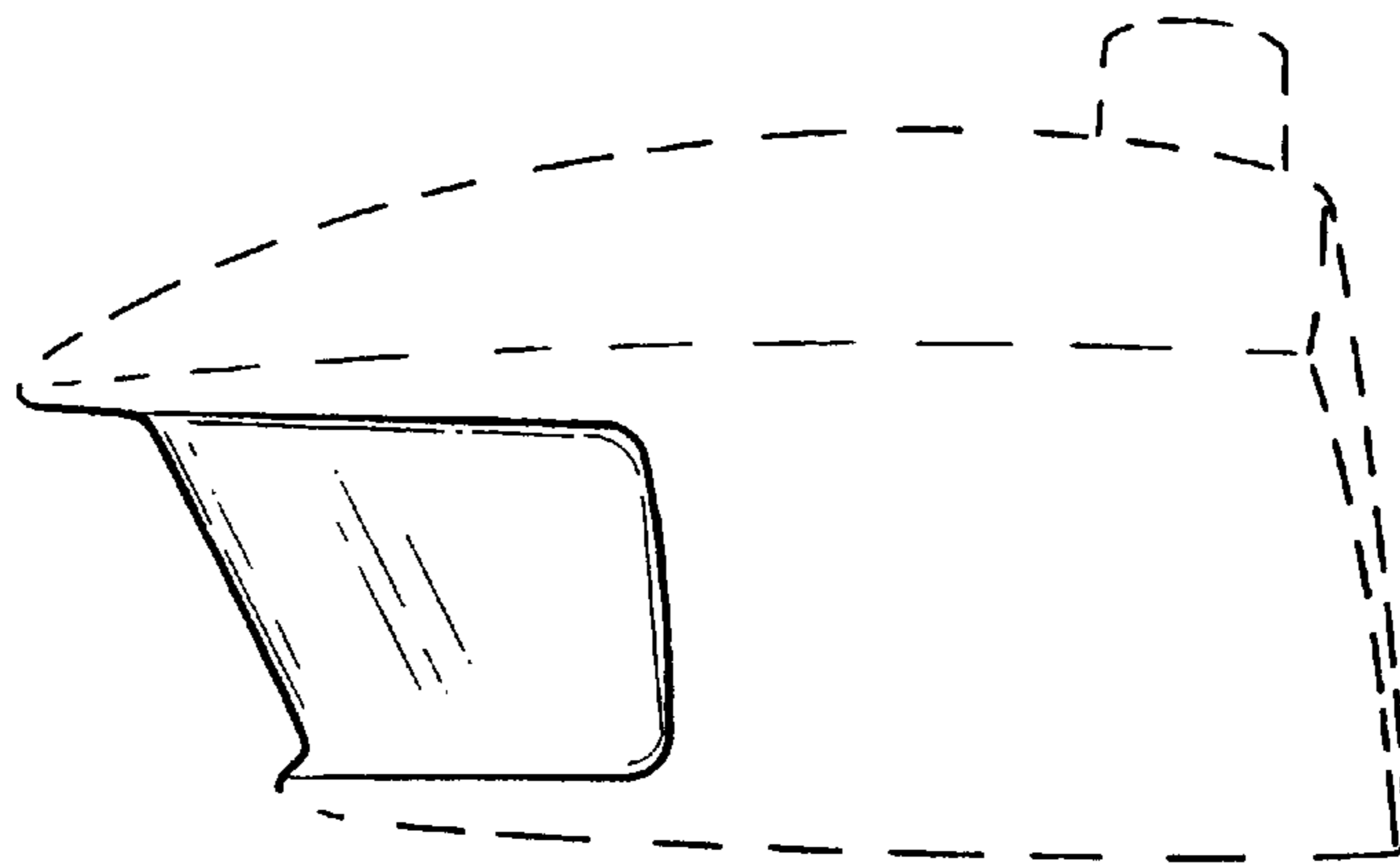


FIG. 7

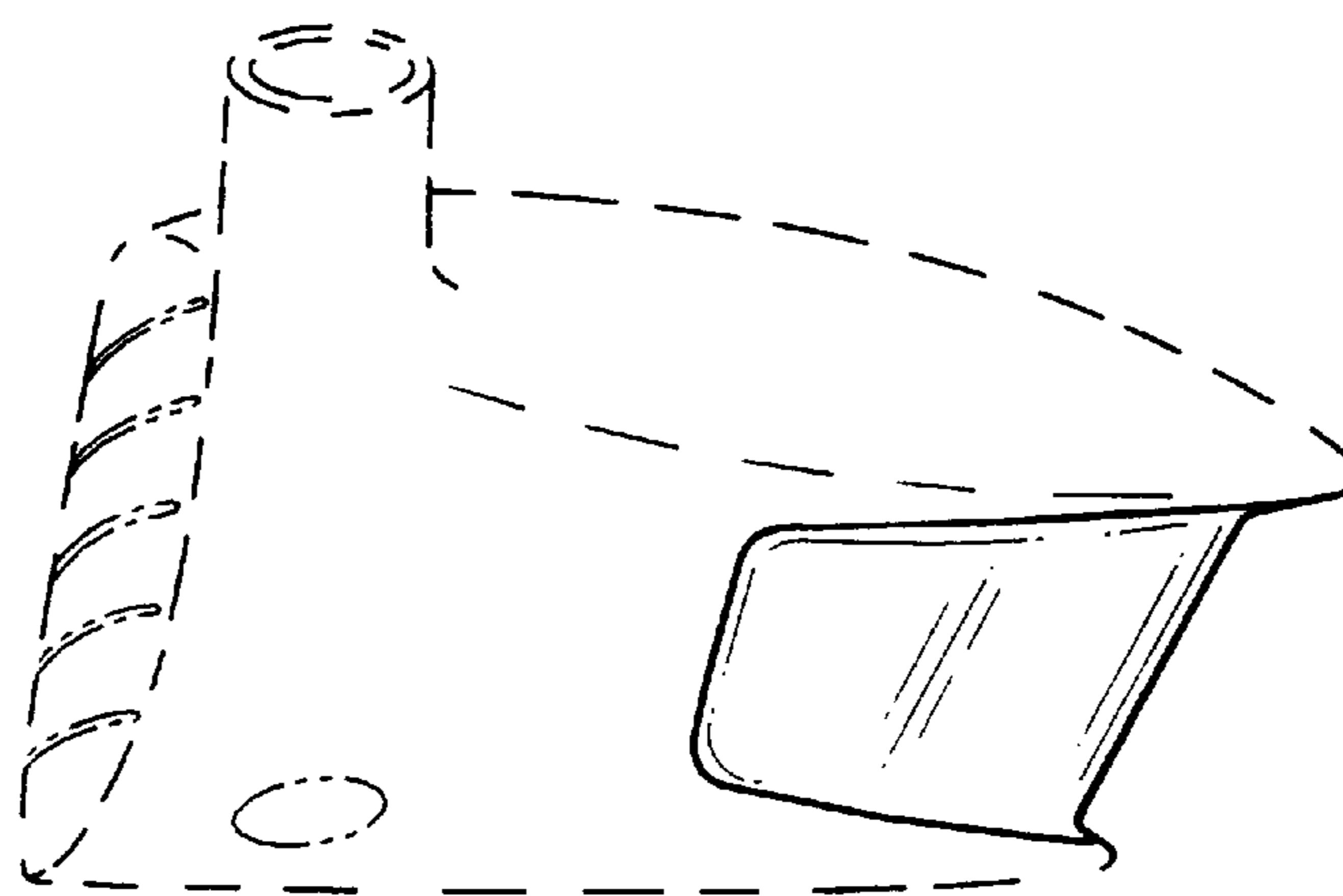


FIG. 8

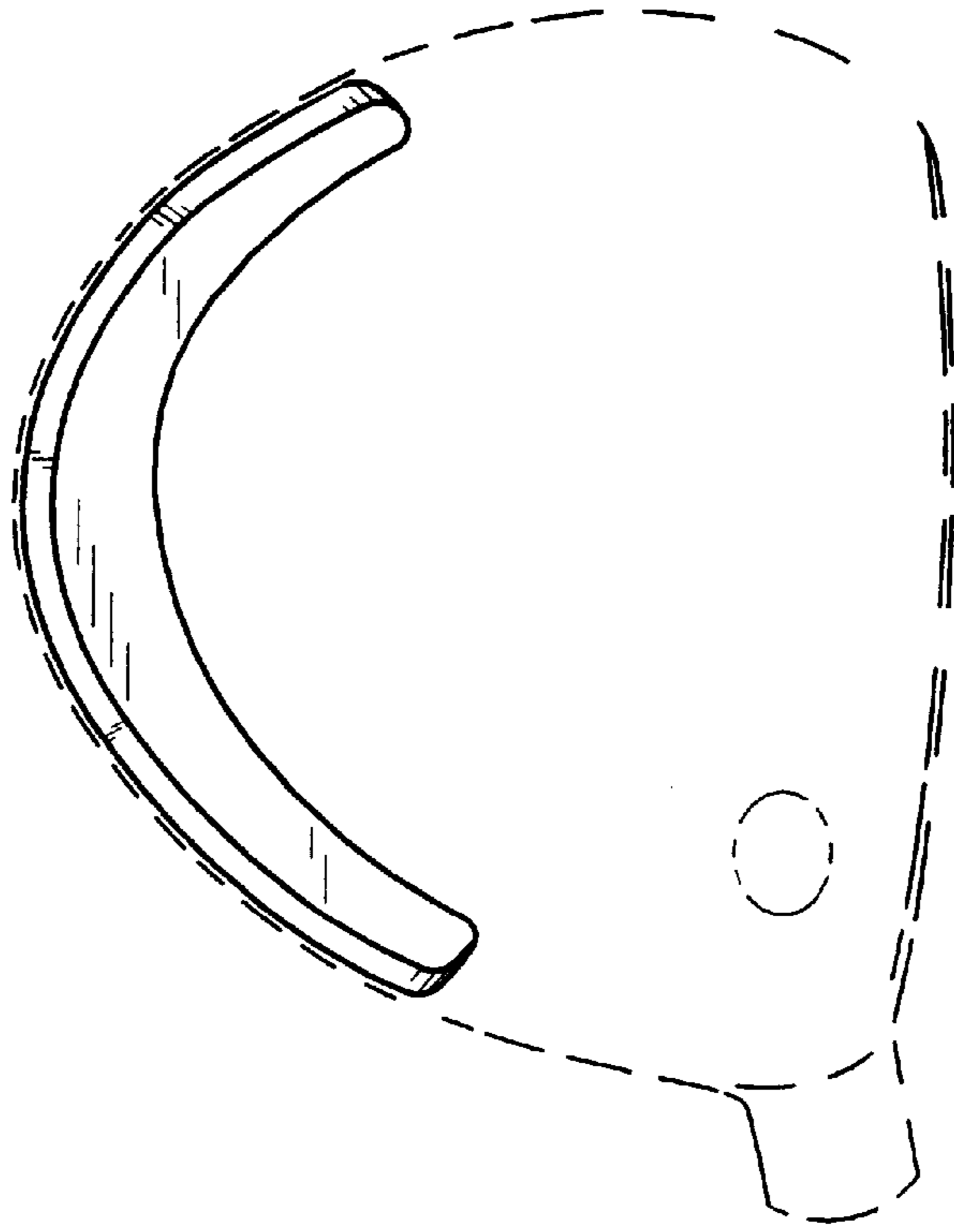


FIG. 9

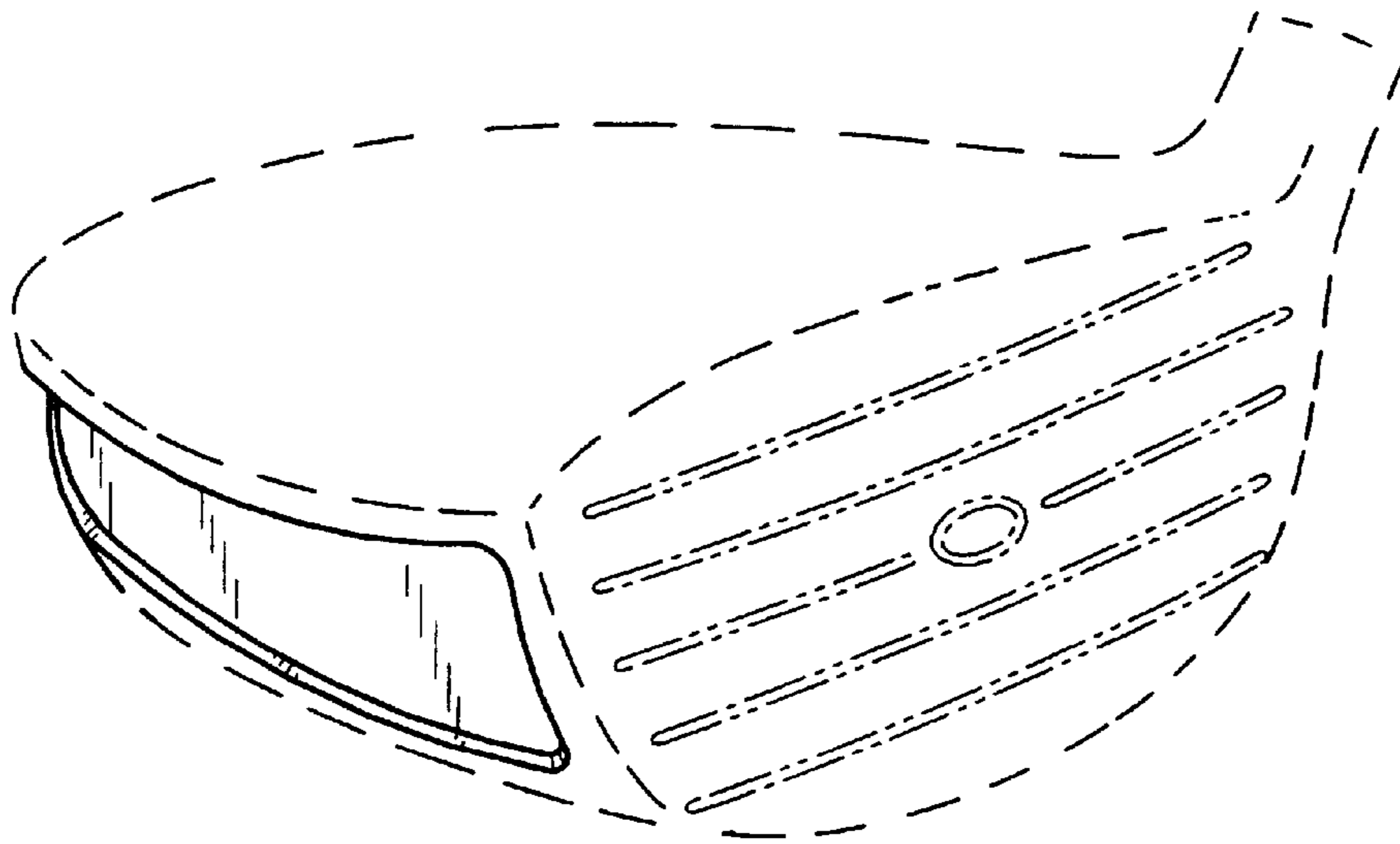


FIG. 10

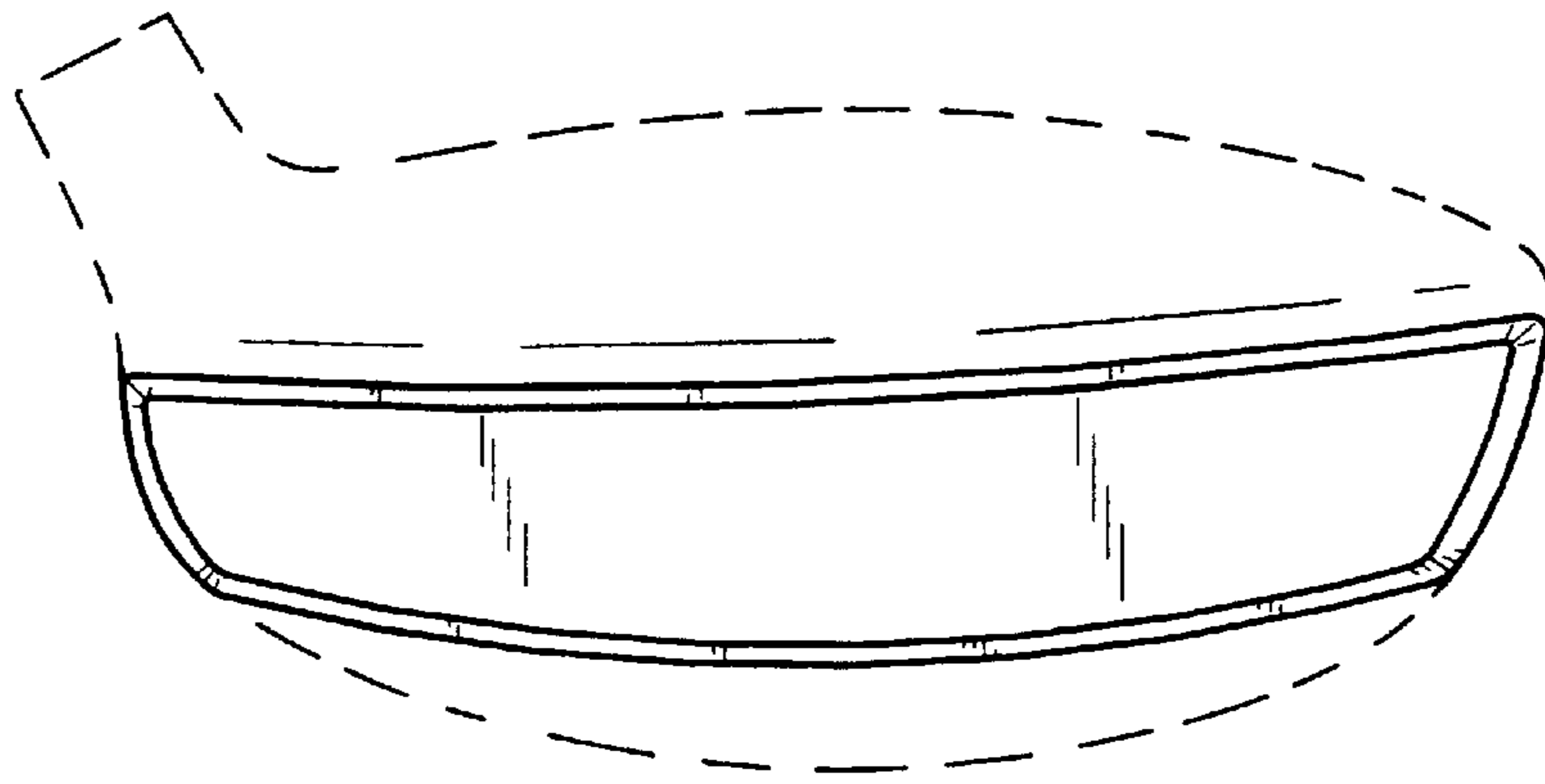


FIG. 11

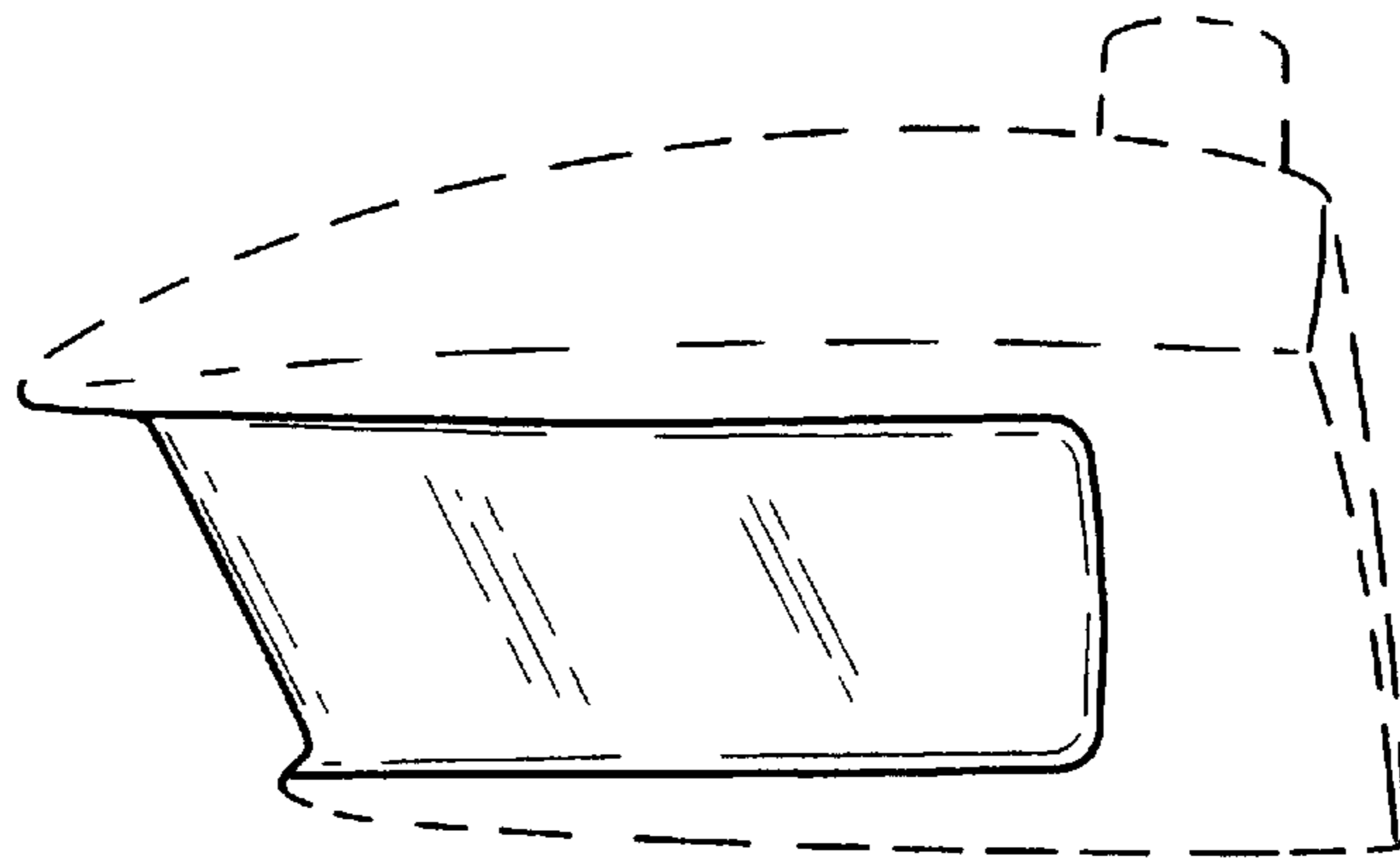


FIG. 12

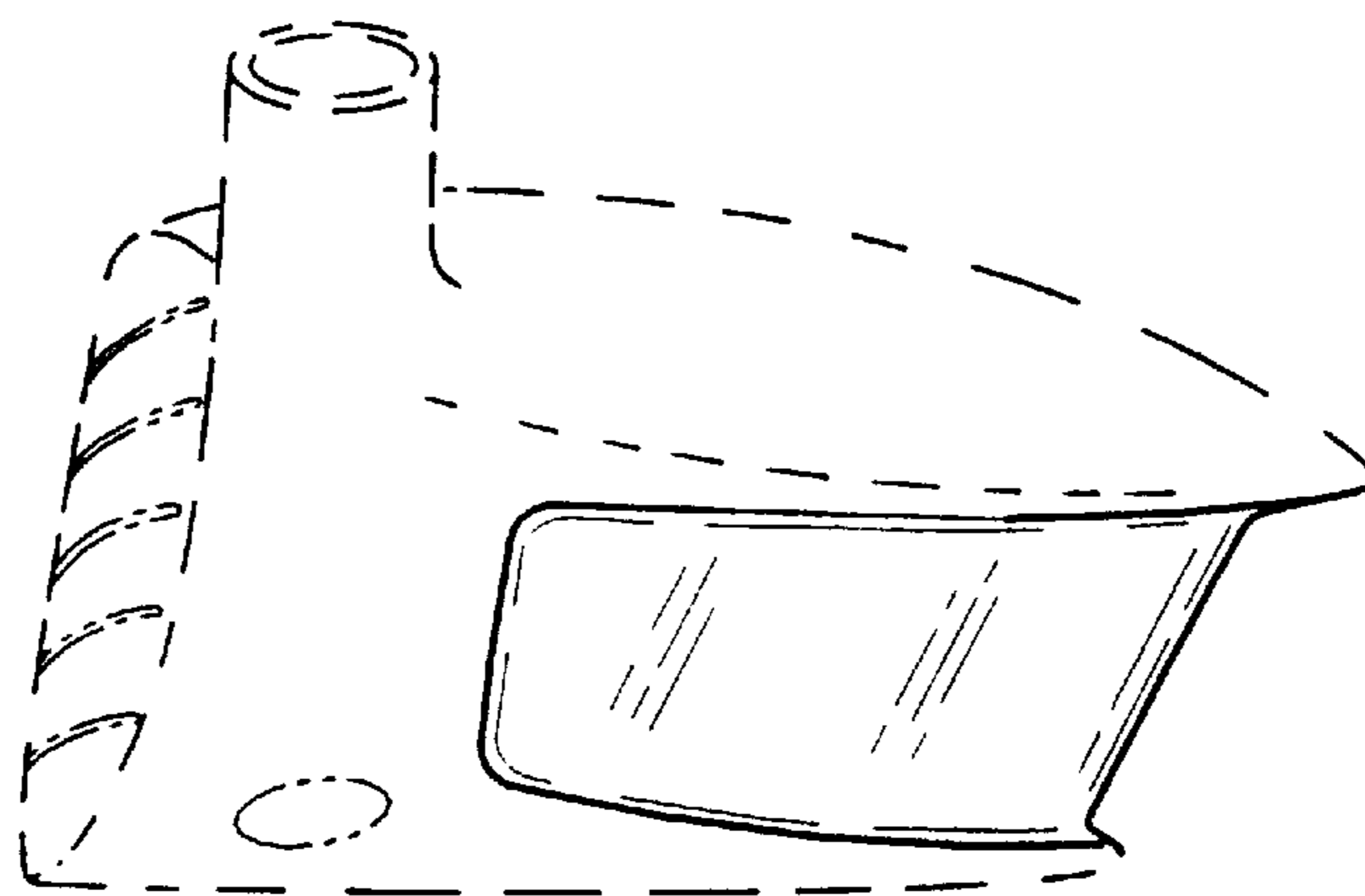


FIG. 13

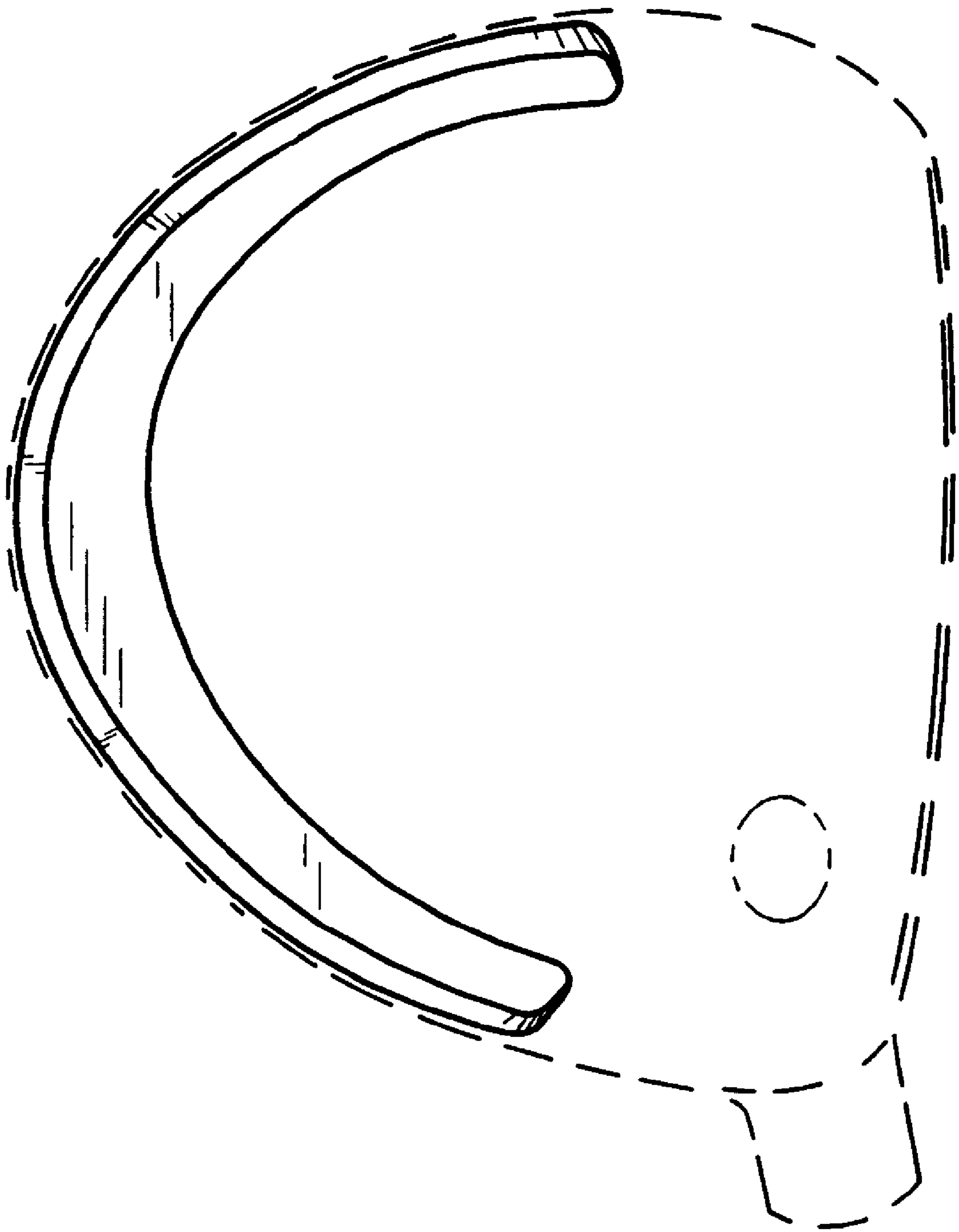


FIG. 14

UNITED STATES PATENT AND TRADEMARK OFFICE
CERTIFICATE OF CORRECTION

PATENT NO. : Des. 421, 472
DATED : Mar. 7, 2000
INVENTOR(S) : Lane Peterson

It is certified that error appears in the above-identified patent and that said Letters Patent are hereby corrected as shown below:

Cover Page, U.S. Patent Documents, line 6, change "4,021,047" to
--4,201,047--

Signed and Sealed this
Third Day of April, 2001



NICHOLAS P. GODICI

Attest:

Attesting Officer

Acting Director of the United States Patent and Trademark Office