



US00D421471S

United States Patent [19]
Moldovan

[11] **Patent Number: Des. 421,471**
[45] **Date of Patent: ** Mar. 7, 2000**

[54] **FREE STANDING GOLF PUTTER HEAD**

D. 359,330 6/1995 Channell D21/741

[75] Inventor: **John S. Moldovan**, 1600 Sterling Oaks
La., Casselberry, Fla. 32707

Primary Examiner—Mitchell Siegel
Attorney, Agent, or Firm—Fred Zollinger

[73] Assignee: **John S. Moldovan**, N. Canton, Ohio

[57] **CLAIM**

[**] Term: **14 Years**

The ornamental design for a free standing golf putter head,
as shown and described.

[21] Appl. No.: **29/084,287**

DESCRIPTION

[22] Filed: **Feb. 27, 1998**

FIG. 1 is a perspective view of a free standing golf putter head showing my new design;

[51] **LOC (6) Cl.** **21-02**

[52] **U.S. Cl.** **D21/744**

FIG. 2 is a top plan view of the free standing golf putter head of FIG. 1;

[58] **Field of Search** D21/736-741;

473/324, 327, 328, 251-256, 340, 341

FIG. 3 is a bottom plan view of FIG. 2;

FIG. 4 is a rear elevational view of FIG. 2;

FIG. 5 is a front elevational view of FIG. 2;

FIG. 6 is a right side elevational view of FIG. 2; and,

FIG. 7 is a left side elevational view of FIG. 2.

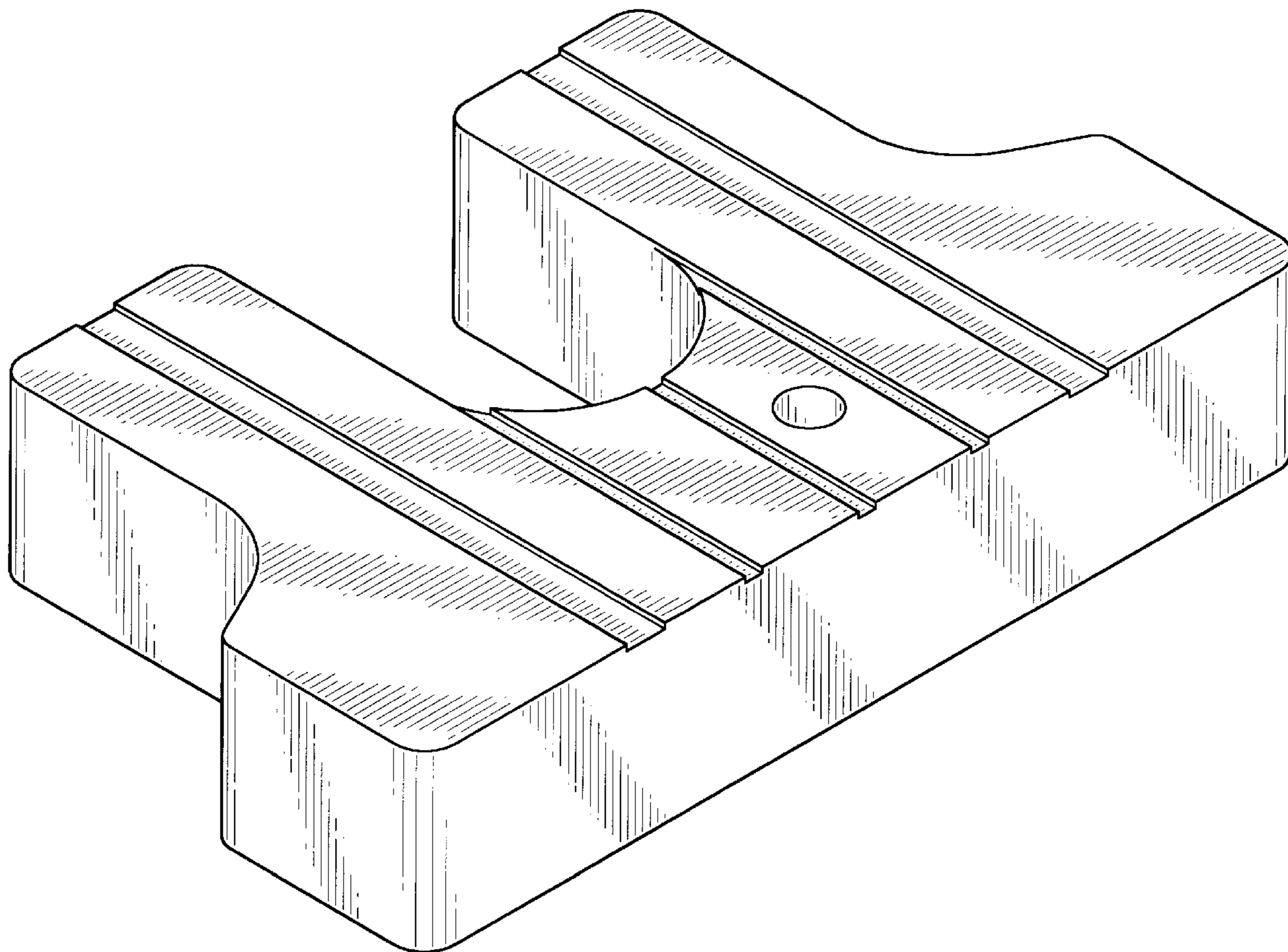
[56] **References Cited**

U.S. PATENT DOCUMENTS

D. 342,558 12/1993 Diesterheft D21/741

D. 350,177 8/1994 Ramirez et al. D21/745

1 Claim, 4 Drawing Sheets



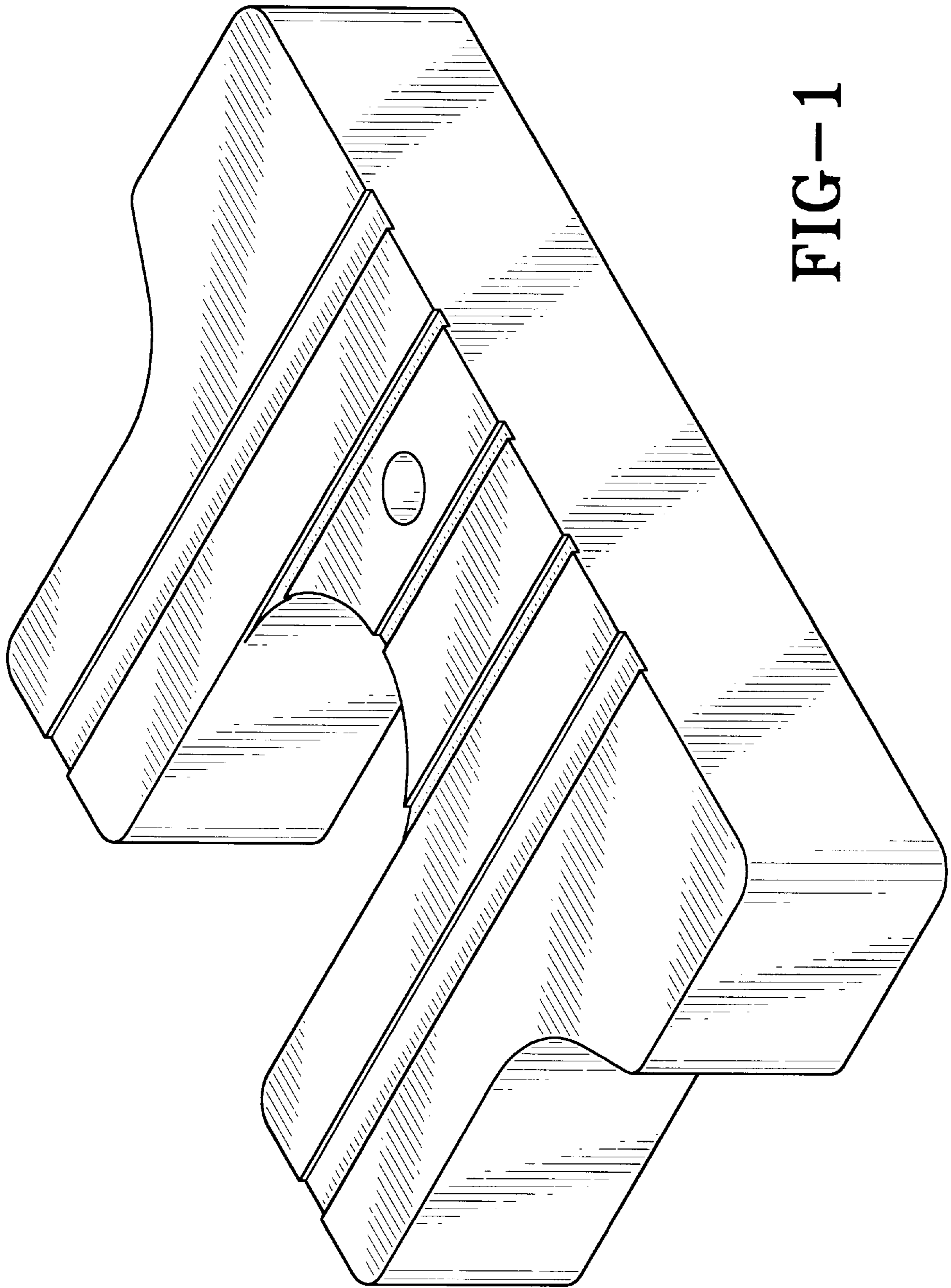


FIG-1

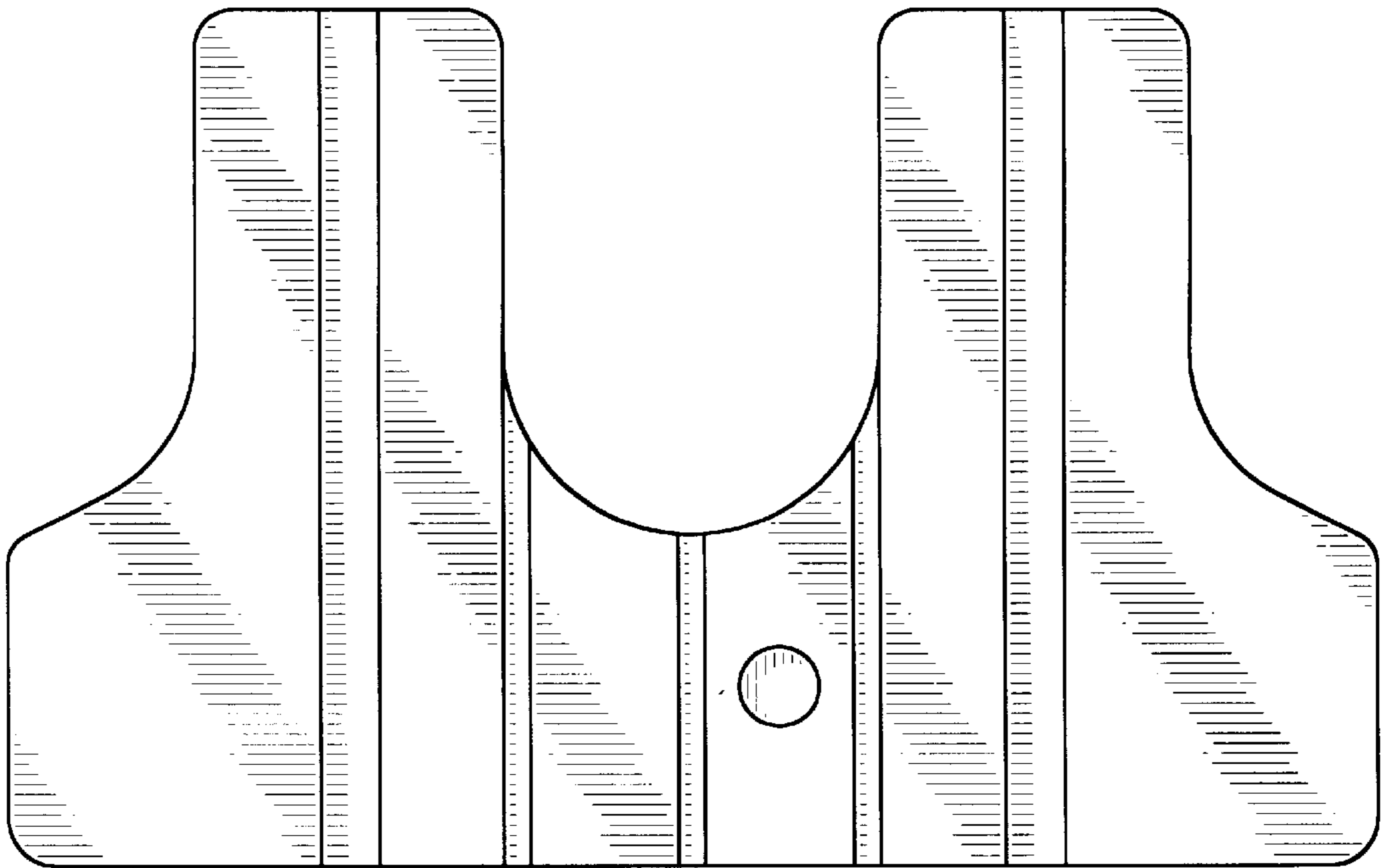


FIG-2

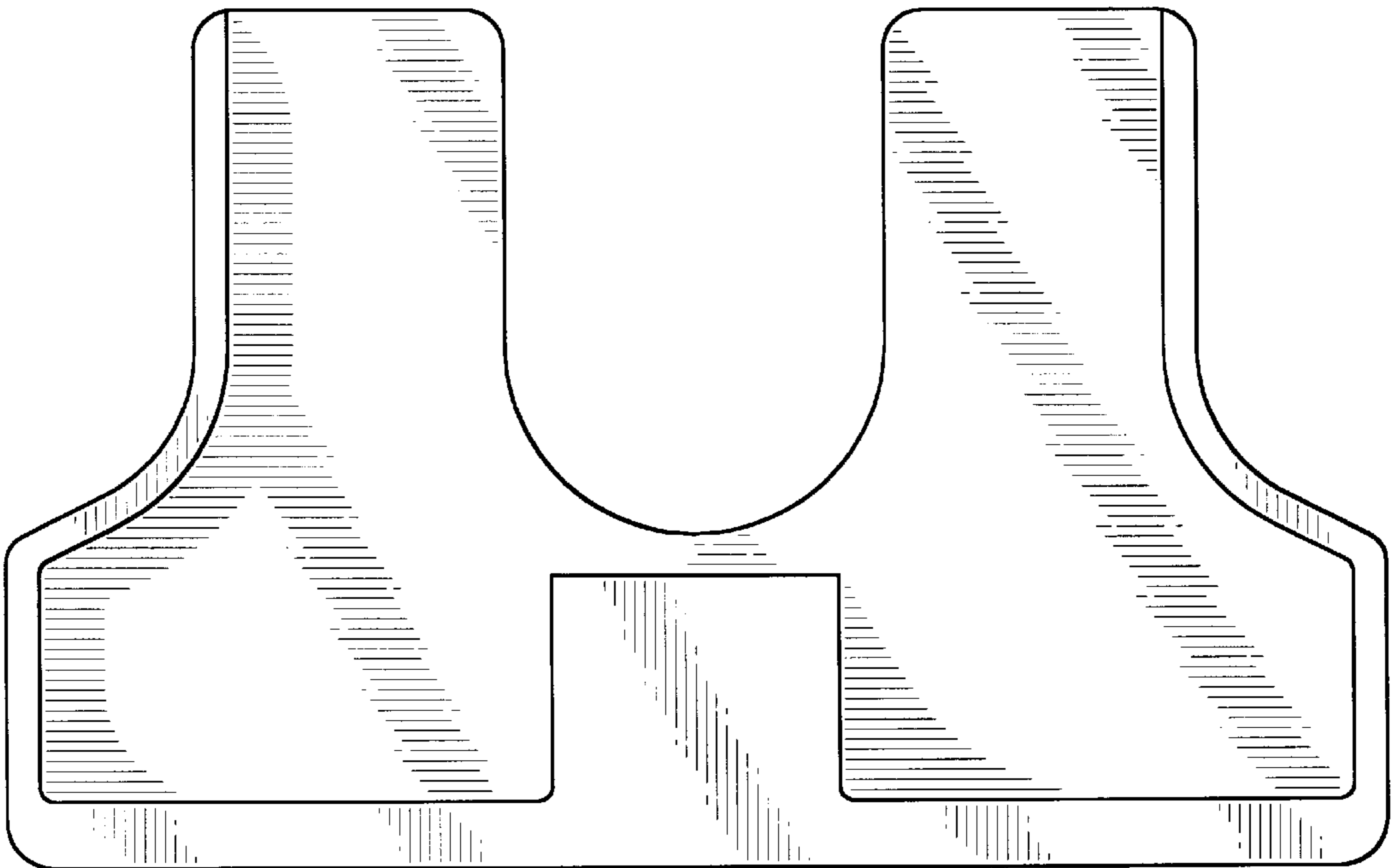


FIG-3

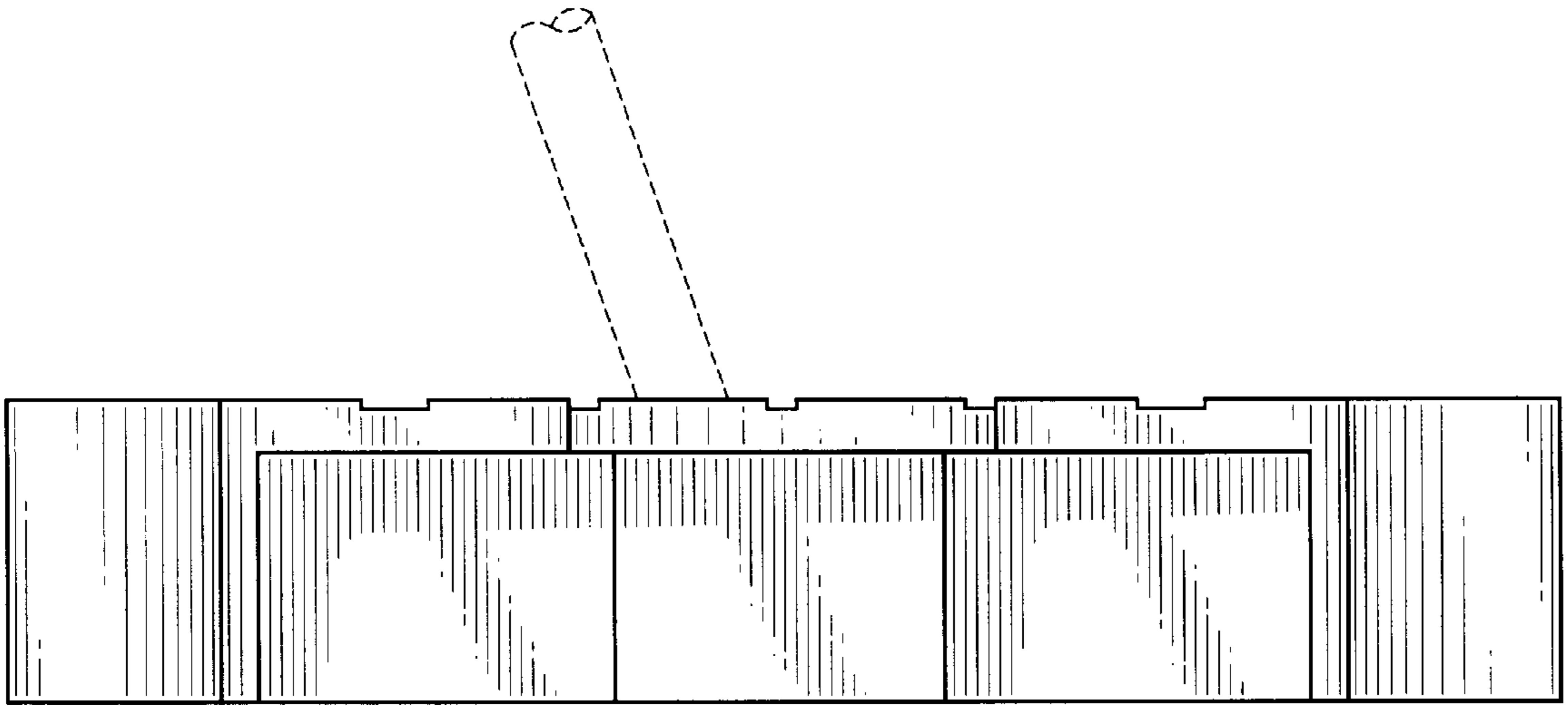


FIG-4

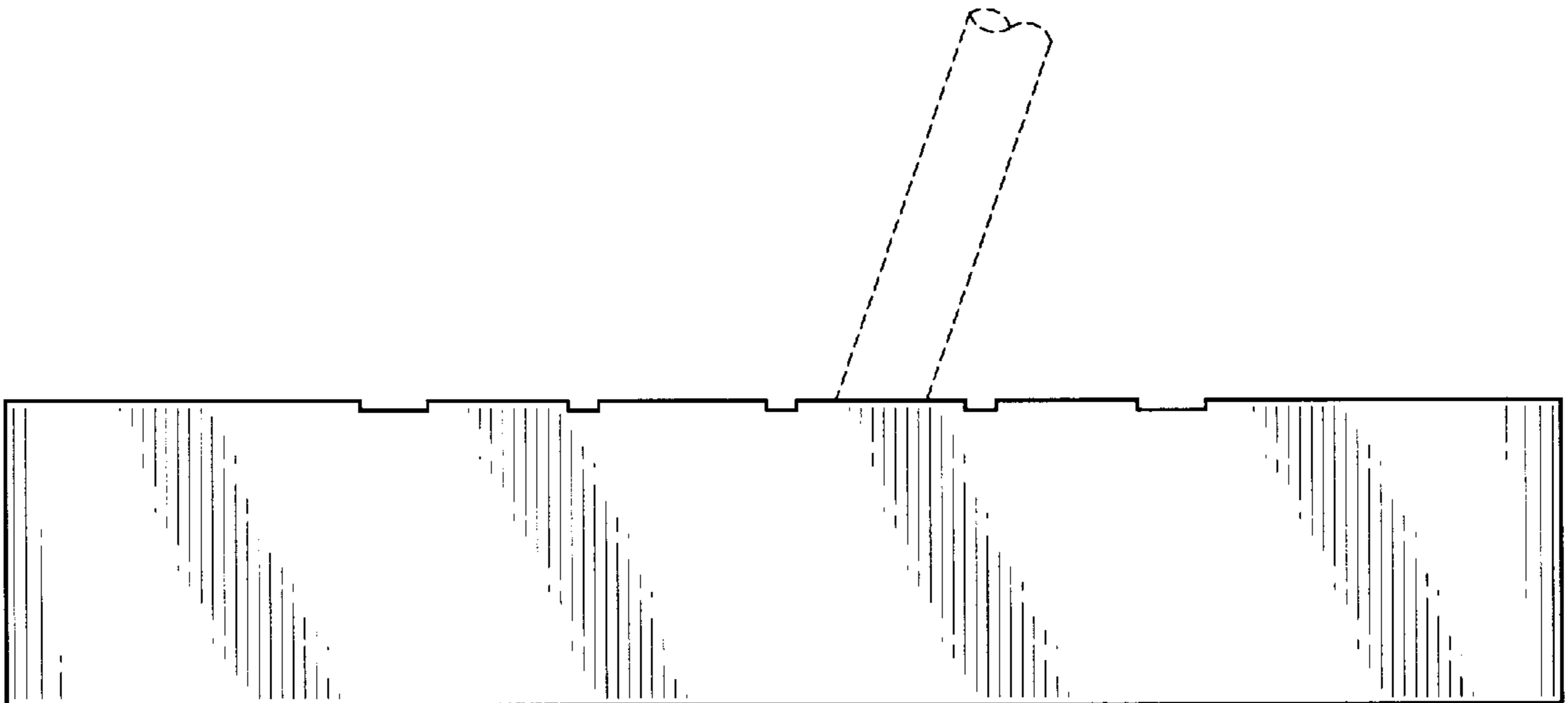


FIG-5

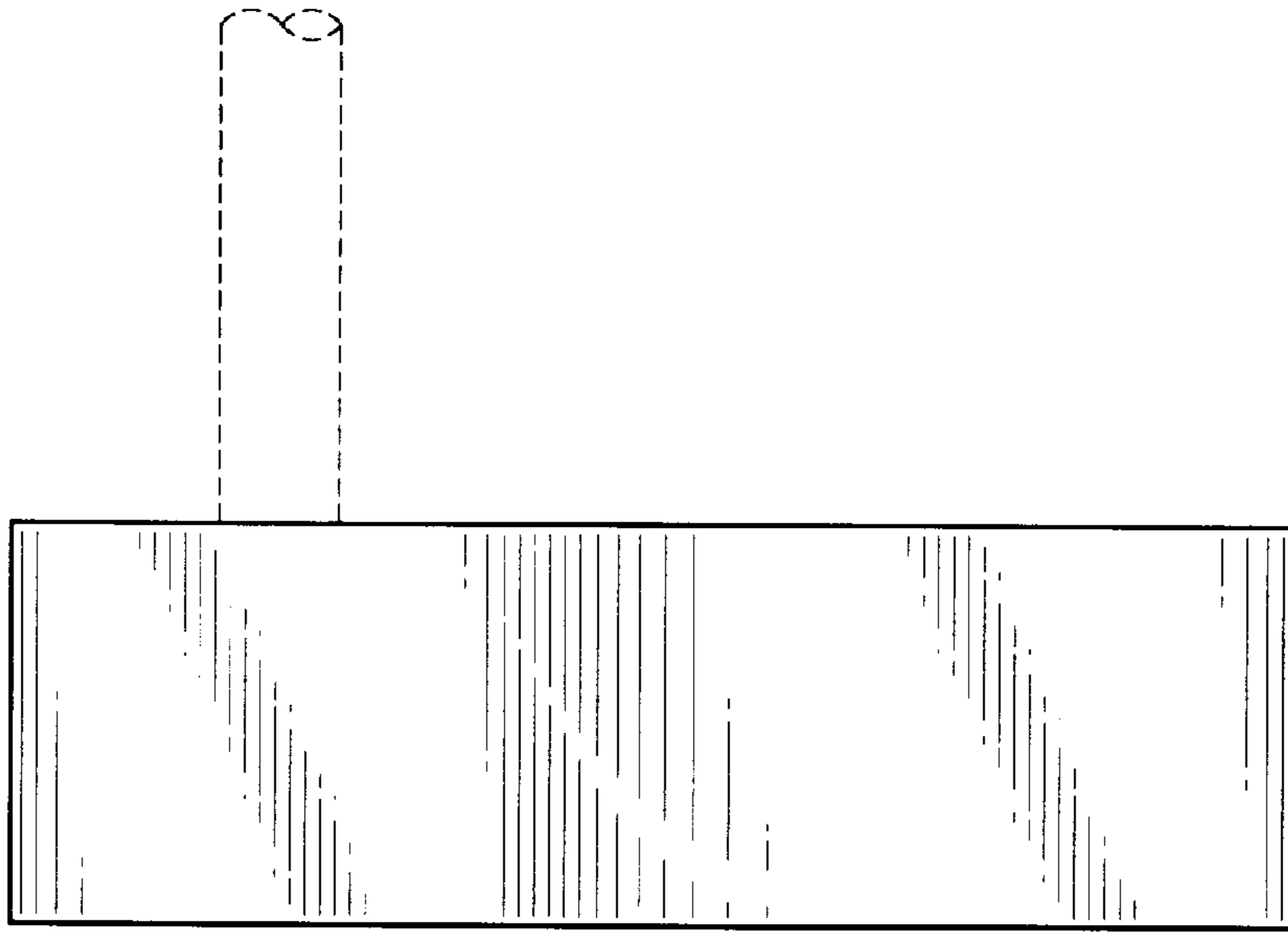


FIG-6

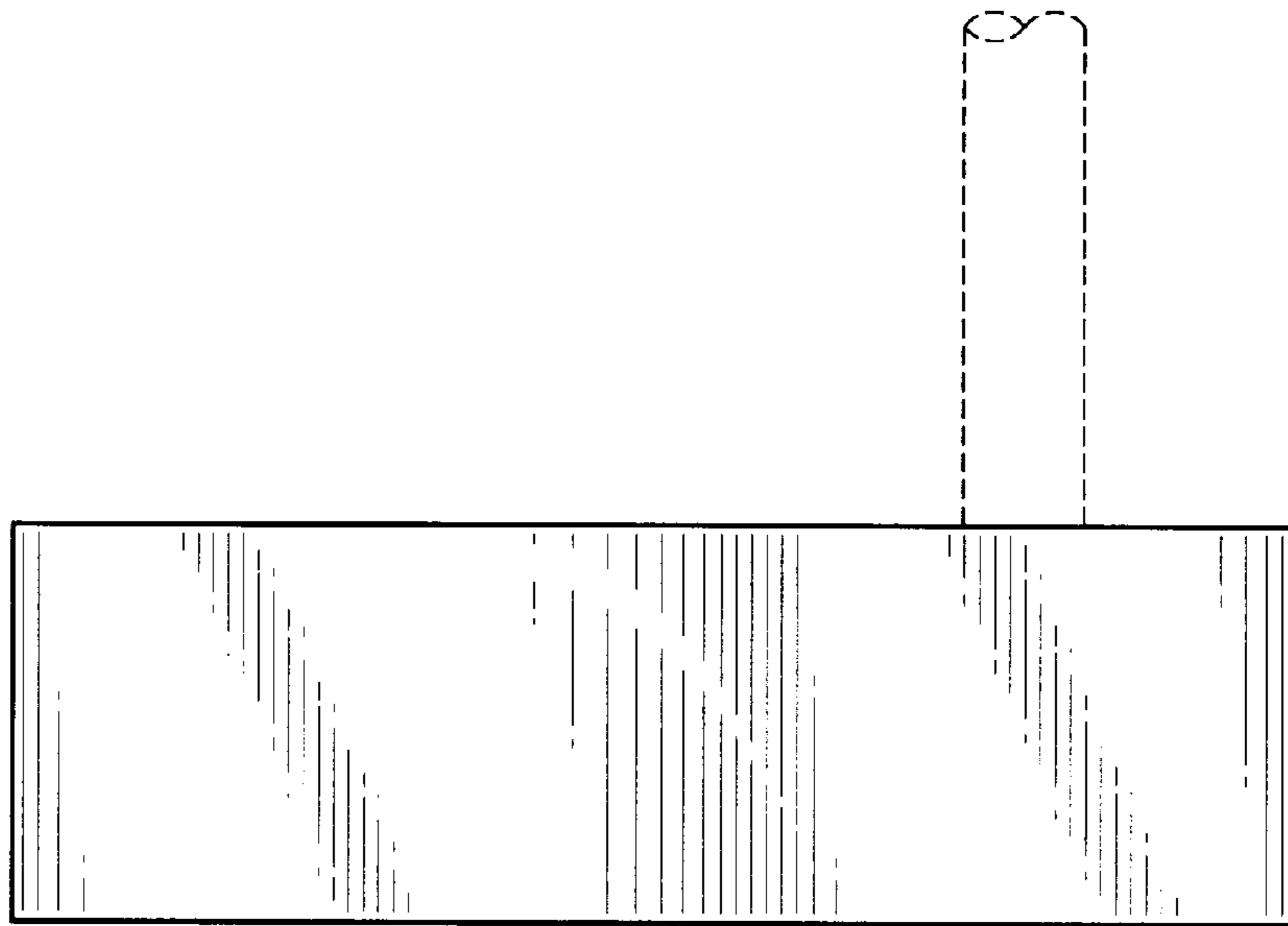


FIG-7