



US00D421467S

United States Patent [19]
D'Andrade et al.

[11] **Patent Number: Des. 421,467**
[45] **Date of Patent: ** Mar. 7, 2000**

[54] **WATER GUN**

[75] Inventors: **Bruce M. D'Andrade**, 3 Ten Eyck Rd.,
Whitehouse Station, N.J. 08889; **Jose**
Longoria, Miami, Fla.

[73] Assignee: **Bruce M. D'Andrade**, Whitehouse
Station, N.J.

[**] Term: **14 Years**

[21] Appl. No.: **29/090,089**

[22] Filed: **Jun. 30, 1998**

[51] **LOC (6) Cl.** **21-01**

[52] **U.S. Cl.** **D21/572**

[58] **Field of Search** D21/567, 572-575;
D14/117.8; D23/225, 226; 446/267, 473,
475; 222/78, 79; 239/211, 237, 229, 373;
D22/103; 124/78, 69, 6, 16, 27

[56] **References Cited**

U.S. PATENT DOCUMENTS

D. 340,957 11/1993 D'Andrade D21/572

D. 343,873 2/1994 Algner D21/573
D. 374,463 10/1996 Butler et al. D14/117.8
5,261,384 11/1993 Hu 446/473
5,373,832 12/1994 D'Andrade 124/69
5,799,827 9/1998 D'Andrade 222/79
5,829,635 11/1998 Brovelli 446/475

Primary Examiner—Raphael Barkai
Attorney, Agent, or Firm—Akin, Gump, Strauss, Hauer &
Feld, L.L.P.

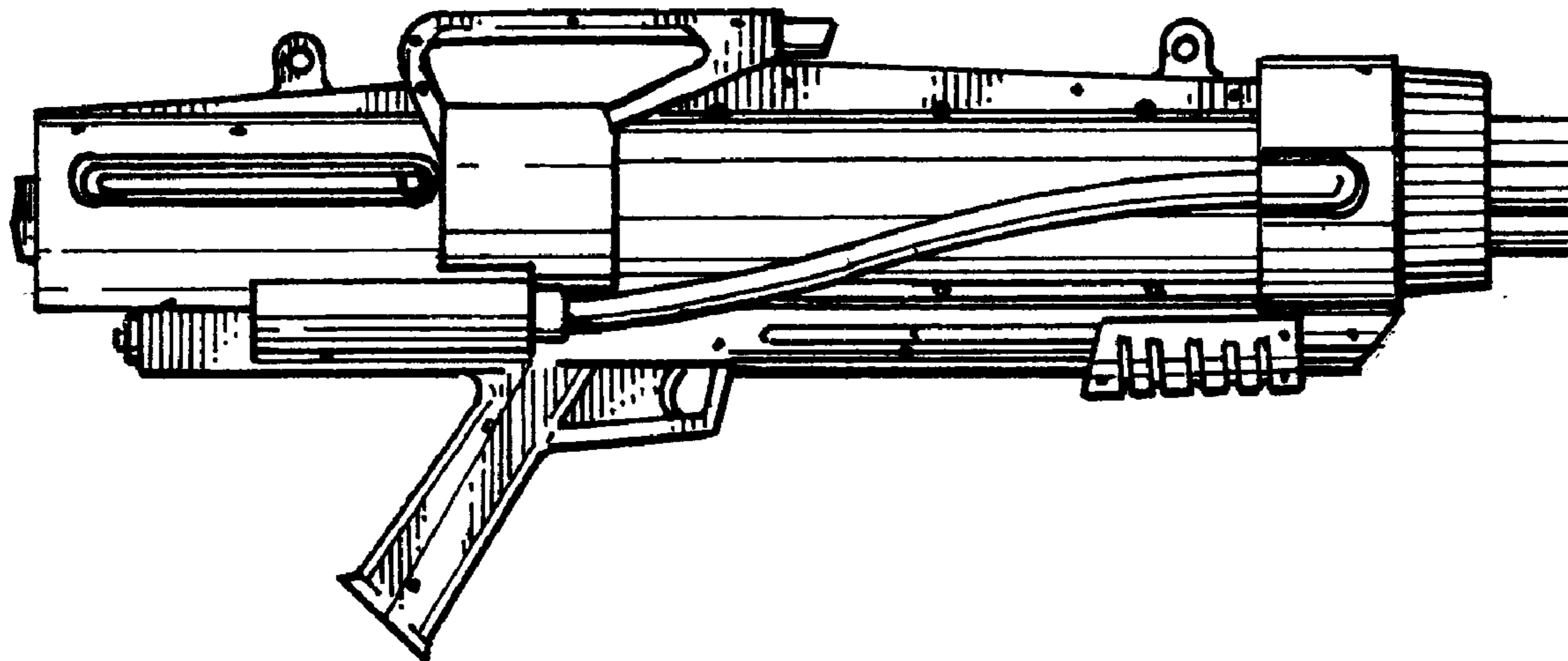
[57] **CLAIM**

The ornamental design for the water gun, as shown and
described.

DESCRIPTION

FIG. 1 is a left side elevational view of a water gun in
accordance with our new design;
FIG. 2 is a right side elevational view thereof;
FIG. 3 is a front elevational view thereof;
FIG. 4 is a rear elevational view thereof;
FIG. 5 is a top plan view thereof; and,
FIG. 6 is a bottom view thereof.

1 Claim, 2 Drawing Sheets



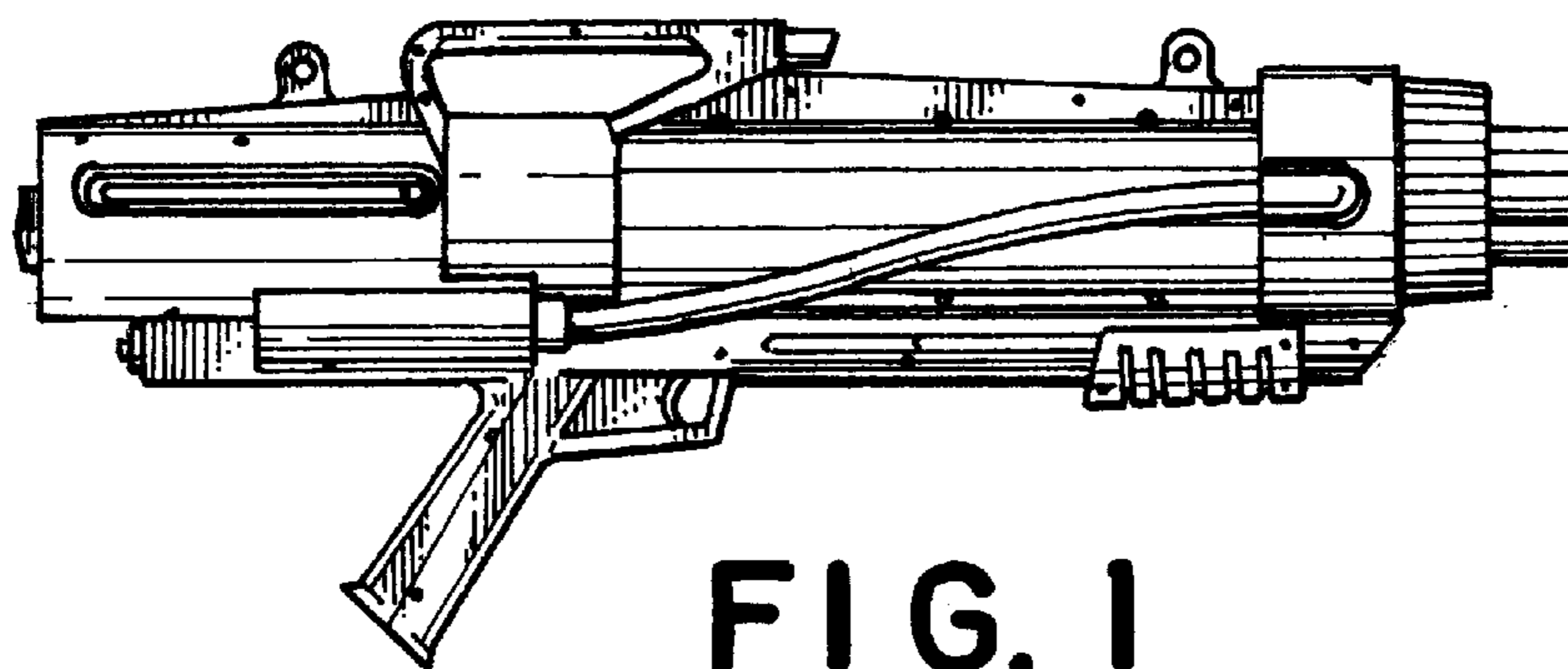


FIG. 1

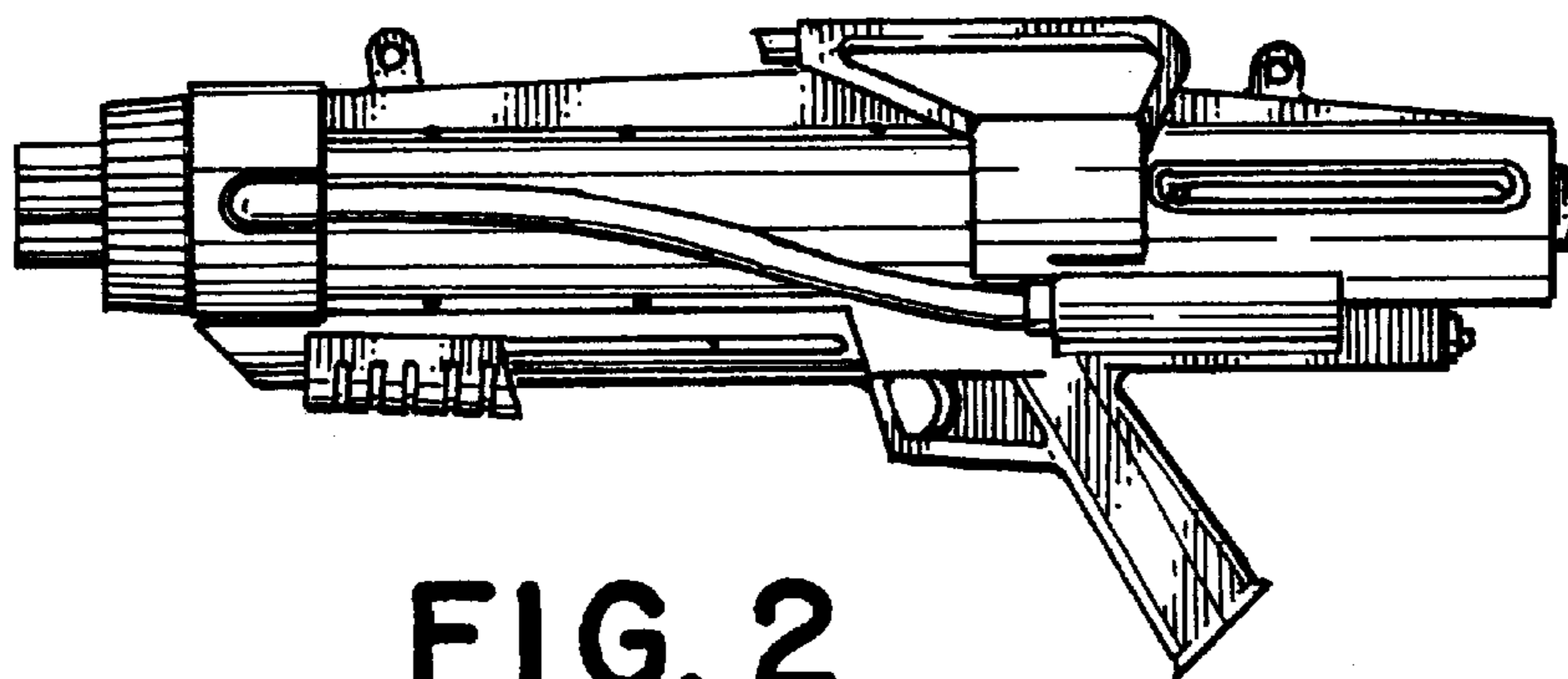


FIG. 2

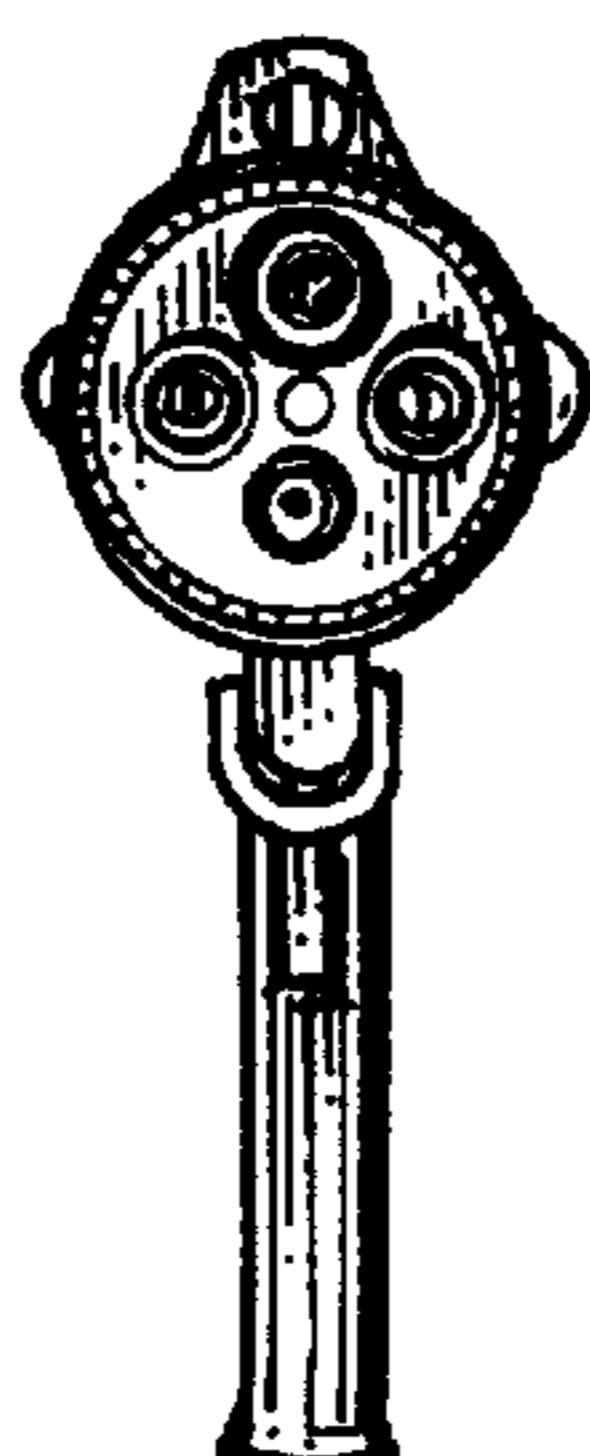


FIG. 3

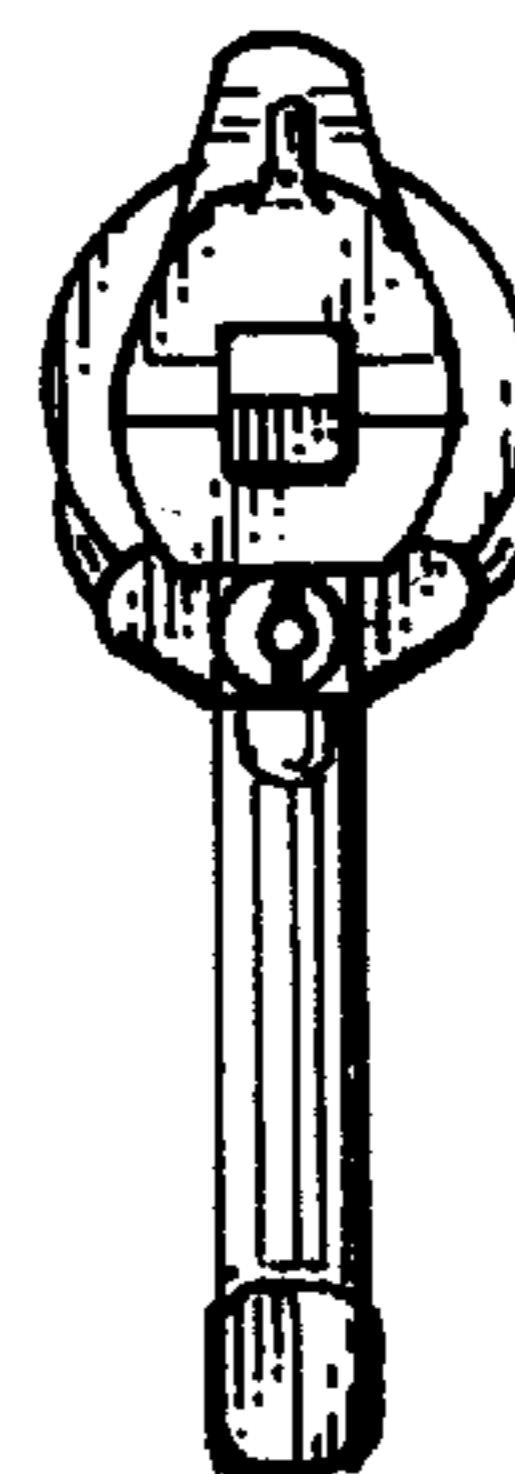


FIG. 4

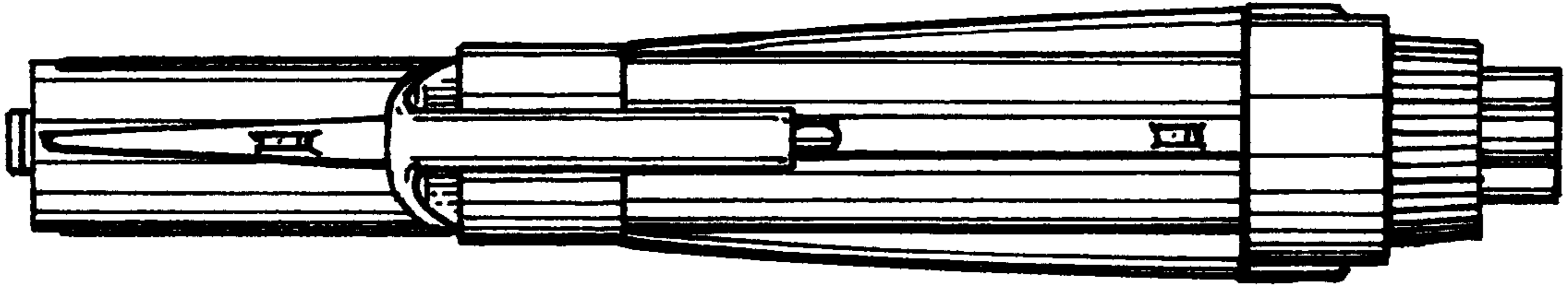


FIG. 5

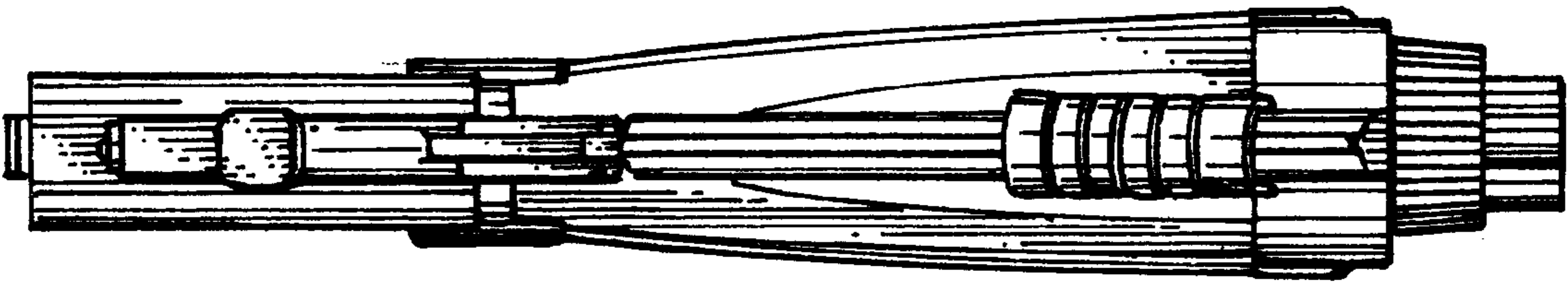


FIG. 6