



US00D421463S

United States Patent [19] Pescatore

[11] **Patent Number: Des. 421,463**
[45] **Date of Patent: ** Mar. 7, 2000**

[54] **FREE STANDING PHOTO ALBUM**

[75] Inventor: **Peter J. Pescatore**, Cohasset, Mass.

[73] Assignee: **Fetco International, Inc.**, Randolph, Mass.

[**] Term: **14 Years**

[21] Appl. No.: **29/102,385**

[22] Filed: **Mar. 24, 1999**

[51] **LOC (6) Cl.** **19-02**

[52] **U.S. Cl.** **D19/90; D19/76**

[58] **Field of Search** **D6/300-310; D19/35, D19/36, 65, 75, 76, 86, 90, 91, 95, 99, 100; 40/371-380, 725, 726, 745, 107-122; 211/10, 11, 50**

[56] **References Cited**

U.S. PATENT DOCUMENTS

- D. 159,472 8/1950 Cleiff D19/92
- D. 190,260 5/1961 Neilsen D19/76
- D. 214,143 5/1969 Goery D19/76
- D. 232,334 8/1974 Neilsen D19/76

- D. 235,257 6/1975 Perry D19/76
- D. 248,964 8/1978 Kizlauskas D19/76
- D. 308,228 5/1990 Gecchelin D19/90
- D. 314,013 1/1991 Rowe D19/86 X

Primary Examiner—Martie K. Holtje
Attorney, Agent, or Firm—Salter & Michaelson

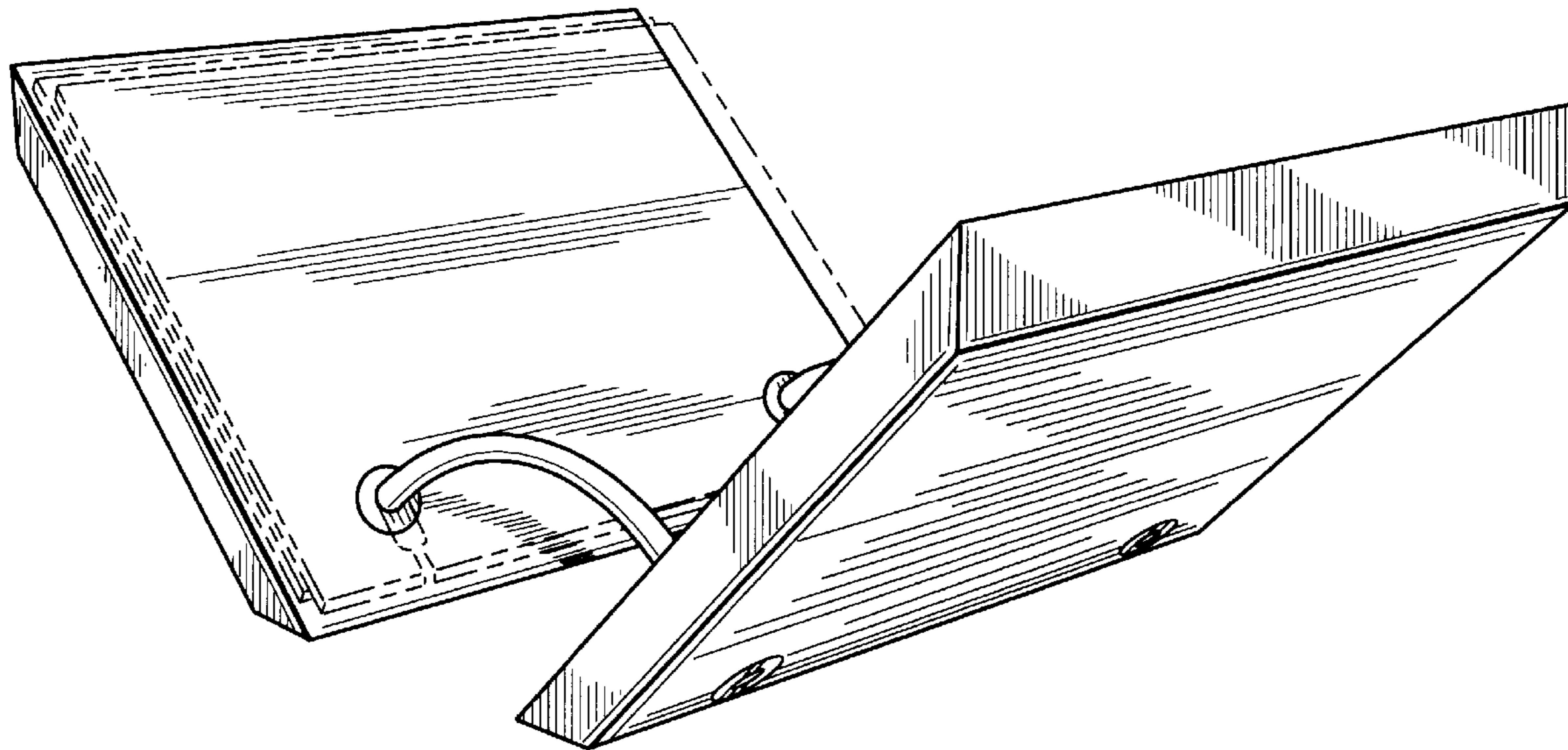
[57] **CLAIM**

The ornamental design for a free standing photo album, as shown and described.

DESCRIPTION

FIG. 1 is a perspective view of a free standing photo album showing my new design;
FIG. 2 is a top plan view thereof;
FIG. 3 is a bottom plan view thereof;
FIG. 4 is a right side elevational view thereof (the left side elevational view is a mirror image thereof); and,
FIG. 5 is a front elevational view thereof (the rear elevational view is a mirror image thereof).
The portion shown in broken lines in FIG. 1 is included for illustrative purposes only and forms no part of the claimed design.

1 Claim, 3 Drawing Sheets



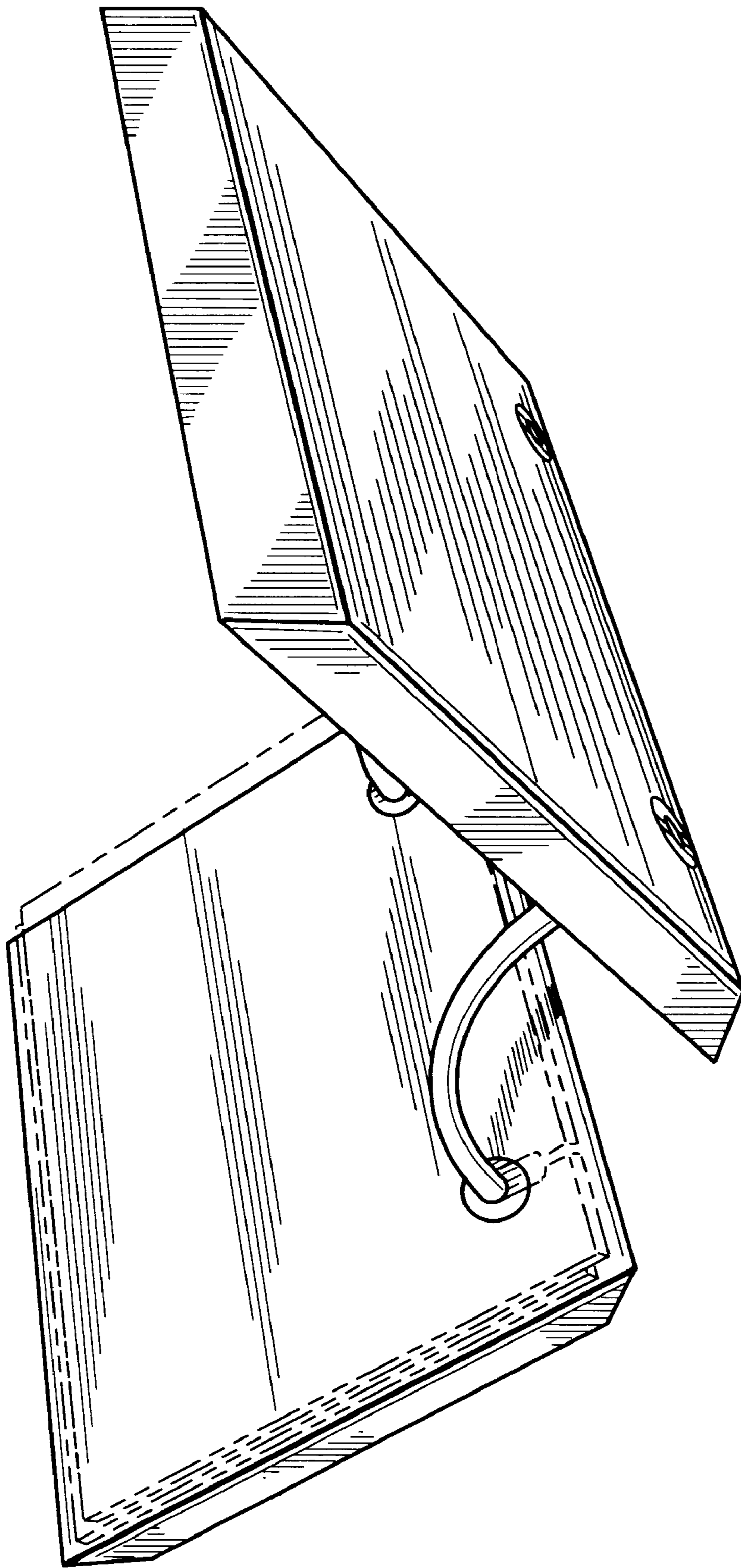


FIG. 1

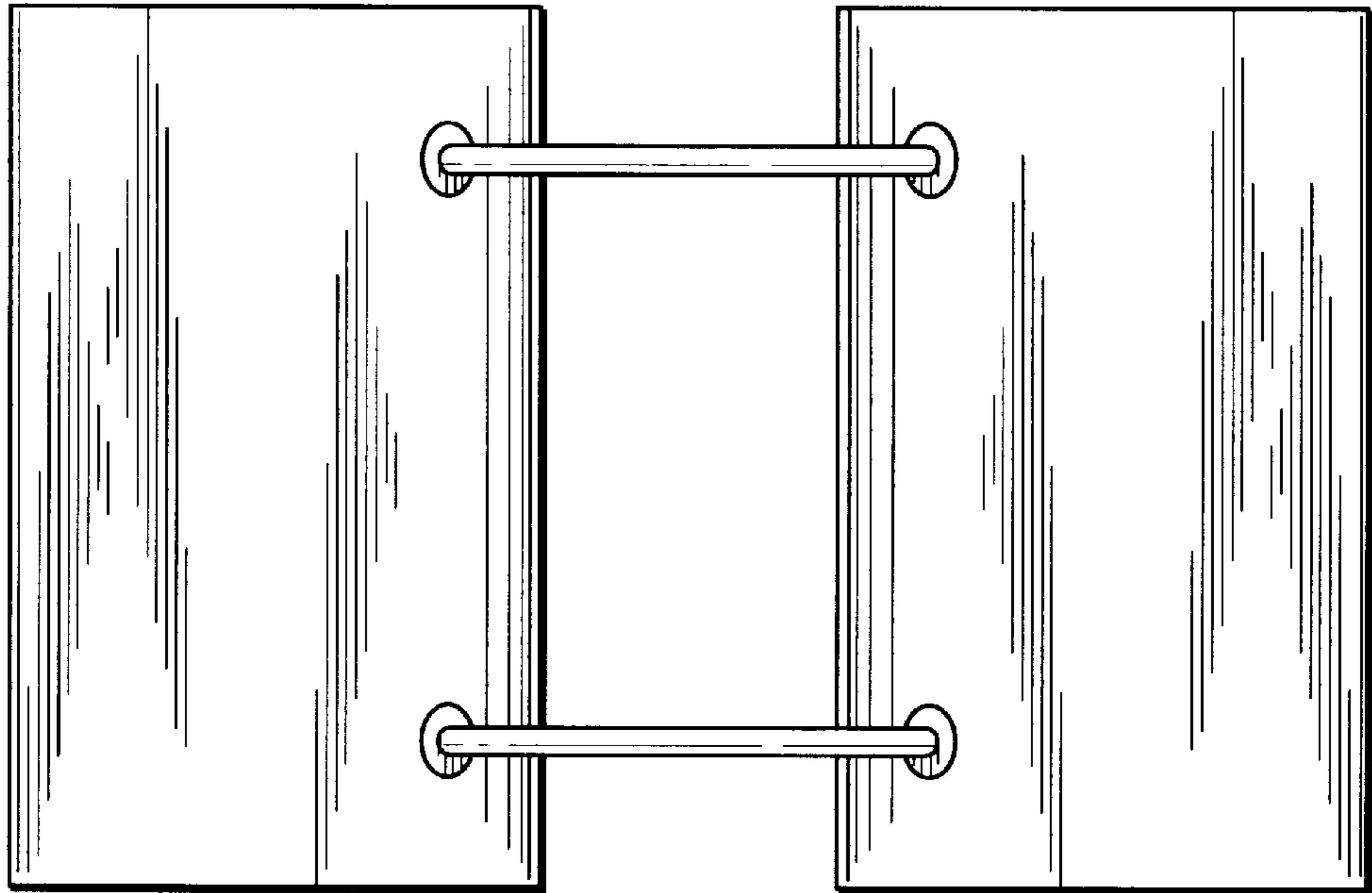


FIG. 2

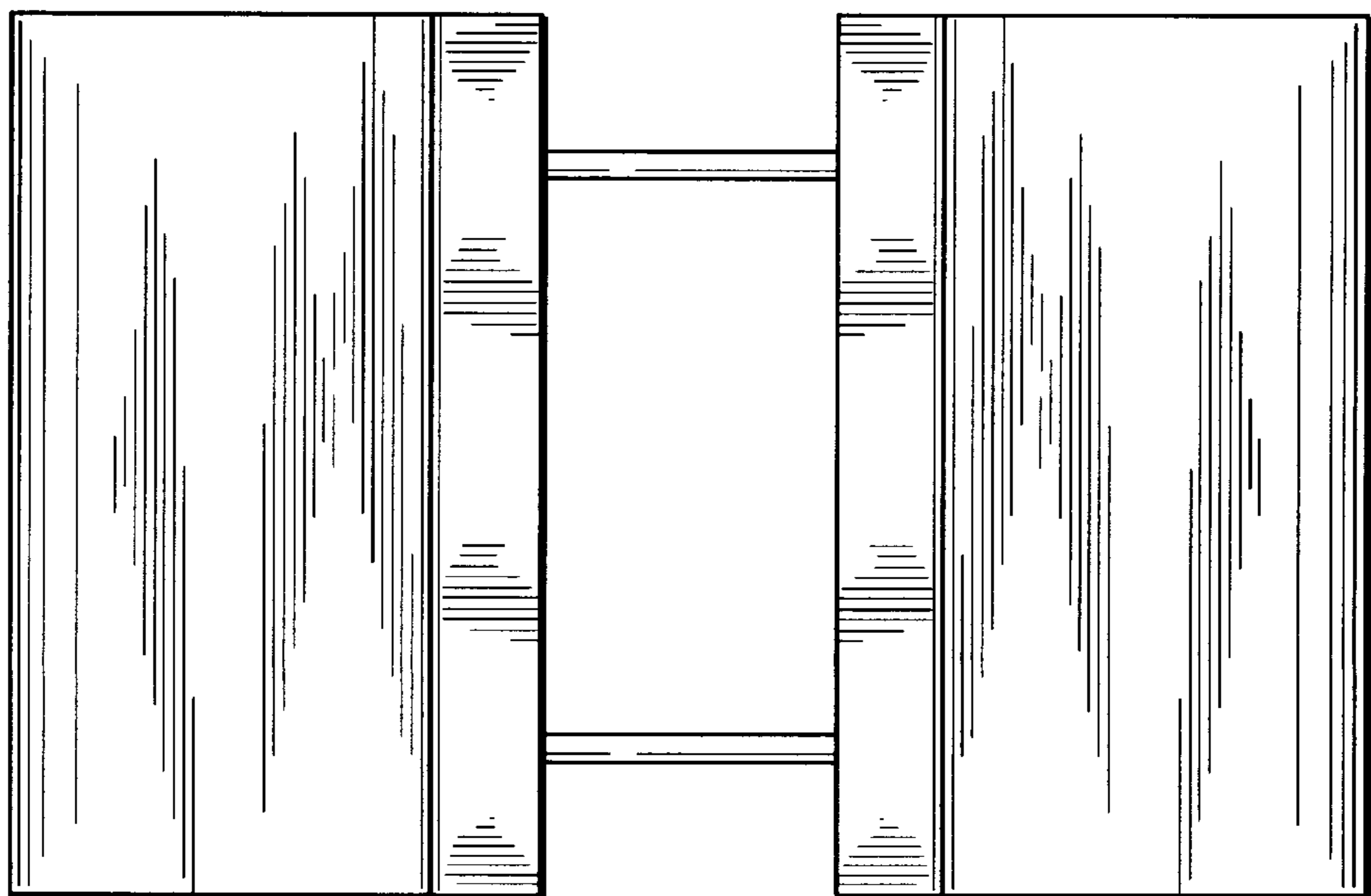


FIG. 3

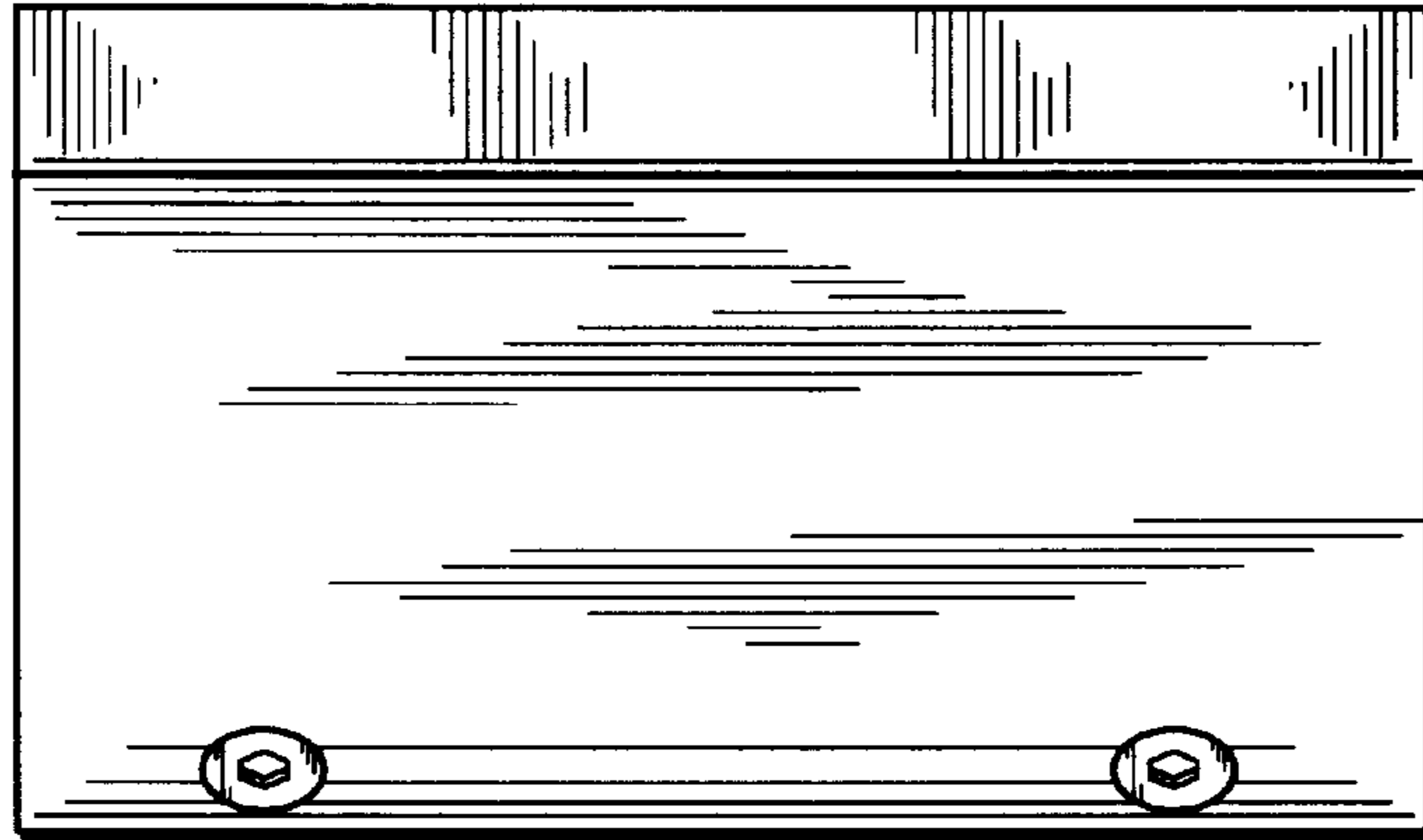


FIG. 4

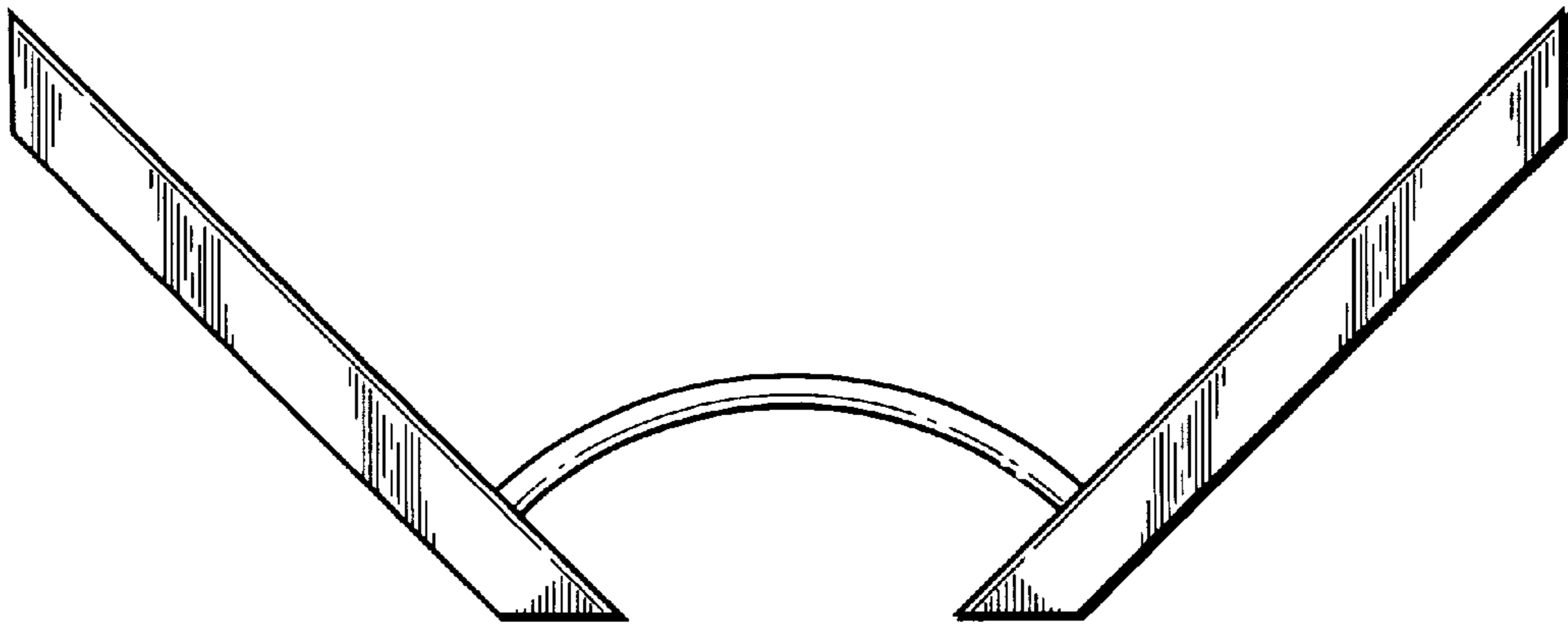


FIG. 5