



US00D421459S

# United States Patent [19] Cobb

[11] **Patent Number: Des. 421,459**  
[45] **Date of Patent: \*\* Mar. 7, 2000**

[54] **ENVELOPE FLAP WITH HANGER**

[76] Inventor: **Timothy A. Cobb**, Staccato Design,  
Suite 420, 700 SW. Taylor St., Portland,  
Oreg. 97205

[\*\*] Term: **14 Years**

[21] Appl. No.: **29/105,144**

[22] Filed: **May 19, 1999**

[51] **LOC (6) Cl.** ..... **19-01**

[52] **U.S. Cl.** ..... **D19/3**

[58] **Field of Search** ..... D19/1, 2, 3, 4;  
40/124.09, 124.19, 617; D20/22; 229/68.1,  
68.2, 77, 302, 303, 922, 929, 930; 283/103,  
116, 117

[56] **References Cited**

**U.S. PATENT DOCUMENTS**

D. 261,154	10/1981	Thresher	.....	D19/4
1,291,024	1/1919	Kleebauer	.....	229/68.2
1,611,163	12/1926	Codos	.....	229/68.2
1,675,439	7/1928	Wolf	.....	229/68.2
1,718,298	6/1929	Markman	.....	229/68.2

*Primary Examiner*—Doris V. Coles

*Assistant Examiner*—Mimosa De

*Attorney, Agent, or Firm*—Ipsolon LLP

[57] **CLAIM**

The ornamental design for an envelope flap with hanger, as shown and described.

**DESCRIPTION**

FIG. 1 is a front elevation view of a preferred embodiment of an envelope flap of the present invention extending from an environment of an envelope, the back elevation view of the envelope flap being a mirror image thereof;

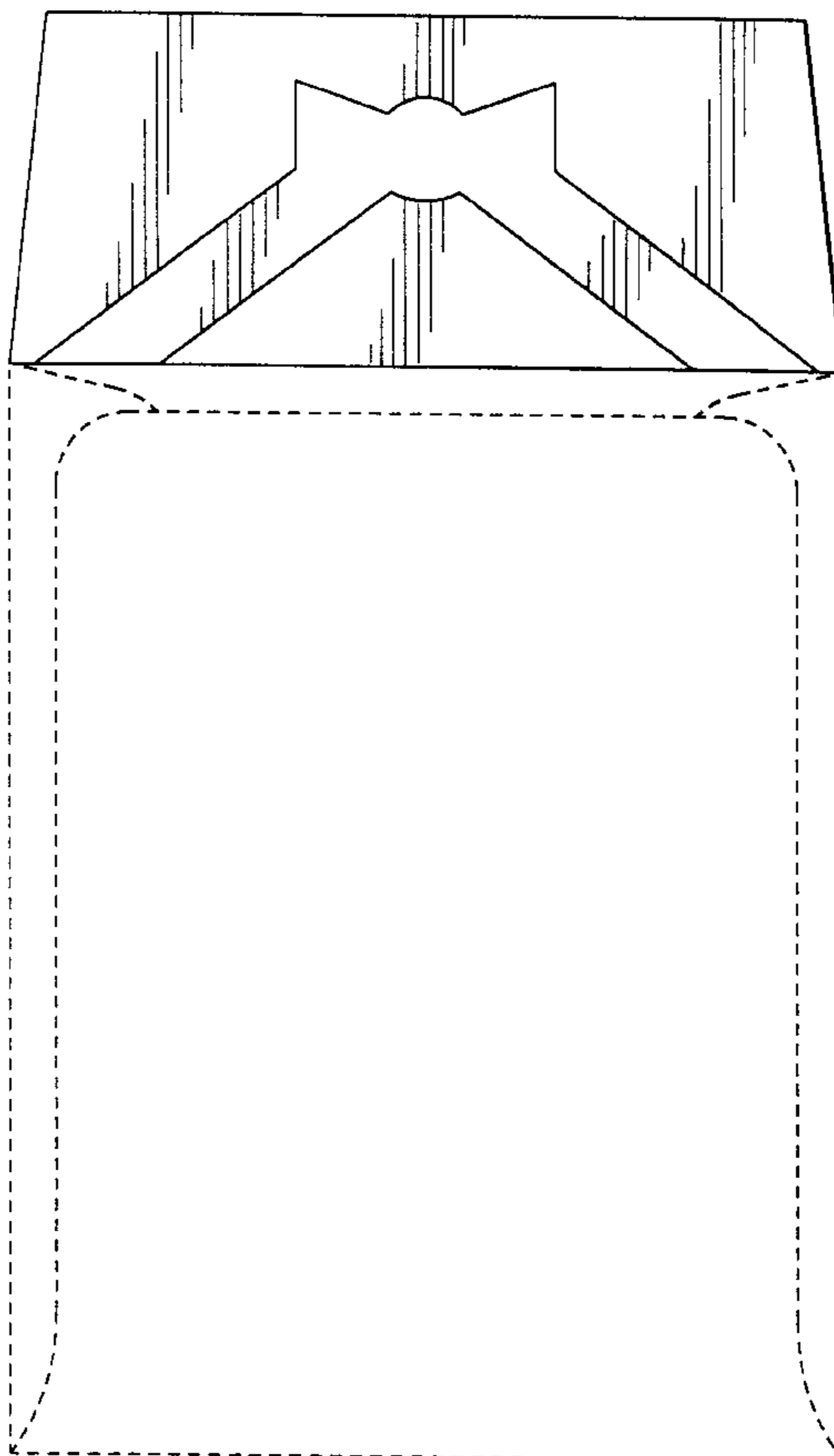
FIG. 2 is a top plan view of the envelope flap of FIG. 1;

FIG. 3 is a right side elevation view of the envelope flap of FIG. 1, the left side elevation view of the envelope flap being a mirror image thereof;

FIG. 4 is a front elevation view of the envelope flap of FIG. 1 wherein a portion of the envelope flap is folded back against the environment of the envelope and a hanger portion is extending from the environment of the envelope; FIG. 5 is a top plan view of the envelope flap of FIG. 4; and, FIG. 6 is a right side elevation view of the envelope flap of FIG. 4, the left side elevation view being a mirror image thereof.

The broken lines of FIGS. 1-4 and FIG. 6 represent the environment of an envelope to which the envelope flap of the present invention may be coupled. The envelope does not form a part of the invention.

**1 Claim, 2 Drawing Sheets**



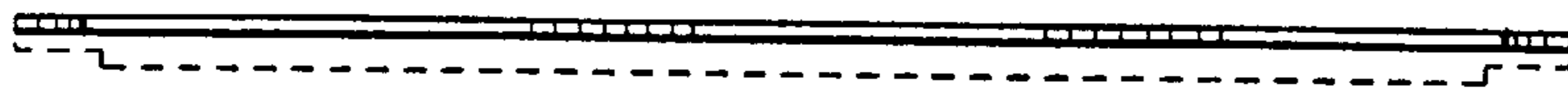


FIG.2

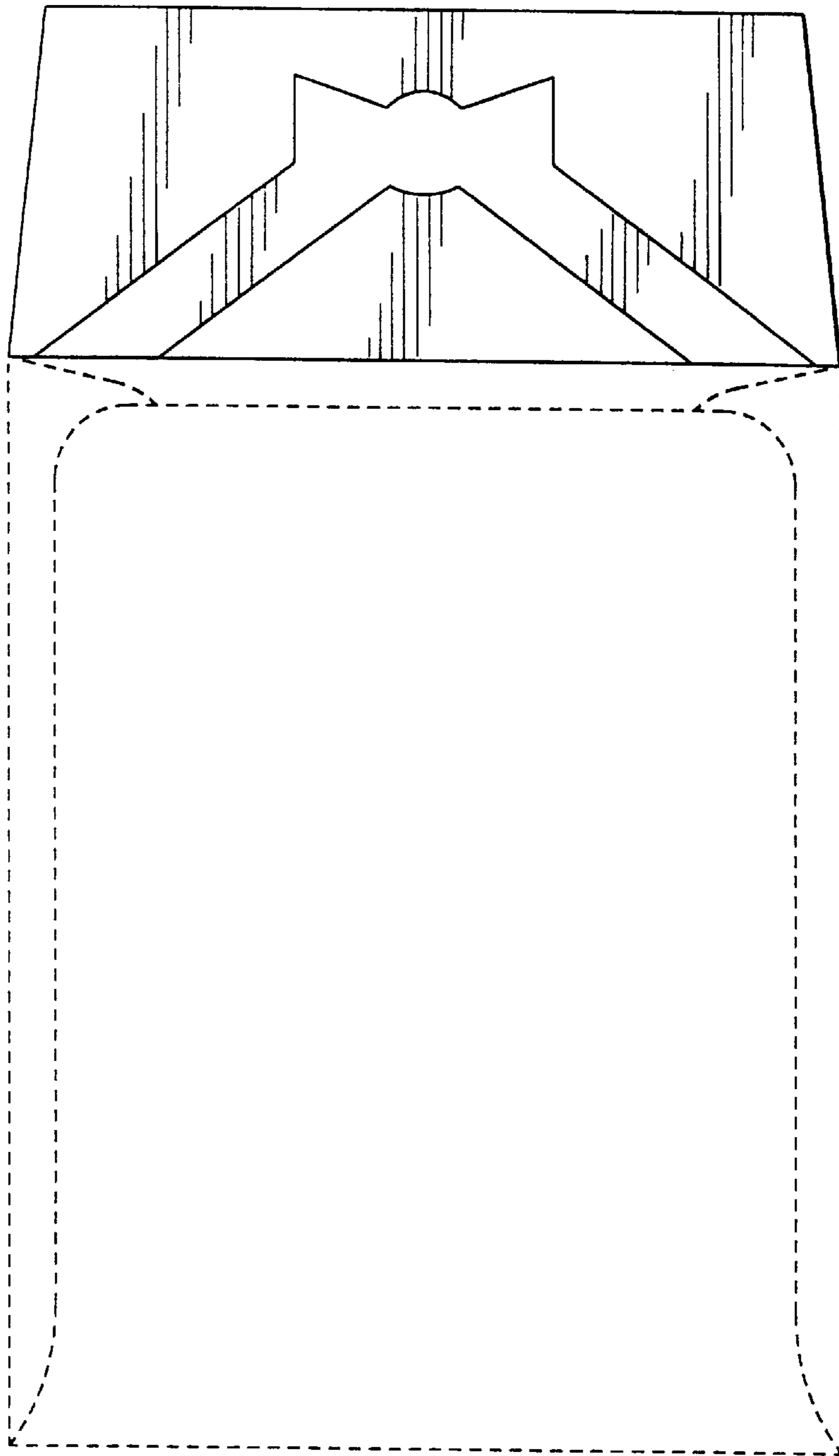


FIG.1



FIG.3

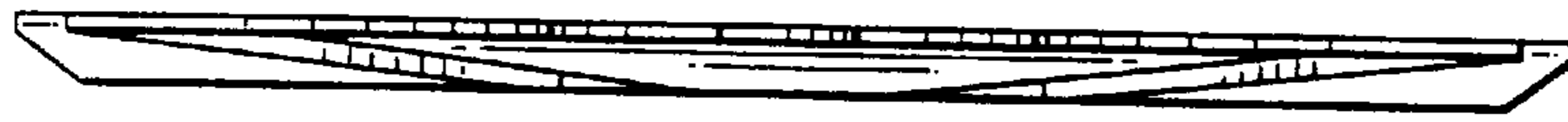


FIG. 5

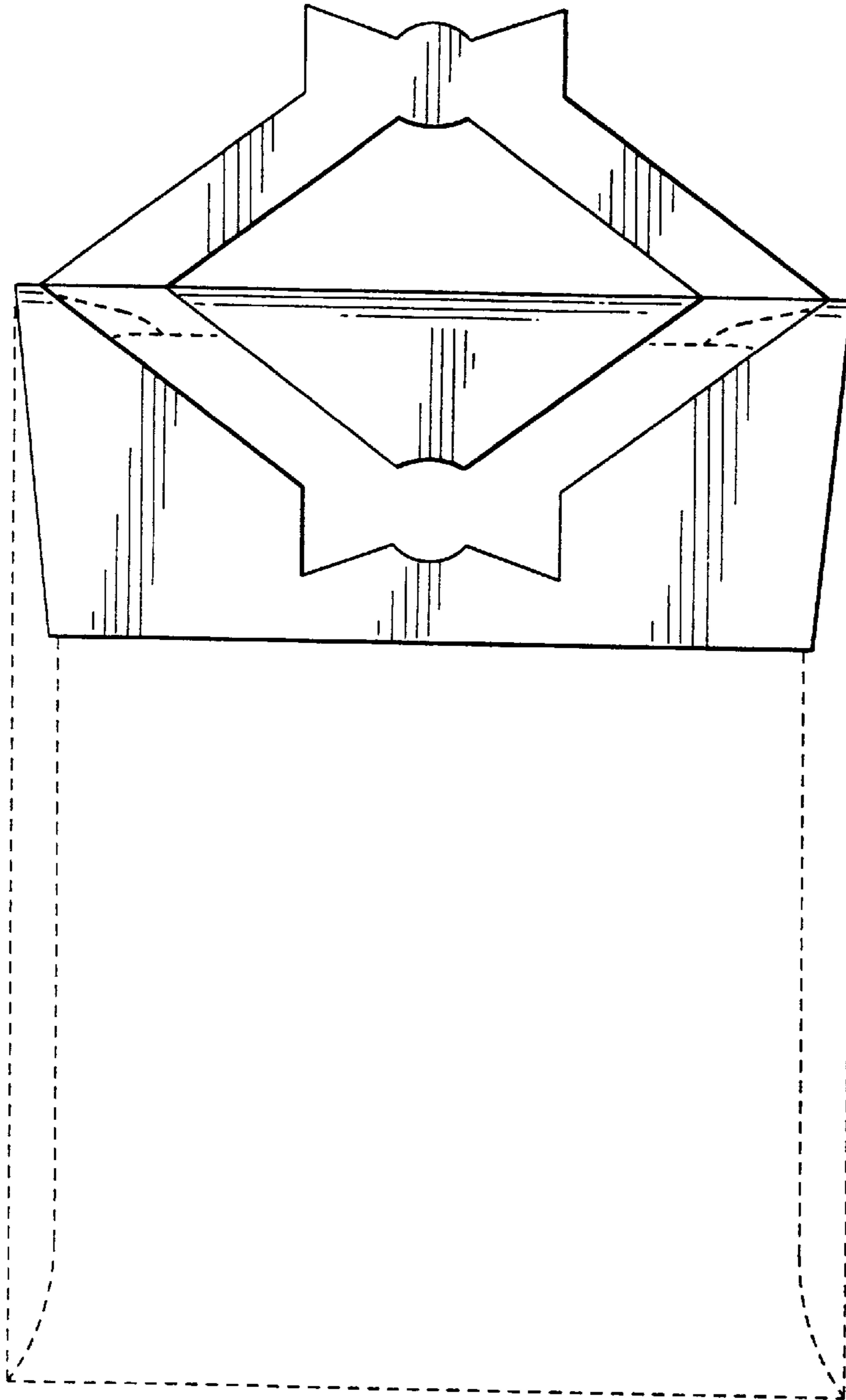


FIG. 4



FIG. 6