



US00D421455S

United States Patent [19]

Kobayashi et al.

[11] Patent Number: **Des. 421,455**

[45] Date of Patent: **** Mar. 7, 2000**

[54] **PRINTER FOR COMPUTER**

[75] Inventors: **Makoto Kobayashi; Toshihiro Hayakawa**, both of Suwa, Japan

[73] Assignee: **Seiko Epson Corporation**, Tokyo, Japan

[**] Term: **14 Years**

[21] Appl. No.: **29/088,395**

[22] Filed: **May 22, 1998**

[30] Foreign Application Priority Data

Nov. 27, 1997 [JP] Japan 9-76627

[51] **LOC (6) Cl.** **14-02**

[52] **U.S. Cl.** **D18/54; D18/55**

[58] **Field of Search** D18/50, 54-55, D18/36-37, 39; 400/613, 613.1-613.4, 690.1-690.4, 691-694

[56] References Cited

U.S. PATENT DOCUMENTS

- D. 324,233 2/1992 Sawa et al. D18/54
- D. 326,110 5/1992 Tashiro et al. D18/55
- D. 337,609 7/1993 Fukuda D18/55
- D. 351,189 10/1994 Yamaguchi et al. D18/55

- D. 376,814 12/1996 Asai et al. D18/50
- D. 379,196 5/1997 Laidlaw D18/55
- D. 382,582 8/1997 Igarashi et al. D18/55
- D. 389,861 1/1998 Kobayashi et al. D18/55
- D. 405,109 2/1999 Kenmochi et al. D18/54
- D. 405,110 2/1999 Yamamoto et al. D18/54
- D. 413,141 8/1999 Matsumoto D18/55

OTHER PUBLICATIONS

“ESPER-EPSON Solution Printer for Network”, Apr. 20, 1996, Brochure, 5 pages.

Primary Examiner—Cathy Anne MacCormac
Attorney, Agent, or Firm—Sughrue, Mion, Zinn, Macpeak & Seas, PLLC

[57] CLAIM

The ornamental design for a printer for computer, as shown.

DESCRIPTION

FIG. 1 is a perspective view of the top, front and right side of a printer for computer showing our new design; FIG. 2 is a front elevational view thereof; FIG. 3 is a rear elevational view thereof; FIG. 4 is a top plan view thereof; FIG. 5 is a right side elevational view thereof; FIG. 6 is a left side elevational view thereof; and, FIG. 7 is a bottom plan view thereof.

1 Claim, 5 Drawing Sheets

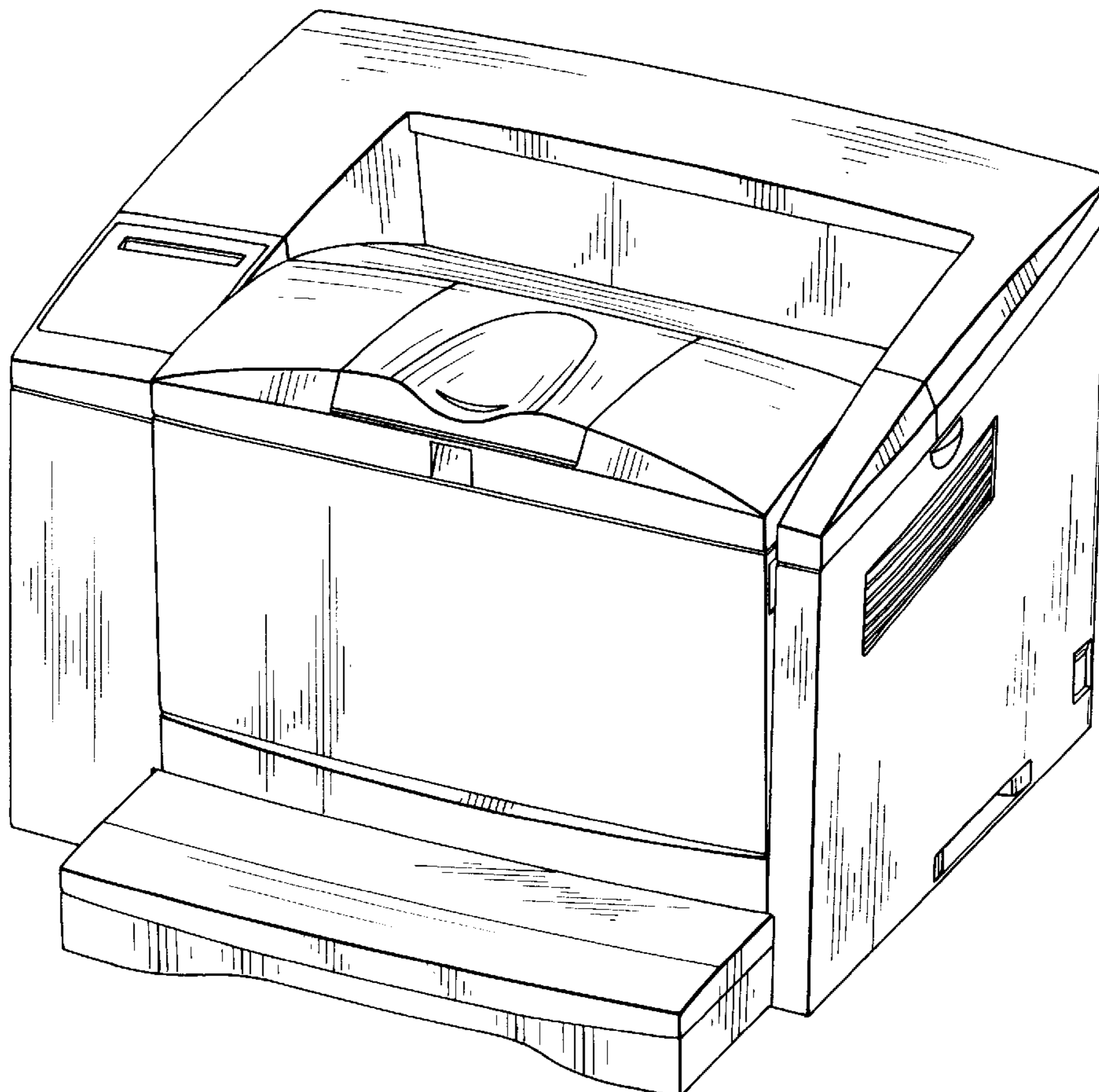


FIG. 1

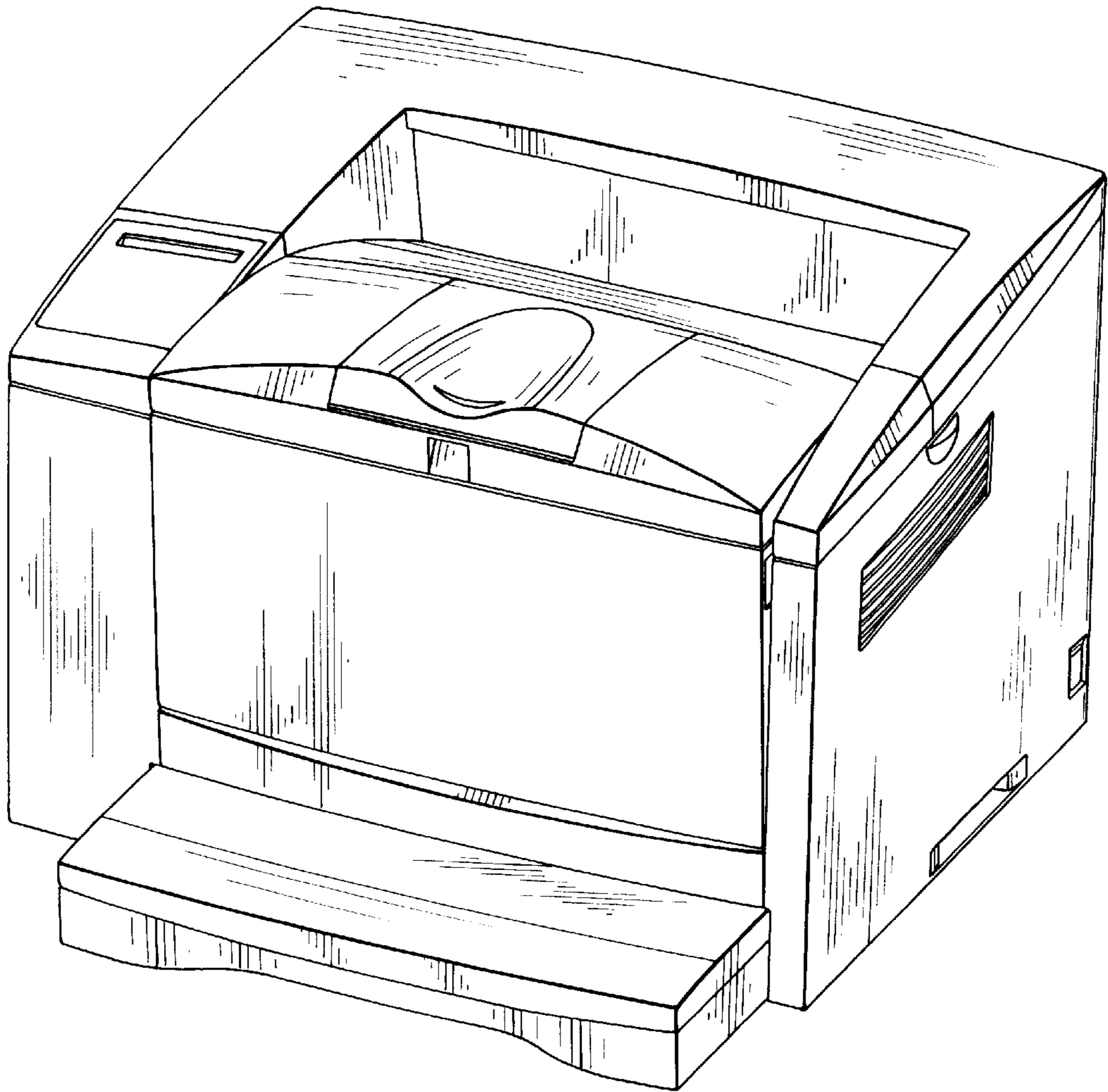


FIG. 2

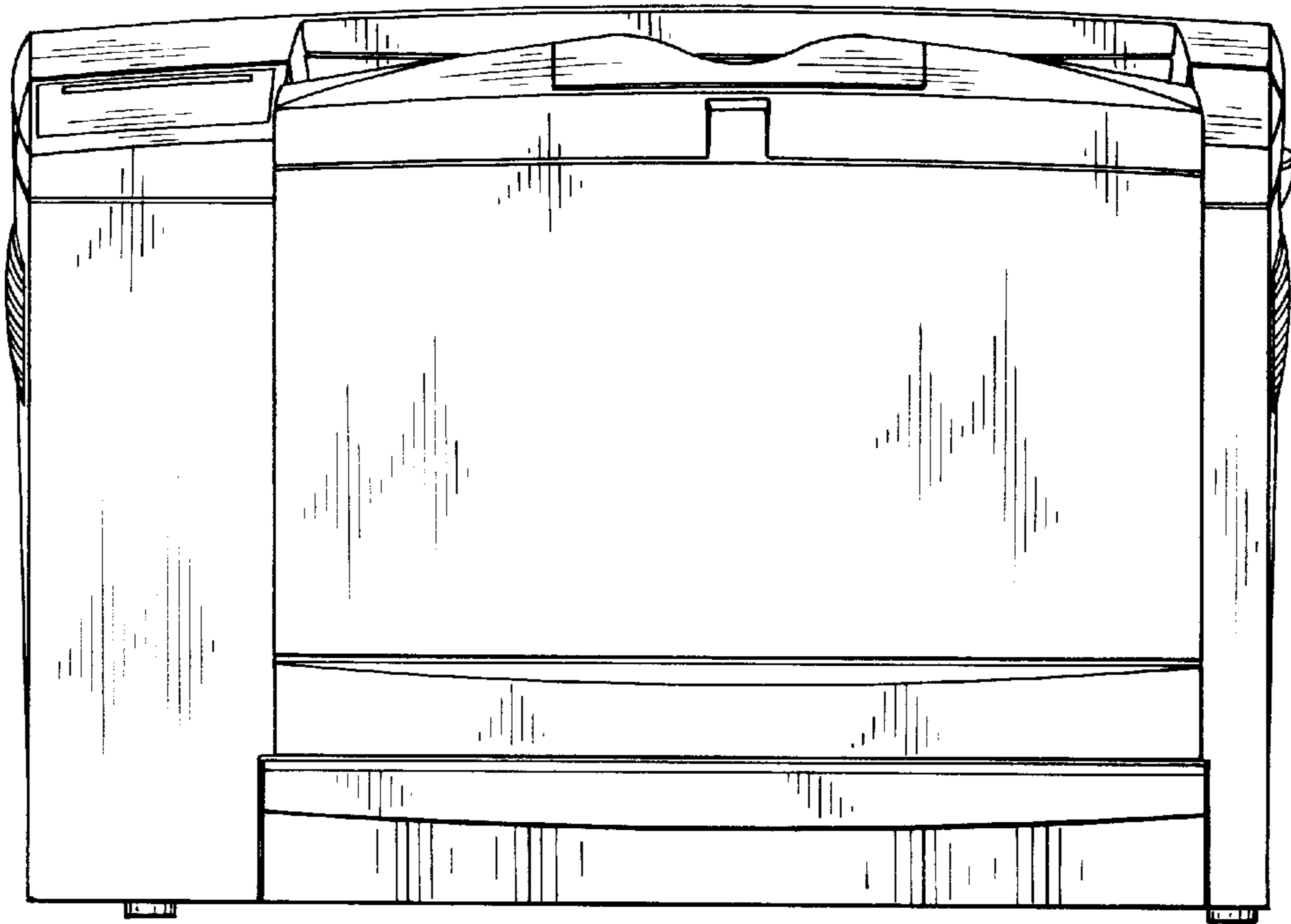


FIG. 3

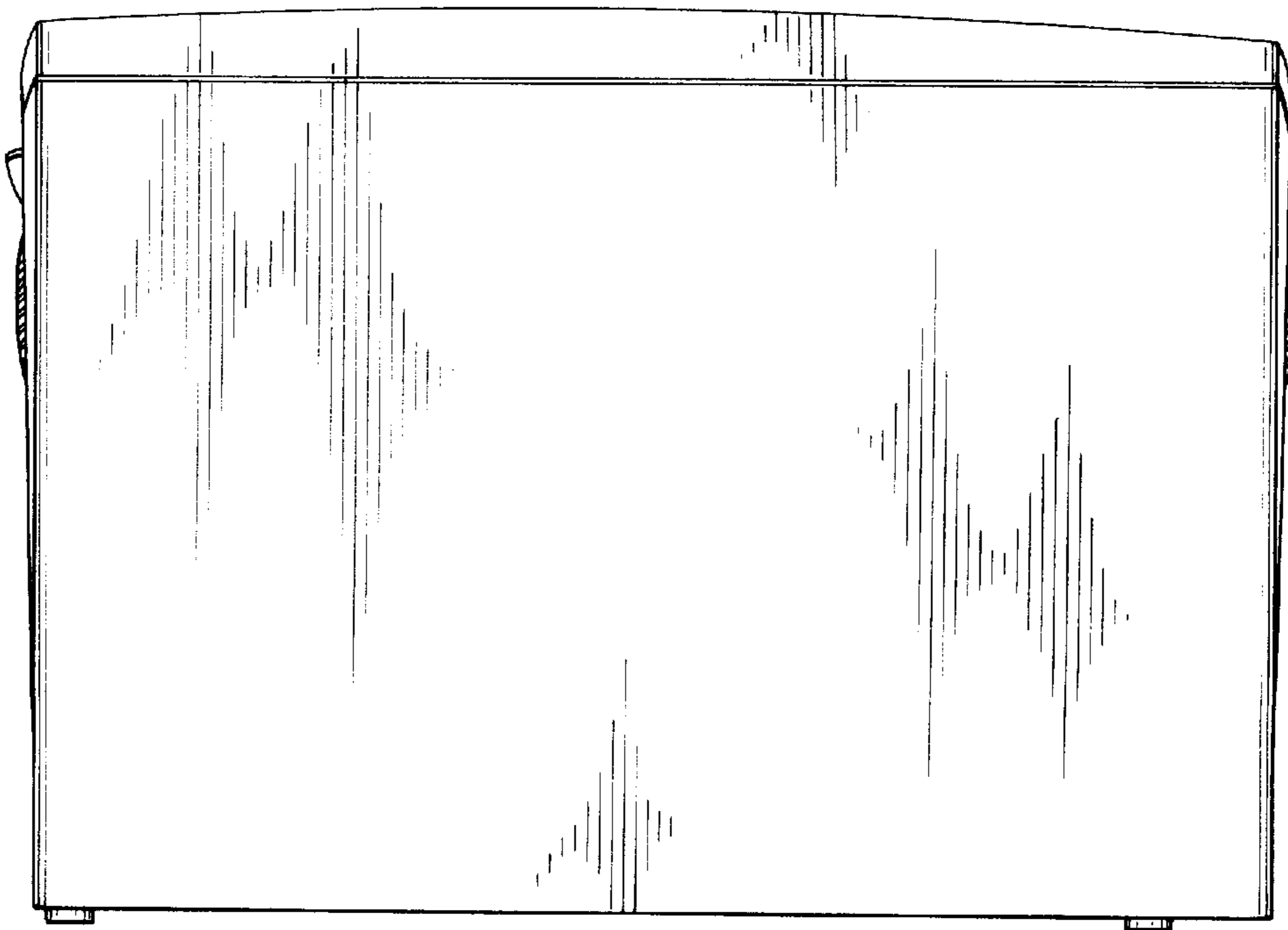


FIG. 4

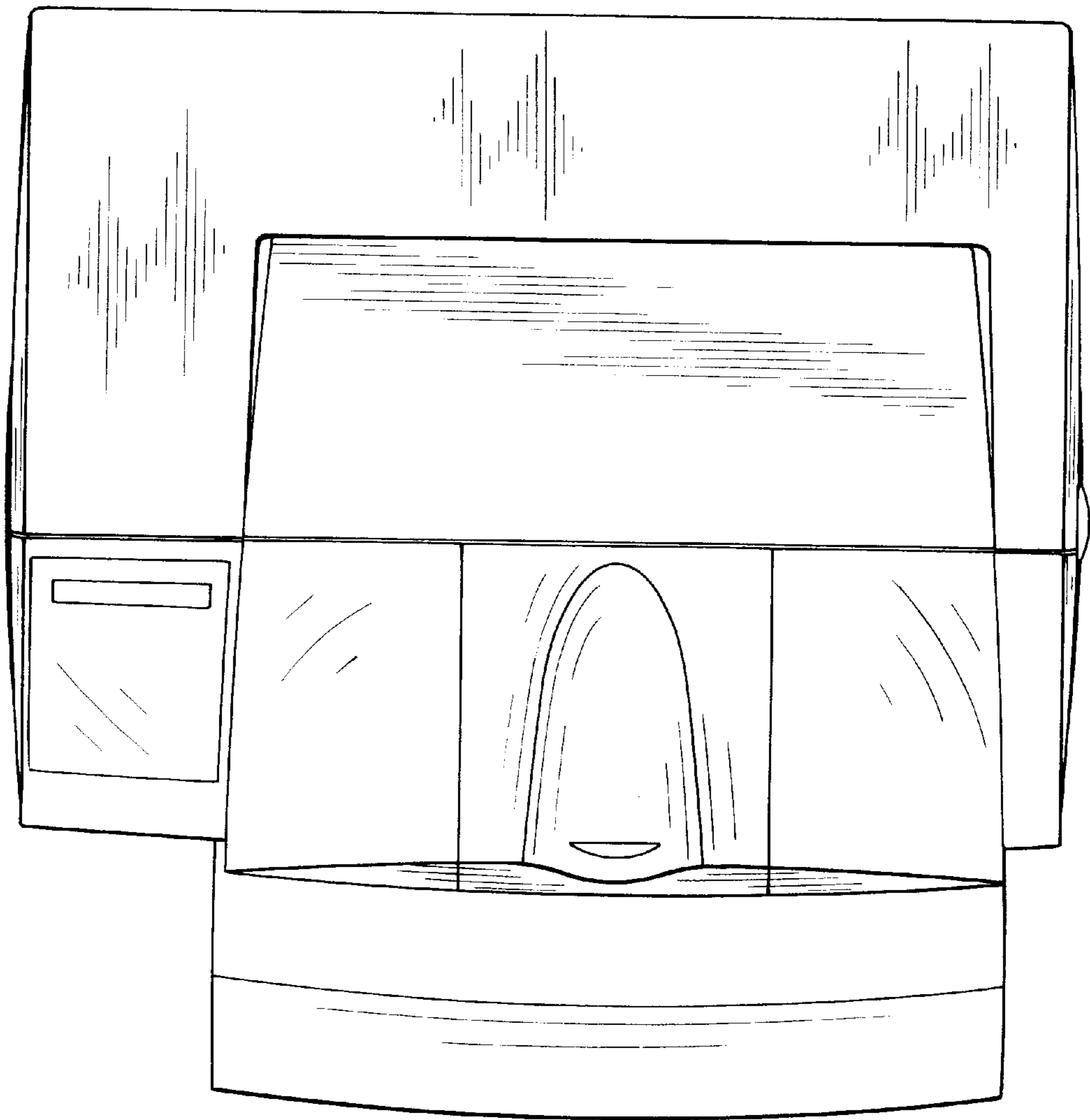


FIG. 5

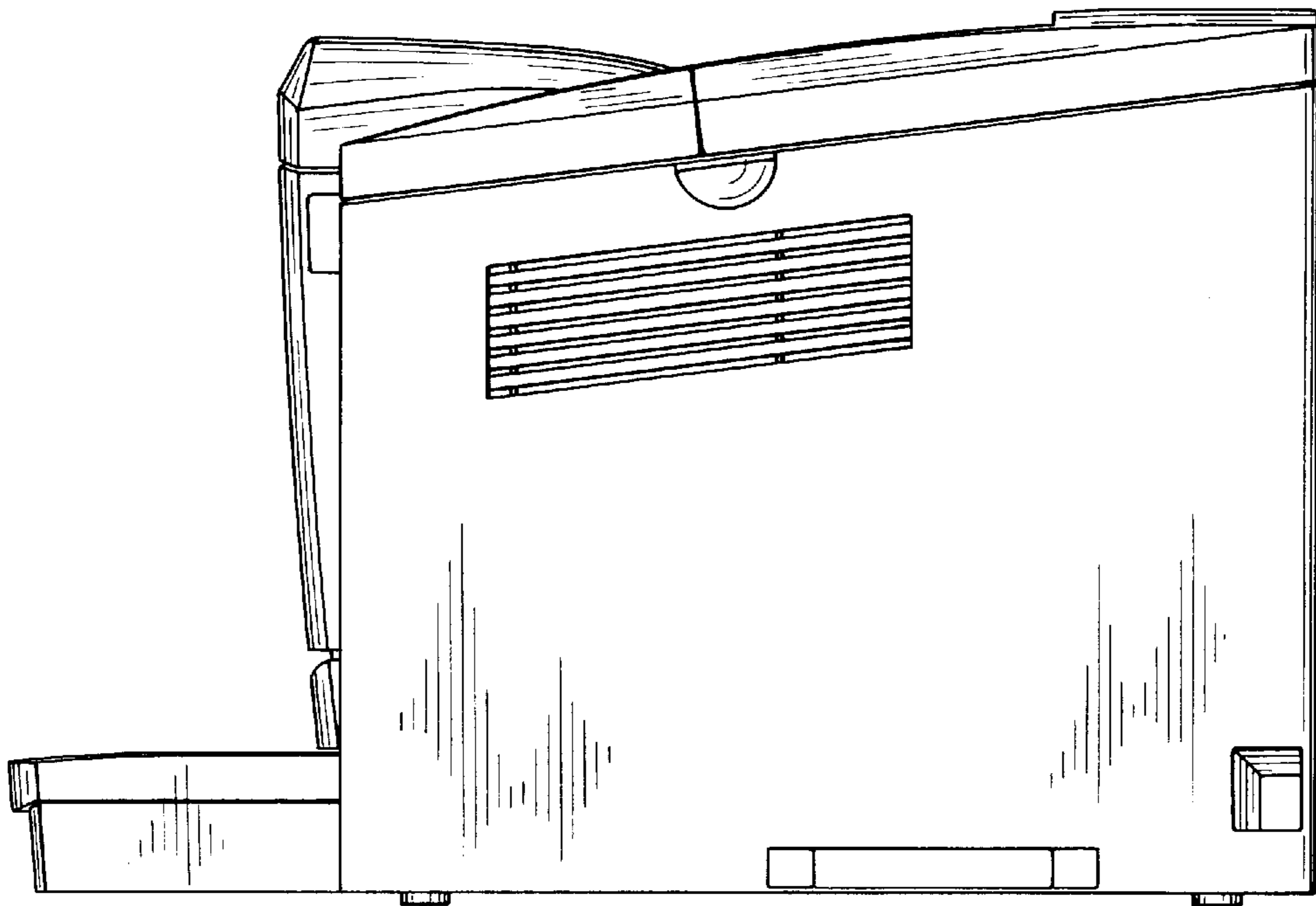


FIG. 6

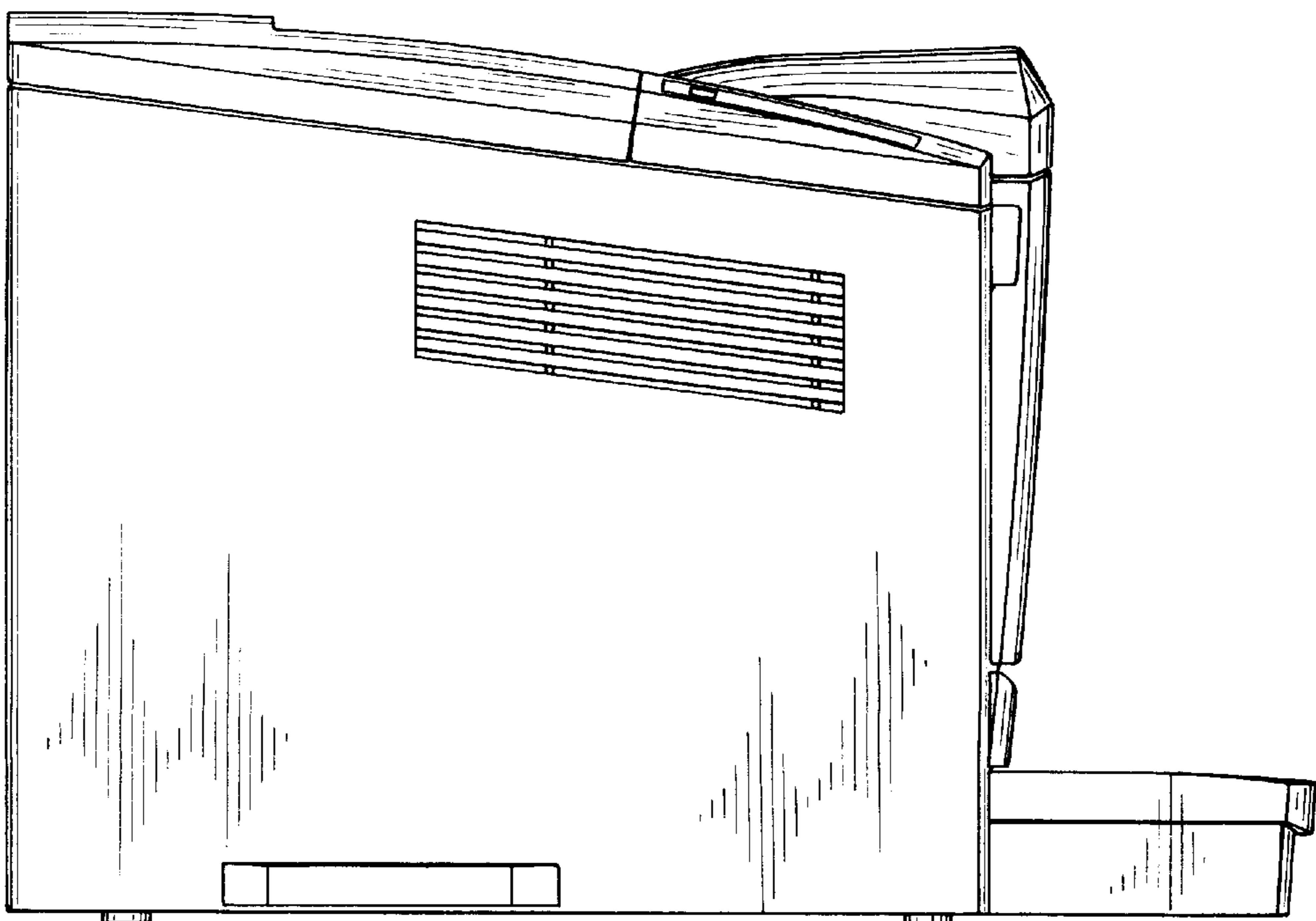


FIG. 7

