



US00D421447S

United States Patent [19]

[11] **Patent Number: Des. 421,447**

Eason et al.

[45] **Date of Patent: ** Mar. 7, 2000**

[54] **TRIPOD**

[75] **Inventors: Donald H. Eason; Kenneth W. House**, both of Fort Collins; **Douglas A Kempel**, Wellington; **Tillman F. Taylor, Jr.; Robin R. Slaton**, both of Fort Collins; **Jonathan P. Workman**, Masonville, all of Colo.

[73] **Assignee: Ultimate Support Systems, Inc.**, Fort Collins, Colo.

[**] **Term: 14 Years**

[21] **Appl. No.: 29/082,414**

[22] **Filed: Jan. 15, 1998**

[51] **LOC (6) Cl. 16-05**

[52] **U.S. Cl. D16/244**

[58] **Field of Search** D6/431; D8/394, D8/396; D16/242, 244, 245; 248/163.1, 166, 168, 170, 171, 188.7; 396/419

[56] **References Cited**

U.S. PATENT DOCUMENTS

D. 198,296	5/1964	Resk	D16/244
D. 289,835	5/1987	Schoenig et al.	D6/462
D. 299,244	1/1989	Jones et al.	D16/244
D. 335,889	5/1993	Gibran	D16/244
D. 356,901	4/1995	Schoenig et al.	D6/400
577,910	3/1897	Bierbach	211/22
3,675,784	7/1972	John	211/22
4,047,684	9/1977	Kobayashi	248/122.1
4,215,839	8/1980	Gilbran	248/170
4,988,064	1/1991	Hoshino	248/170
5,165,635	11/1992	Hoshino	248/169
5,320,227	6/1994	Minoura	211/22
5,509,629	4/1996	Sassmannhausen et al.	248/171

FOREIGN PATENT DOCUMENTS

1247112 10/1960 France .

Primary Examiner—Adir Aronovich

[57] **CLAIM**

The ornamental design for a tripod, as shown and described.

DESCRIPTION

FIG. 1 is a front perspective view of a tripod showing our new design;

FIG. 2 is a front elevational view of the tripod;

FIG. 3 is a rear elevational view of the tripod;

FIG. 4 is a right side elevational view of the tripod;

FIG. 5 is a left side elevational view of the tripod;

FIG. 6 is a top plan view thereof;

FIG. 7 is a bottom plan view of the tripod;

FIG. 8 is an enlarged front perspective view of an upper fitting on the fragmentary portion of the tripod shaft, the lower fitting and leg portions are omitted for ease of illustration;

FIG. 9 is an enlarged front perspective view of a knob, the remaining portions of the tripod are omitted for ease of illustration;

FIG. 10 is an enlarged rear perspective view of a knob, the remaining portions of the tripod are omitted for ease of illustration;

FIG. 11 is an enlarged side elevational view of a knob on the tripod shaft, the undisclosed elevational view from the opposite side is a mirror image thereof and the remaining portions of the tripod are omitted for ease of illustration;

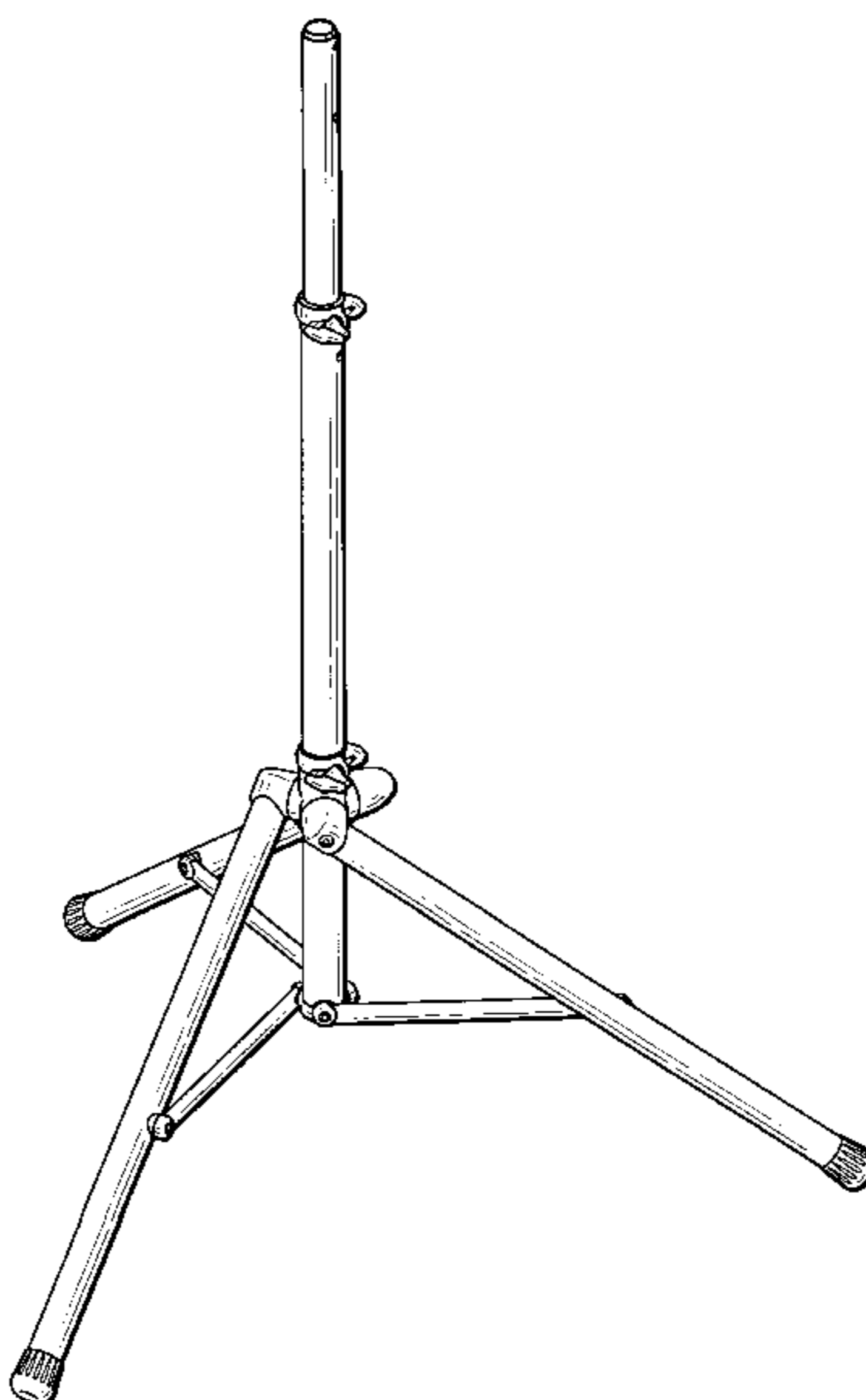
FIG. 12 is an enlarged top plan view of a knob on the tripod shaft, the undisclosed bottom plan view from the opposite side is a mirror image thereof and the remaining portions of the tripod are omitted for ease of illustration;

FIG. 13 is an enlarged front elevational view of a knob on the tripod shaft, the remaining portions of the tripod are omitted for ease of illustration;

FIG. 14 is an enlarged rear elevational view of a knob on the tripod shaft, the remaining portions of the tripod are omitted for ease of illustration; and,

FIG. 15 is an enlarged front perspective view of a lower fitting on the fragmentary tripod shaft portion and enlarged fragmentary legs; the upper fitting is omitted for ease of illustration.

1 Claim, 12 Drawing Sheets



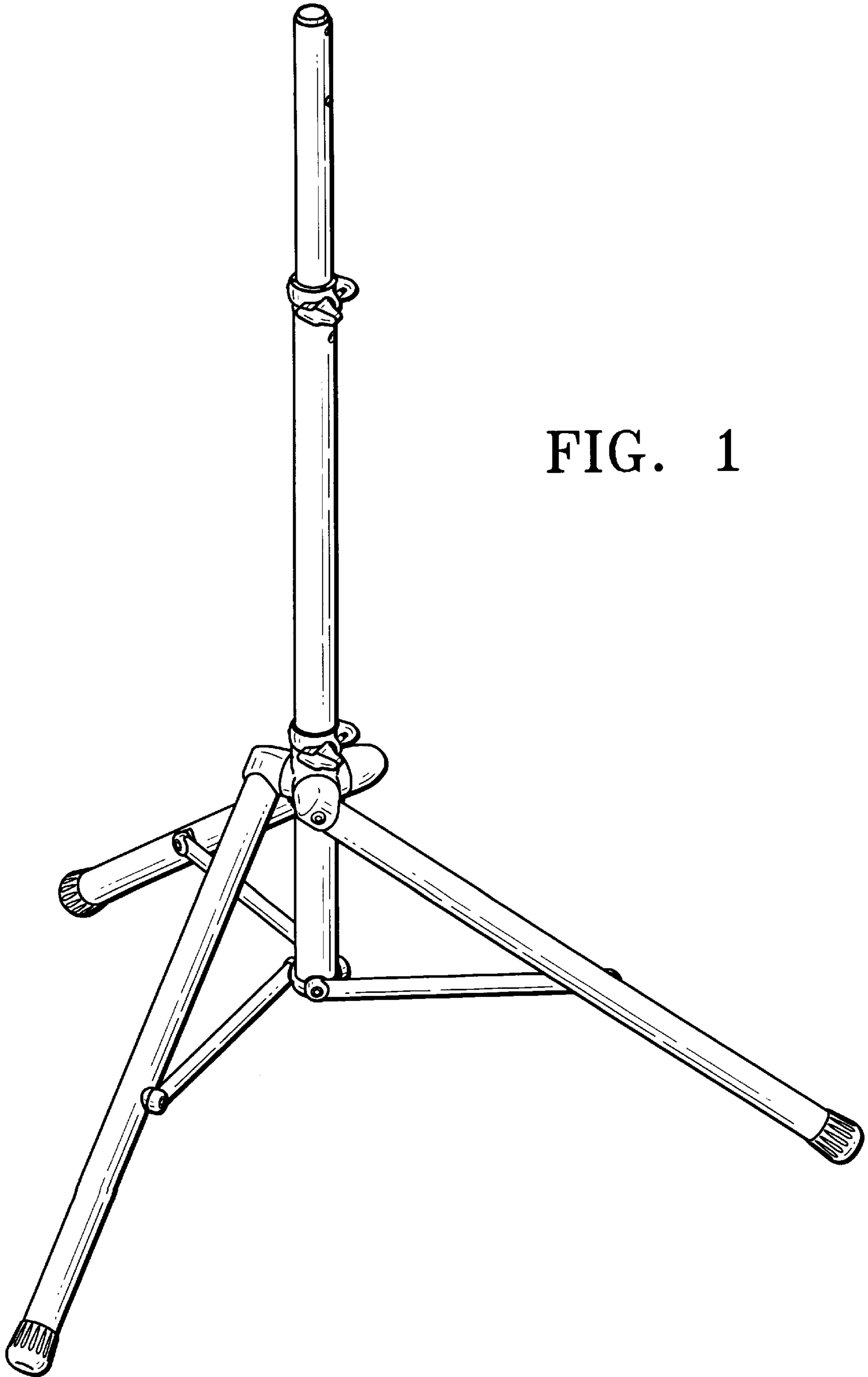


FIG. 1

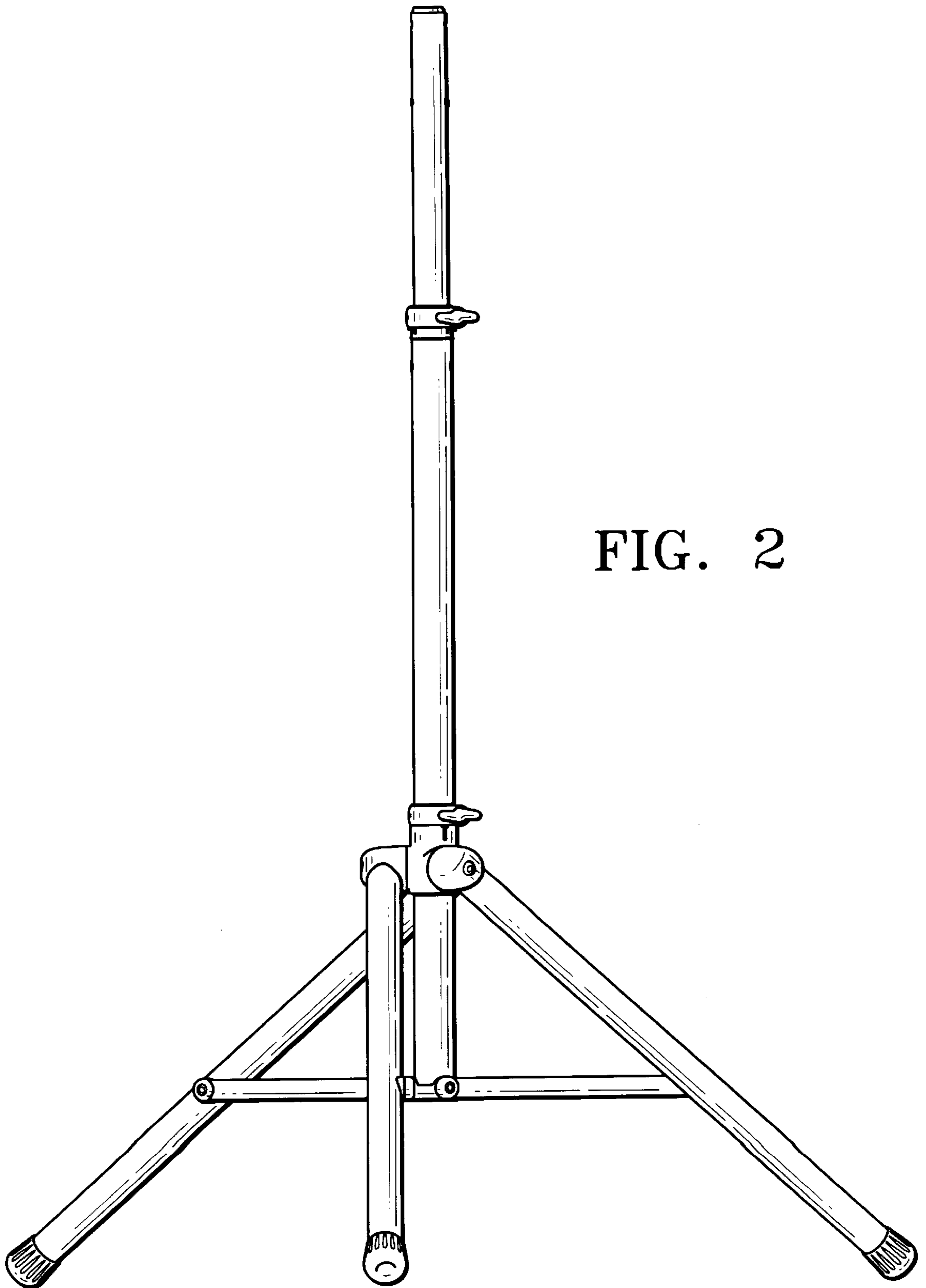


FIG. 2

FIG. 3

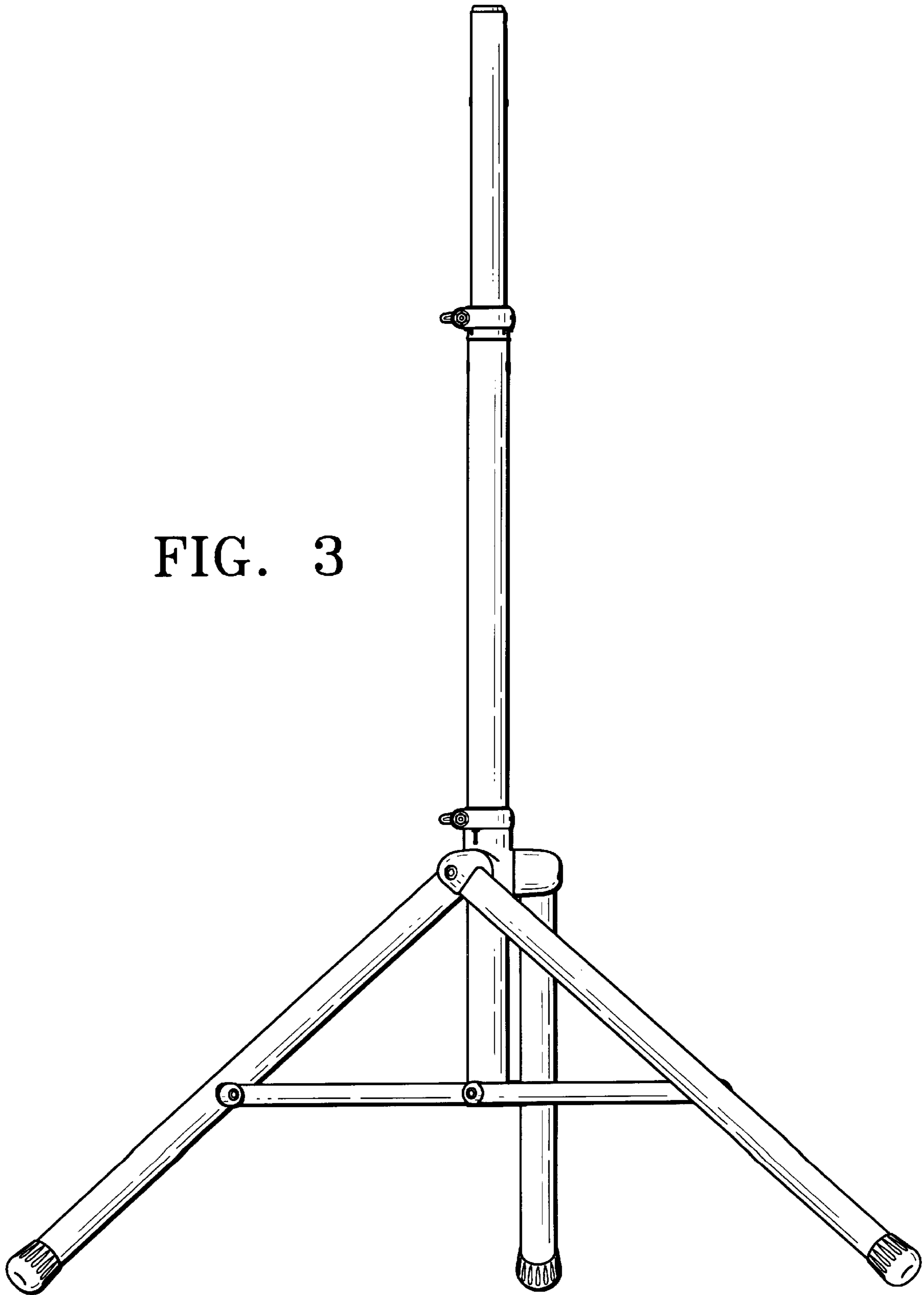
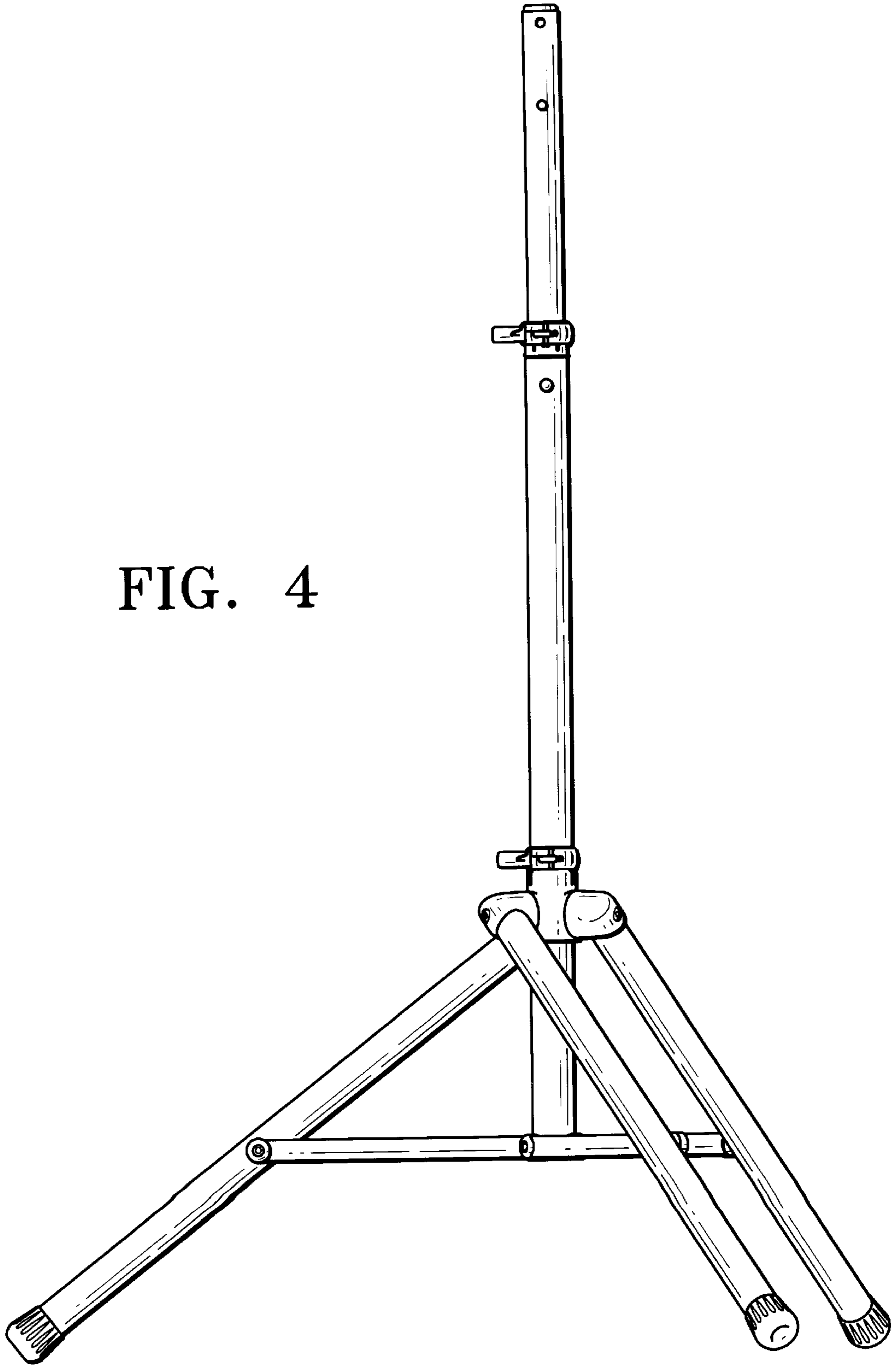


FIG. 4



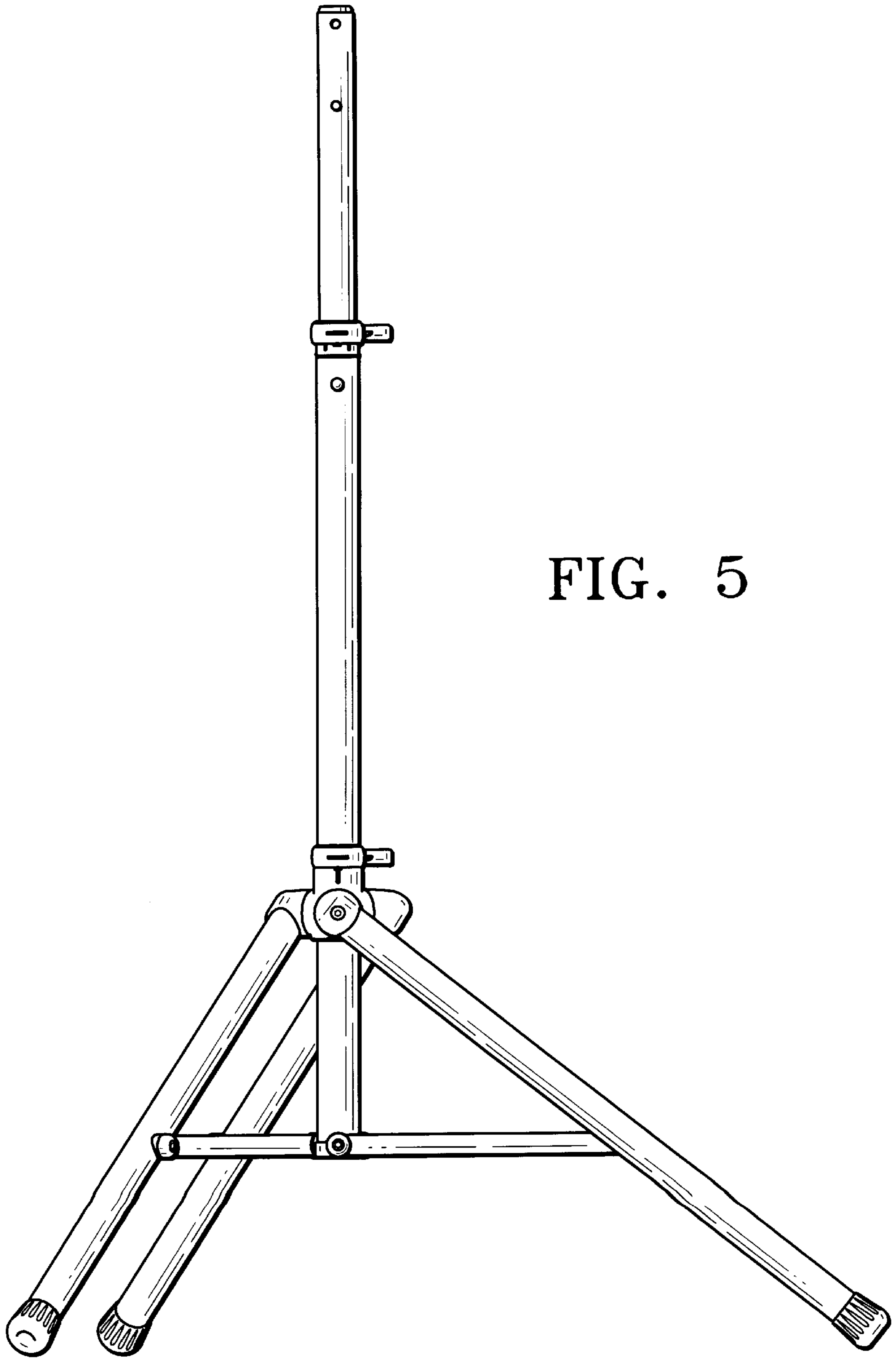


FIG. 5

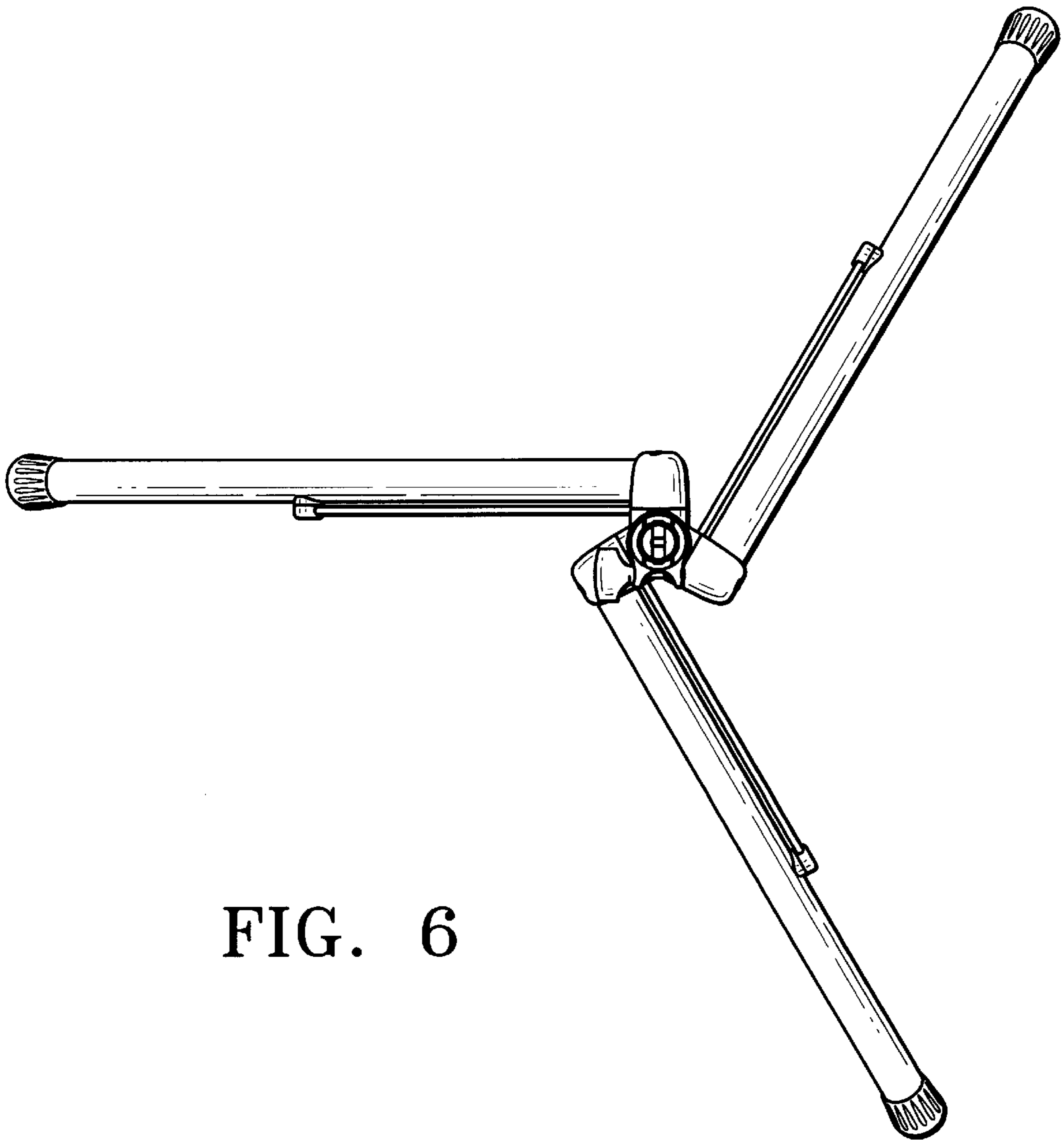


FIG. 6

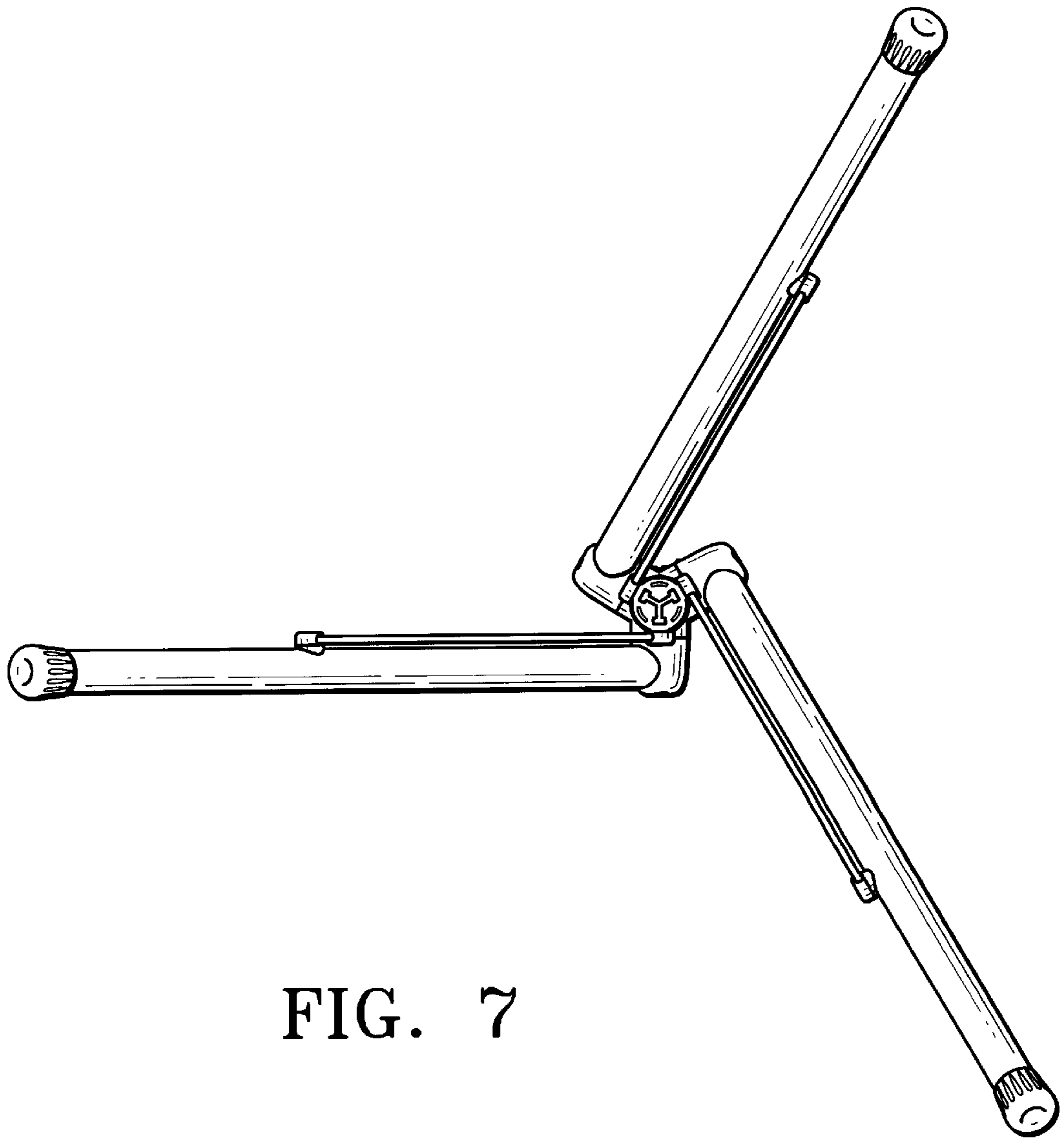


FIG. 7

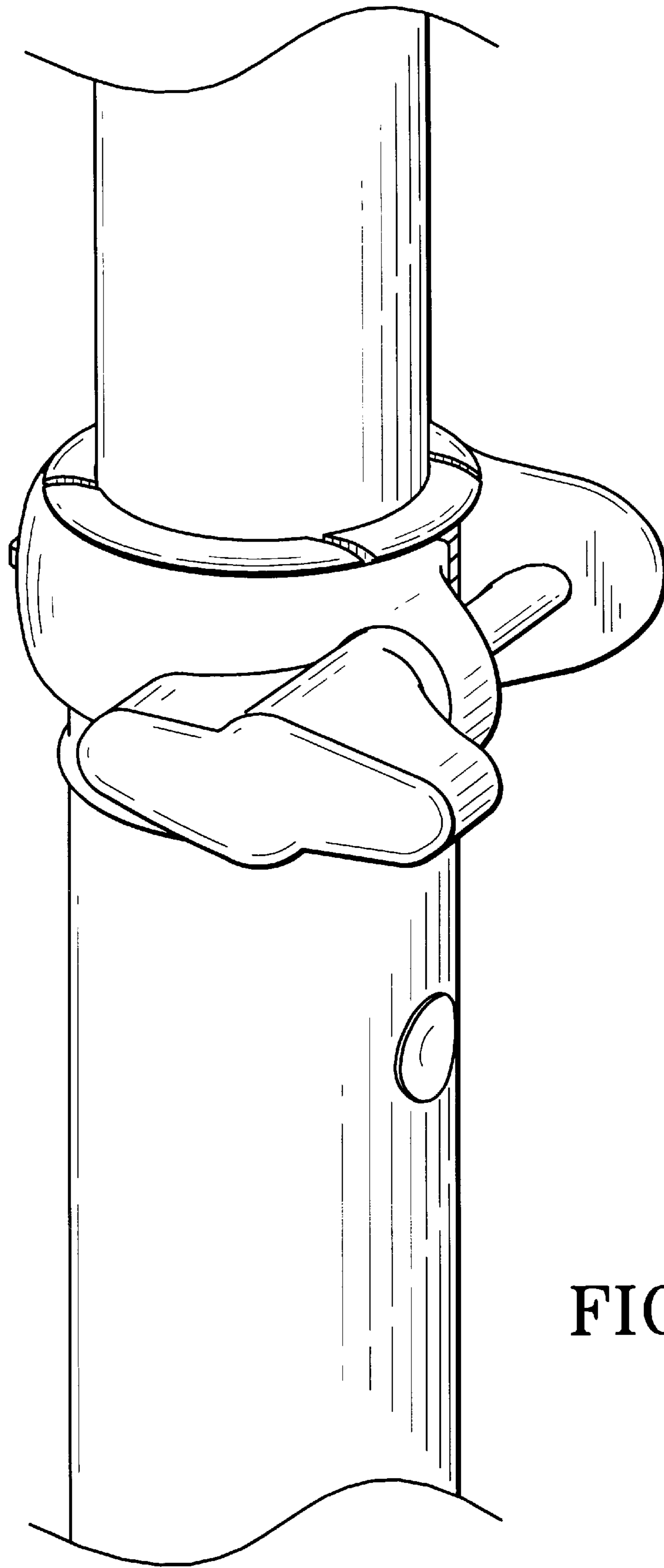


FIG. 8

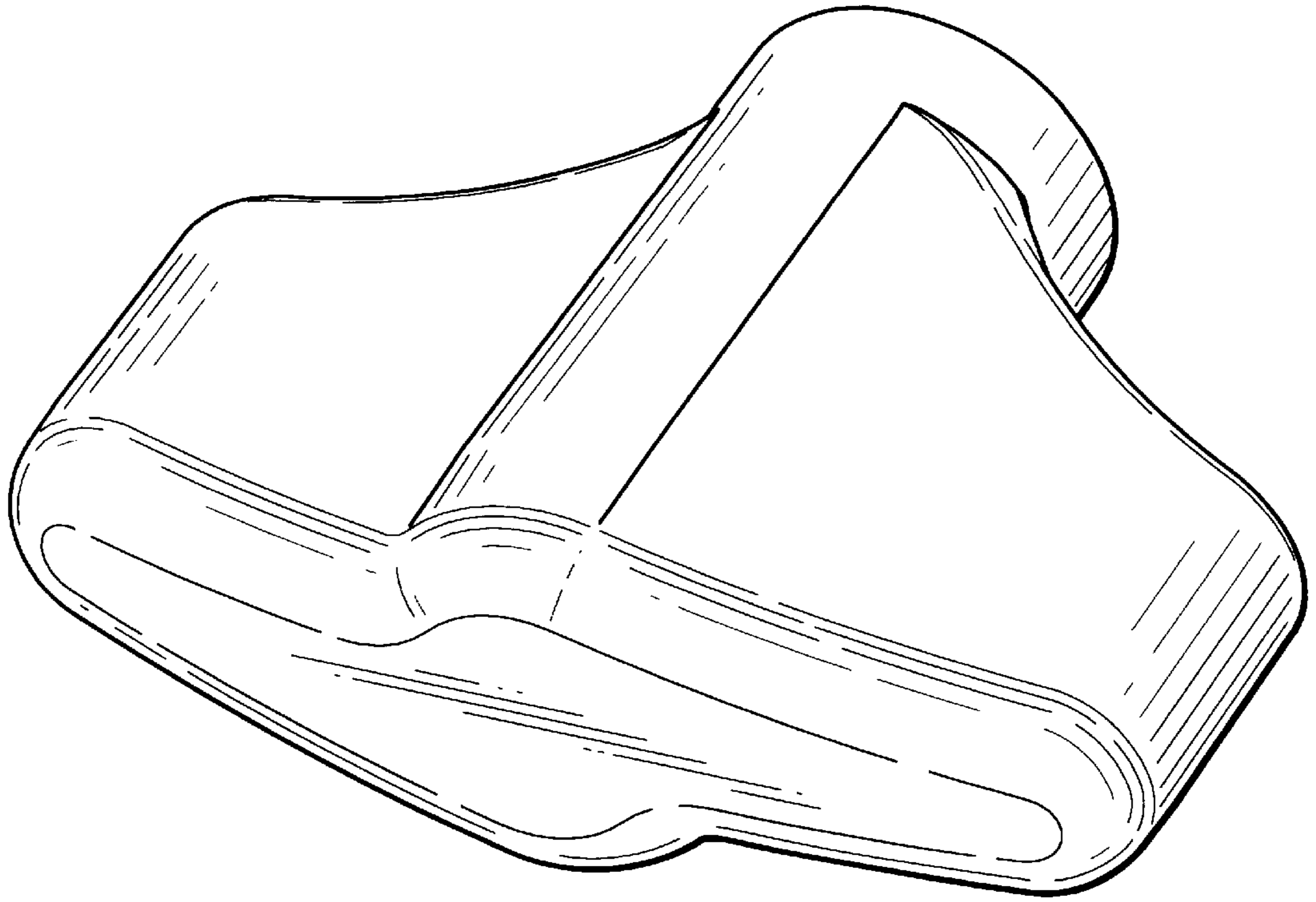


FIG. 9

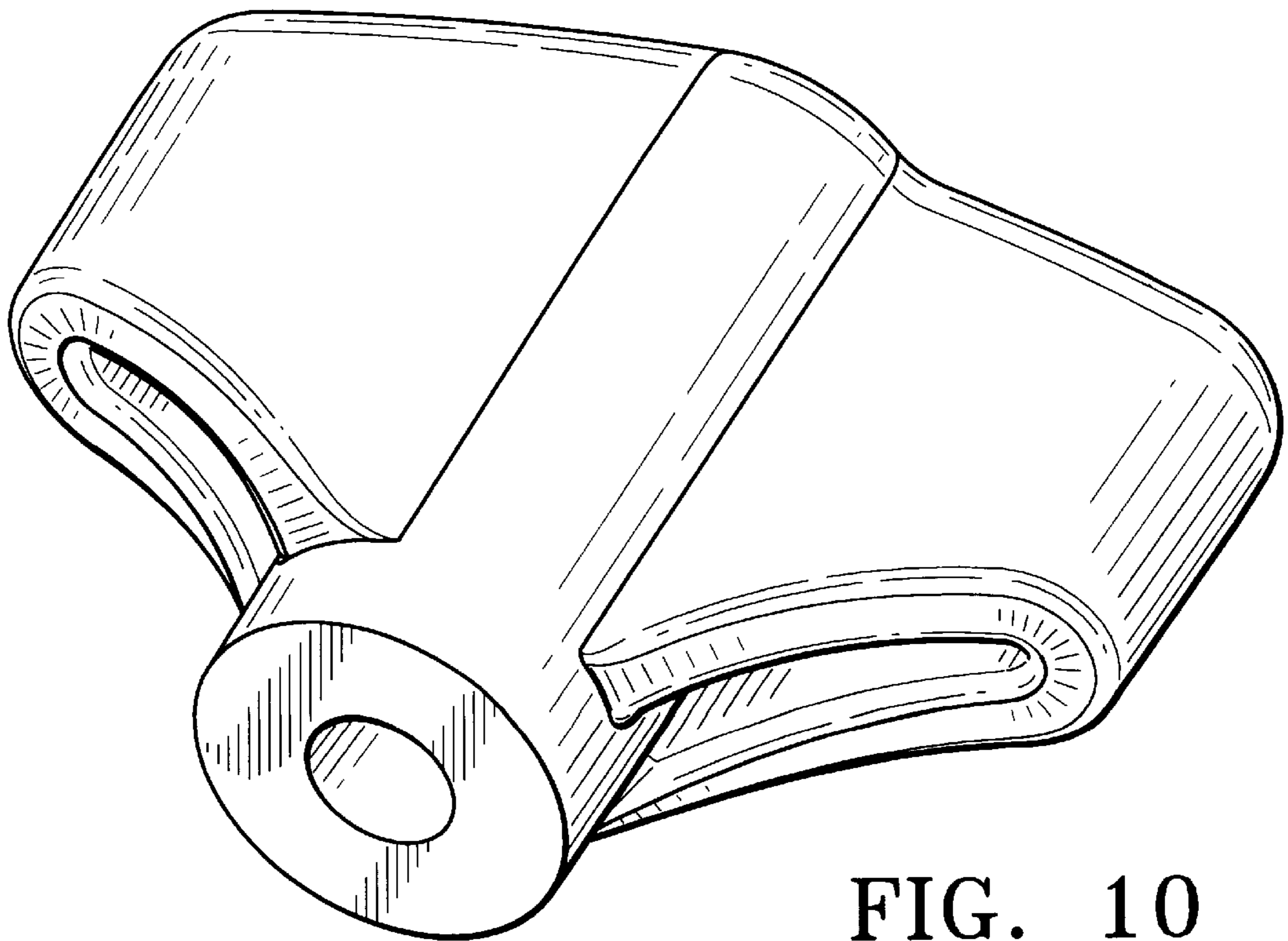


FIG. 10

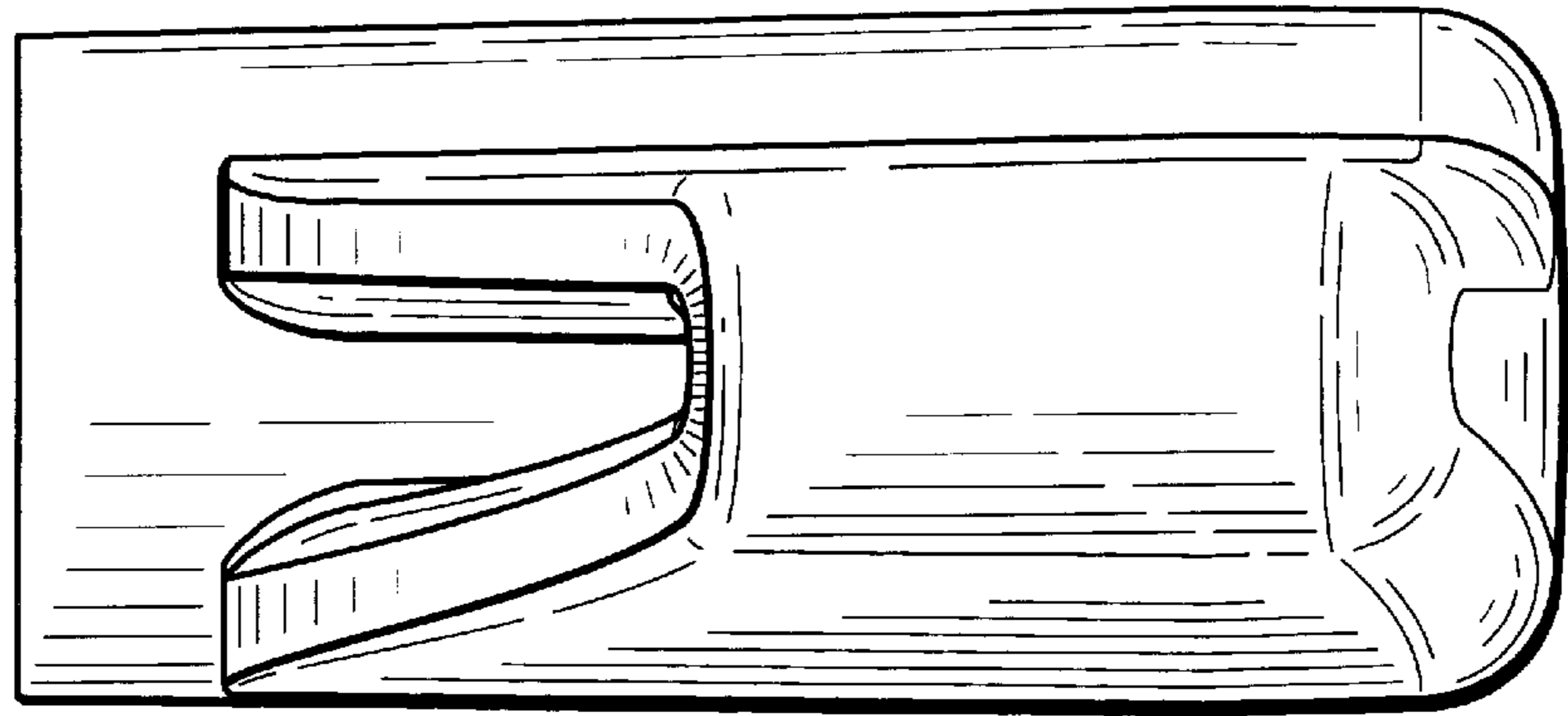


FIG. 11

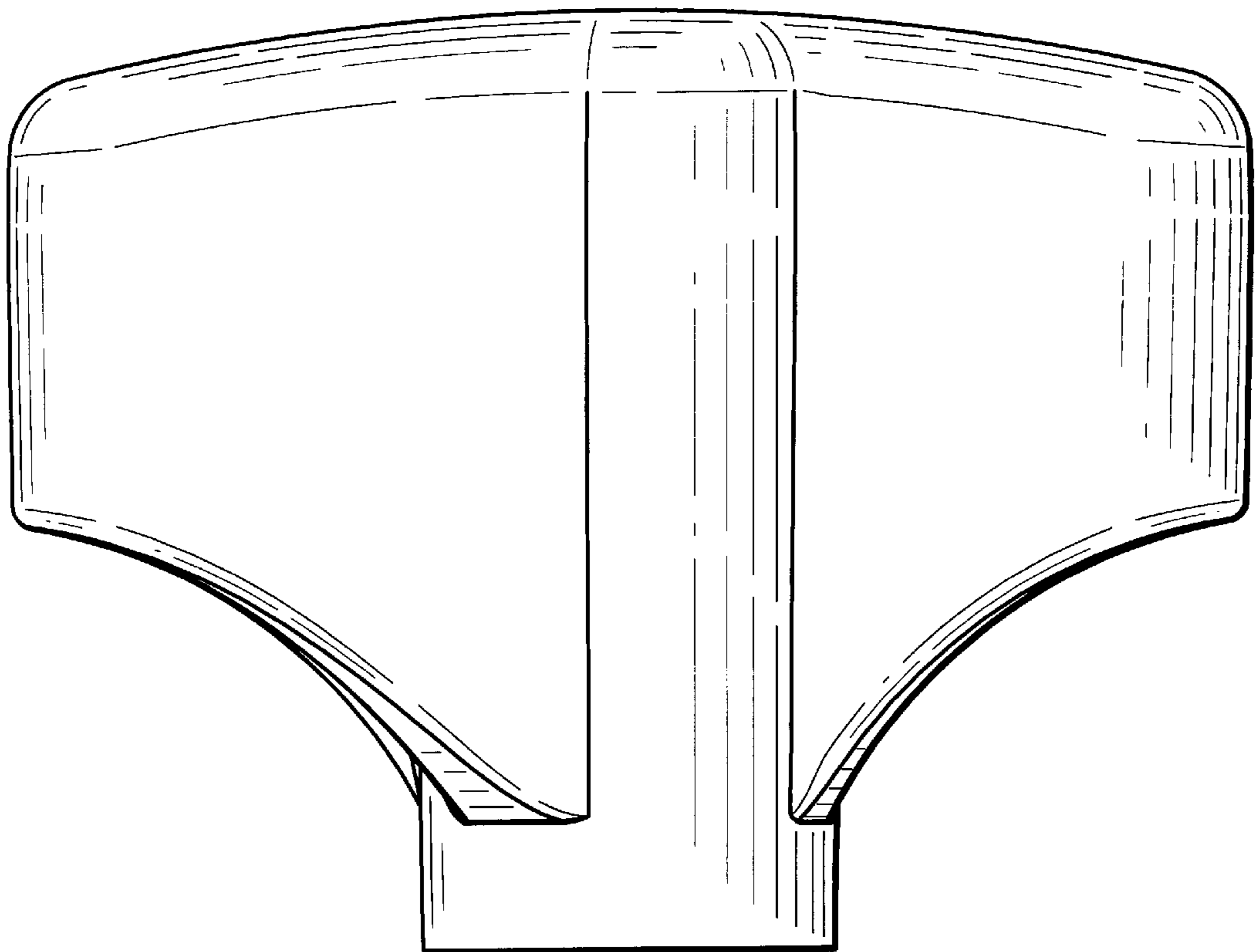


FIG. 12

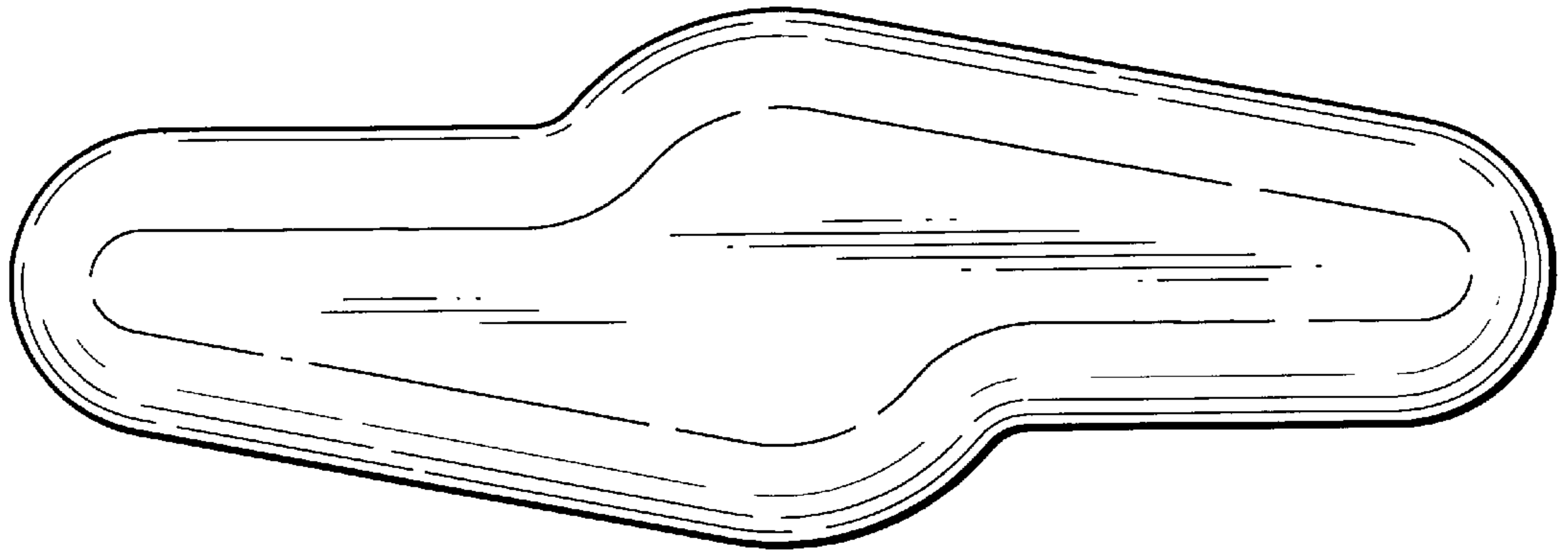


FIG. 13

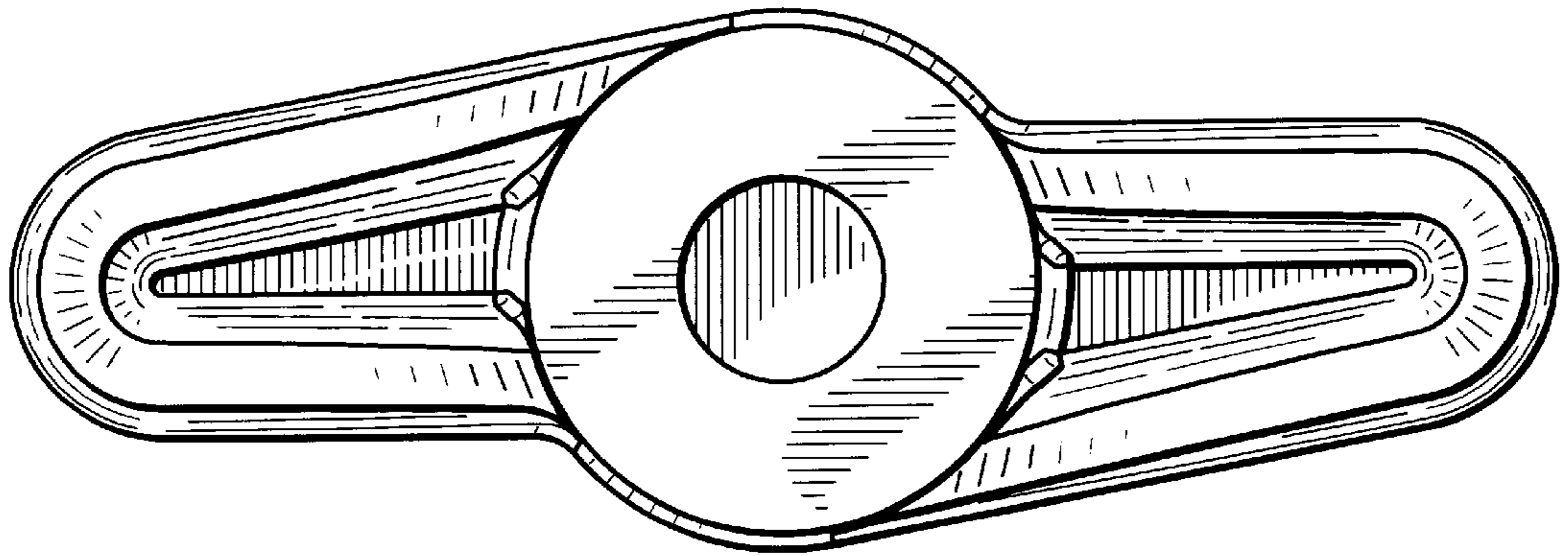


FIG. 14

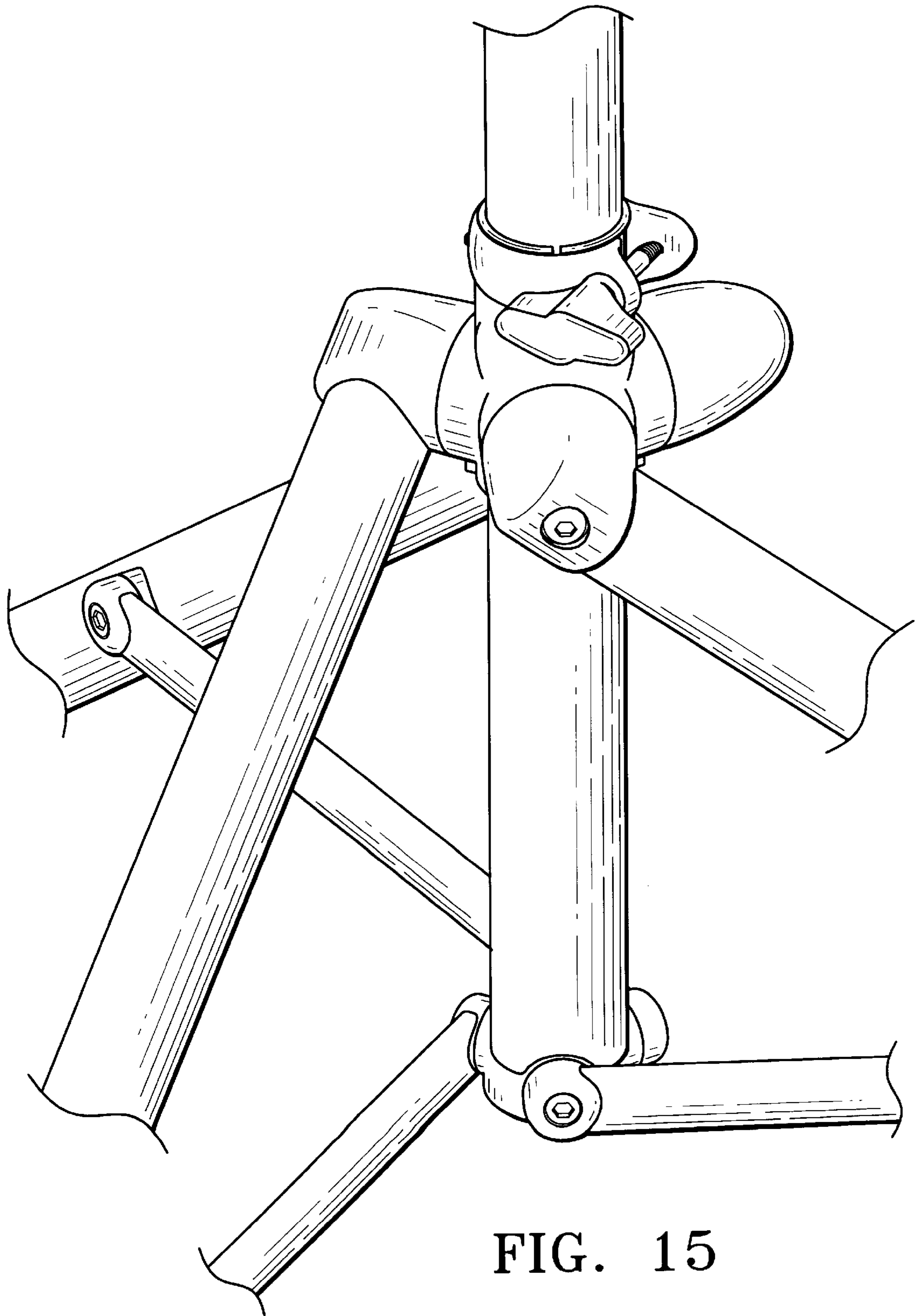


FIG. 15