



US00D421446S

**United States Patent** [19]  
**Tringali**

[11] **Patent Number: Des. 421,446**

[45] **Date of Patent: \*\* Mar. 7, 2000**

[54] **PHOTO BOOTH**

5,778,258 7/1998 Zamoyski ..... 396/5  
5,828,908 10/1998 Mauchan ..... 396/2

[76] Inventor: **Anthony J. Tringali**, 904 Fairway Dr.,  
Bensenville, Ill. 60106

*Primary Examiner*—Adir Aronovich

[\*\*] Term: **14 Years**

[57] **CLAIM**

[21] Appl. No.: **29/099,993**

The ornamental design for a photo booth, as shown and described.

[22] Filed: **Feb. 2, 1999**

**DESCRIPTION**

[51] **LOC (6) Cl.** ..... **16-01**

FIG. 1 is a perspective view of a photo booth showing my new design.

[52] **U.S. Cl.** ..... **D16/215; 396/5**

FIG. 2 is a front elevation view thereof;

[58] **Field of Search** ..... **D16/215; D25/15,**

FIG. 3 is a rear elevation view thereof;

**D25/16; 396/2, 5**

FIG. 4 is a right side view thereof, the left side view being identical.

[56] **References Cited**

FIG. 5 is a top view thereof; and,

FIG. 6 is a bottom view thereof.

**U.S. PATENT DOCUMENTS**

- D. 342,542 12/1993 Massarsky ..... D16/215
- D. 388,451 12/1997 Massarsky ..... D16/215

**1 Claim, 5 Drawing Sheets**

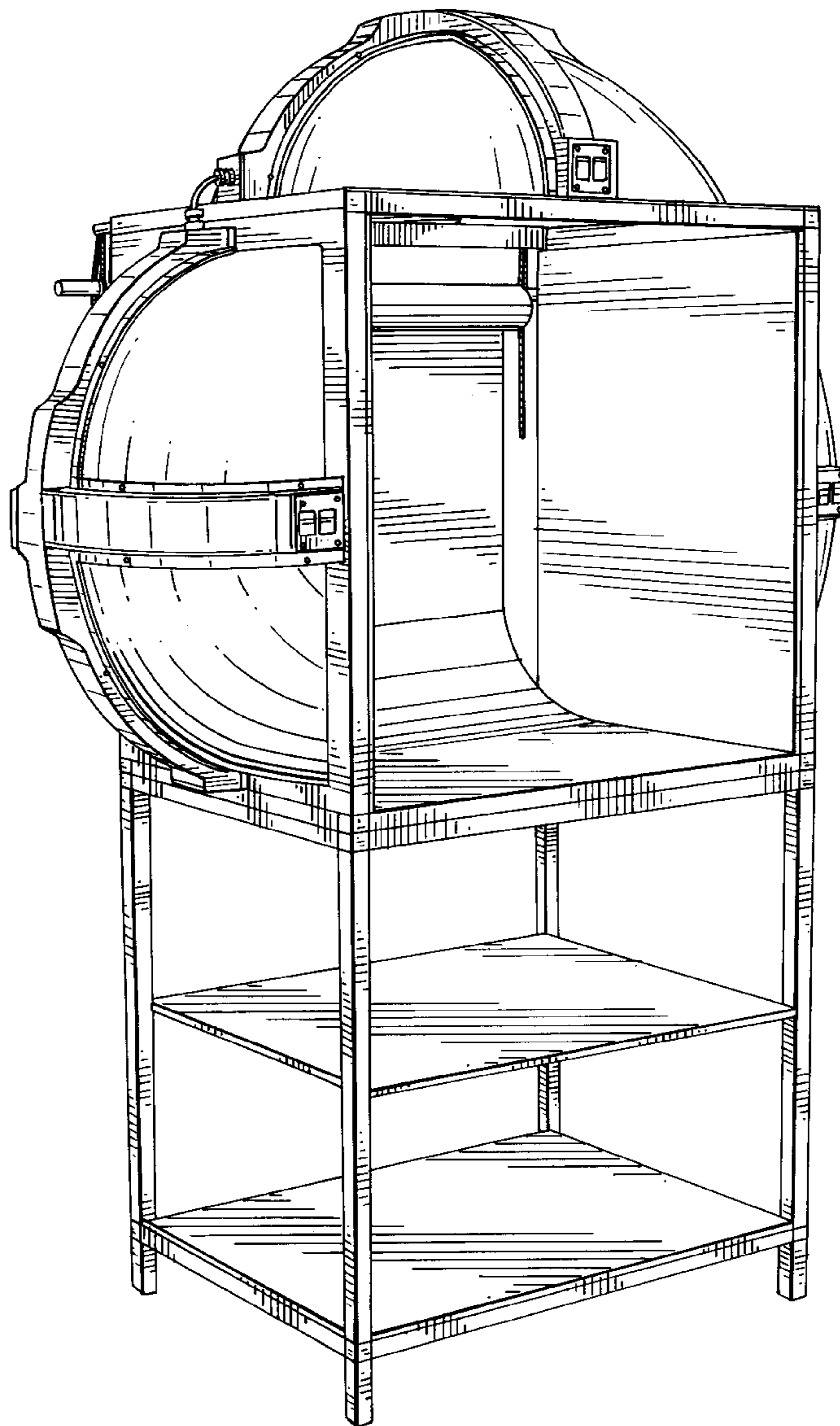


FIG. 1

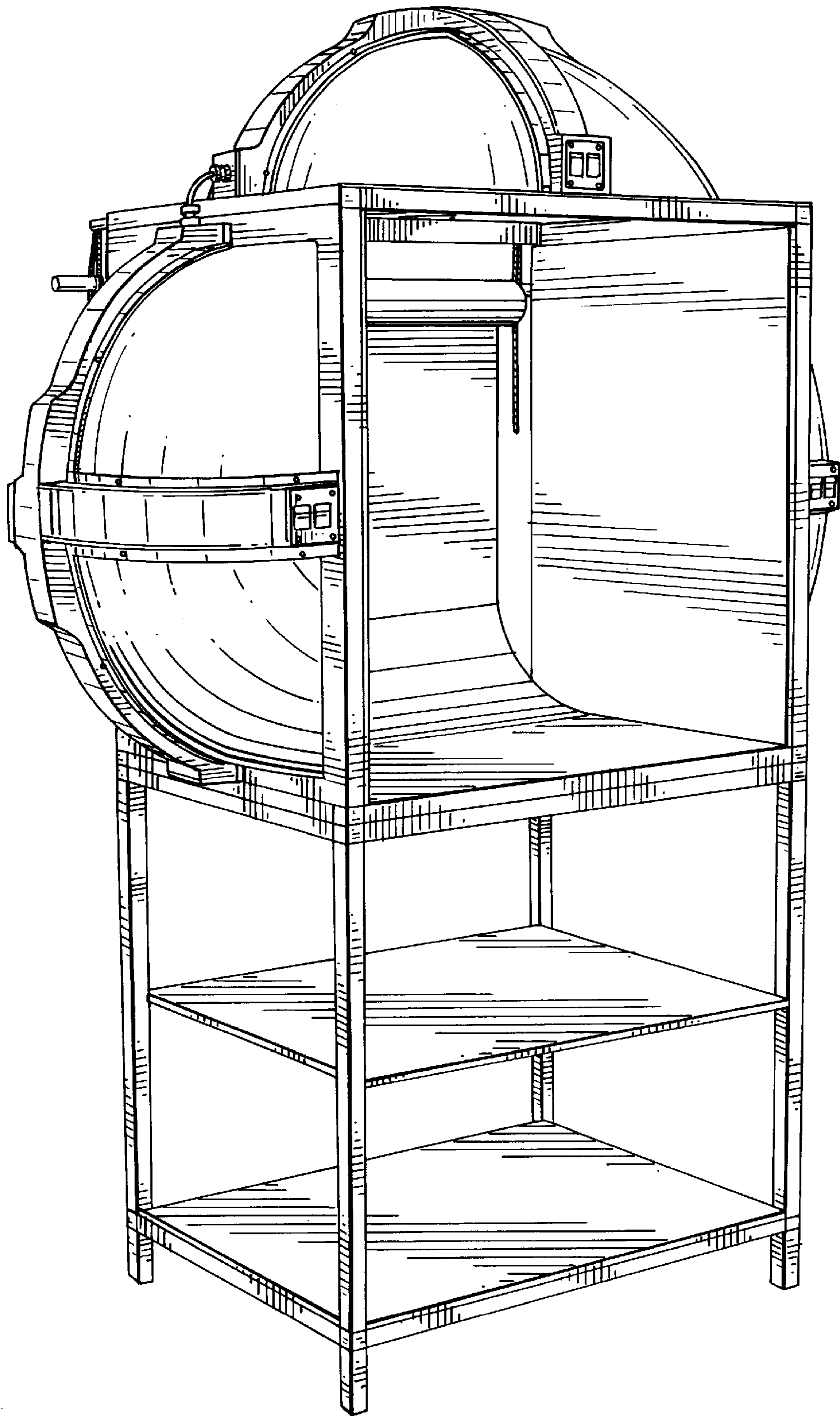


FIG. 2

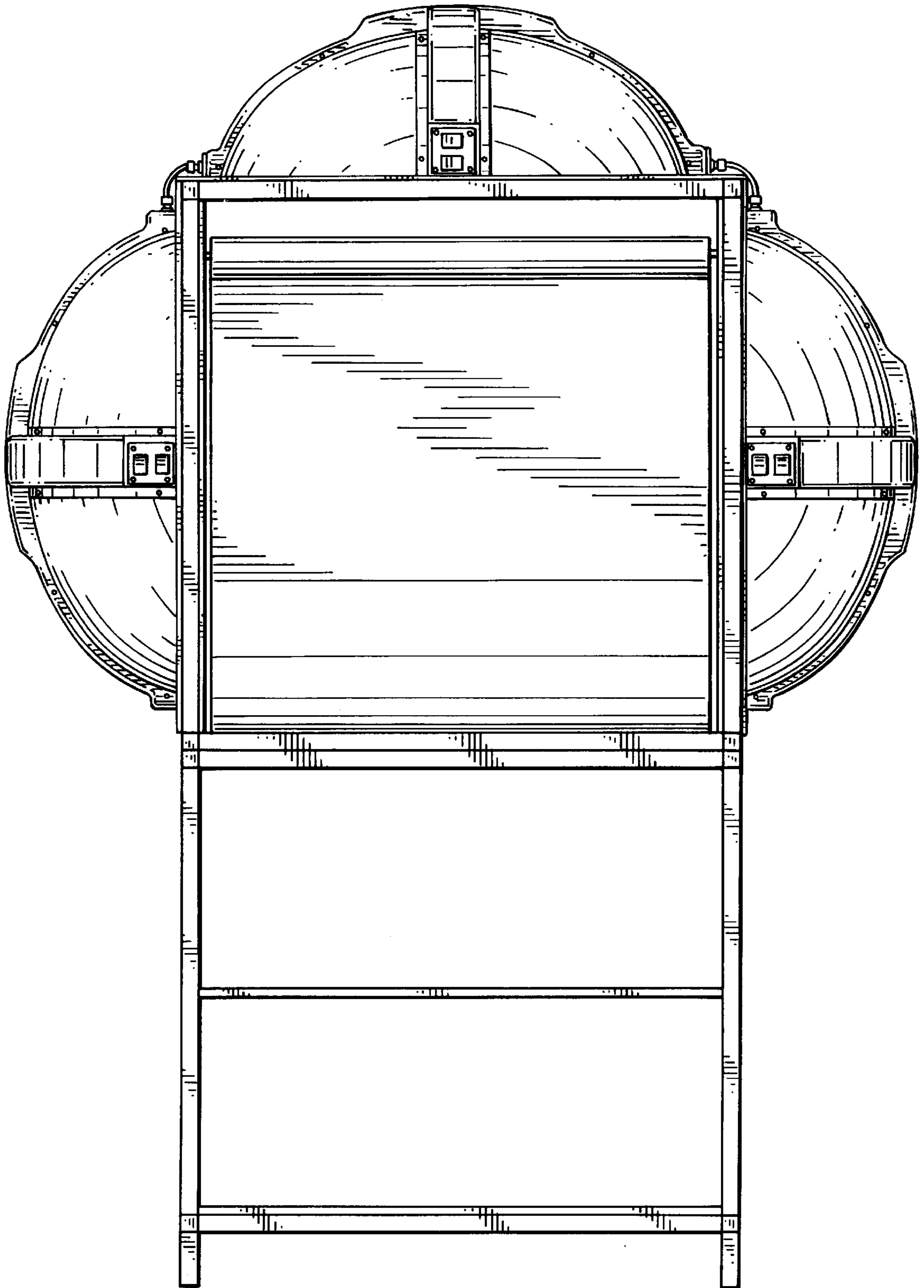


FIG. 3

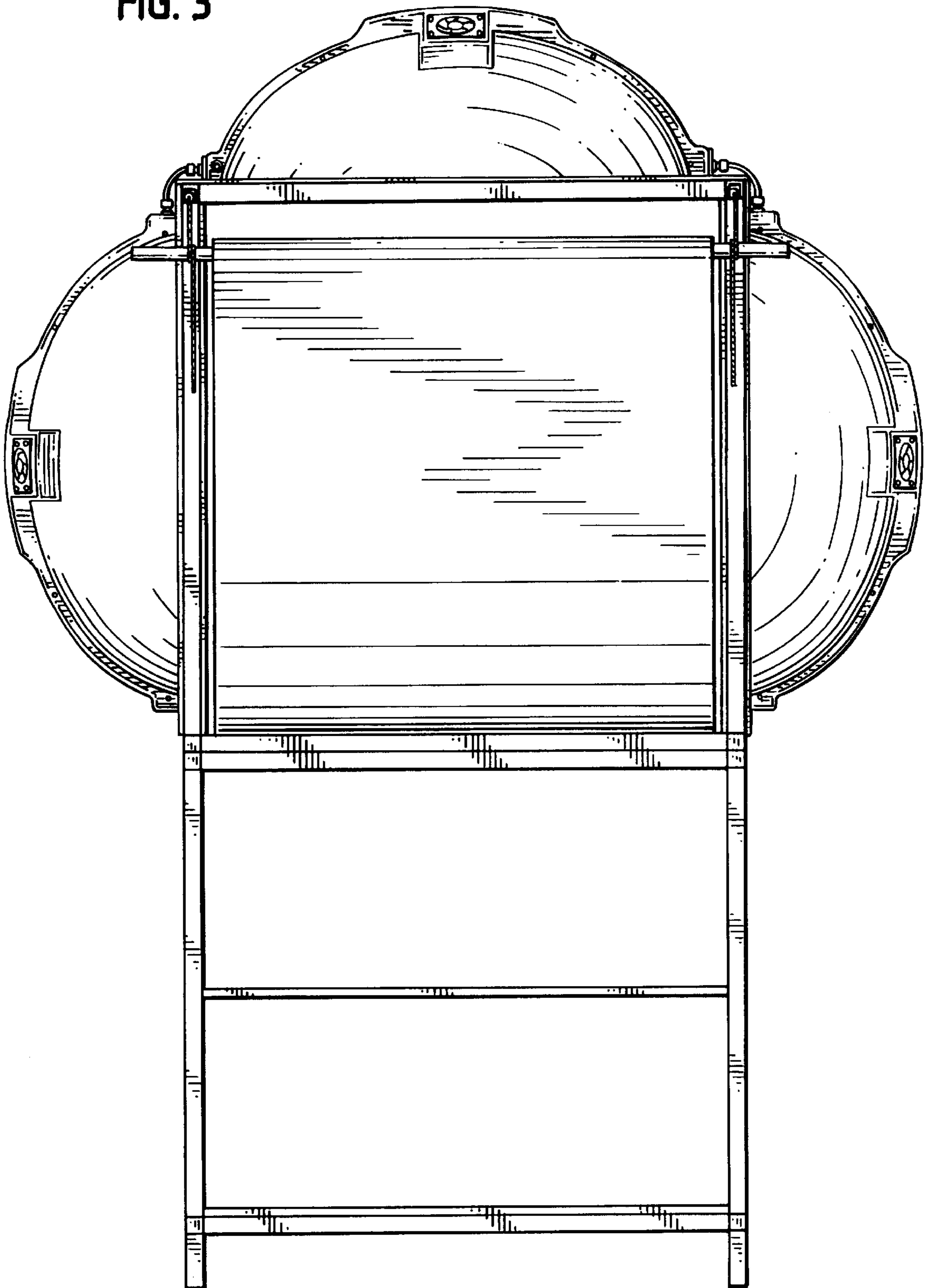


FIG. 4

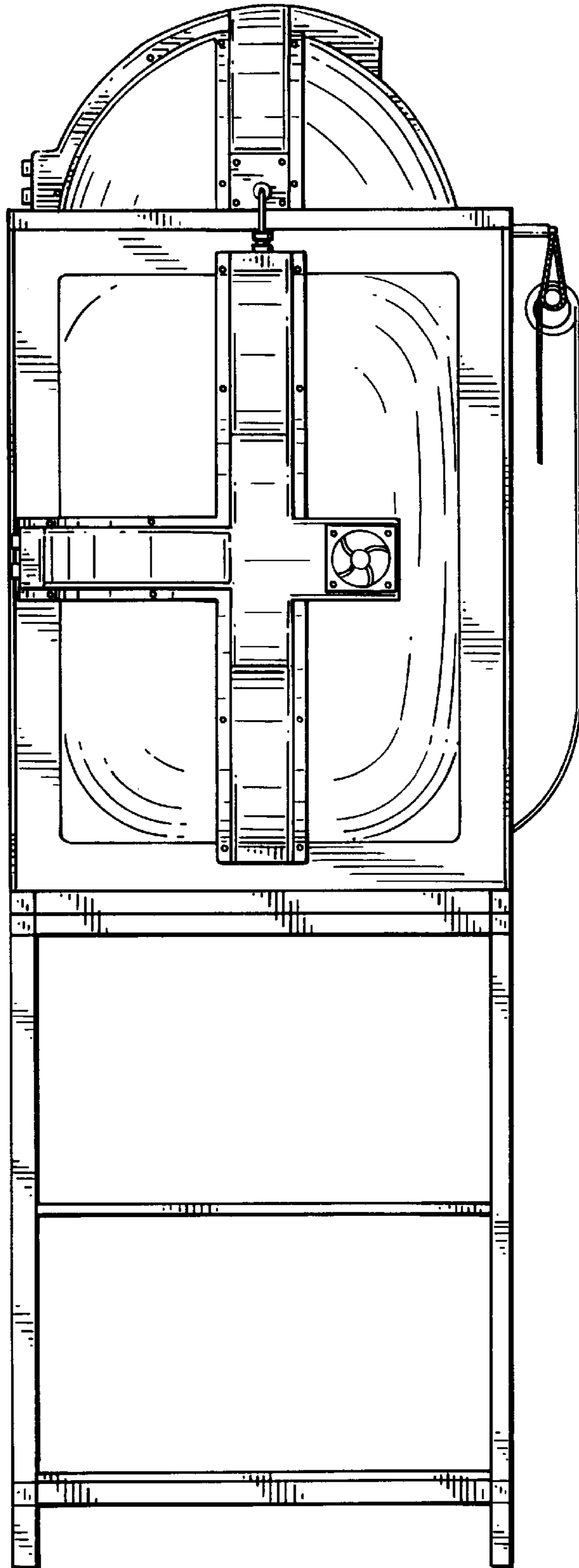


FIG. 5

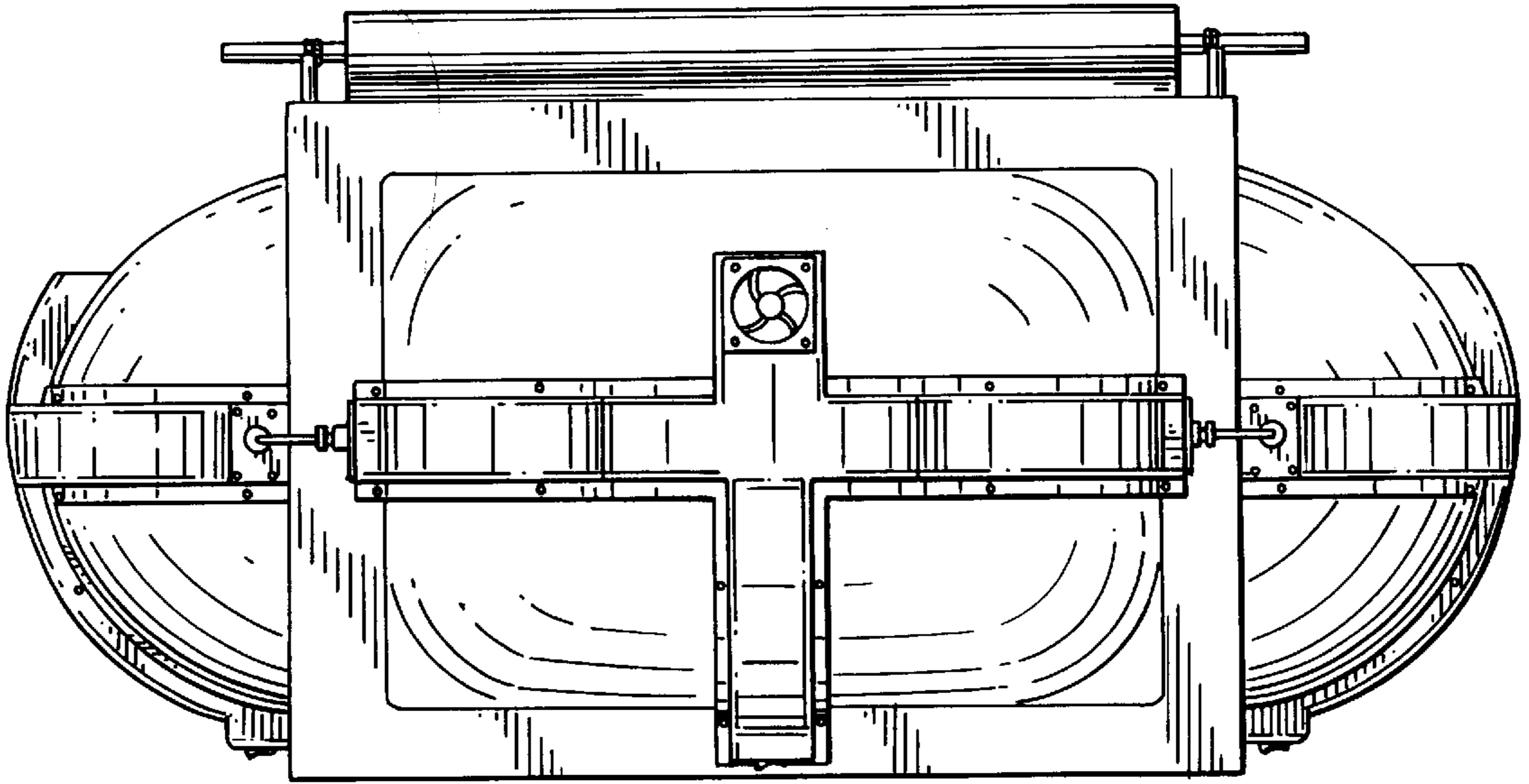


FIG. 6

