



US00D421443S

United States Patent [19]

Nagele et al.

[11] Patent Number: **Des. 421,443**

[45] Date of Patent: **** Mar. 7, 2000**

[54] **HOLDER FOR A COMMUNICATION DEVICE**

[75] Inventors: **Albert L. Nagele**, Wilmette; **Scott Kouri**, Chicago; **Brian J. Hassemer**, Gurnee; **Patrick McCormick**, Chicago; **David J. Cottingham**, Wilmette, all of Ill.

[73] Assignee: **Motorola, Inc.**, Schaumburg, Ill.

[**] Term: **14 Years**

[21] Appl. No.: **29/088,061**

[22] Filed: **May 14, 1998**

[51] **LOC (6) Cl.** **14-03**

[52] **U.S. Cl.** **D14/253**

[58] **Field of Search** D14/137, 138, D14/148, 147, 149-151, 140-142, 240, 241, 251, 253; 379/433-436, 419, 420, 428, 440, 454, 455, 446, 447; D13/107, 108; 320/110, 113, 114, 115

[56] **References Cited**

U.S. PATENT DOCUMENTS

- D. 215,303 9/1969 Carpenter D13/108
- D. 361,763 8/1995 Nagele et al. .
- D. 368,479 4/1996 Larson .

- D. 369,797 5/1996 Hillier et al. .
- D. 374,014 9/1996 Nagele et al. D14/253
- D. 385,283 10/1997 Snyder et al. D14/253
- D. 385,888 11/1997 Beutler et al. .
- D. 399,821 10/1998 Tyneski et al. D13/107 X
- D. 400,165 10/1998 Nagele et al. D13/108
- D. 408,418 4/1999 Pescetto et al. D14/253
- 5,113,436 5/1992 Jarvela 379/455
- 5,189,358 2/1993 Tomura et al. 320/115
- 5,568,548 10/1996 Repplinger et al. 379/446

Primary Examiner—Jeffrey Asch
Attorney, Agent, or Firm—Rolland R. Hackbart

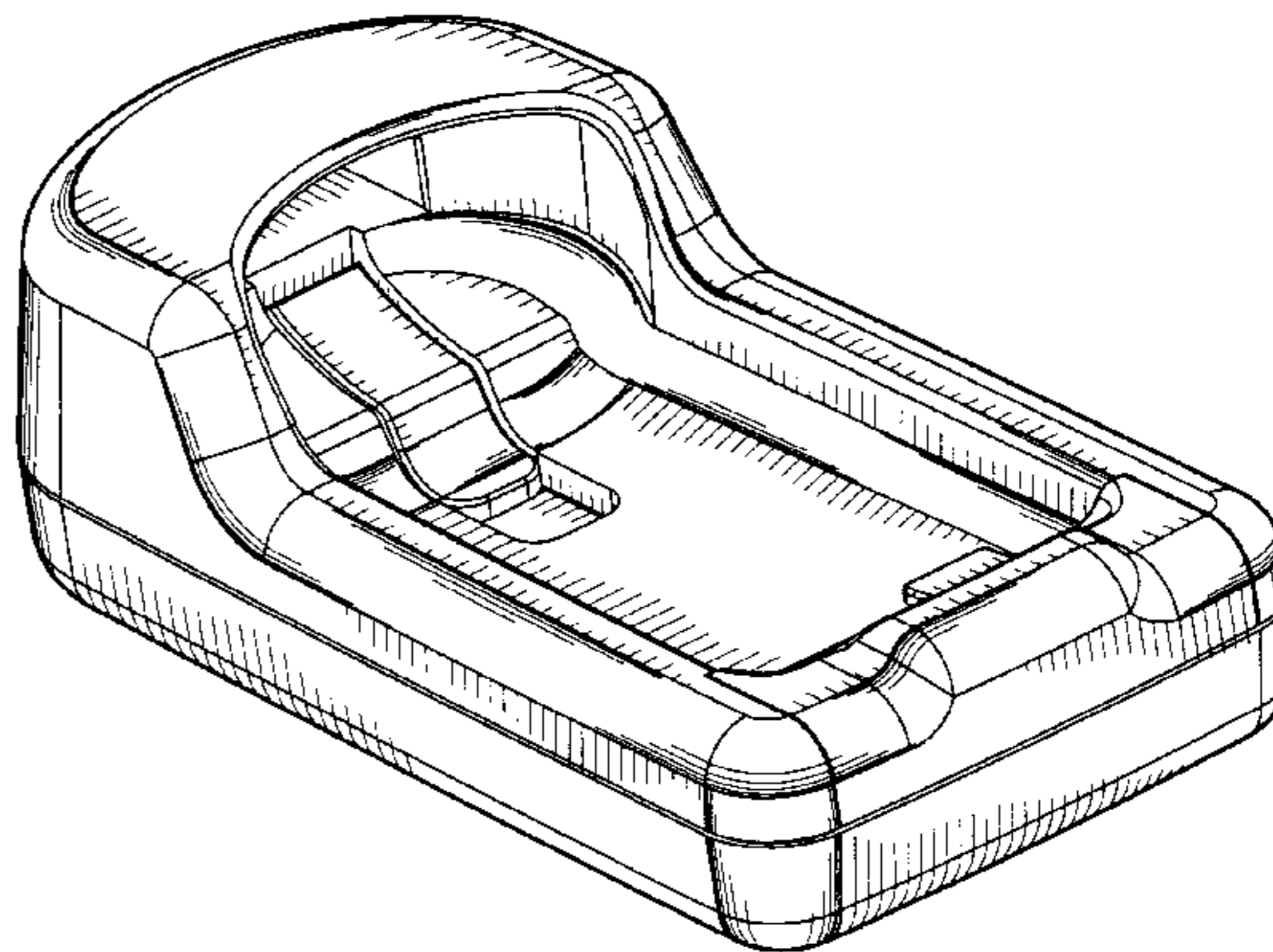
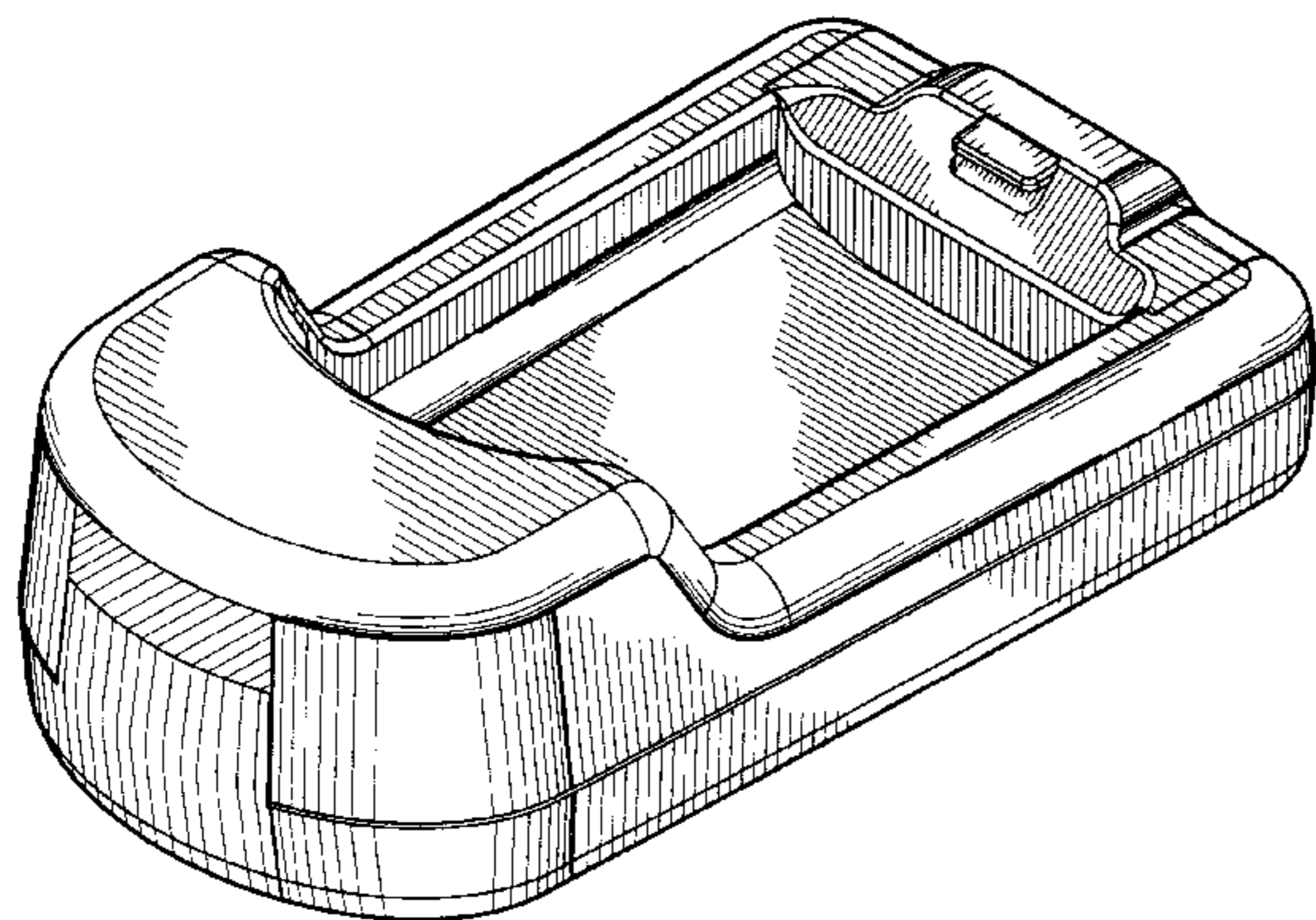
[57] **CLAIM**

The ornamental design for a holder for a communication device, as shown and described.

DESCRIPTION

FIG. 1 is a top, right, back perspective view of a holder for a communication device;
FIG. 2 is a left side plan view thereof;
FIG. 3 is a top plan view thereof;
FIG. 4 is a back plan view thereof;
FIG. 5 is a front plan view thereof;
FIG. 6 is a right side plan view thereof;
FIG. 7 is a bottom plan view thereof; and,
FIG. 8 is a top, right, and front perspective view thereof.

1 Claim, 4 Drawing Sheets



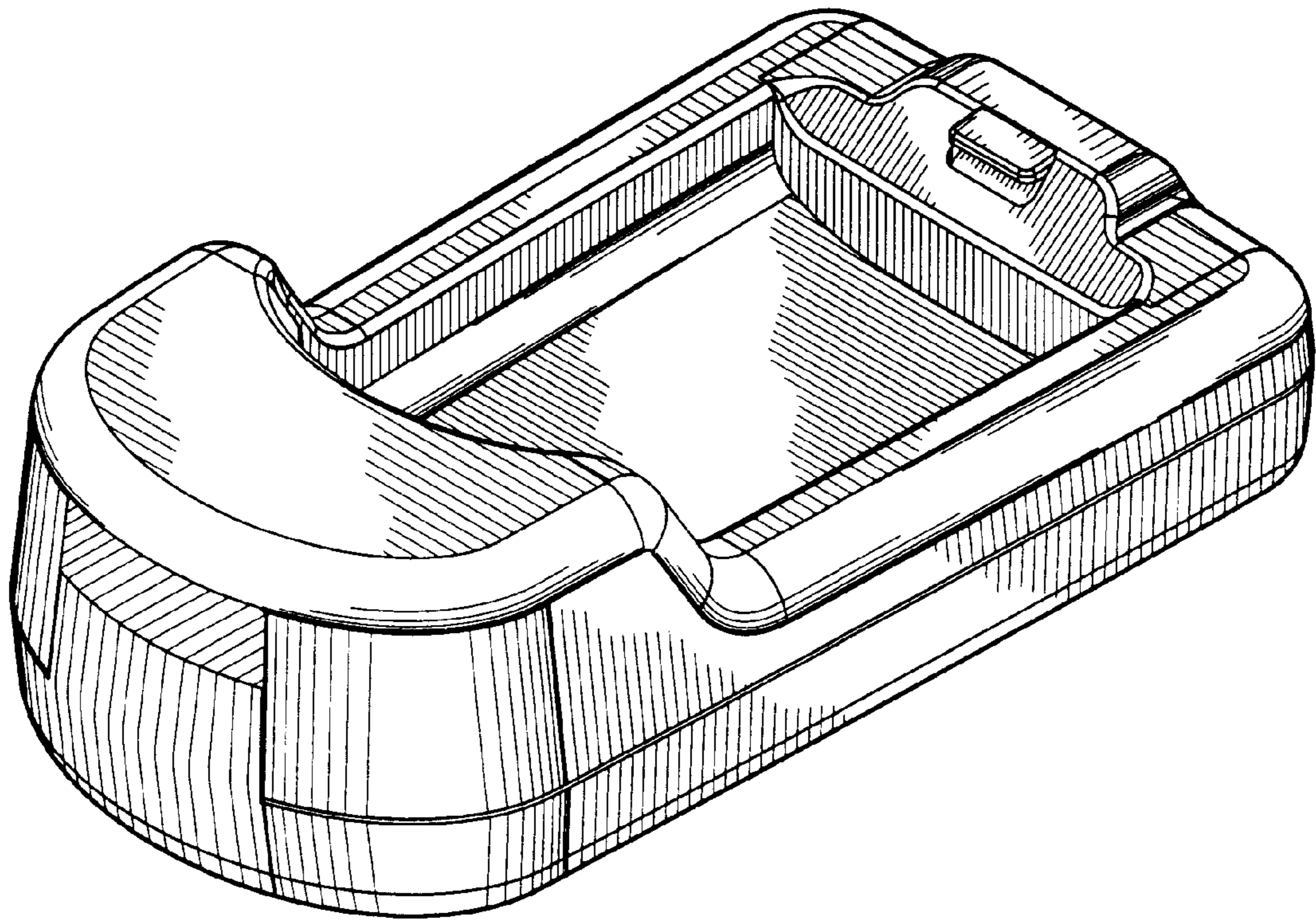


FIG. 1

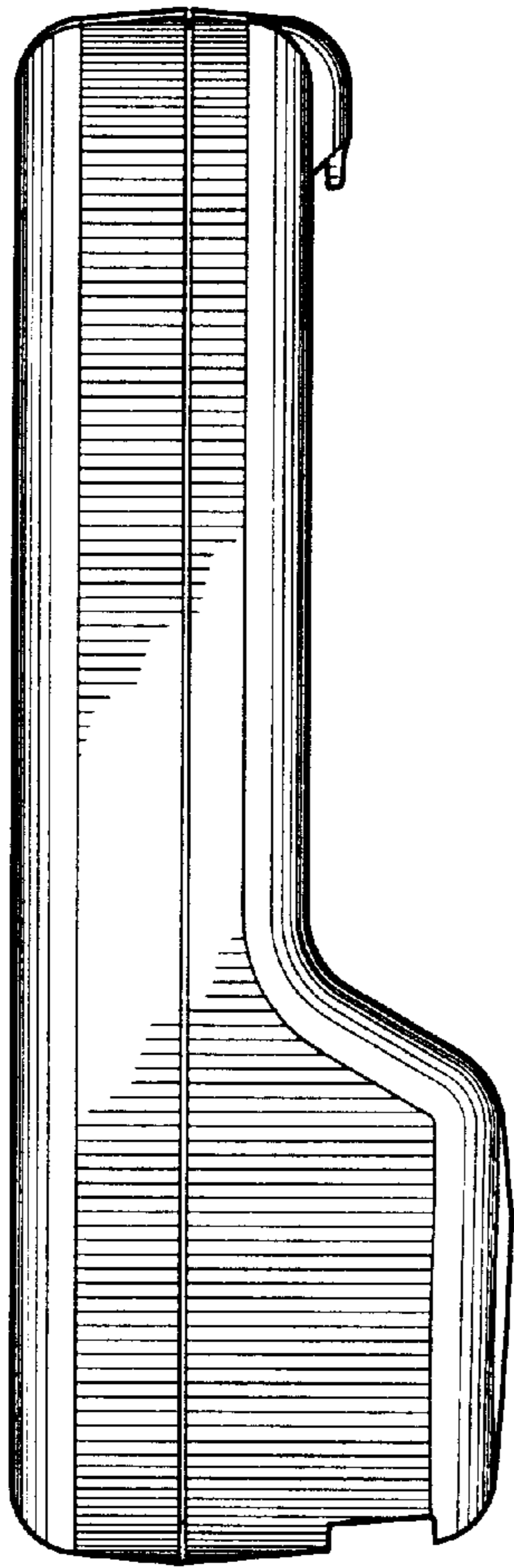


FIG. 2

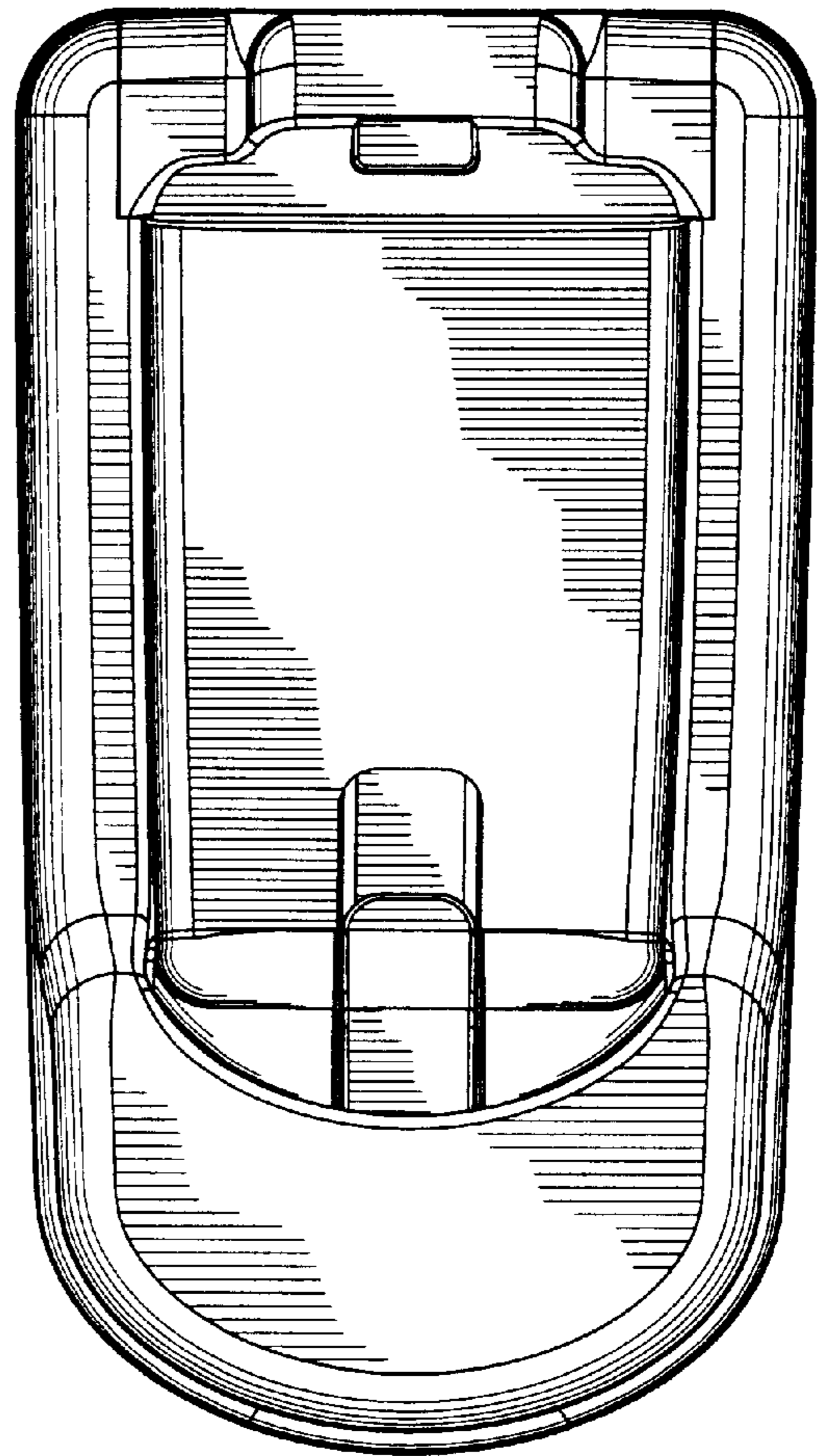


FIG. 3

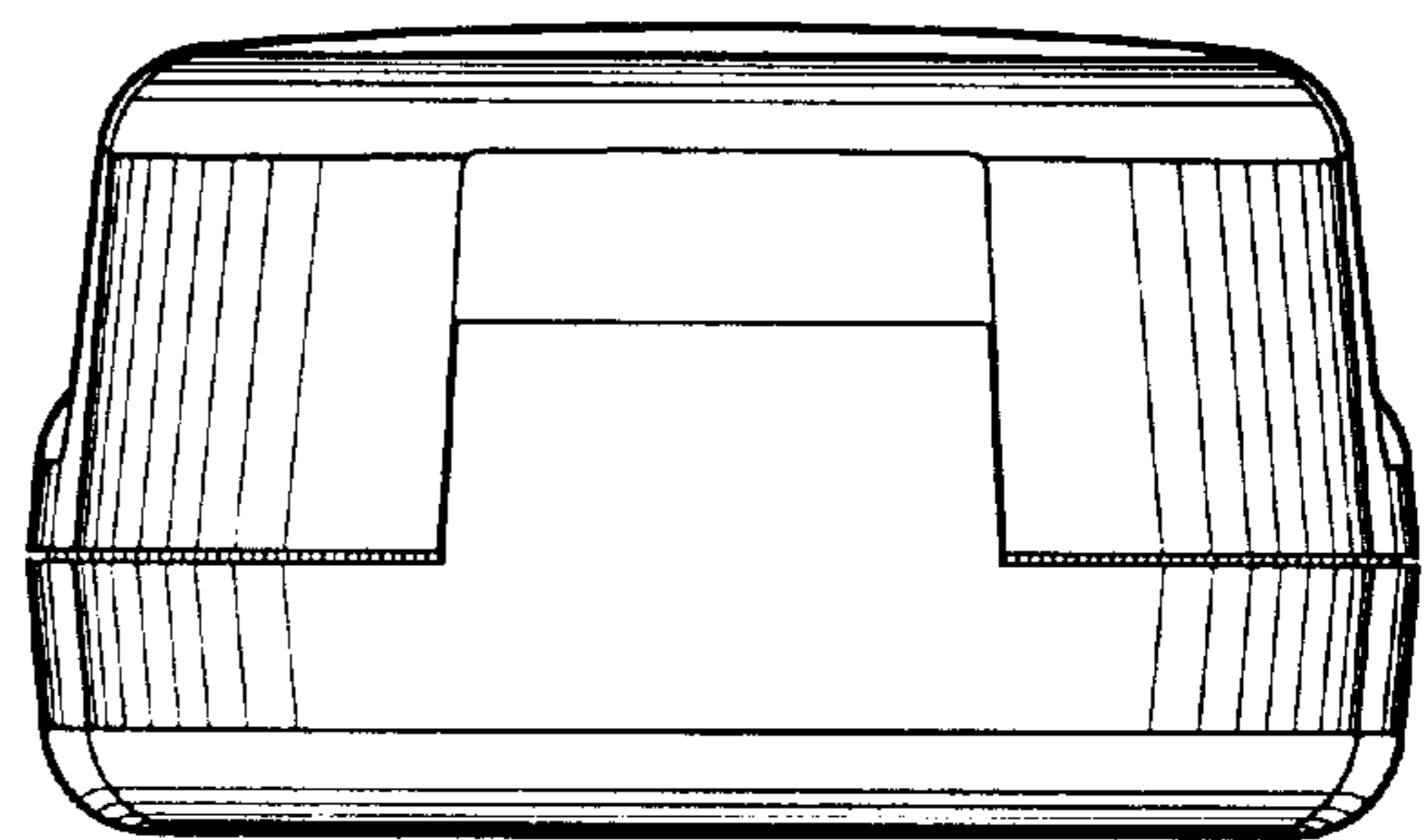


FIG. 4

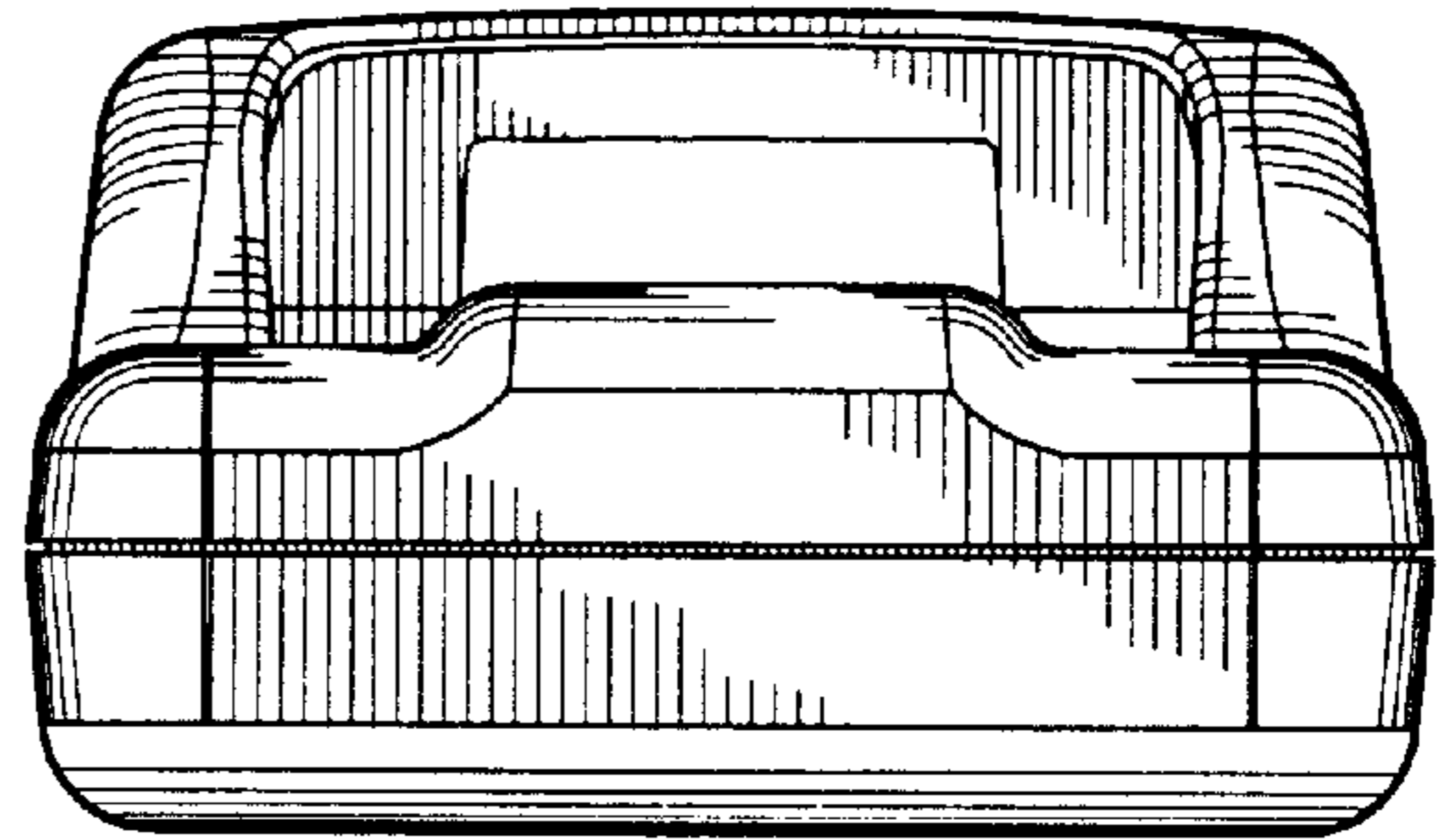


FIG. 5

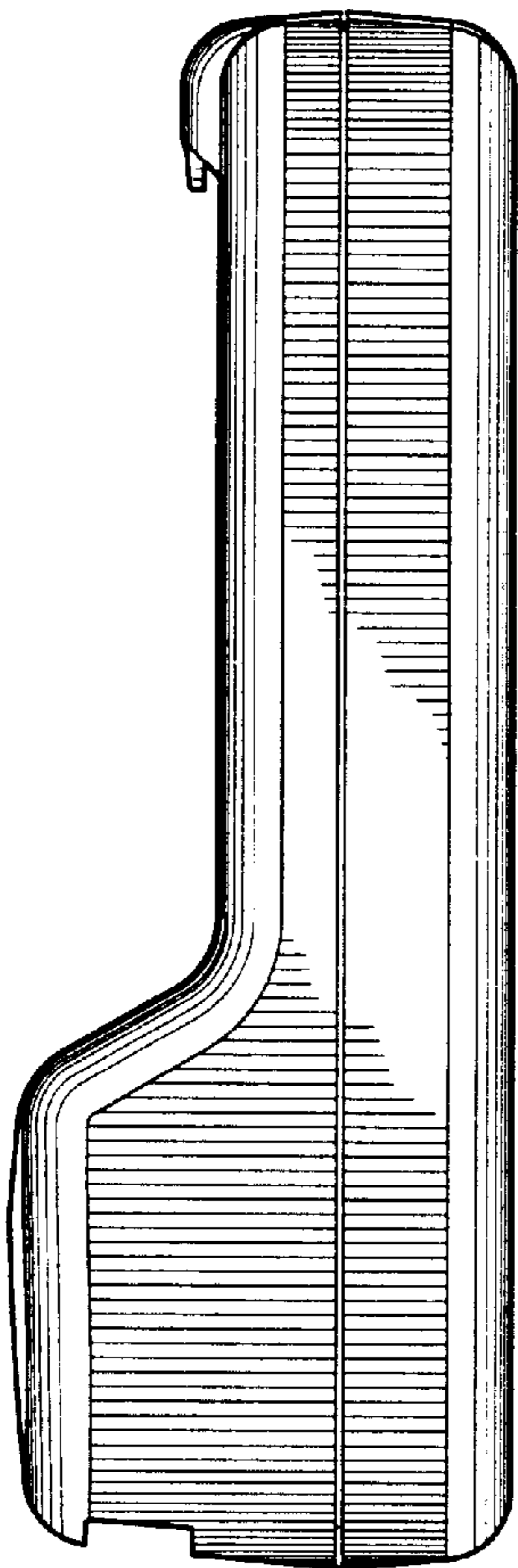


FIG. 6

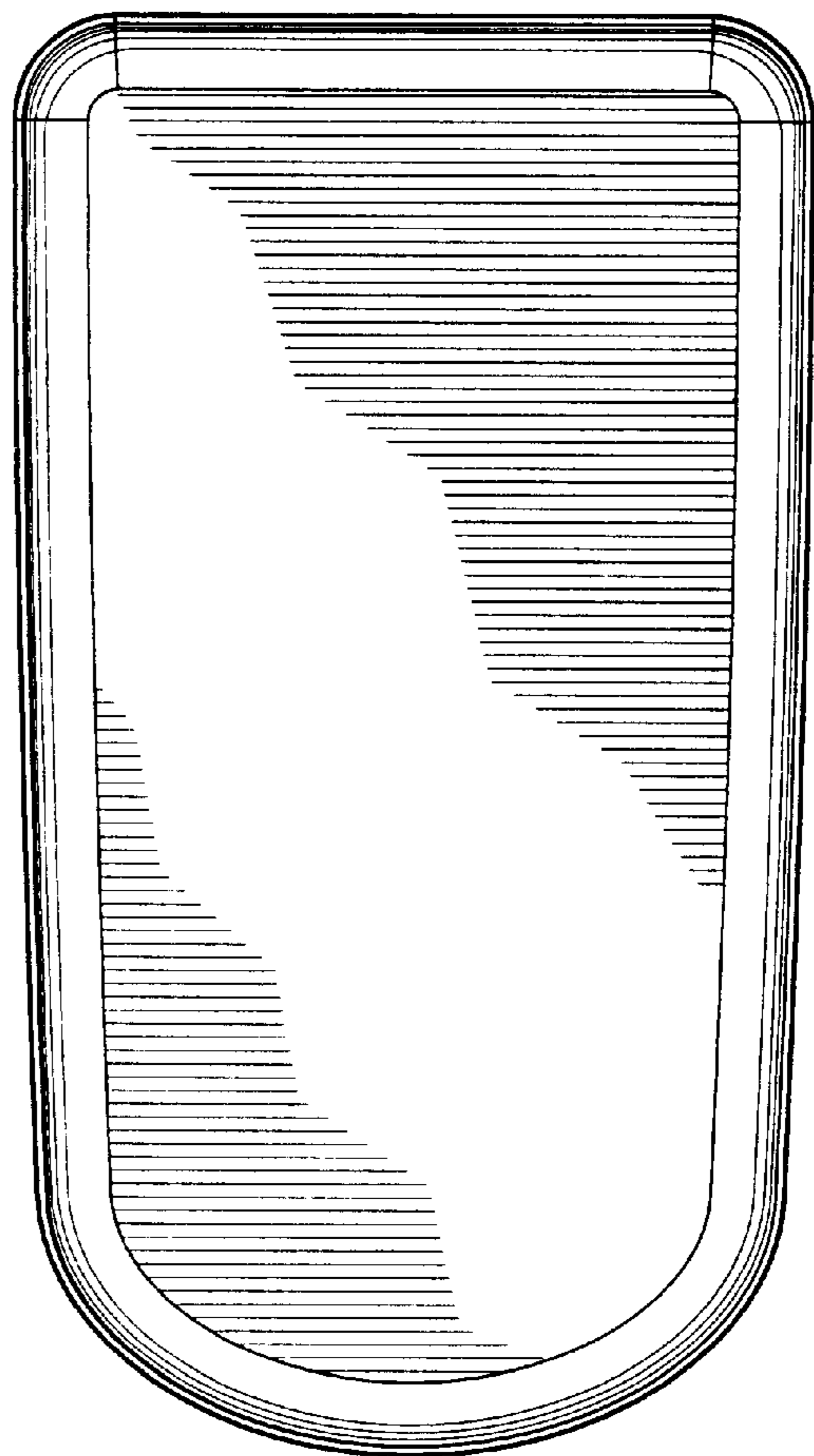


FIG. 7

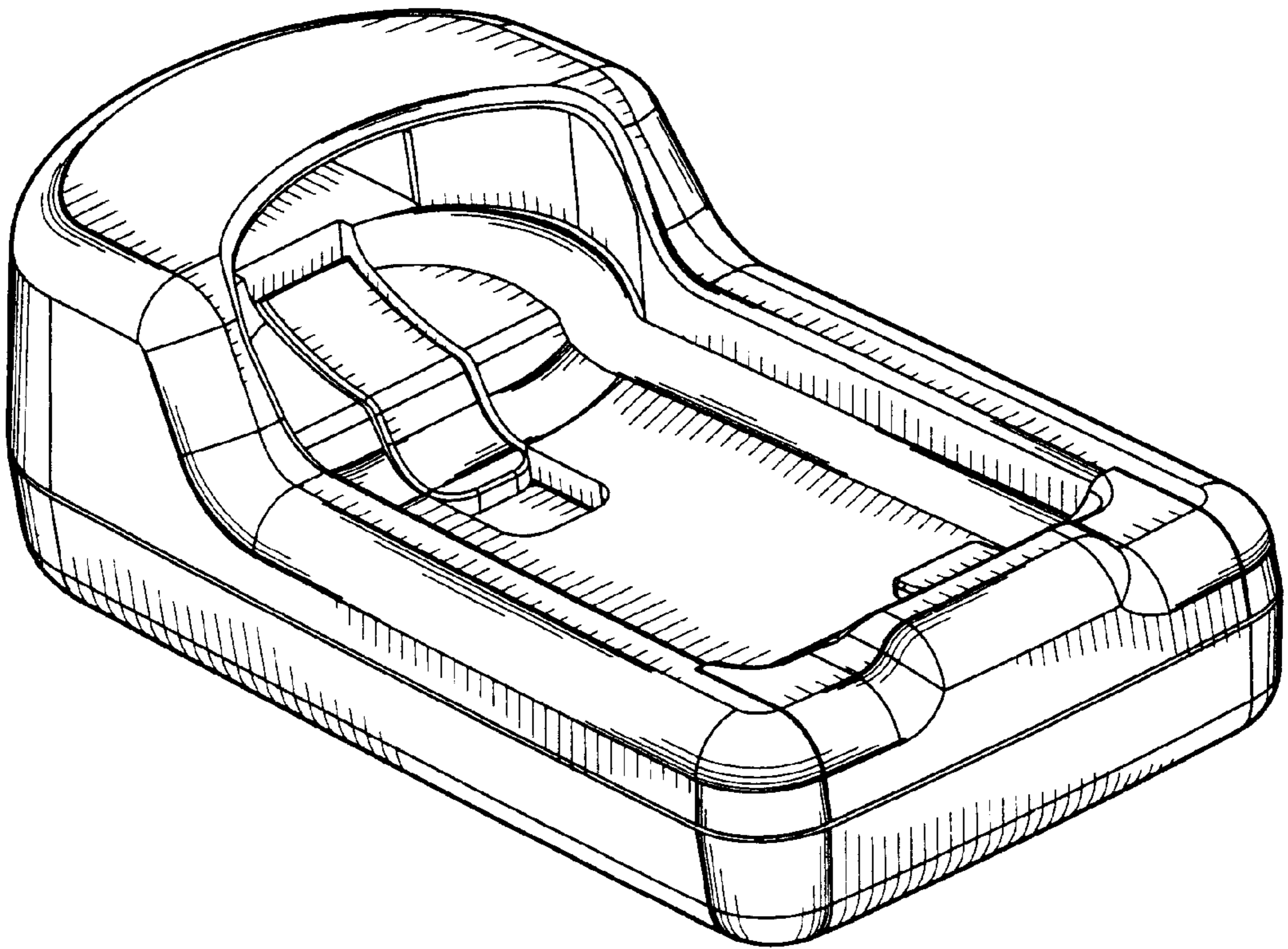


FIG. 8