



US00D421441S

# United States Patent [19] Aanenson

[11] **Patent Number: Des. 421,441**  
[45] **Date of Patent: \*\* Mar. 7, 2000**

[54] **SET OF ANTENNA MARKERS**

[76] Inventor: **Kris Aanenson**, 14052 Short Hill Ct.,  
Saratoga, Calif. 95070

[\*\*] Term: **14 Years**

[21] Appl. No.: **29/083,598**

[22] Filed: **Feb. 12, 1998**

[51] **LOC (6) Cl. .... 14-03**

[52] **U.S. Cl. .... D14/232**

[58] **Field of Search** ..... D14/230-238;  
343/720, 721, 885, 900; D21/707, 712-714;  
D12/162, 172, 179; D11/157, 160; 428/11,  
31, 16; 40/491-493; 116/28 R; 362/253,  
124; 280/507; 434/139

[56] **References Cited**

**U.S. PATENT DOCUMENTS**

D. 103,876	3/1937	Pickin	.....	D21/707
D. 354,371	1/1995	Wood	.....	D21/713
D. 357,500	4/1995	Mutterperl	.....	D21/713
D. 387,772	12/1997	Steinberg	.....	D14/230
1,740,927	12/1929	Landini	.....	434/138
3,003,149	10/1961	Grashow	.....	343/900
3,526,050	9/1970	Weller	.....	40/591
4,454,204	6/1984	Posey	.....	428/11
4,978,964	12/1990	Castille	.....	343/720
5,066,012	11/1991	Stark	.....	362/253
5,549,940	8/1996	Noone	.....	40/592

**OTHER PUBLICATIONS**

Hong Kong Toys, vol. 1. Single sheet showing a plurality of game balls, p. 974, Dec. 1993.  
Antenna Marketing and Design, form the World Wide Web, Single sheet showing antenna toppers. Items #5, Football, item #8, baseball, Mar. 1999.

*Primary Examiner*—Louis S. Zarfes  
*Assistant Examiner*—Gregory Andoll

[57] **CLAIM**

The ornamental design for a set of antenna markers, as shown and described.

**DESCRIPTION**

FIG. 1 is a front plan view of the set of antenna markers of the present invention;

FIG. 2 is a back plan view of the set of antenna markers of FIG. 1;

FIG. 3 is a left side plan view of the set of antenna markers of FIG. 1;

FIG. 4 is a right side plan view of the set of antenna markers of FIG. 1;

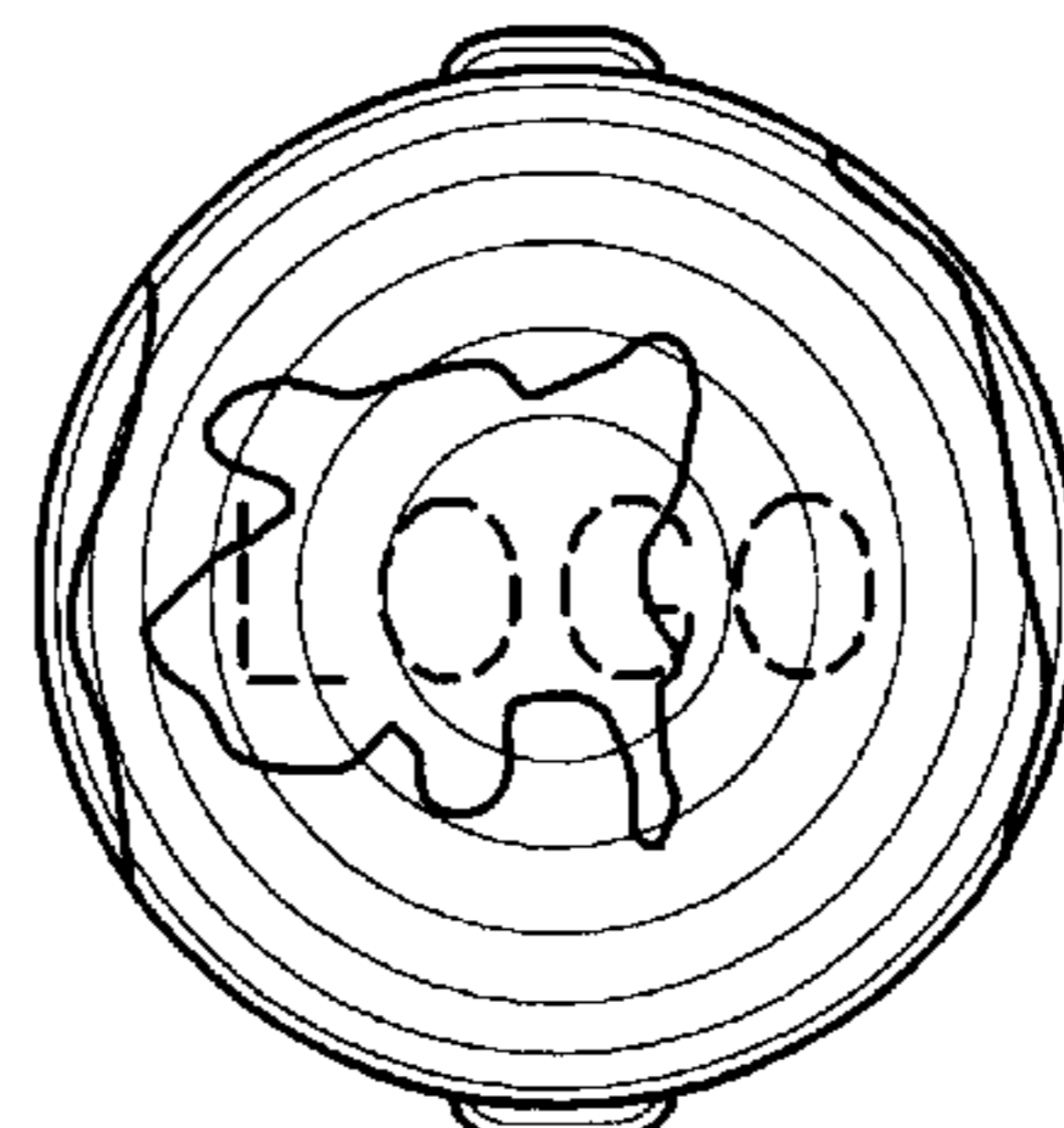
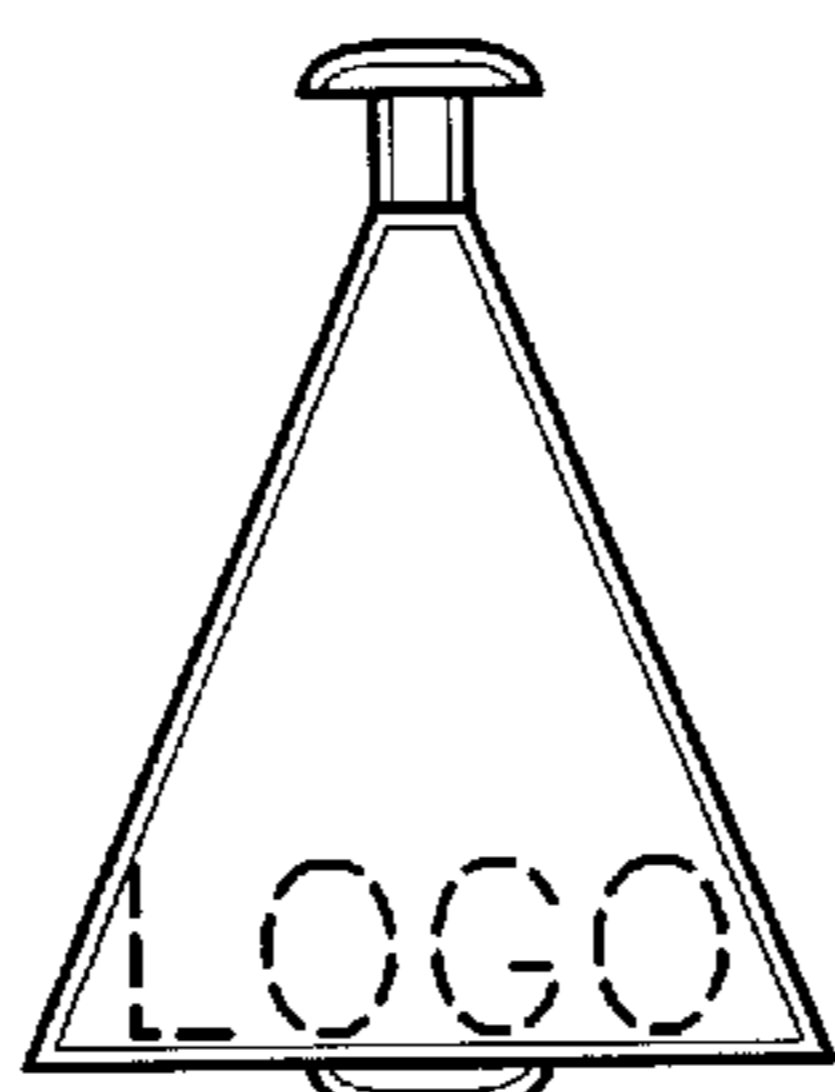
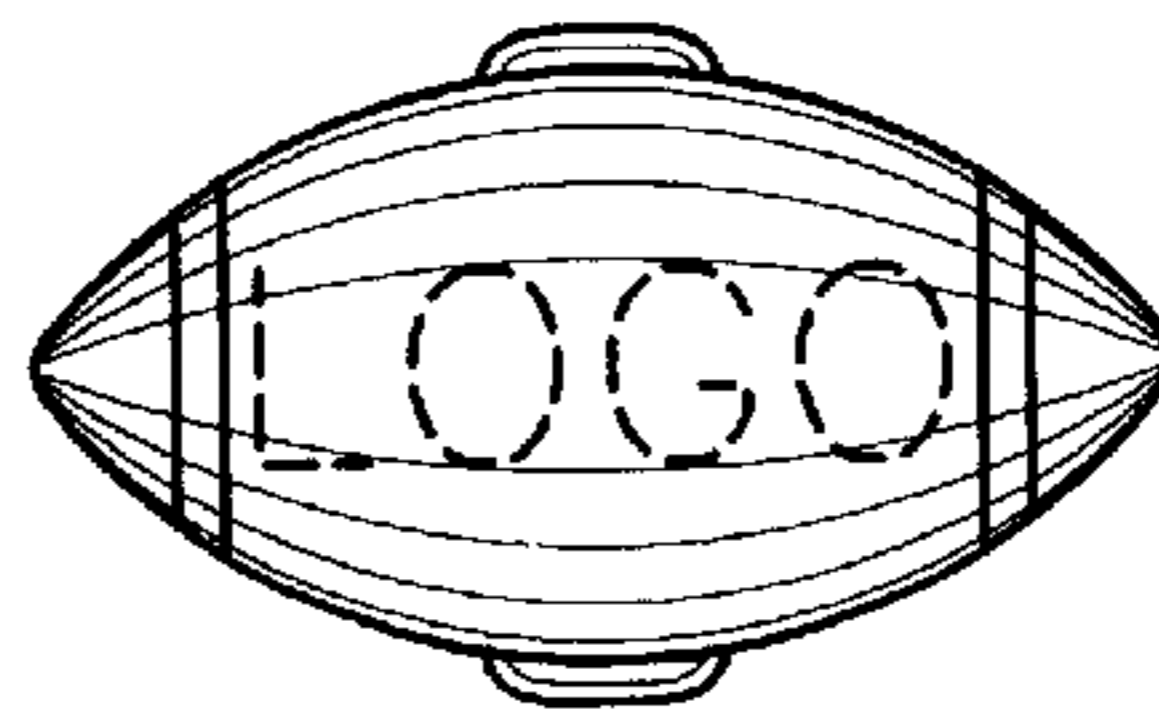
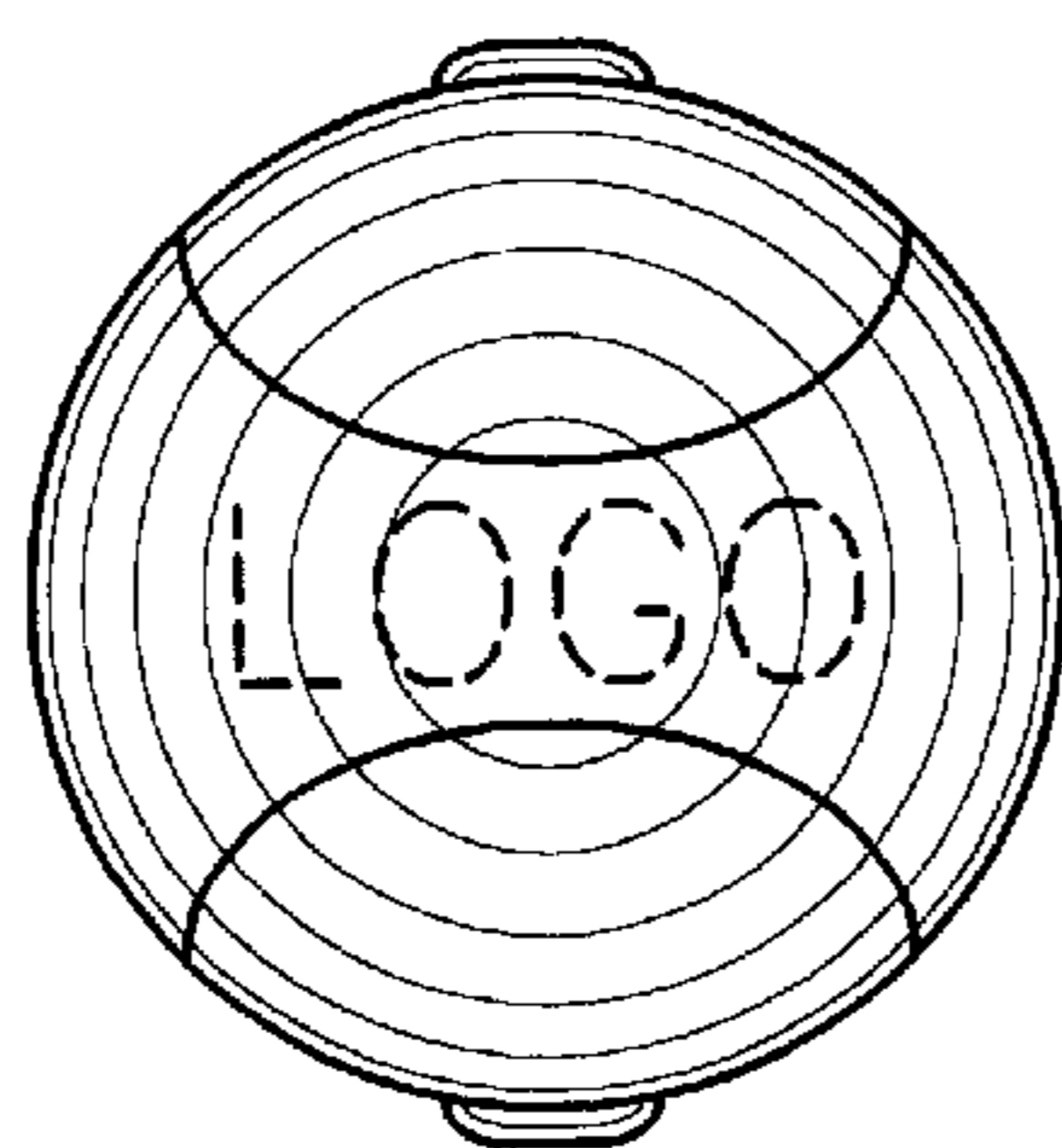
FIG. 5 is a top plan view of the set of antenna markers of FIG. 1;

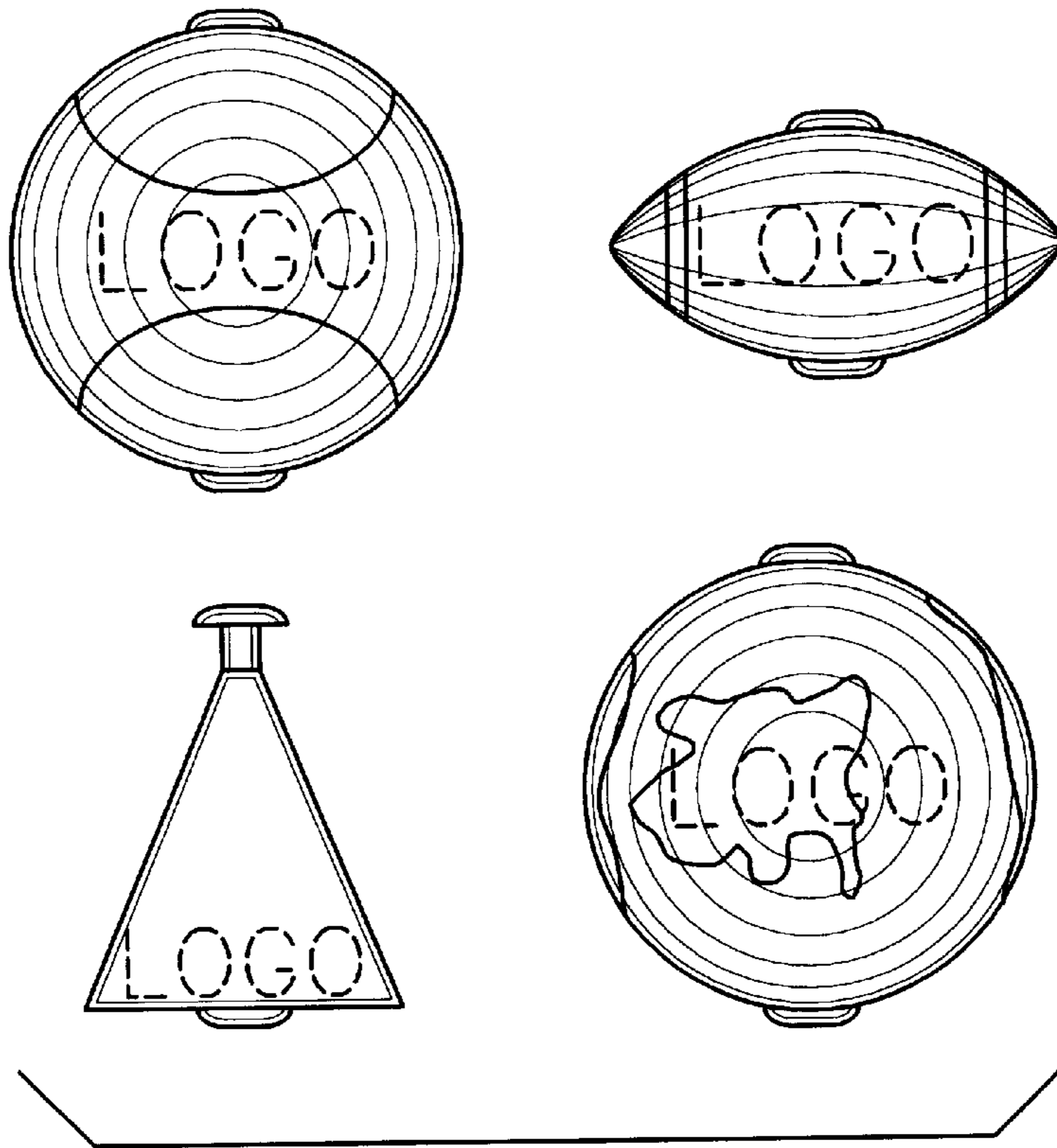
FIG. 6 is a bottom plan view of the set of antenna markers of FIG. 1; and,

FIG. 7 is a cross sectional view along line 7—7 of FIG. 5 of the set of antenna markers of FIG. 1.

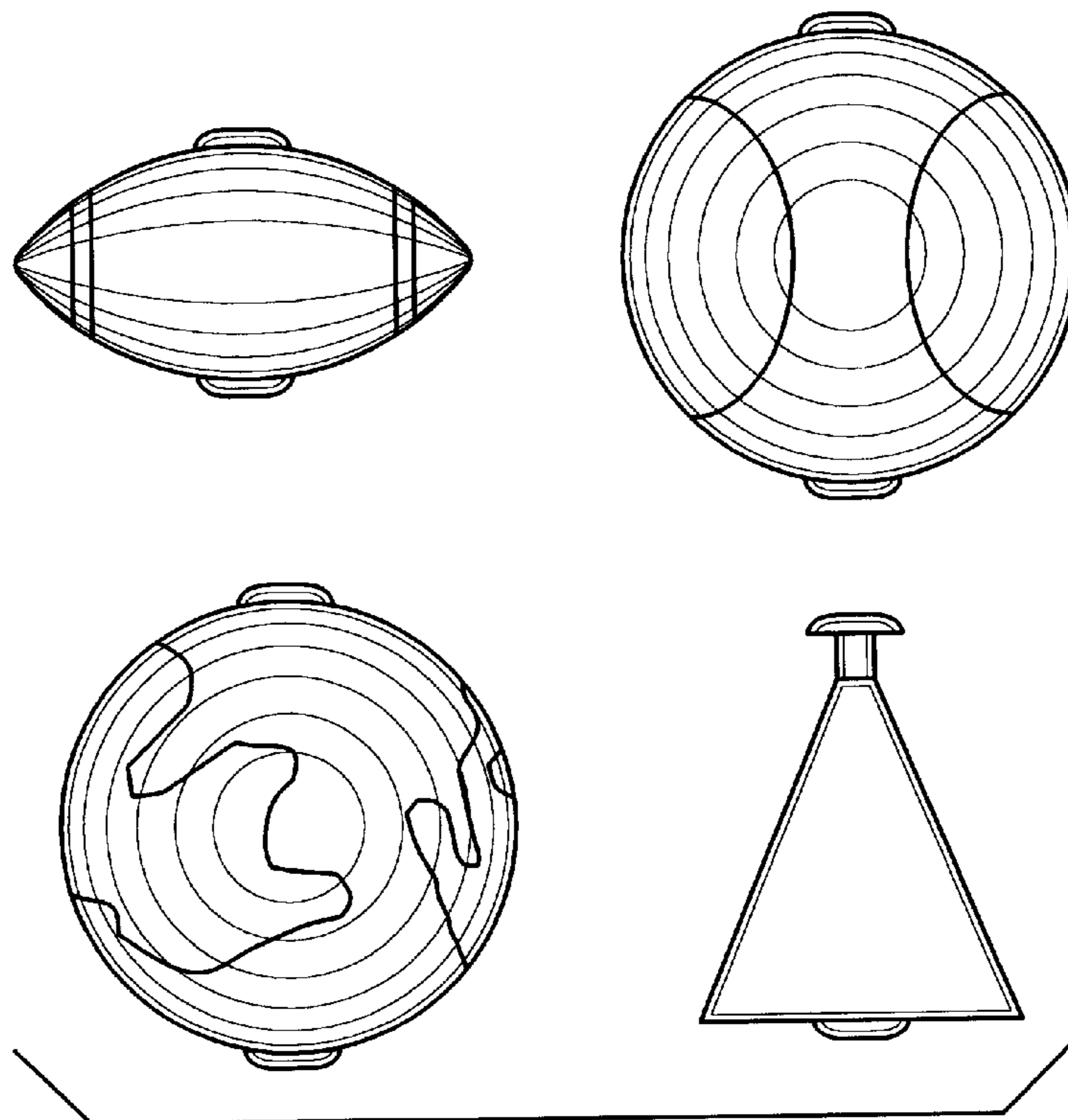
The broken line showing of the logos in the figures is for illustrative purposes only and forms no part of the claimed design.

**1 Claim, 4 Drawing Sheets**

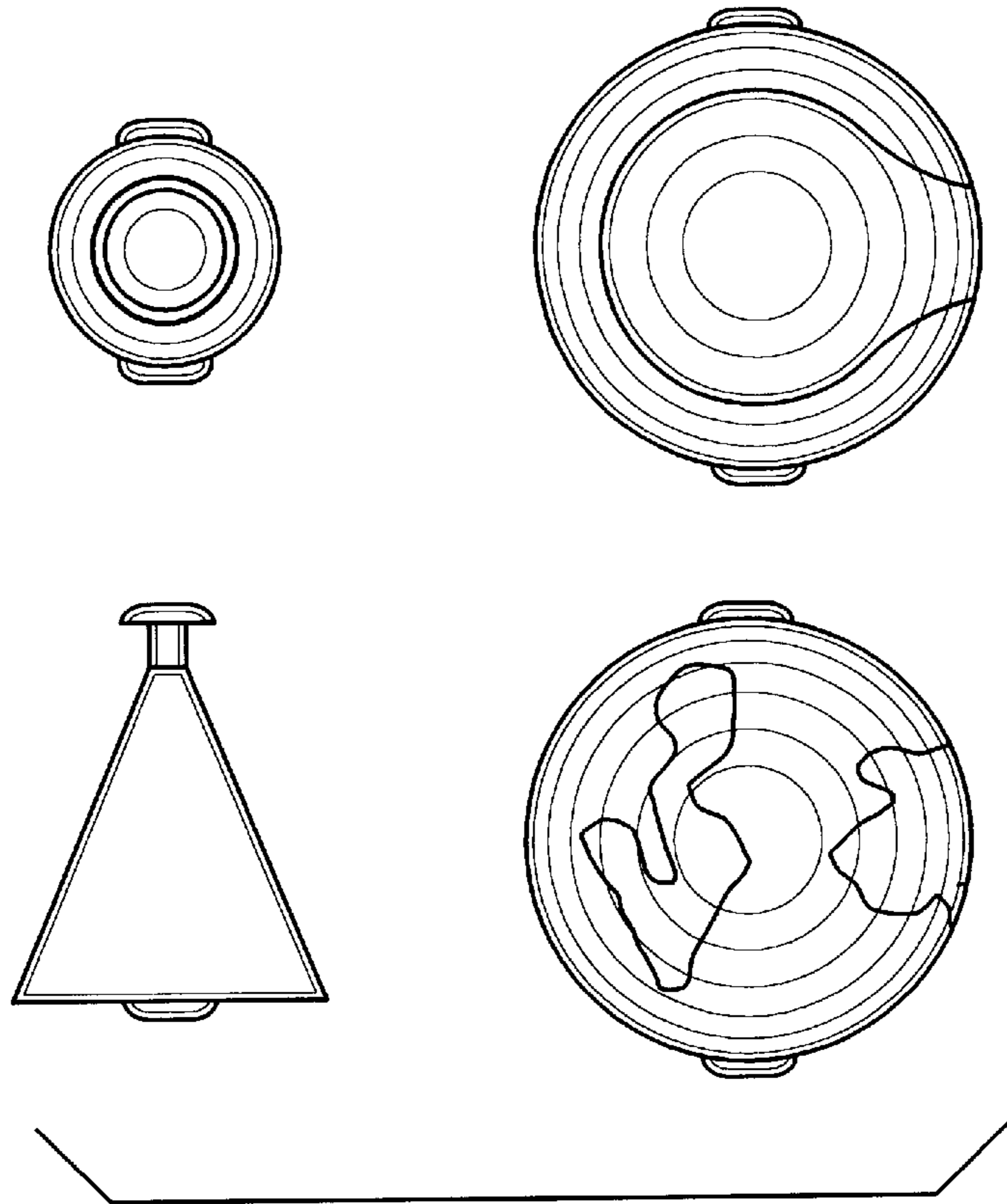




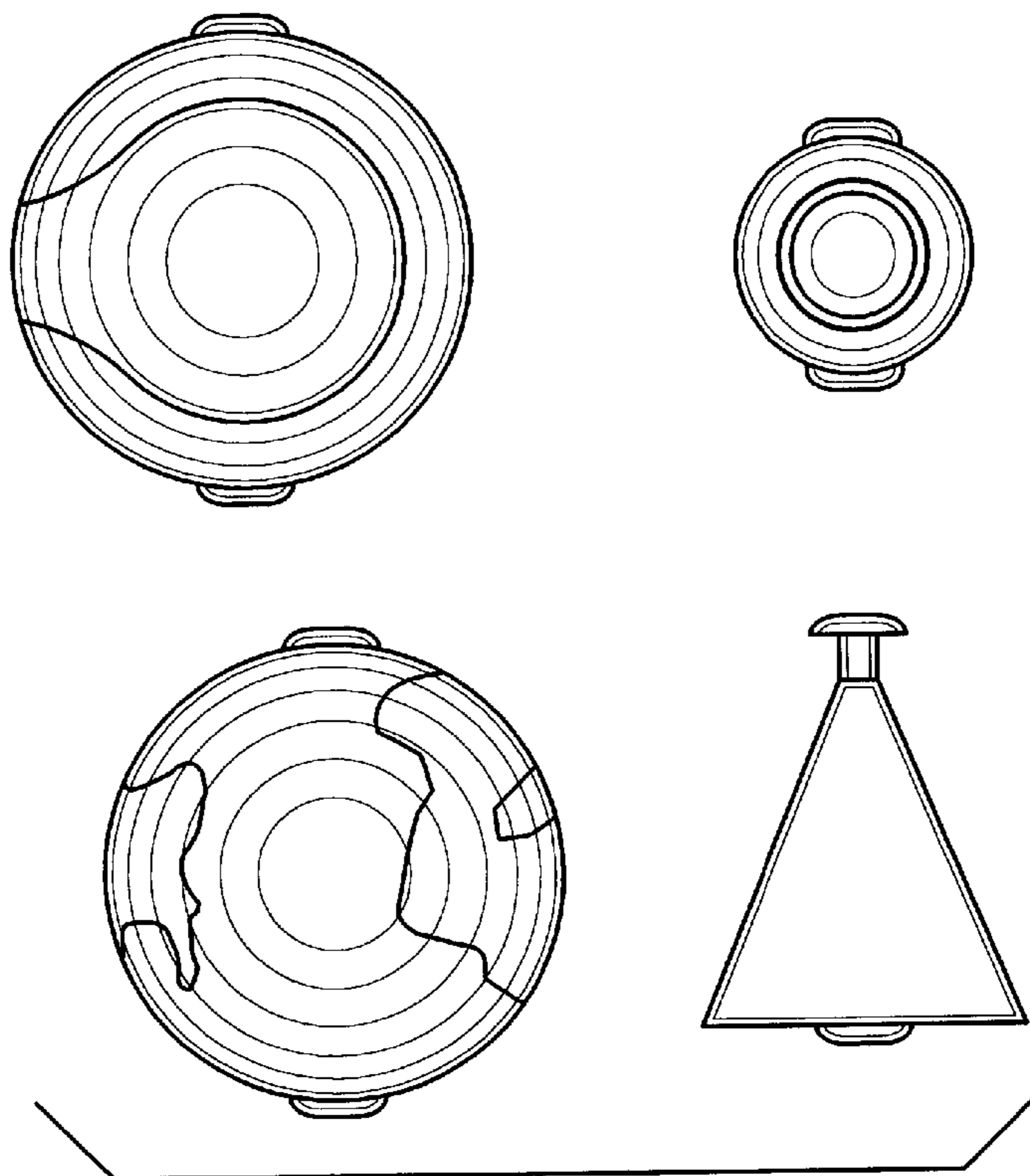
*Fig. 1*



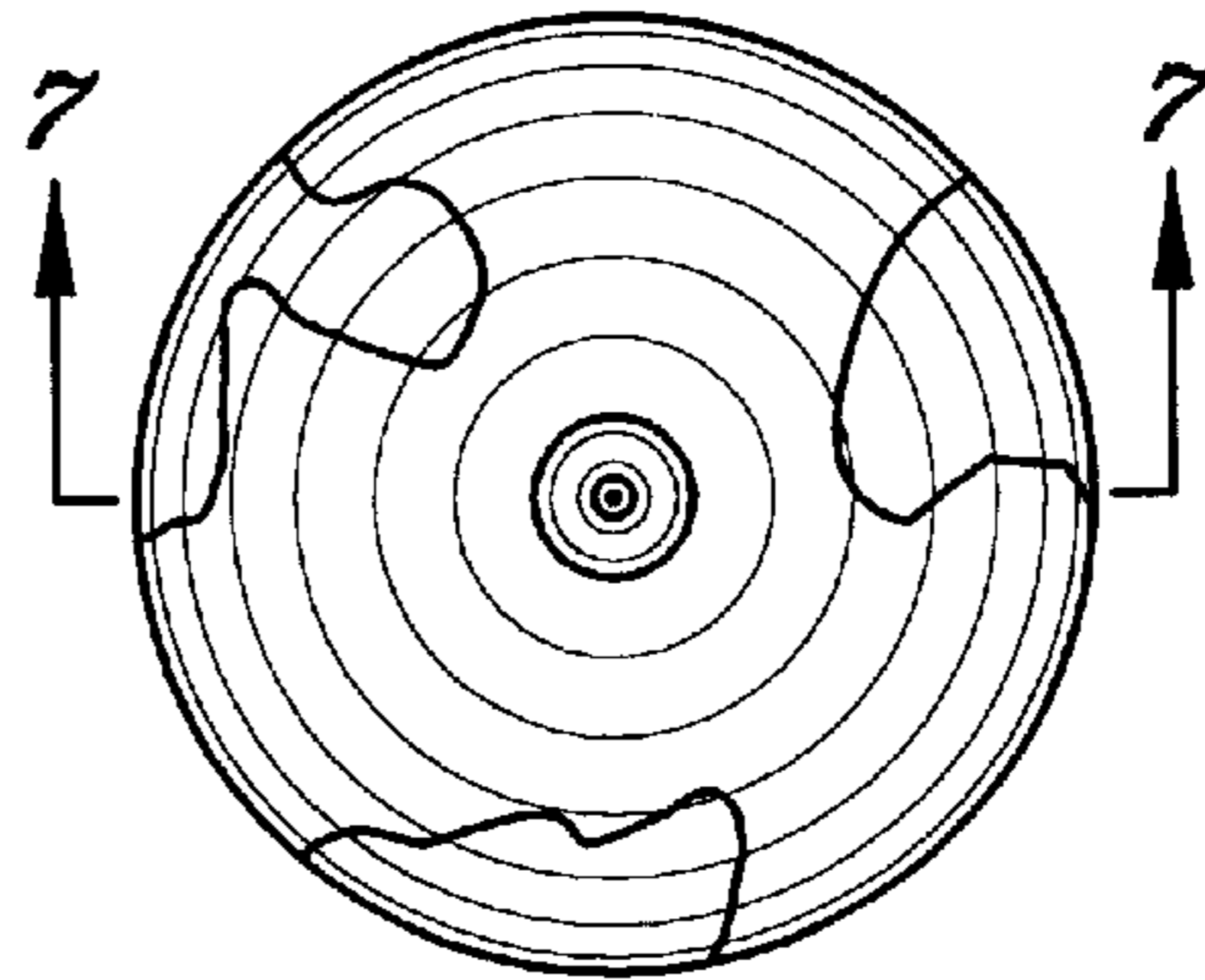
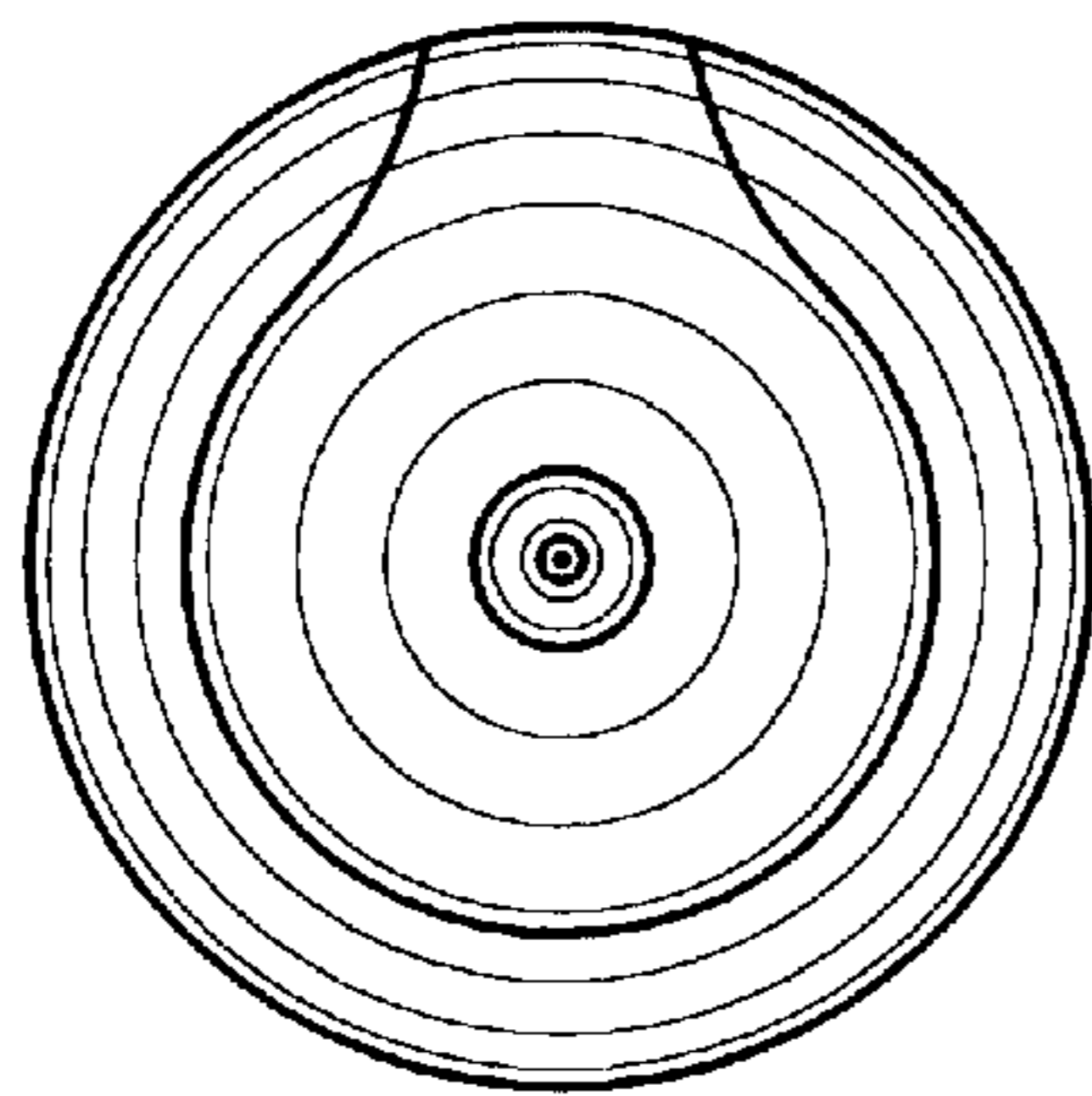
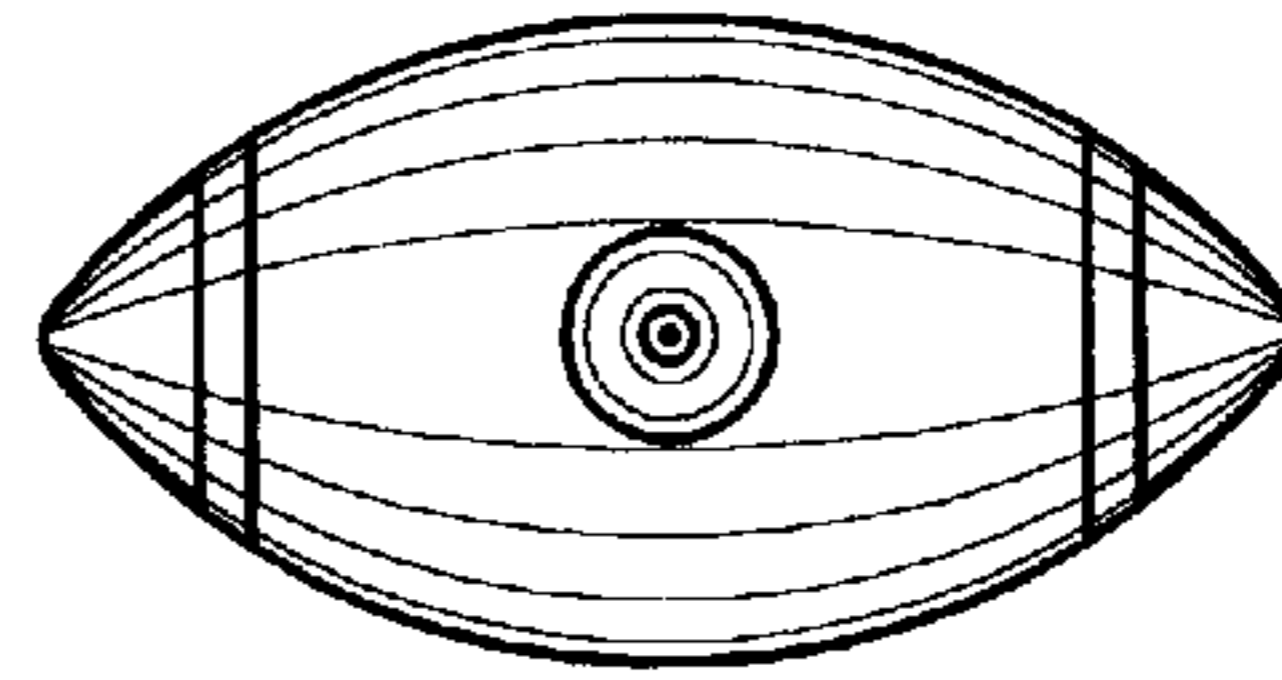
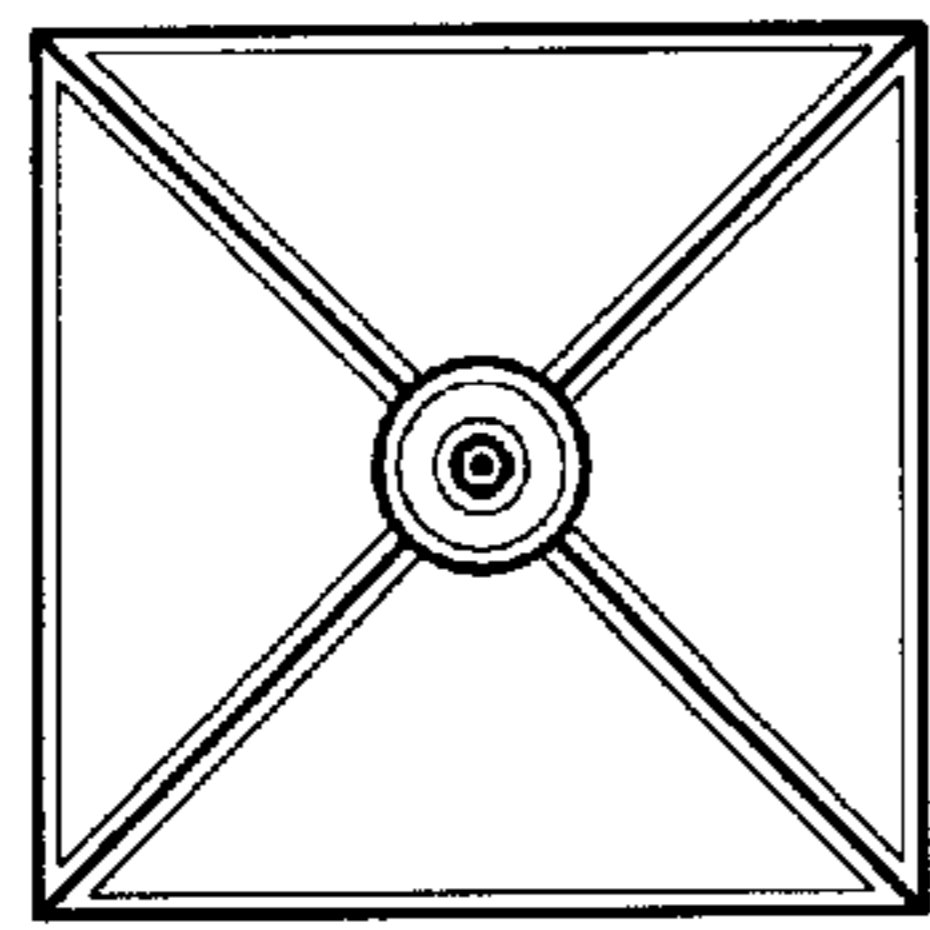
*Fig. 2*



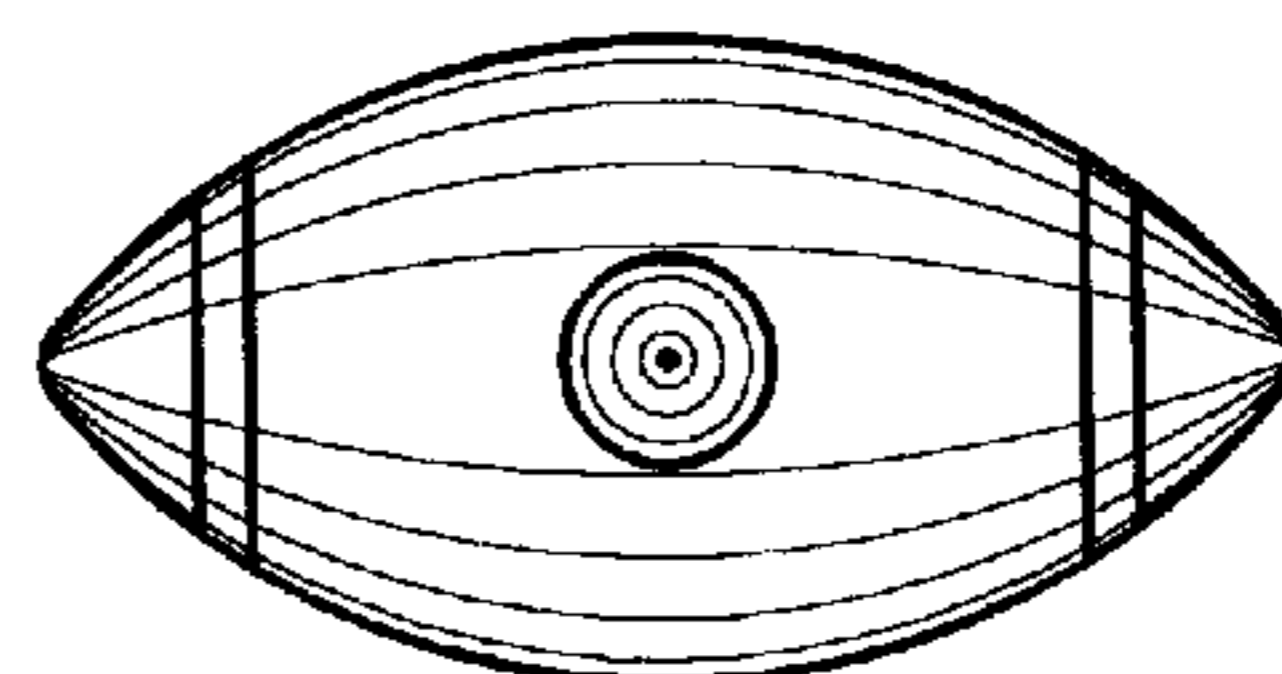
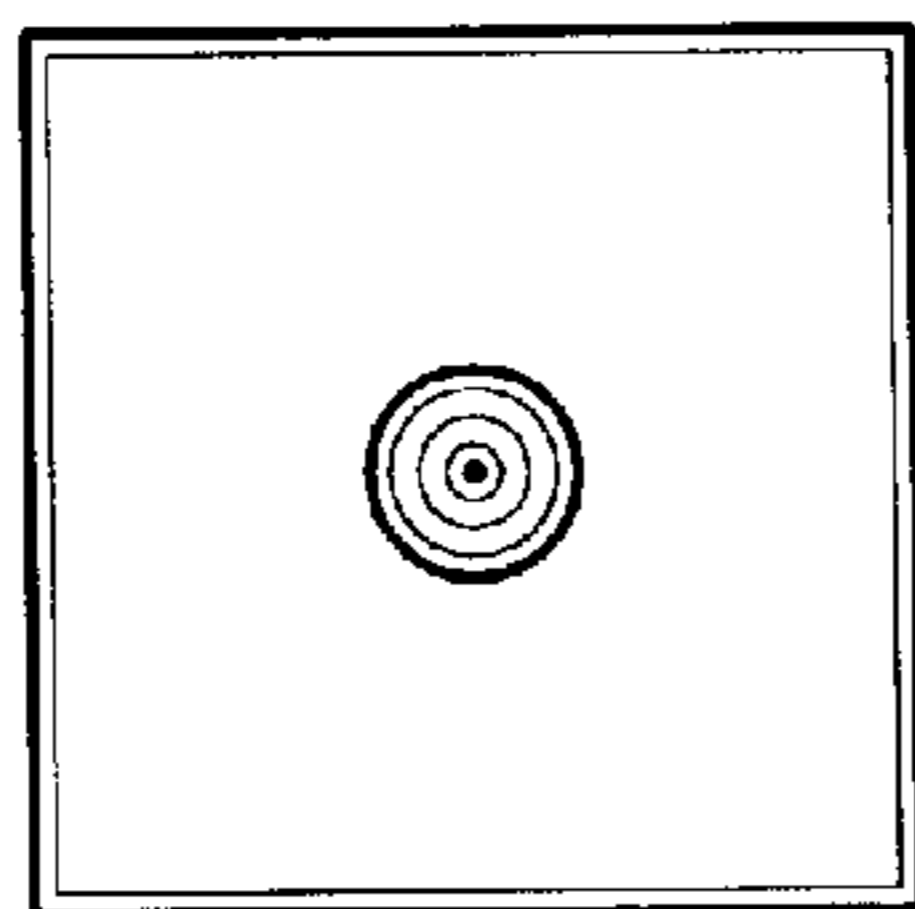
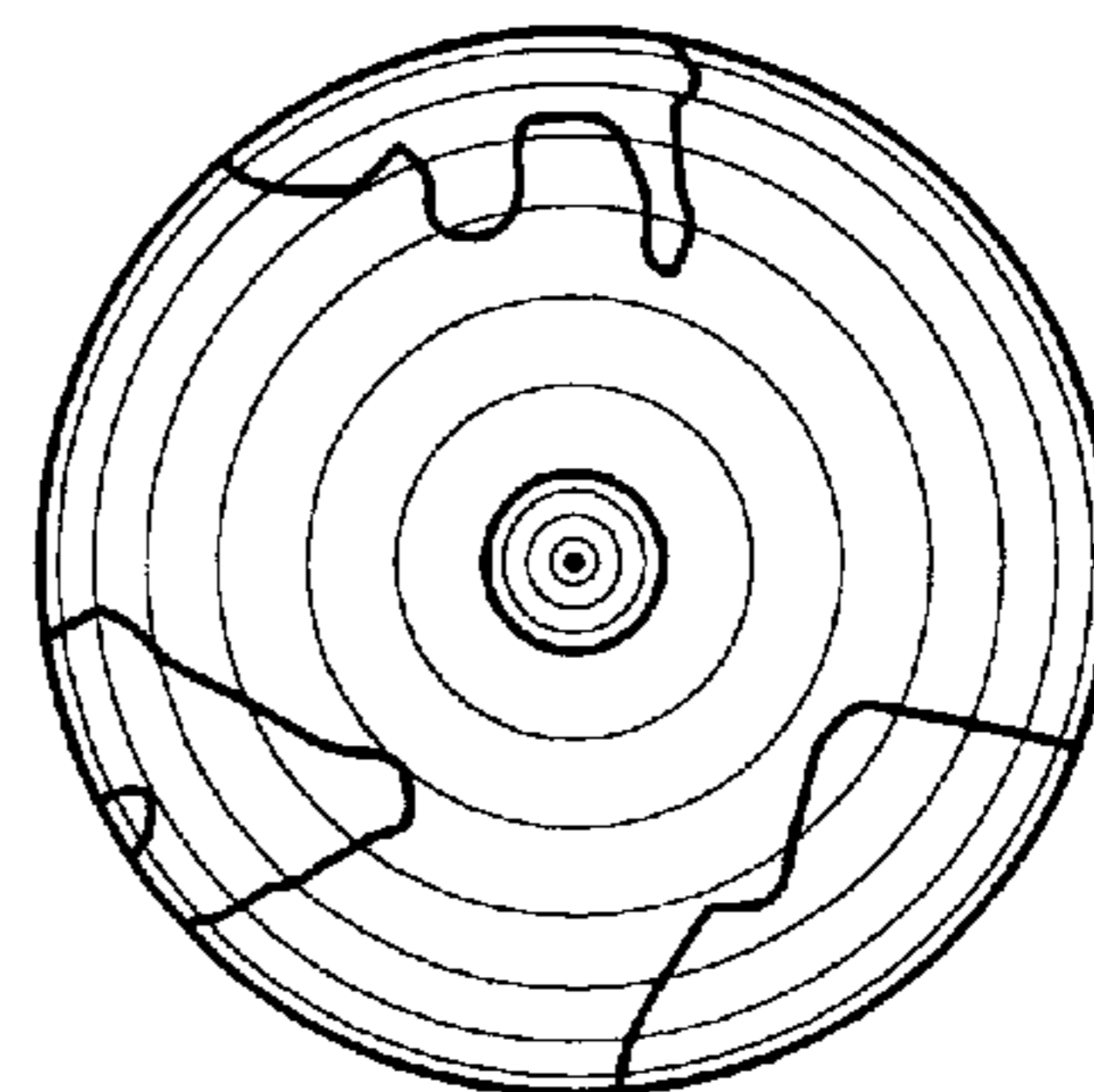
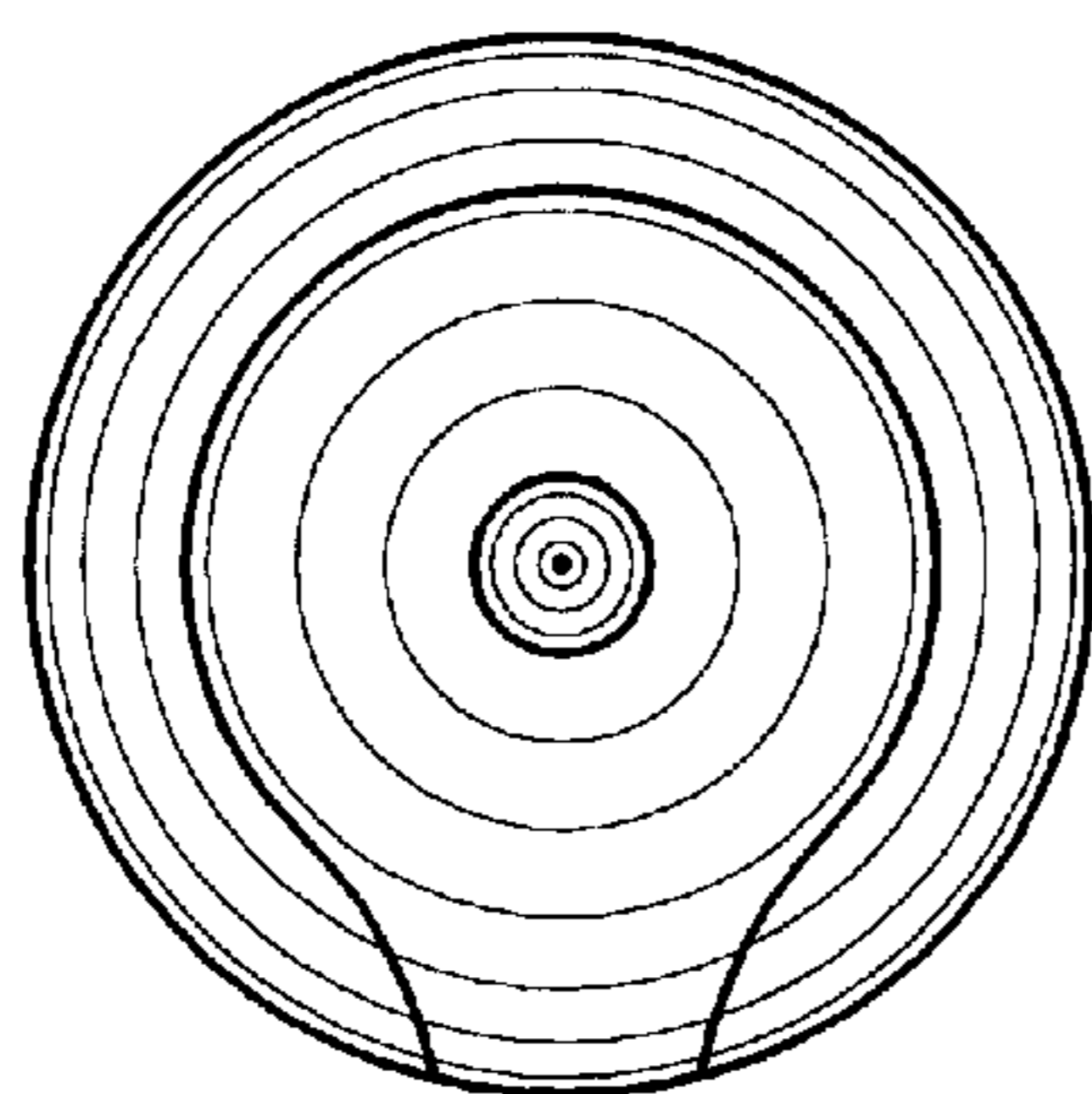
*Fig. 3*



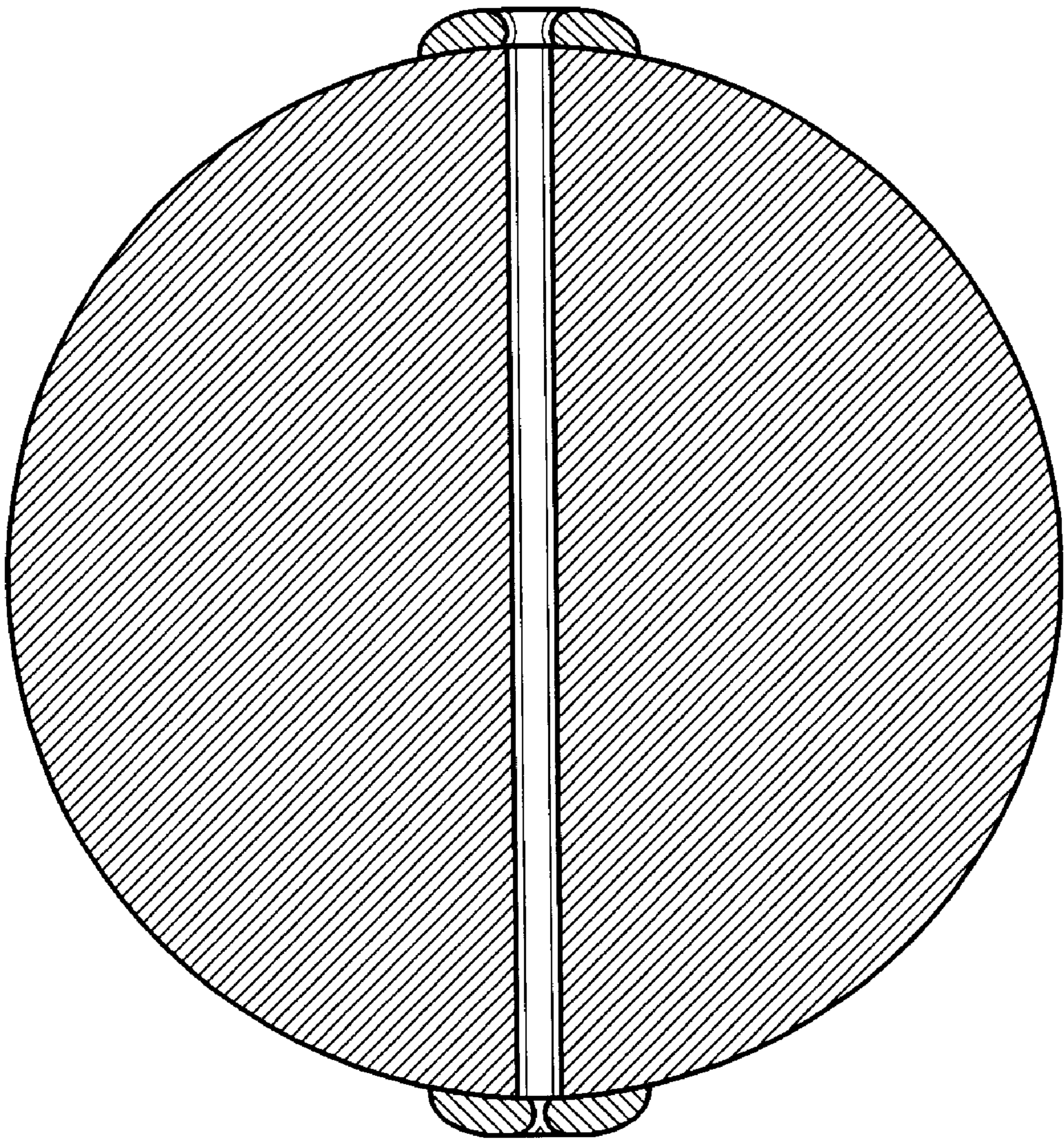
*Fig. 4*



*Fig. 5*



*Fig. 6*



*Fig. 7*