



US00D421440S

United States Patent [19] Galimand

[11] **Patent Number: Des. 421,440**
[45] **Date of Patent: ** Mar. 7, 2000**

[54] **SATELLITE ANTENNA**
[75] Inventor: **Patrice Galimand**, Vigneux sur Seine, France
[73] Assignee: **Manufacture d'Appareillage Electrique de Cahors**, Cahors, France
[**] Term: **14 Years**
[21] Appl. No.: **29/084,459**
[22] Filed: **Mar. 4, 1998**
[30] **Foreign Application Priority Data**
Sep. 19, 1997 [FR] France 97 5426
[51] **LOC (6) Cl.** **14-03**
[52] **U.S. Cl.** **D14/231; 343/882**
[58] **Field of Search** **D14/230-238; 343/840, 872, 882**

0172806 9/1984 Japan 343/840

OTHER PUBLICATIONS

Technical Applicant Corporation, Spec. sheet for Telemetry Antennas, one sheet, single image, Jul. 1959.
Anderson, Ross; "Meet the Quad Antenna" QST, vol. LXVIII, No. 11, Nov. 1984.

Primary Examiner—Louis S. Zarfes
Assistant Examiner—G. Andoll
Attorney, Agent, or Firm—Young & Thompson

[57] CLAIM

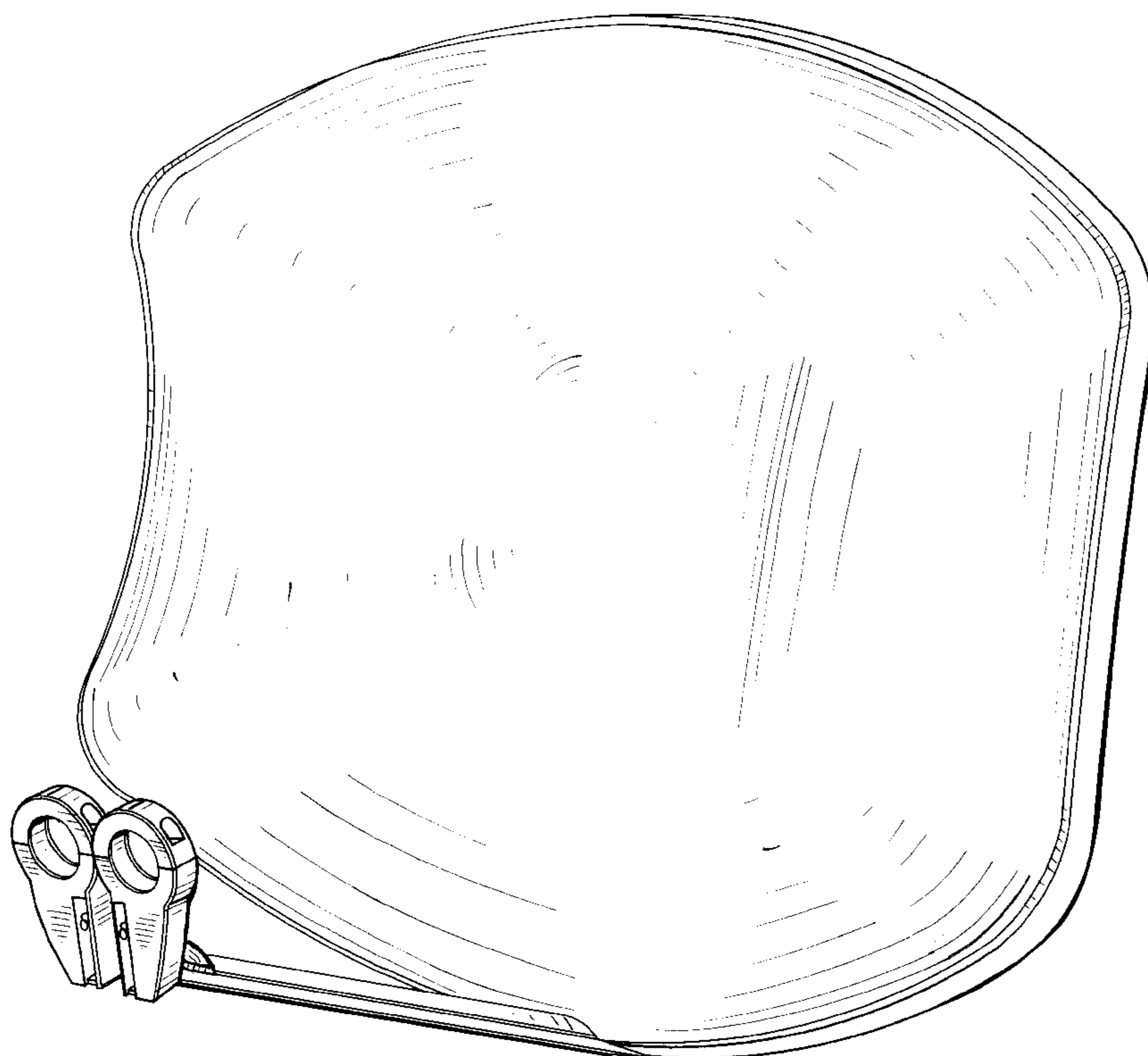
The ornamental design for a satellite antenna, as shown.

DESCRIPTION

FIG. 1 is a front elevational view of a satellite antenna showing my new design;
FIG. 2 is a rear elevational view thereof;
FIG. 3 is a front perspective view thereof;
FIG. 4 is a rear perspective view thereof;
FIG. 5 is a side elevational view thereof from the left of FIG. 1;
FIG. 6 is a side elevational view thereof from the right of FIG. 1;
FIG. 7 is a top plan view thereof; and,
FIG. 8 is a bottom plan view thereof.
The surfaces of the article not shown in the drawings or described in the specification form no part of the claimed design.
The broken lines which define the boundaries of the claimed design form no part thereof.

[56] **References Cited**
U.S. PATENT DOCUMENTS
D. 322,254 12/1991 Su D14/231
D. 362,444 9/1995 Schneeman D14/231
4,348,677 9/1982 Salmond 343/840
4,689,637 8/1987 Ochiai et al. 343/840
5,175,562 12/1992 Rappaport 343/840
5,198,830 3/1993 Lin 343/840
5,751,254 5/1998 Bird et al. 343/840
FOREIGN PATENT DOCUMENTS
5350809 3/1987 Germany 343/882

1 Claim, 8 Drawing Sheets



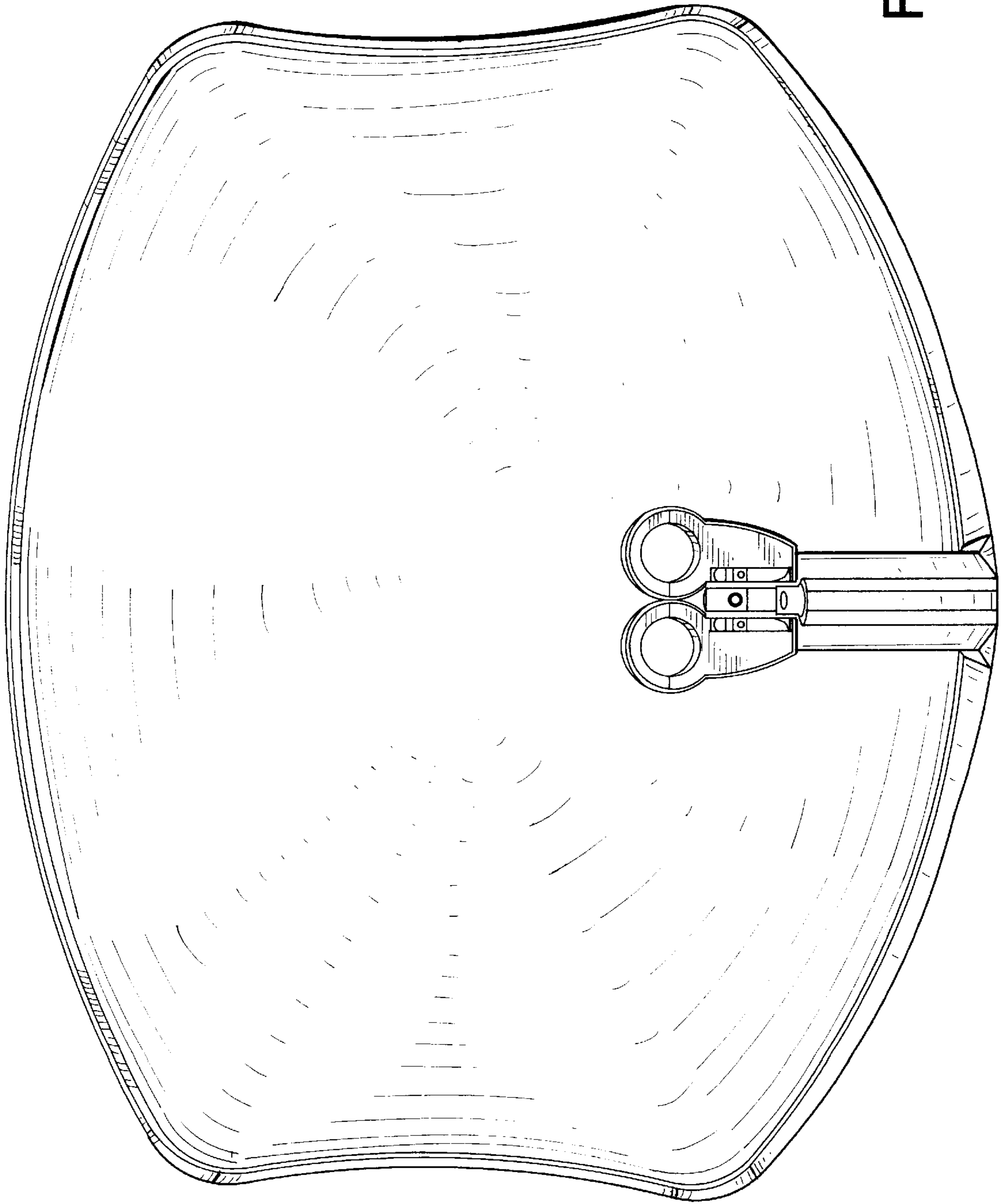


FIG. 1

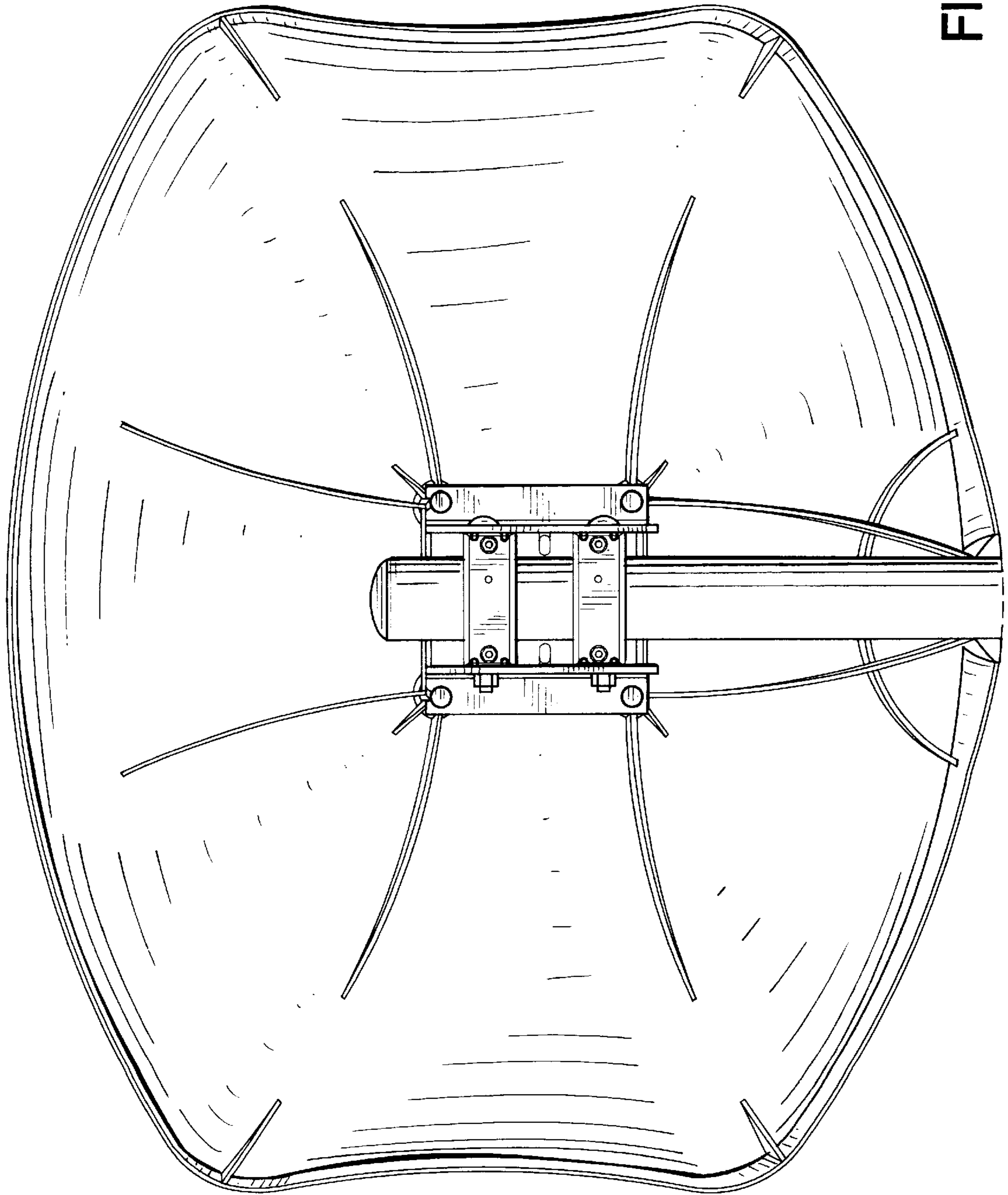


FIG. 2

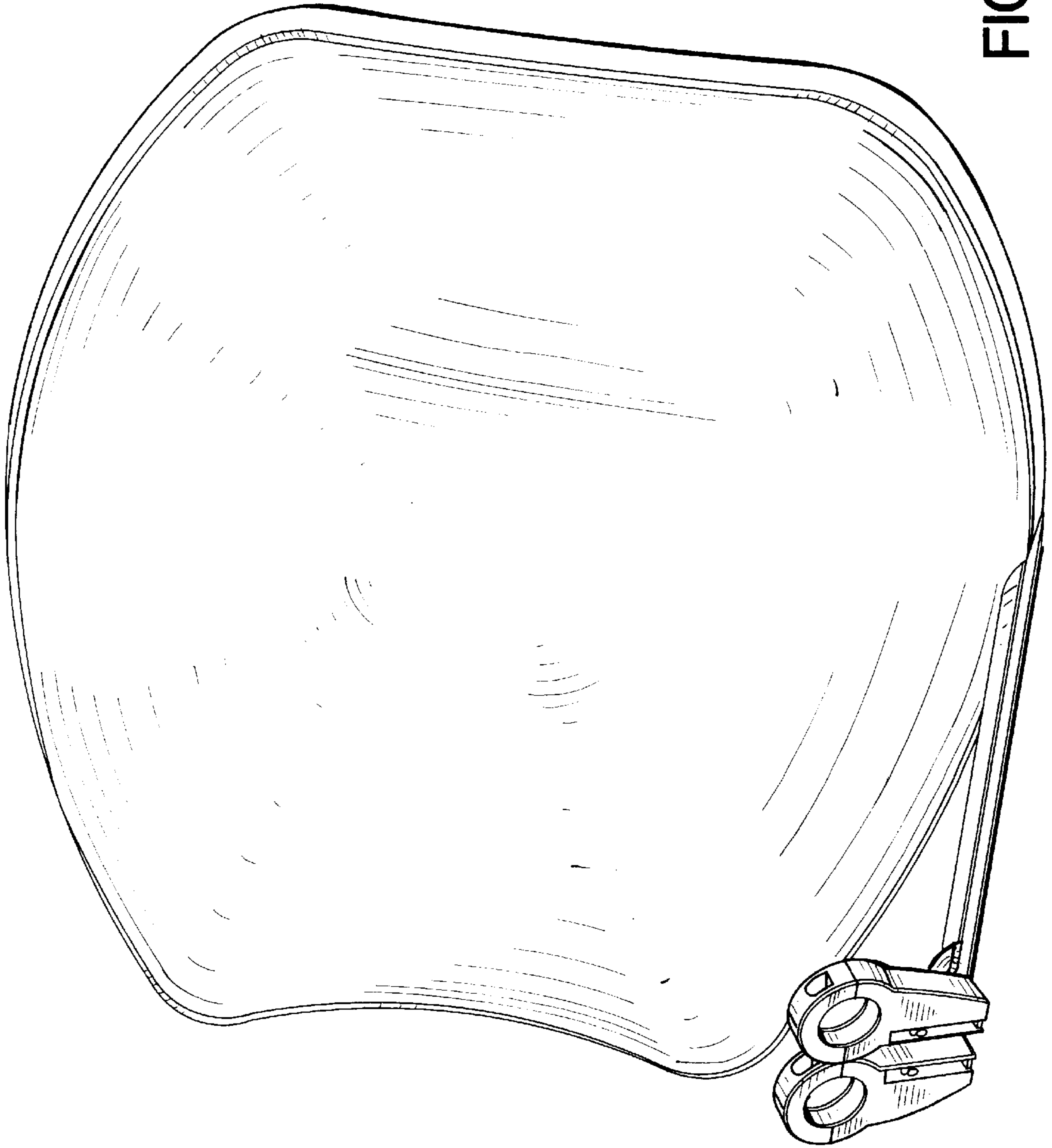


FIG. 3

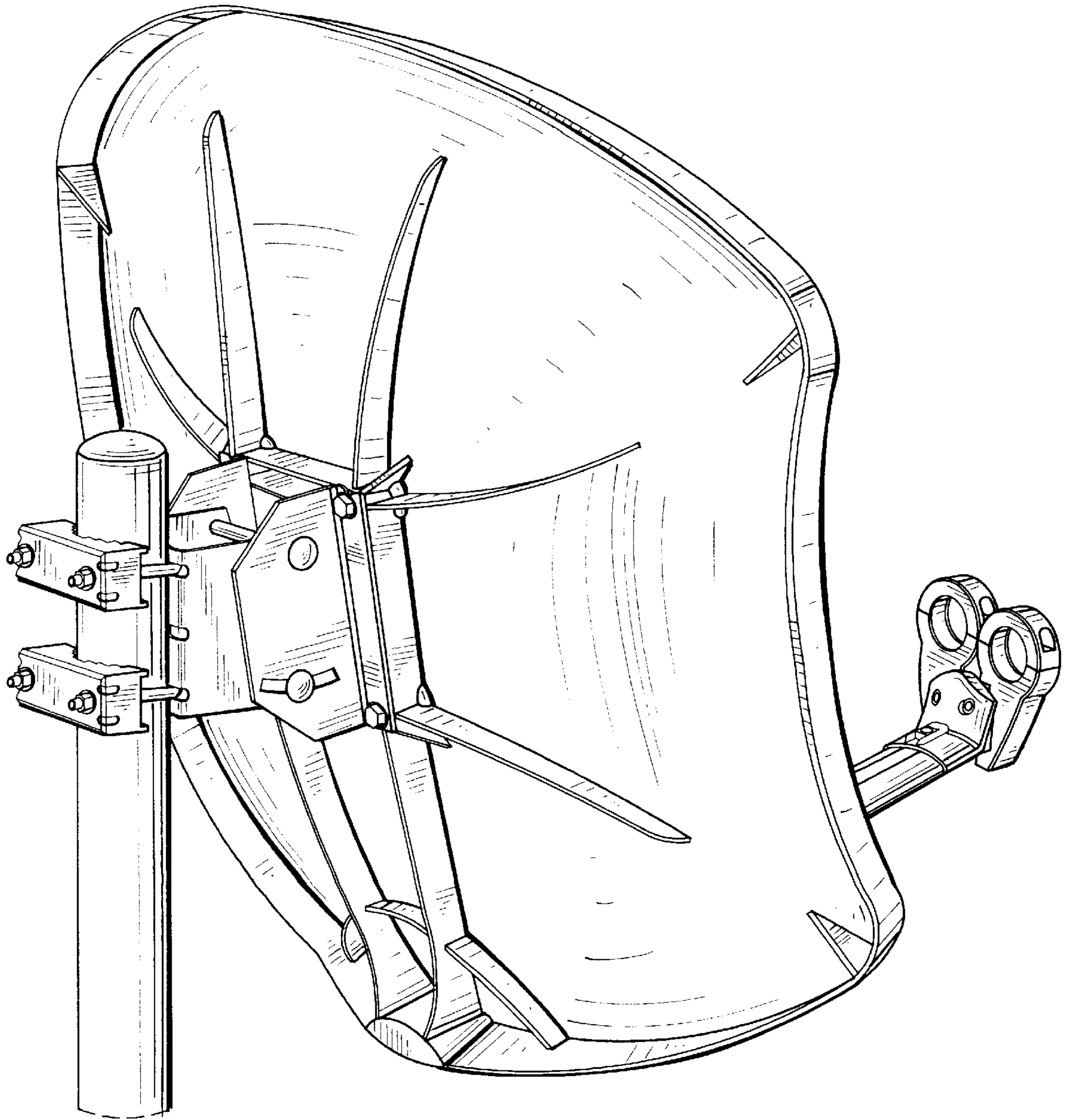


FIG. 4

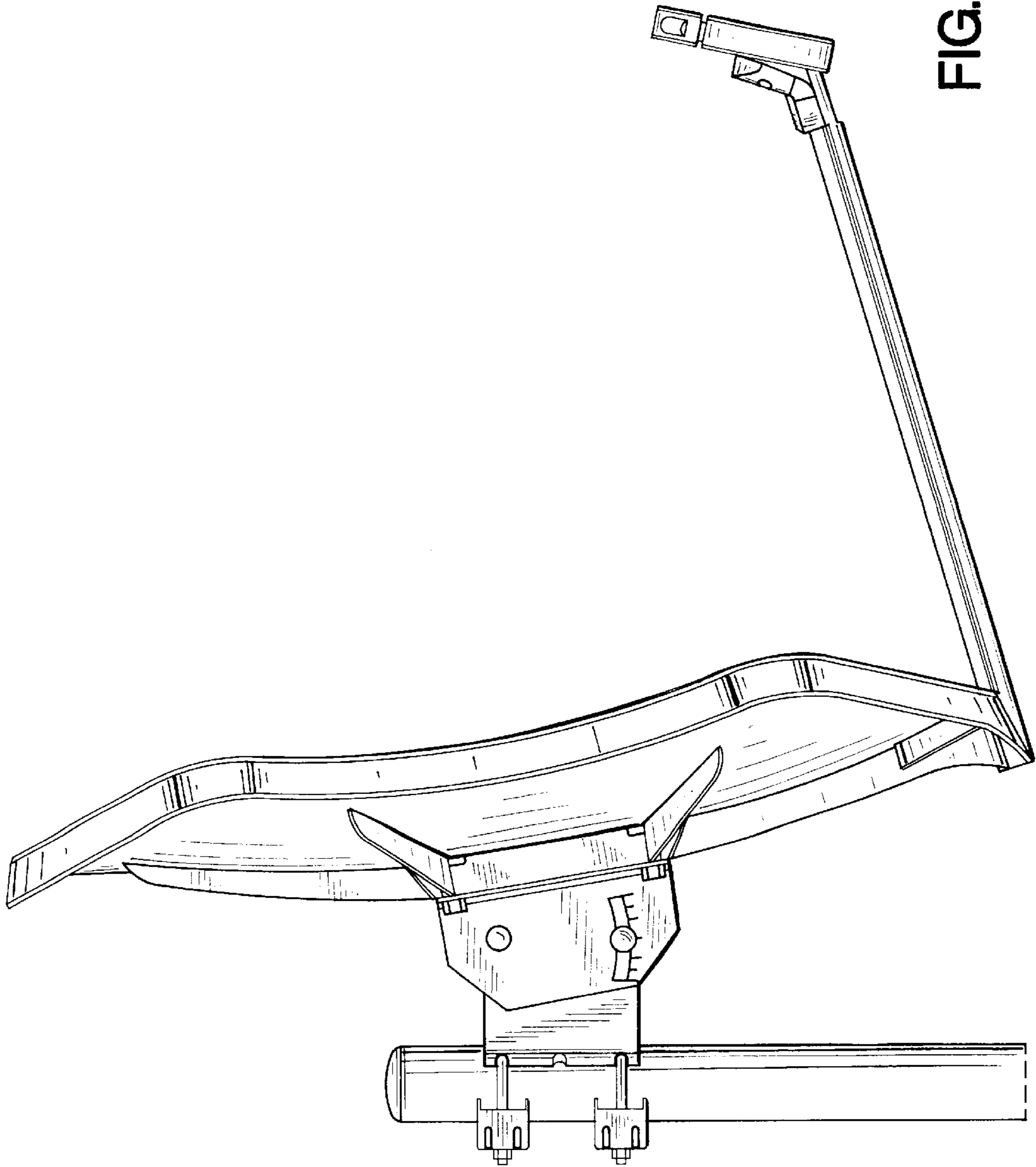
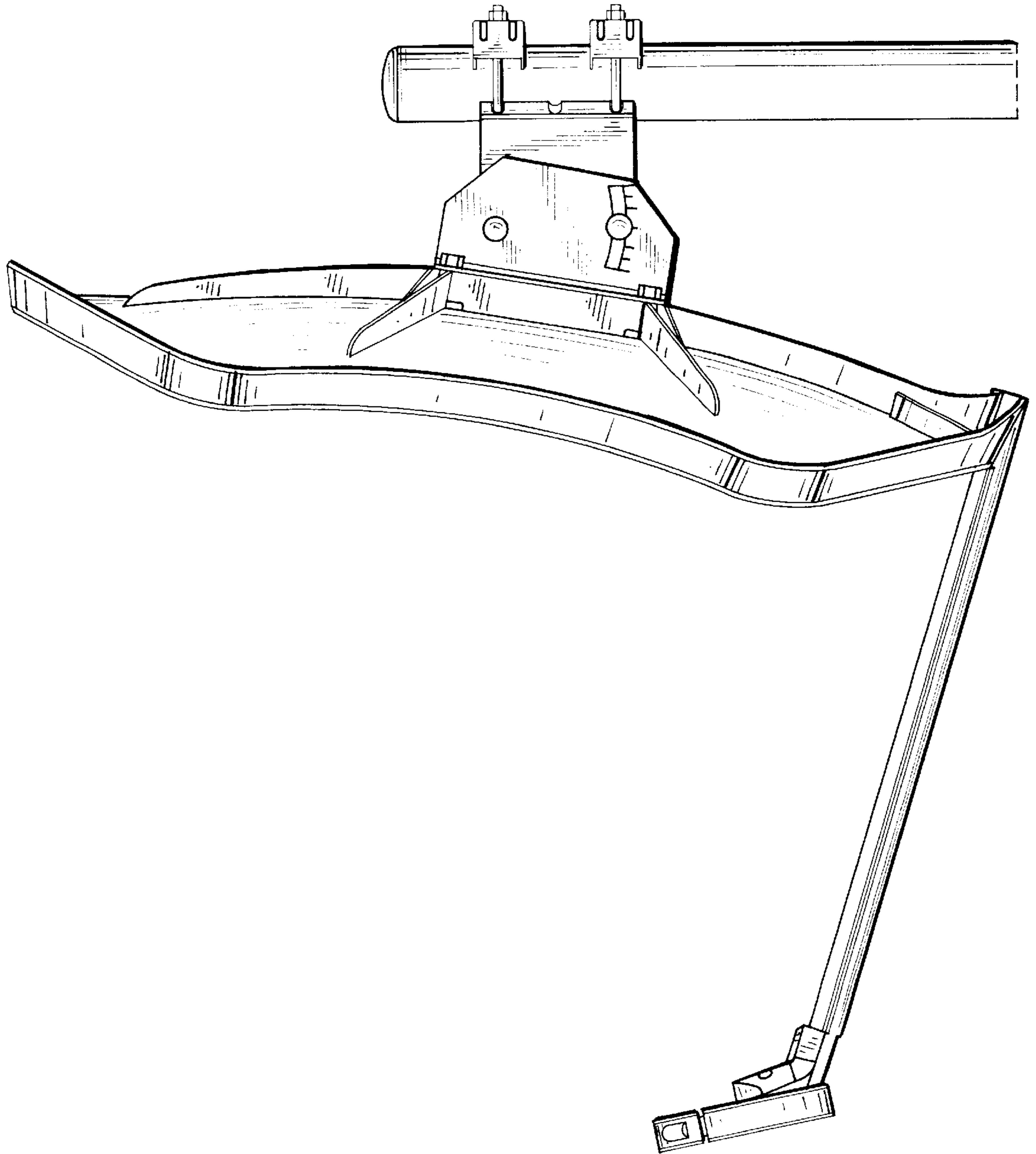


FIG. 5

FIG. 6



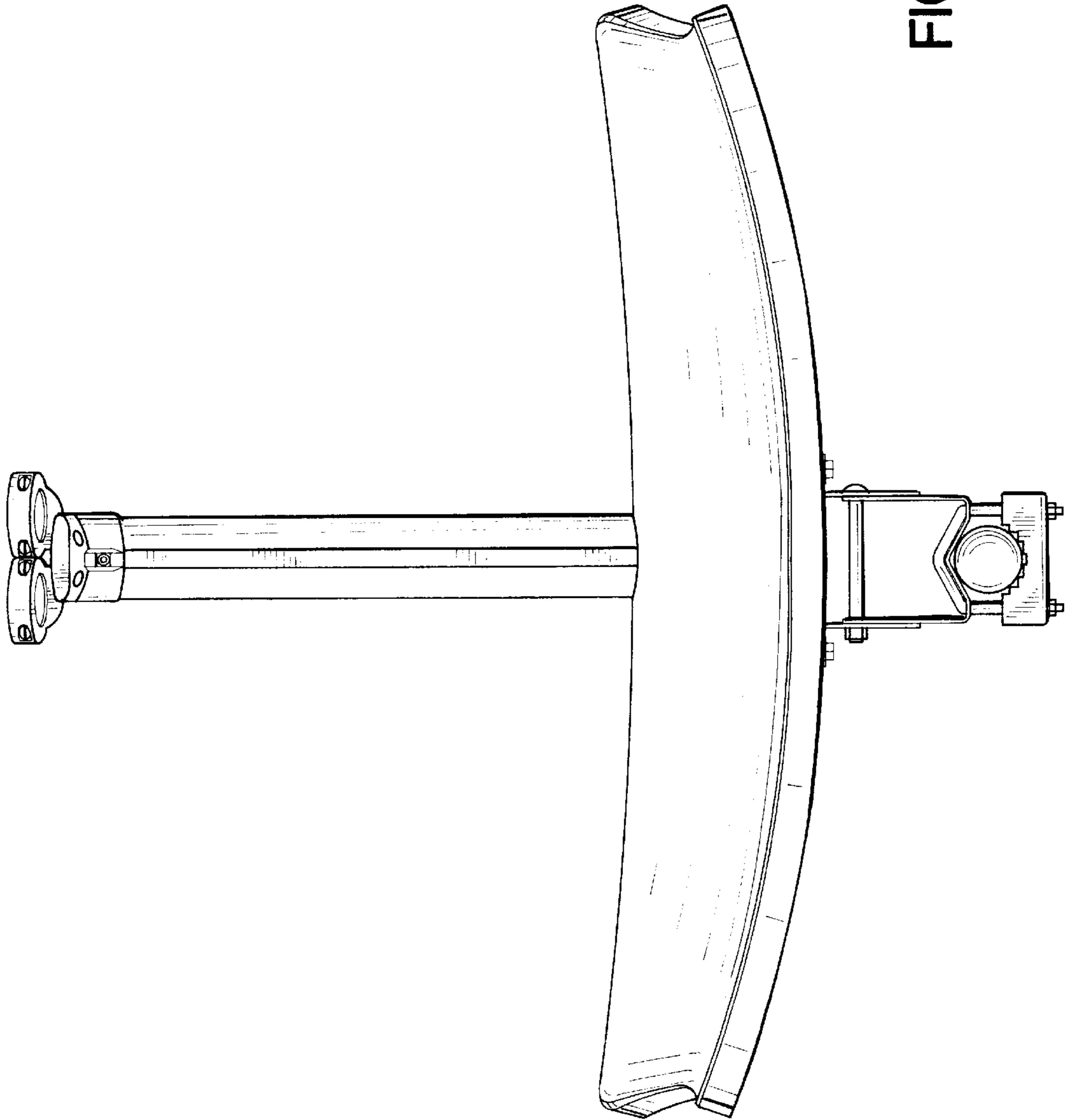


FIG. 7

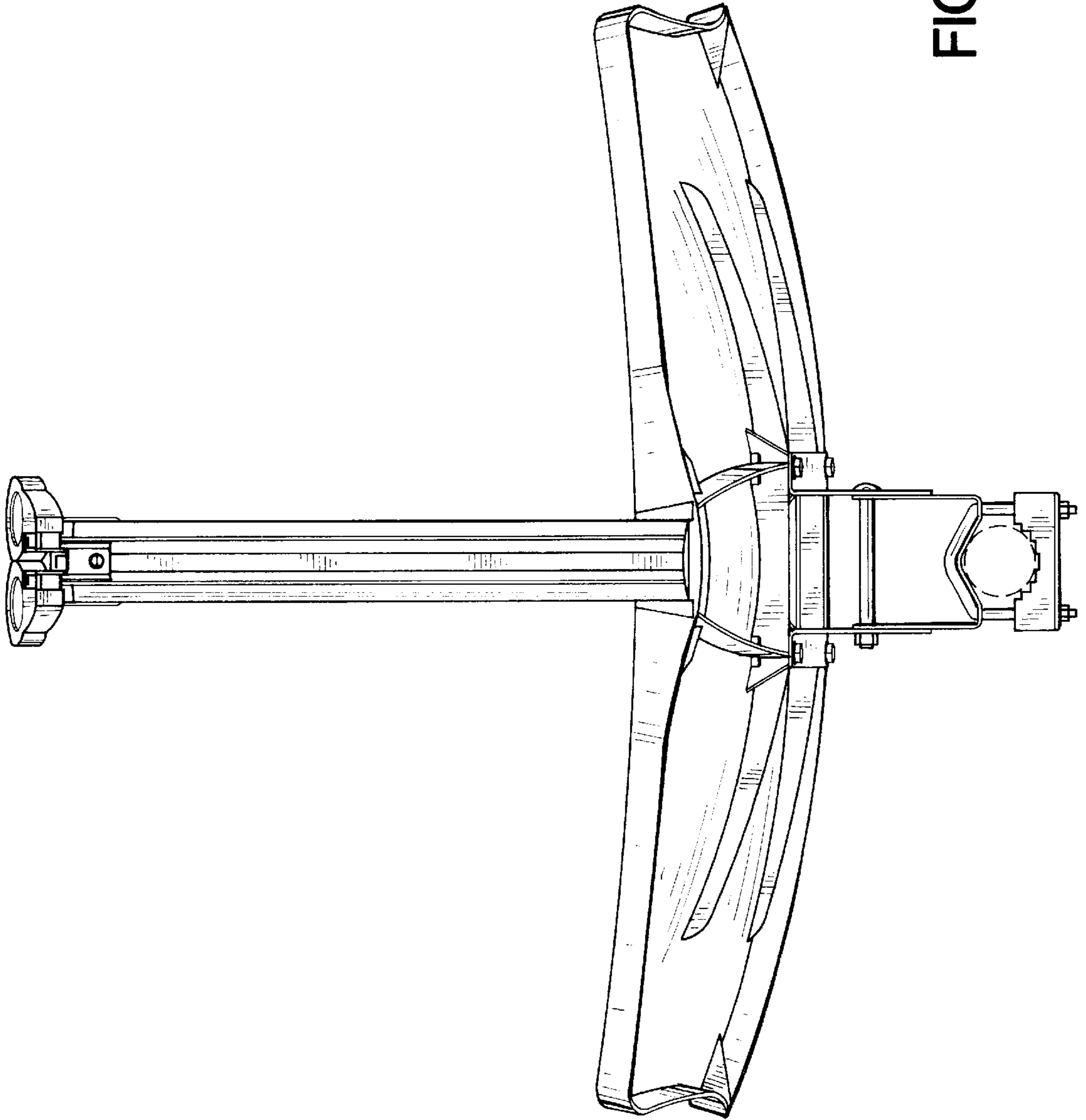


FIG. 8