



US00D421439S

# United States Patent [19] Giuntoli

[11] **Patent Number: Des. 421,439**  
[45] **Date of Patent: \*\* Mar. 7, 2000**

[54] **ANTENNA HOUSING**  
[75] Inventor: **Domenic S. Giuntoli**, Seattle, Wash.  
[73] Assignee: **Teledesic LLC**, Kirkland, Wash.  
[\*\*] Term: **14 Years**  
[21] Appl. No.: **29/082,346**  
[22] Filed: **Jan. 21, 1998**  
[51] **LOC (6) Cl.** ..... **14-03**  
[52] **U.S. Cl.** ..... **D14/230; D14/231**  
[58] **Field of Search** ..... **D14/230-238;**  
343/840, 872, 882, 873

3,961,416 10/1975 Lewis ..... 343/872  
4,804,972 2/1989 Schudel ..... 343/872

### FOREIGN PATENT DOCUMENTS

2245 195 3/1973 Germany ..... 343/873

*Primary Examiner*—Louis S. Zarfes  
*Assistant Examiner*—Gregory Andoll  
*Attorney, Agent, or Firm*—Christensen O'Connor Johnson & Kindness PLLC

### [57] CLAIM

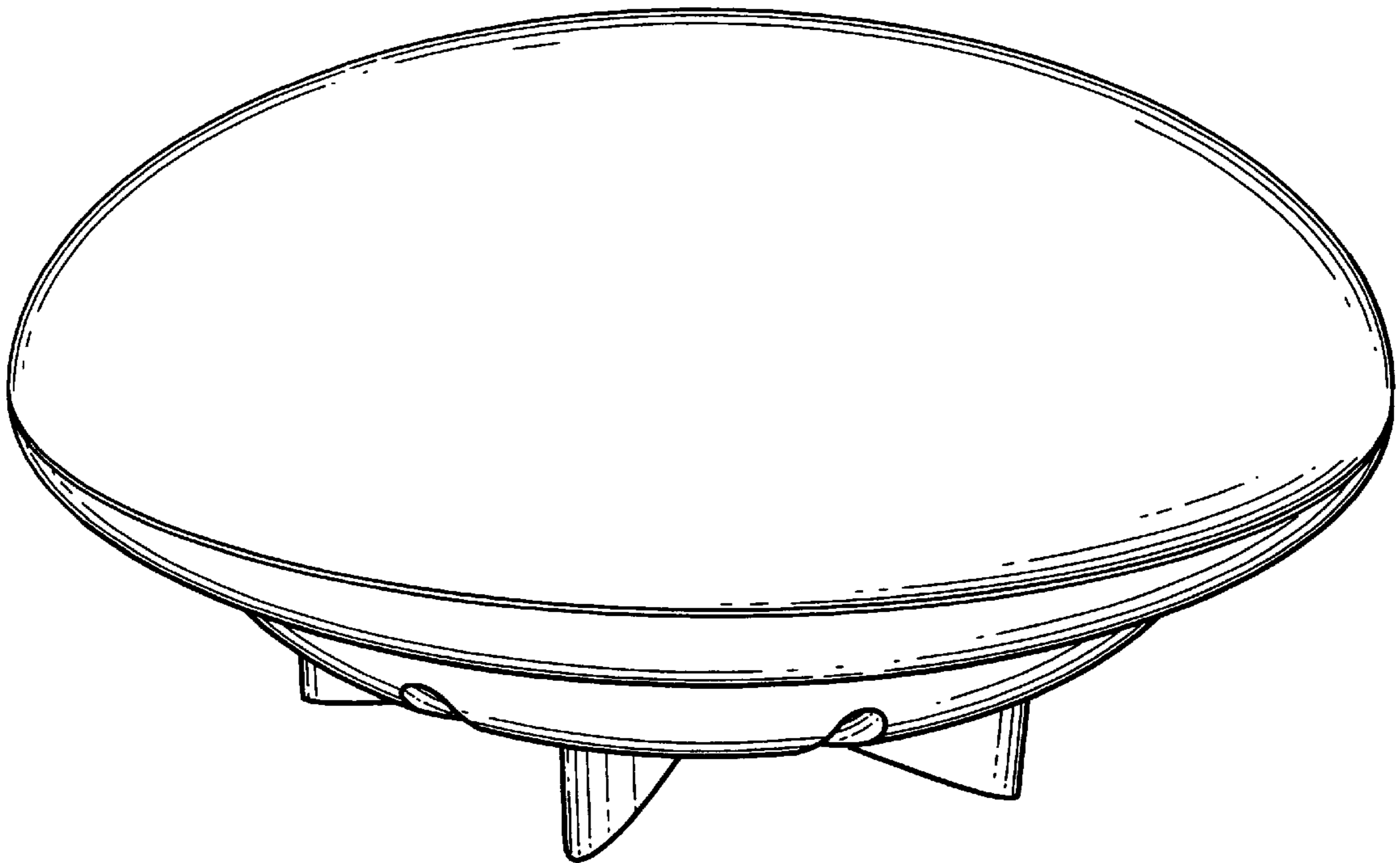
The ornamental design for an antenna housing, as shown and described.

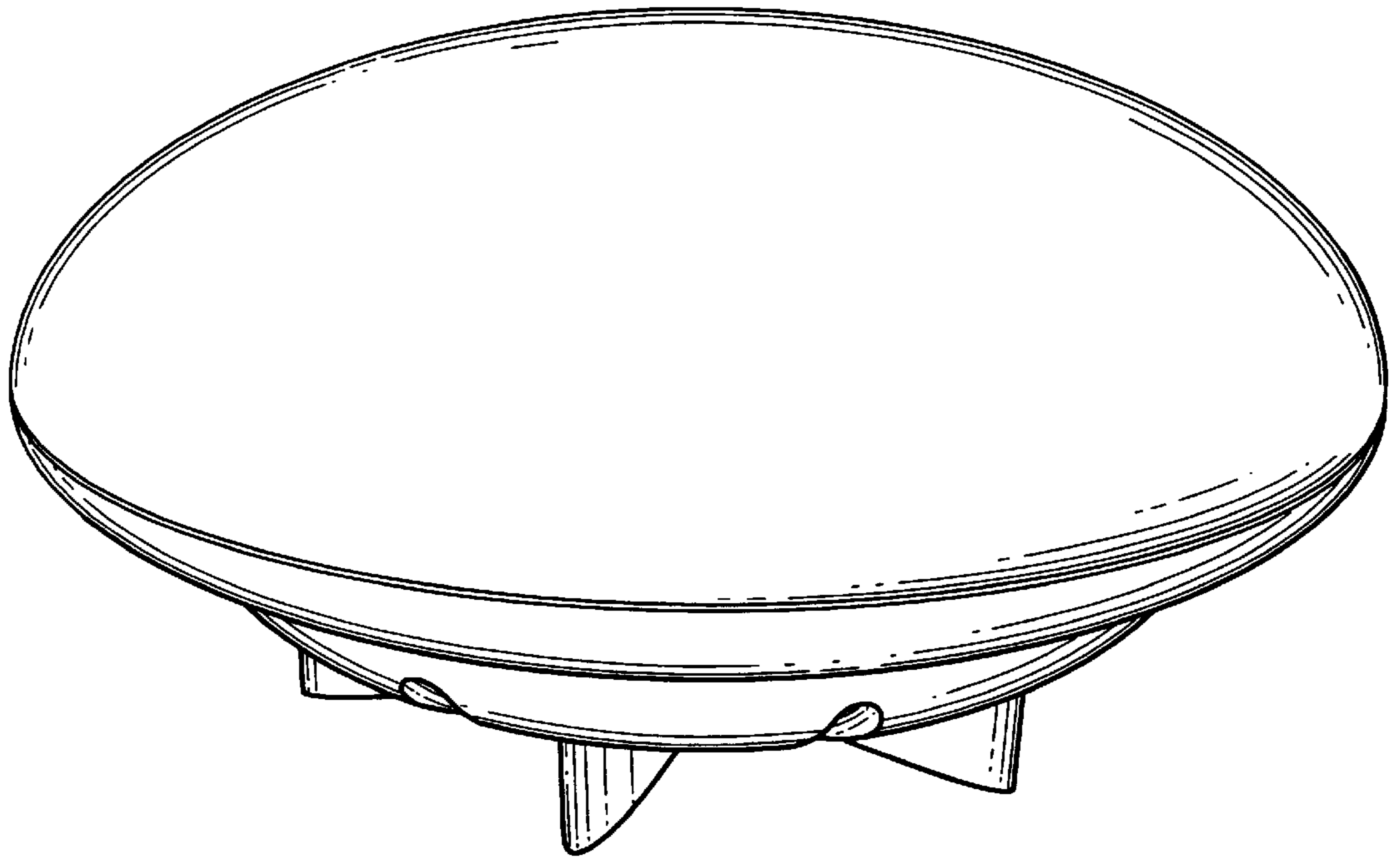
### DESCRIPTION

FIG. 1 is an isometric view of an antenna housing showing my new design;  
FIG. 2 is a side elevational view thereof, the other side elevational view being a mirror image thereof;  
FIG. 3 is a top plan view thereof; and,  
FIG. 4 is a bottom plan view thereof.

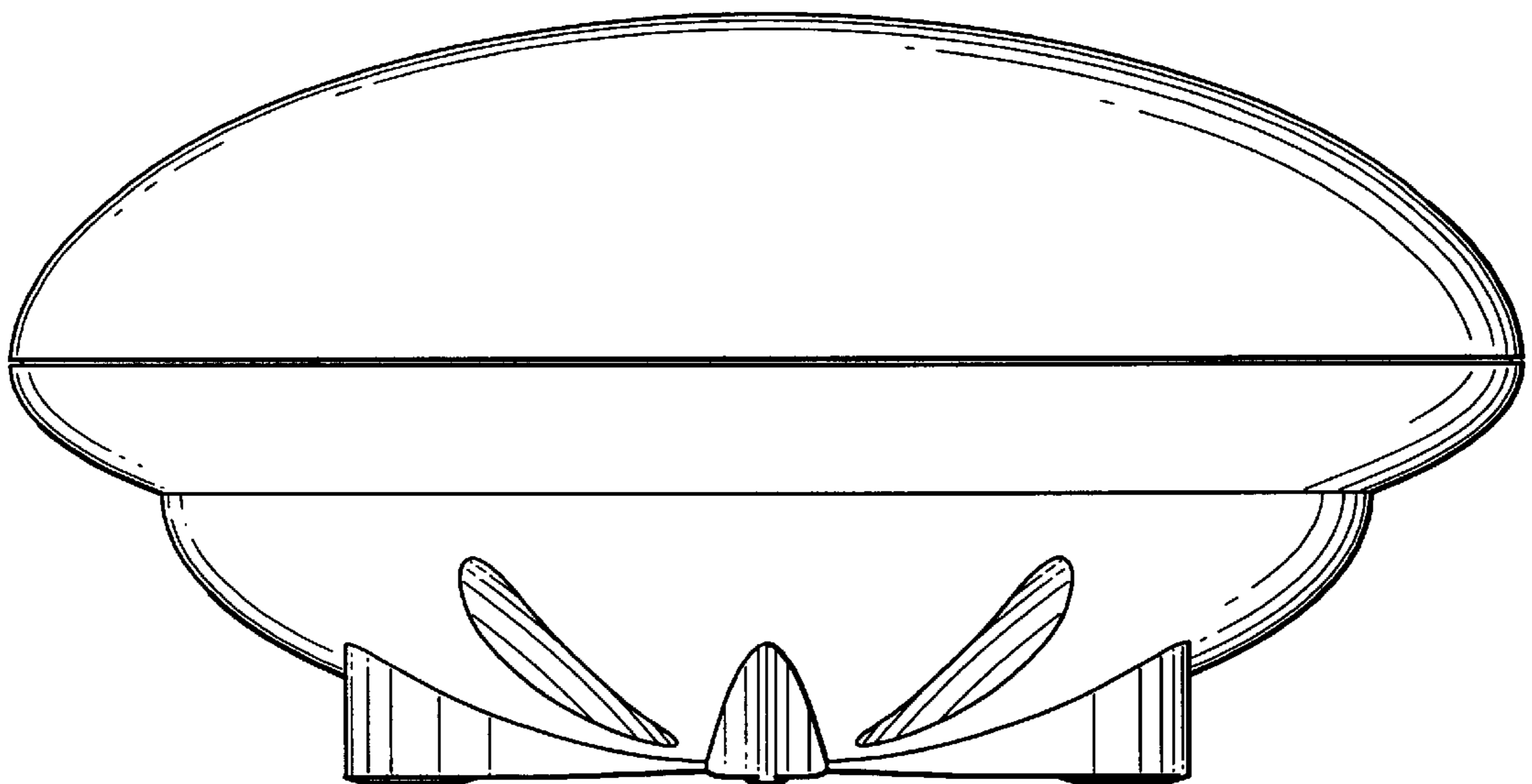
**1 Claim, 3 Drawing Sheets**

[56] **References Cited**  
U.S. PATENT DOCUMENTS  
D. 327,690 7/1992 Ogawa et al. .... D14/230  
D. 338,206 8/1993 Sawaguchi et al. .... D14/230  
D. 363,935 11/1995 McGreevy ..... D14/230  
D. 387,771 12/1997 Martinson et al. .... D14/230  
D. 401,594 11/1998 Nishimura et al. .... D14/230

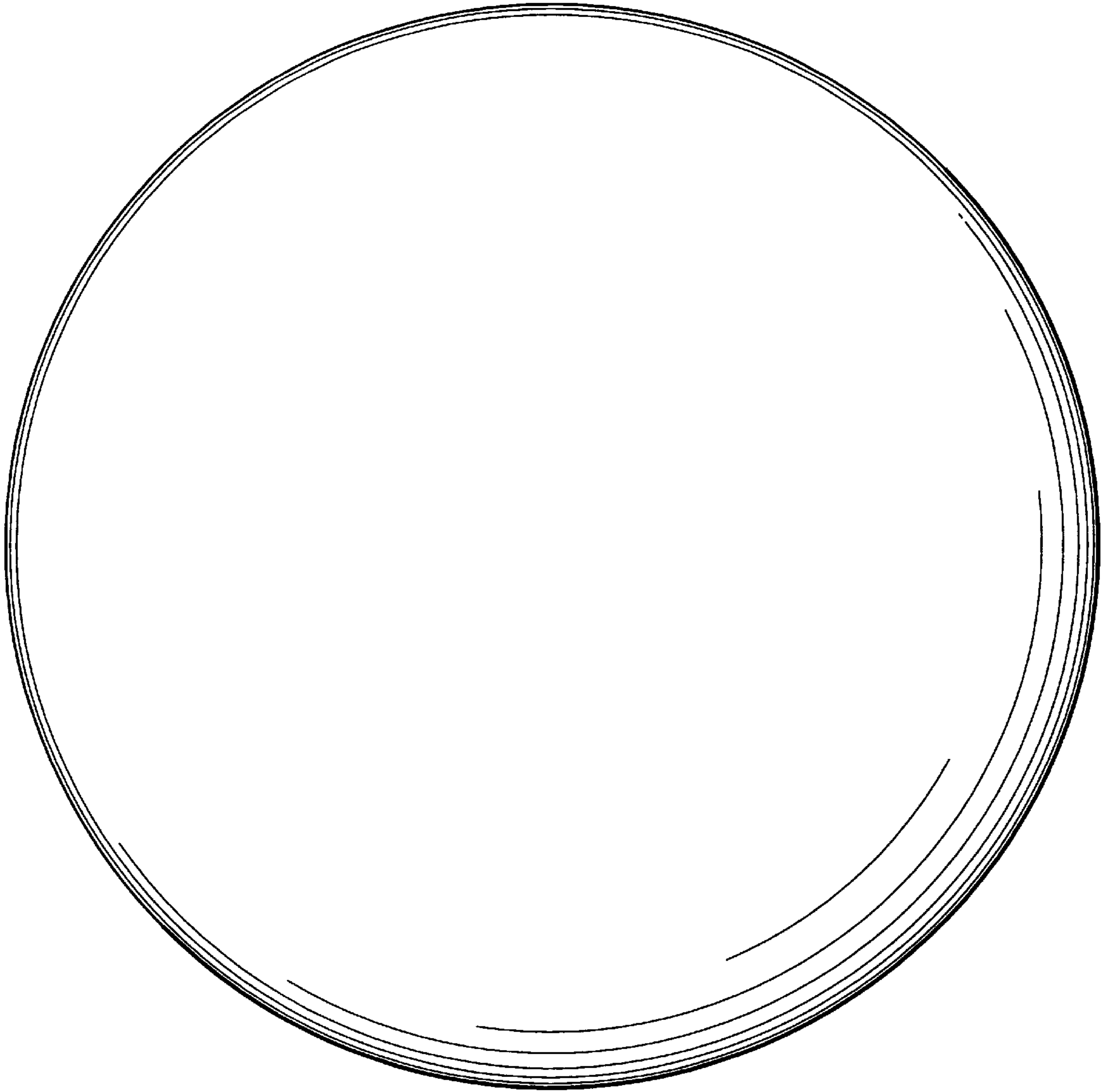




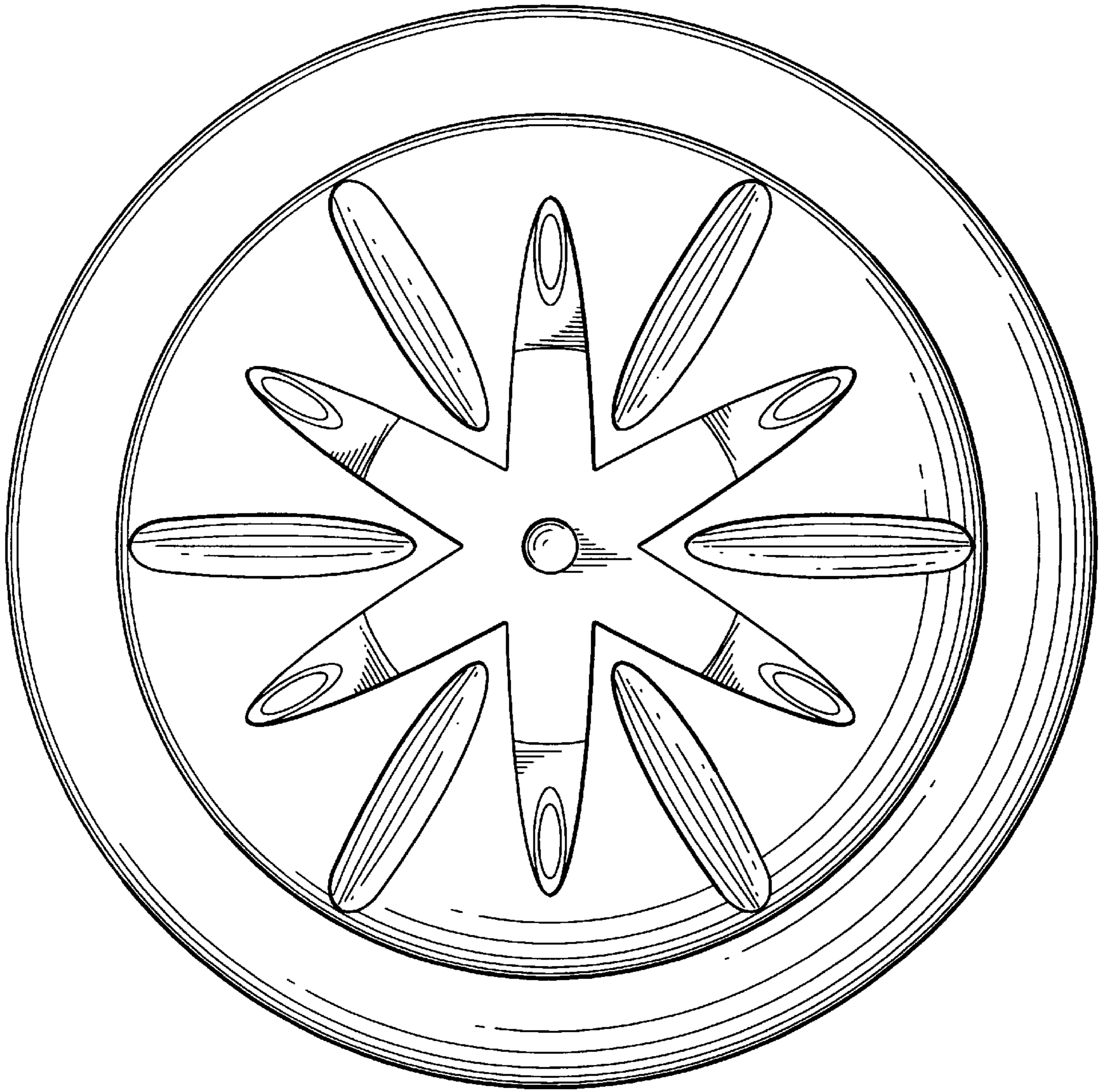
*Fig. 1*



*Fig. 2*



*Fig. 3*



*Fig. 4*