



US00D421437S

United States Patent [19] Myers

[11] **Patent Number: Des. 421,437**

[45] **Date of Patent: ** Mar. 7, 2000**

[54] **AUDIO AMPLIFIER HAVING LIGHTED PANELS AND REMOTE LCD/LED GRAPHICAL DISPLAY**

D. 360,138 7/1995 DeLarosa D14/198 X
D. 386,178 11/1997 Drederick et al. D14/188

[76] Inventor: **Elyas Myers**, 4480 Pacific Blvd.,
Vernon, Calif. 90058

Primary Examiner—Nanda Bondade
Attorney, Agent, or Firm—Beehler & Pavitt; William H. Pavitt; David A. Belasco

[**] Term: **14 Years**

[57] CLAIM

[21] Appl. No.: **29/103,806**

The ornamental design for an audio amplifier having lighted panels and remote LCD/LED graphical display, as shown and described.

[22] Filed: **Apr. 22, 1999**

DESCRIPTION

[51] **LOC (6) Cl.** **14-03**

[52] **U.S. Cl.** **D14/188**

[58] **Field of Search** D13/179, 184;
D14/124, 168, 188, 189, 197-198, 217,
218, 265, 299; 455/344, 345, 347, 350,
351

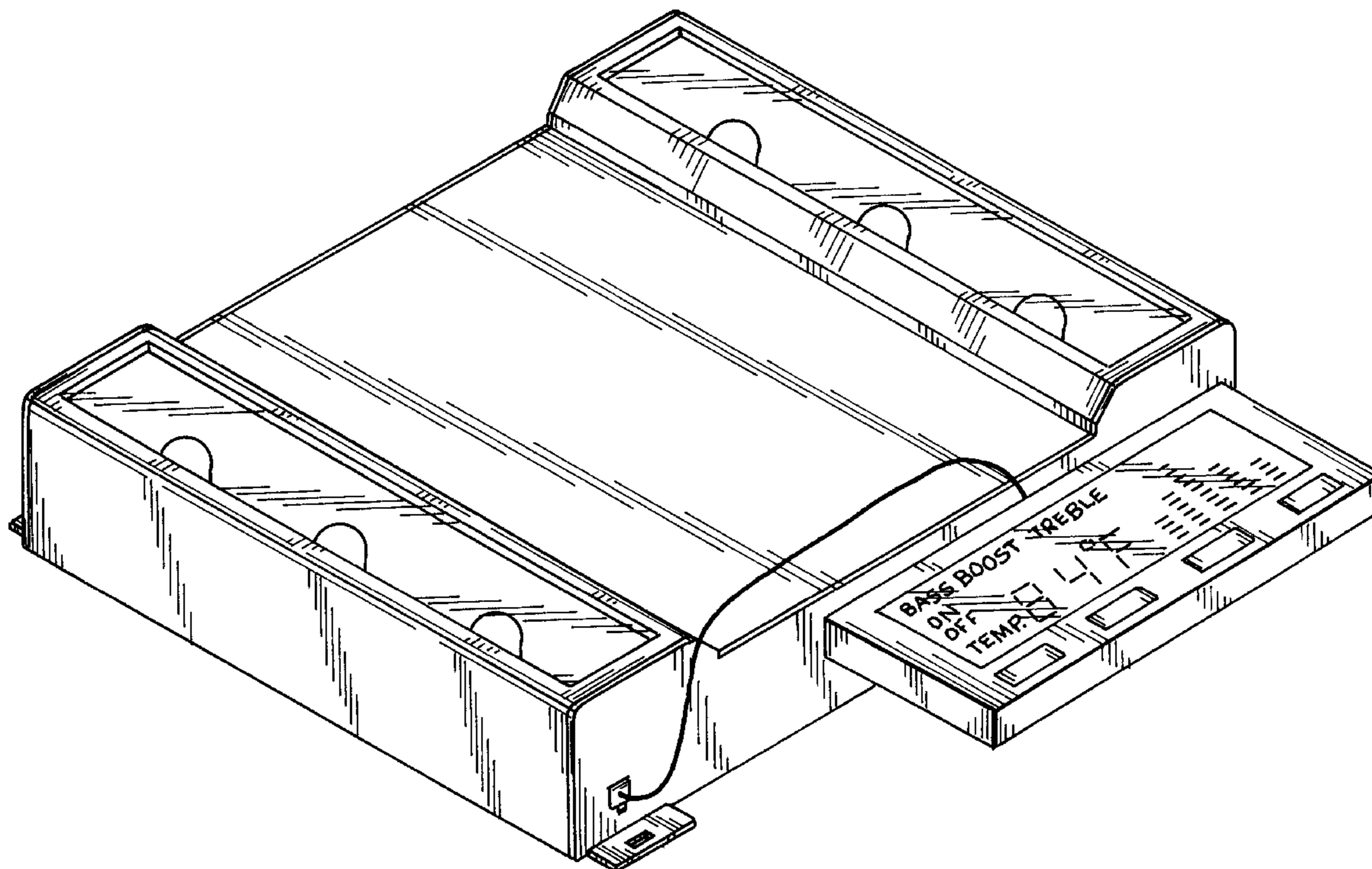
FIG. 1 is a perspective view of an audio amplifier having lighted panels and remote LCD/LED graphical display showing my new design;
FIG. 2 is a top plan view;
FIG. 3 is a front elevation view;
FIG. 4 is a side elevation looking from left of FIG. 1;
FIG. 5 is a side elevation looking from right of FIG. 1;
FIG. 6 is a bottom plan view; and,
FIG. 7 is a rear elevation view.

[56] References Cited

U.S. PATENT DOCUMENTS

D. 185,741 7/1959 De Jager D14/218
D. 343,838 2/1994 Frank et al. D14/198

1 Claim, 4 Drawing Sheets



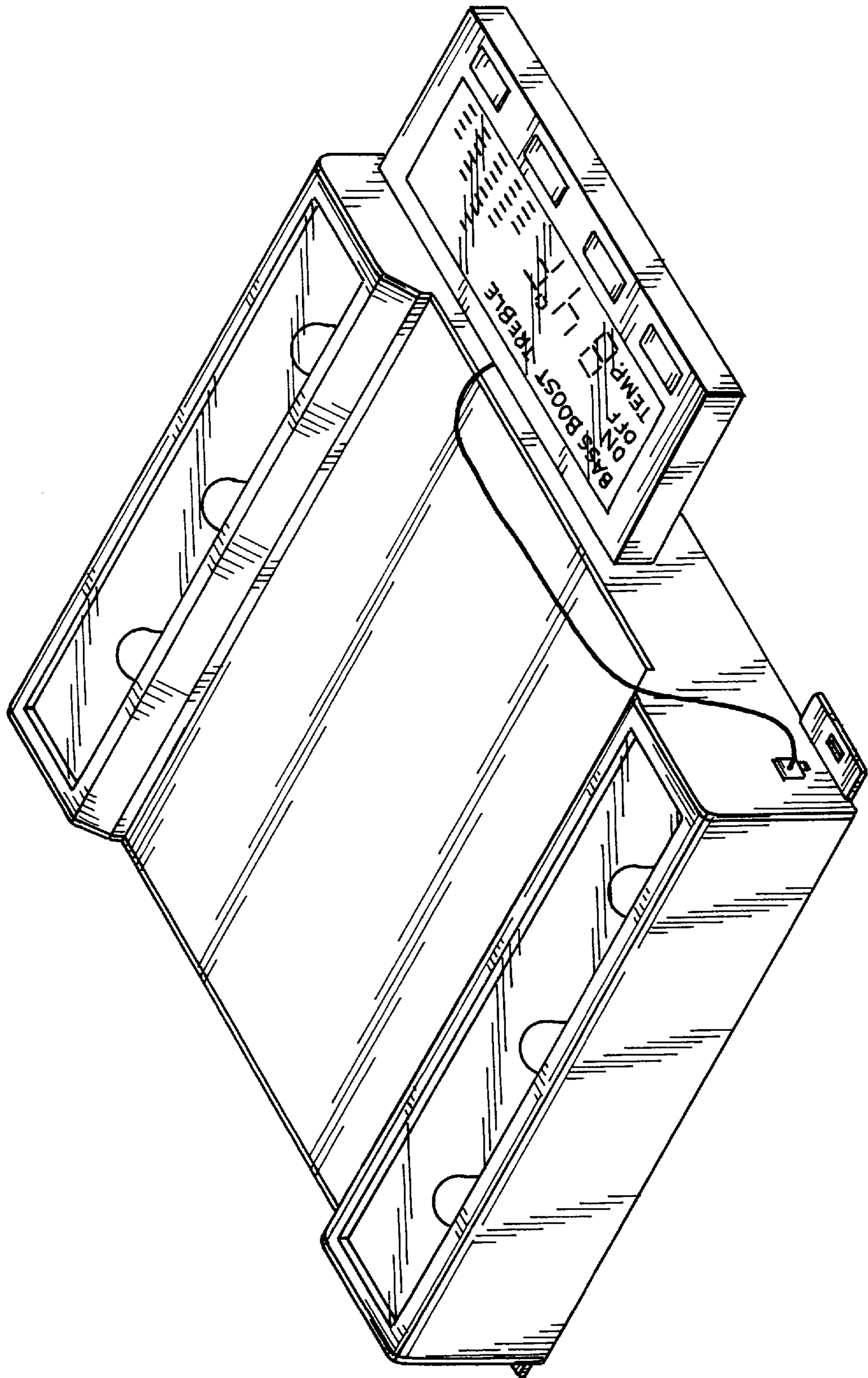


Fig. 1

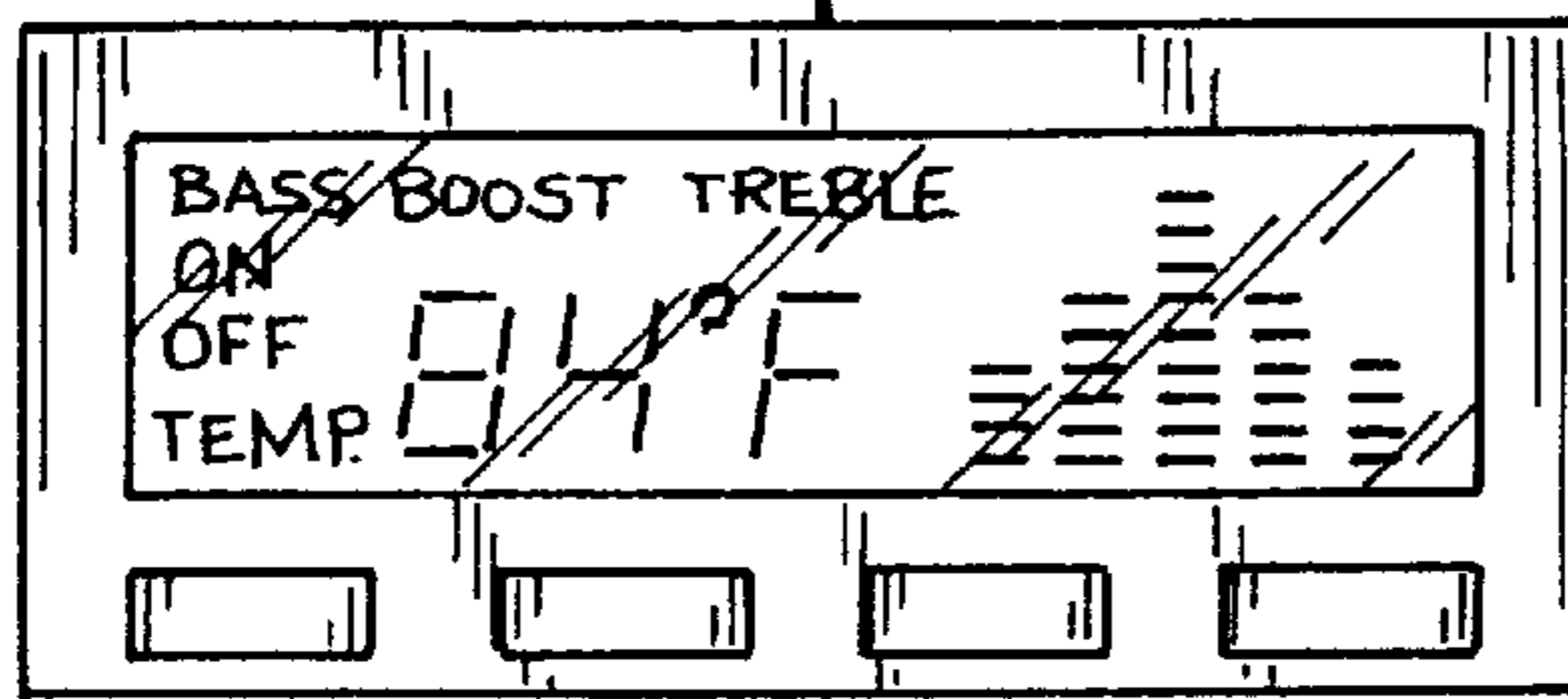
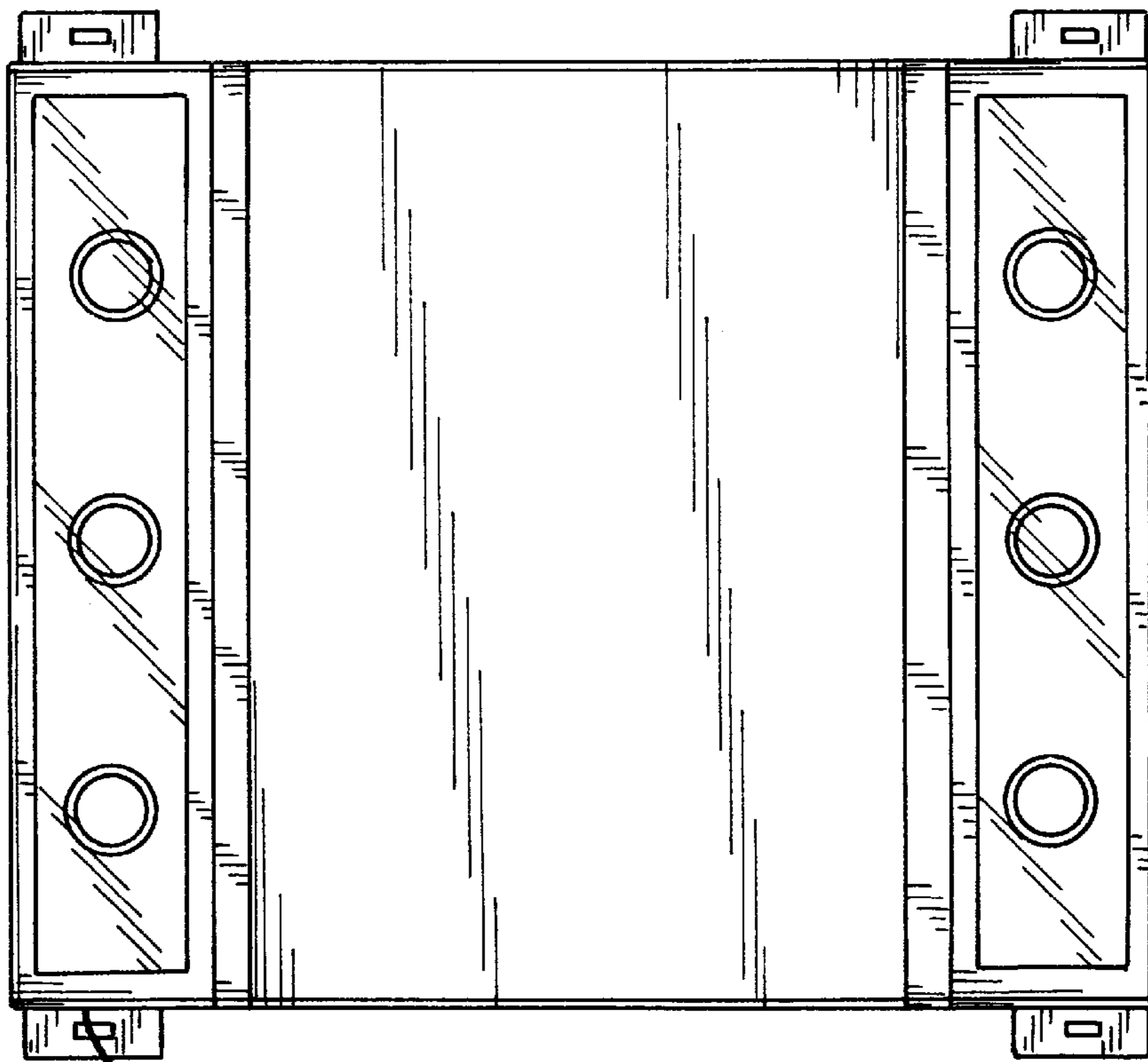


Fig. 2

Fig. 3

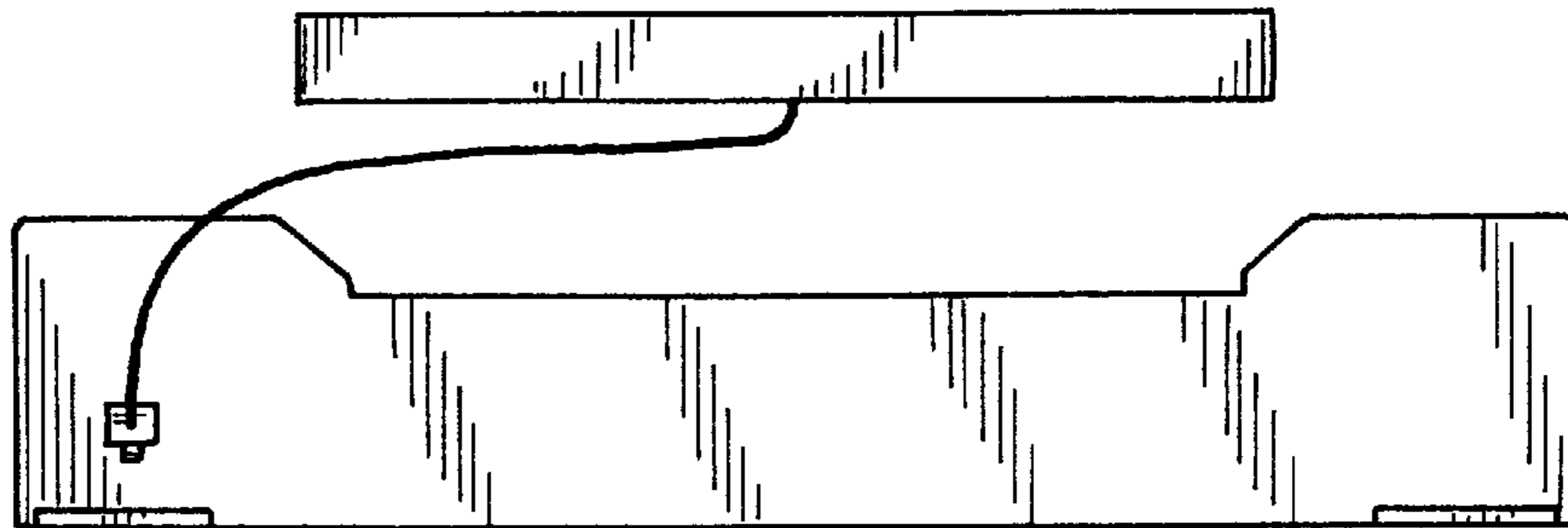


Fig. 4

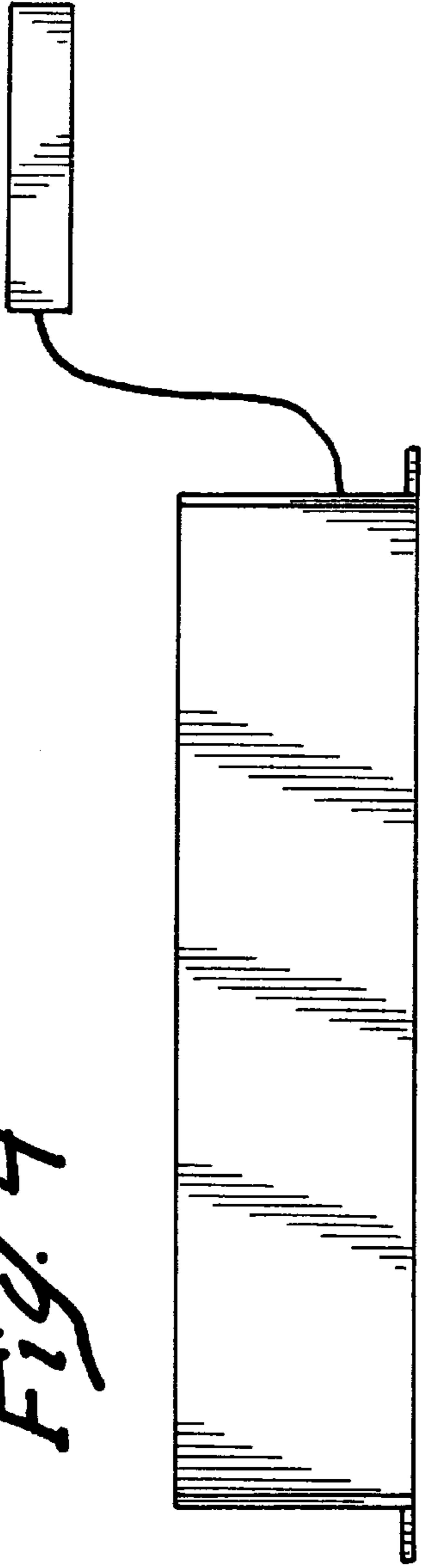


Fig. 5

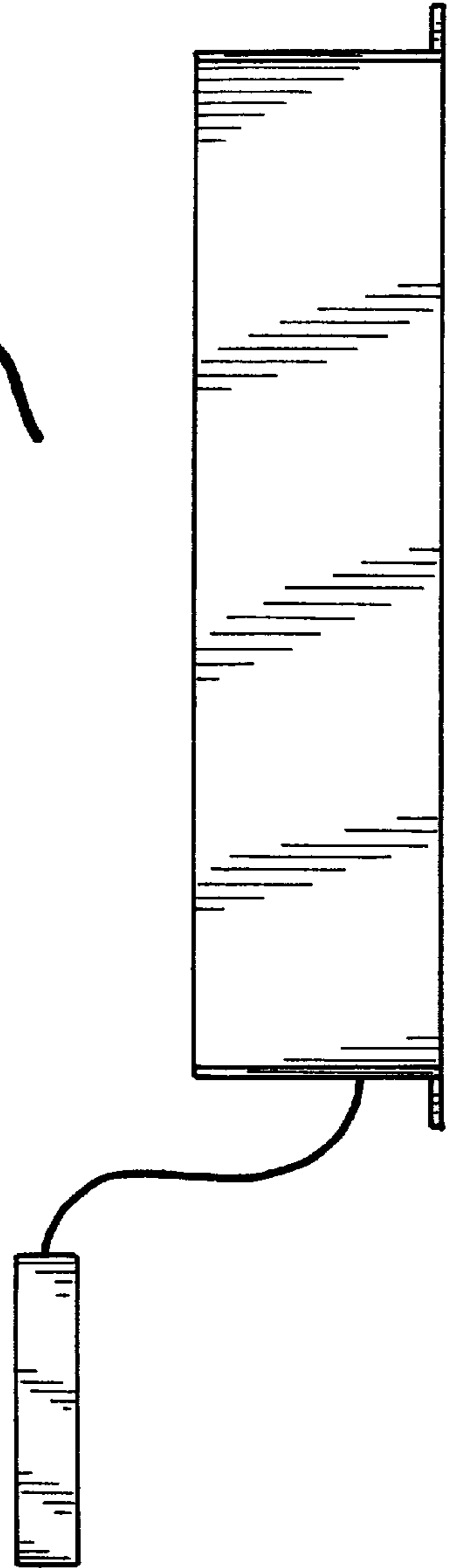


Fig. 6

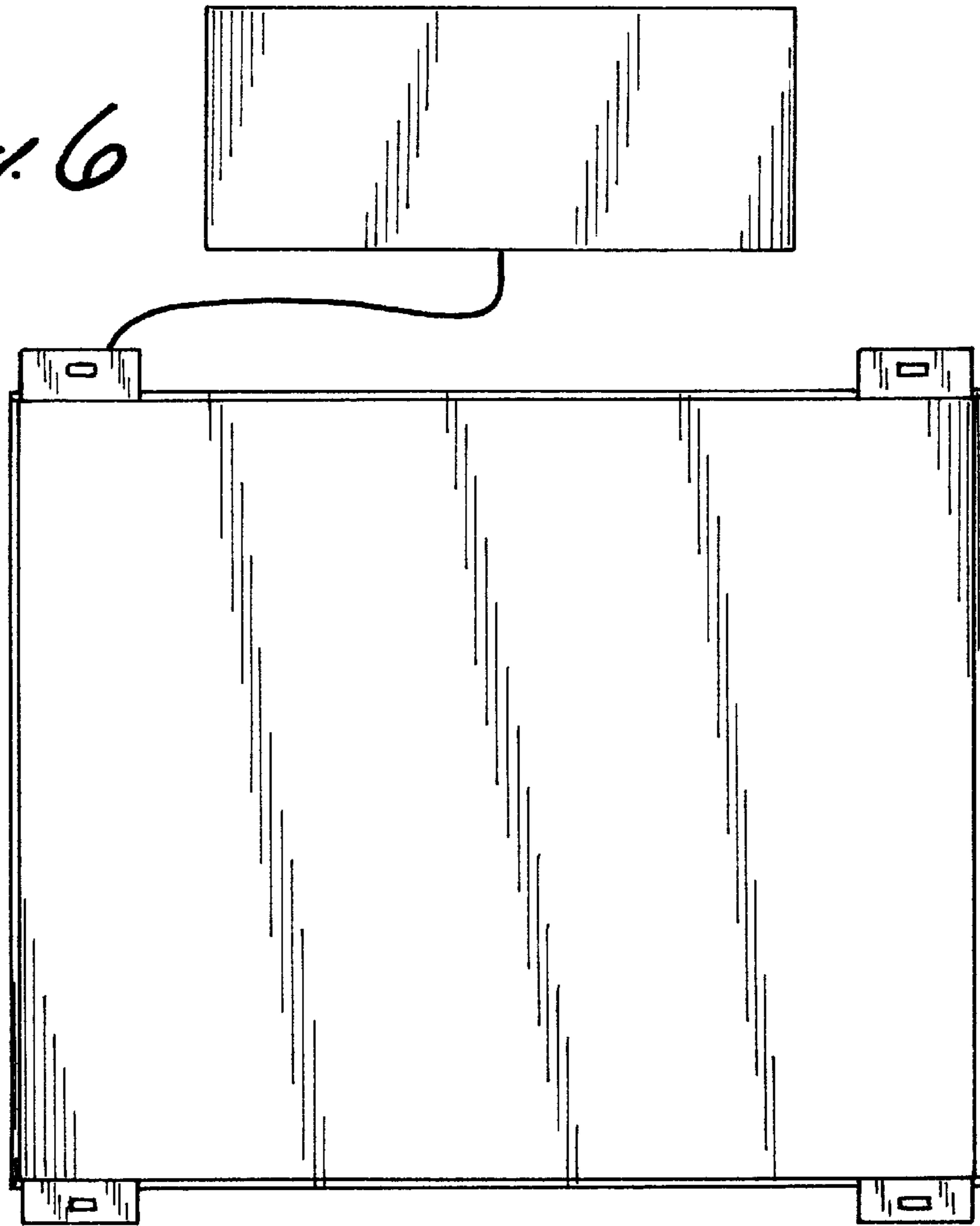


Fig. 7

