



US00D421428S

United States Patent [19] Wu

[11] **Patent Number: Des. 421,428**
[45] **Date of Patent: ** Mar. 7, 2000**

[54] **STACKABLE DRIVE TRAY SUPPORT BRACKET**

4,941,841 7/1990 Darden et al. .
4,964,017 10/1990 Jindrick et al. .
5,211,459 5/1993 Wu .

[75] Inventor: **Jeff Wu**, Mission Viejo, Calif.

[73] Assignee: **Commercial & Industrial Design Co., Inc.**

[**] Term: **14 Years**

[21] Appl. No.: **29/095,538**

[22] Filed: **Oct. 26, 1998**

[51] **LOC (6) Cl.** **14-02**

[52] **U.S. Cl.** **D14/114**

[58] **Field of Search** D14/114, 107,
D14/109, 100; D13/162, 184, 199; 361/680-5,
728, 730, 732, 736, 740; 439/296, 304,
374, 376-7

[56] **References Cited**

U.S. PATENT DOCUMENTS

D. 304,323	10/1989	Cranston, III et al. .	
D. 308,052	5/1990	Darden et al.	D14/109
D. 330,198	10/1992	Lajara et al. .	
D. 331,396	12/1992	Benck et al.	D14/114
D. 336,289	6/1993	Hill .	
D. 348,050	6/1994	Dolkowski et al. .	
D. 365,339	12/1995	Smith	D14/114
D. 372,021	7/1996	Idleman et al. .	
D. 377,482	1/1997	Geck .	
D. 383,736	9/1997	Corrington et al. .	
D. 386,478	11/1997	Alfonso et al. .	
D. 397,097	8/1998	McNally	D14/114
D. 399,498	10/1998	Chang	D14/109
D. 401,229	11/1998	Roehrs et al.	D14/109
D. 404,383	1/1999	Chang	D14/114
D. 407,079	3/1999	Wu	D14/114
D. 409,171	5/1999	Wu	D14/114
D. 410,451	6/1999	Konshak et al.	D14/114
4,717,982	1/1988	Toreson et al. .	
4,754,397	6/1988	Varaiya et al. .	

FOREIGN PATENT DOCUMENTS

1274311 5/1972 United Kingdom .

Primary Examiner—M. H. Tung
Attorney, Agent, or Firm—Knobbe, Martens, Olson & Bear, LLP

[57] **CLAIM**

The ornamental design for a stackable drive tray support bracket, as shown and described.

DESCRIPTION

FIG. 1 is a perspective view of a stackable drive tray support bracket having features in accordance with the present invention, the removable drive tray being shown in phantom for illustrative purposes only;

FIG. 2 is a front elevational view of the stackable drive tray support bracket of FIG. 1;

FIG. 3 is a top plan view of the stackable drive tray support bracket of FIG. 1;

FIG. 4 is a bottom plan view of the stackable drive tray support bracket of FIG. 1;

FIG. 5 is a right side elevational view of the stackable drive tray support bracket of FIG. 1;

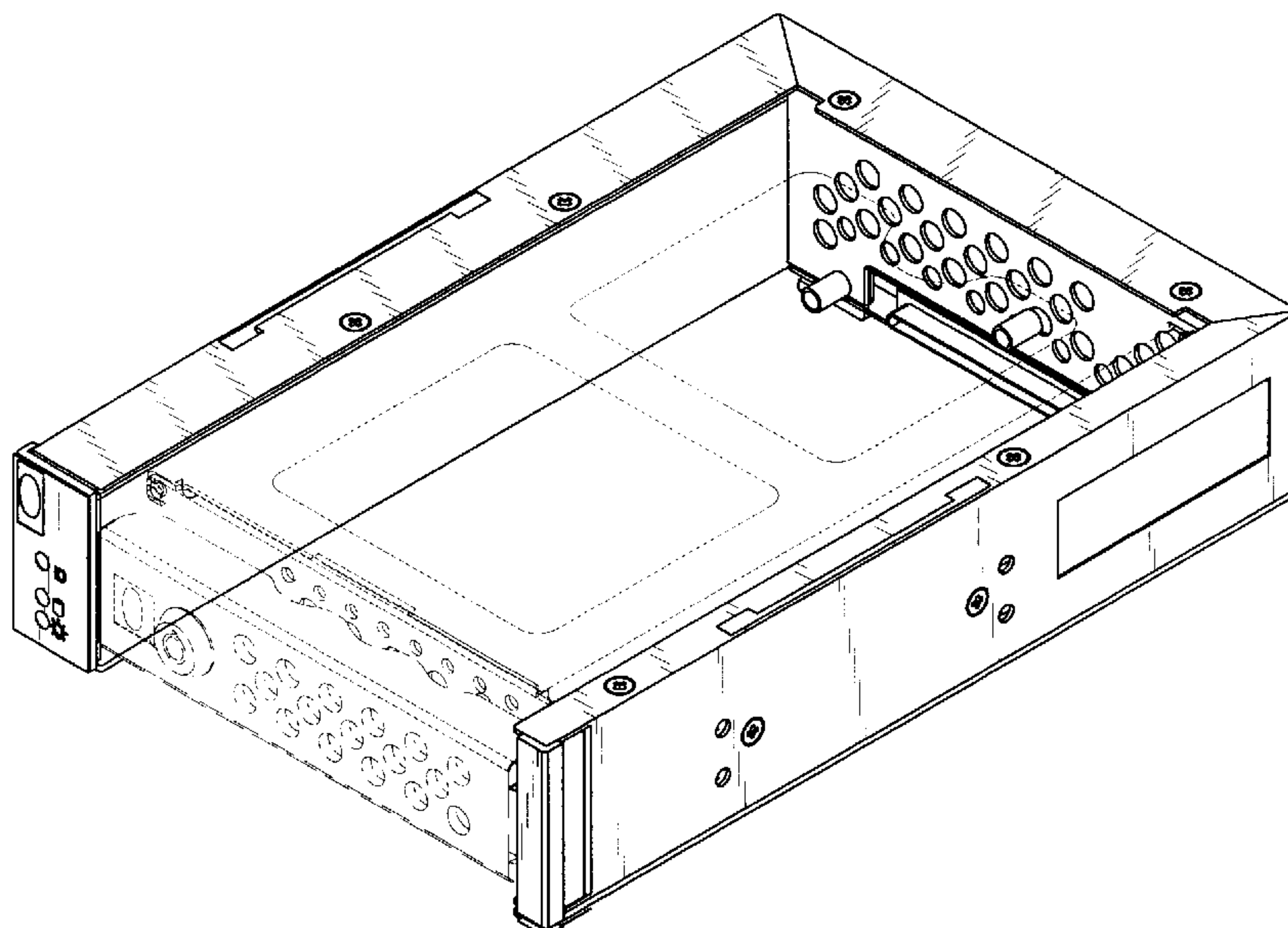
FIG. 6 is a left side elevational view of the stackable drive tray support bracket of FIG. 1;

FIG. 7 is a rear elevational view of the stackable drive tray support bracket of FIG. 1; and,

FIG. 8 is a perspective view of a second embodiment thereof, the drive tray is shown stacked, the broken line drawing of removable drive trays is for illustrative purposes only and forms no part of the claimed design.

The broken line drawing of a removable drive tray in FIGS. 2, 3, 4, and 7 is for illustrative purposes only and forms no part of the claimed design.

1 Claim, 3 Drawing Sheets



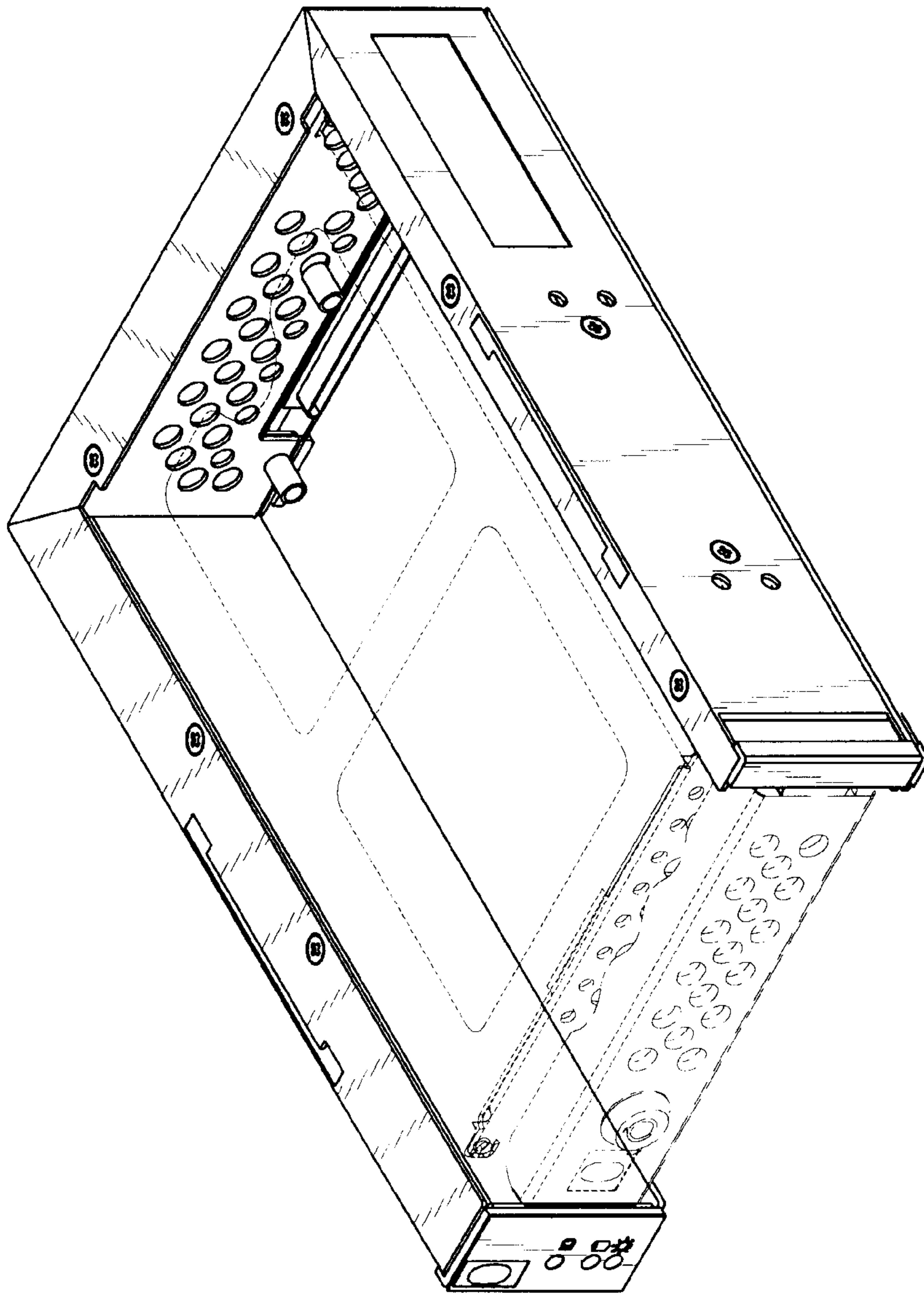


FIG. 1

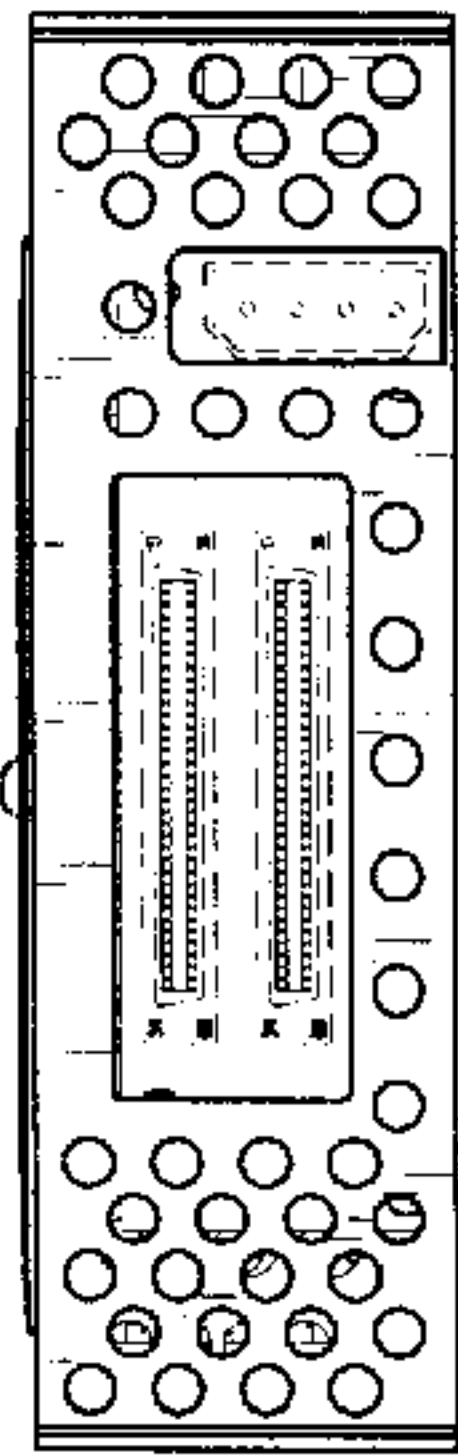


FIG. 7

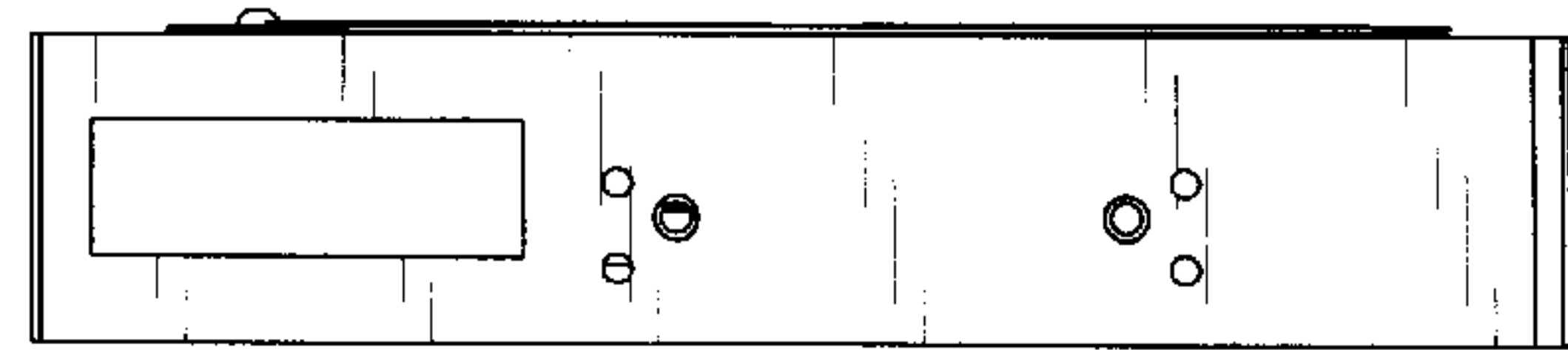


FIG. 6

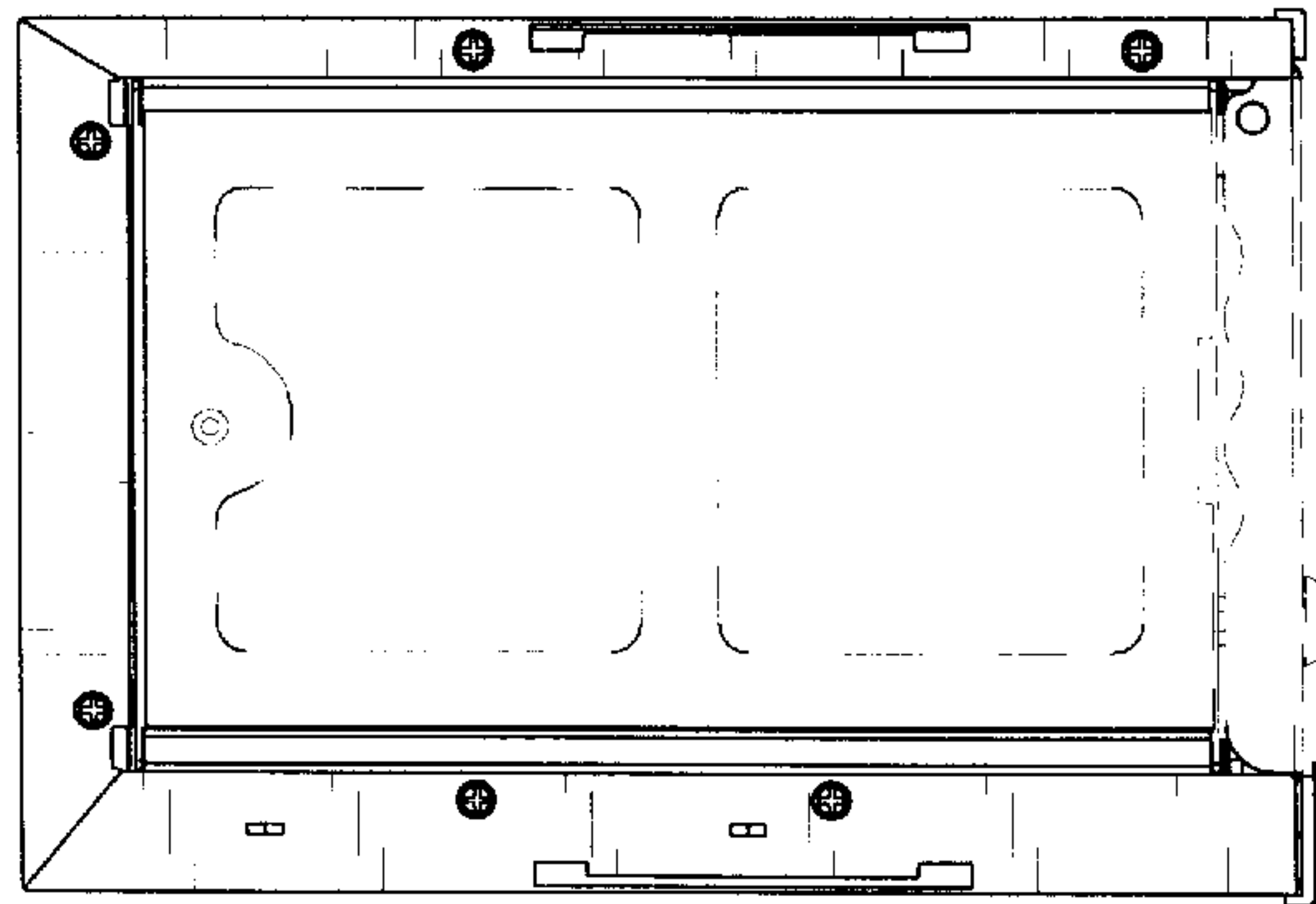


FIG. 3

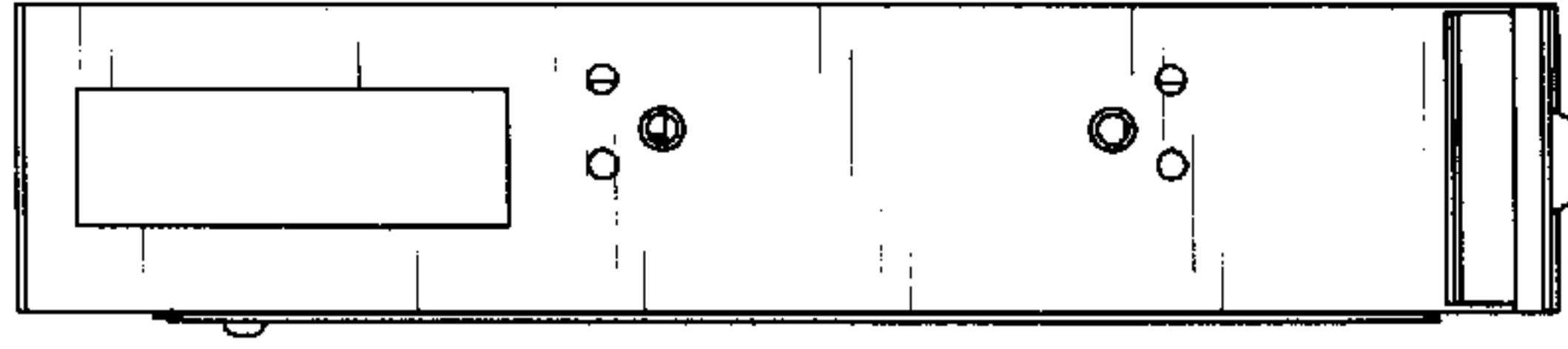


FIG. 5

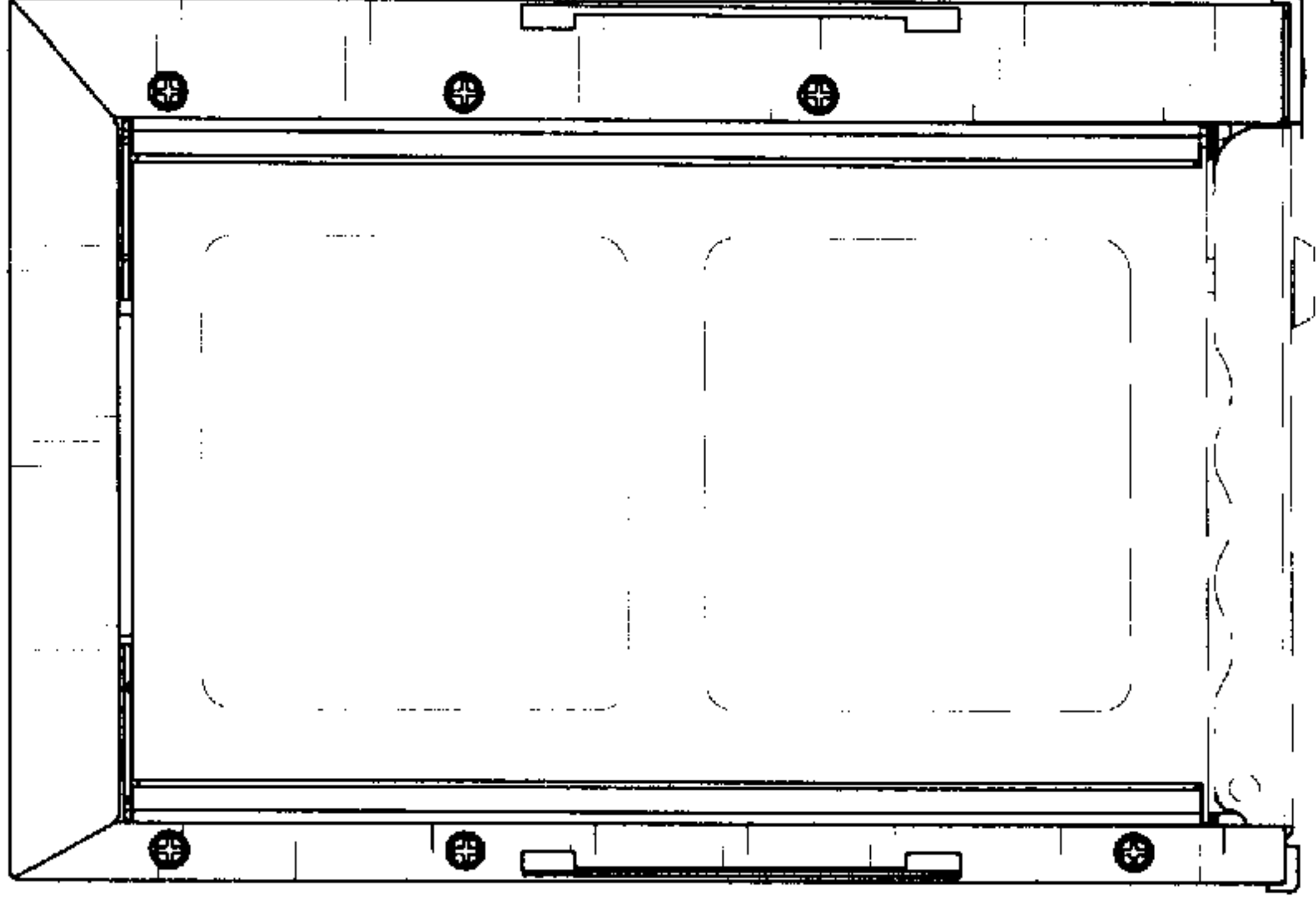


FIG. 4

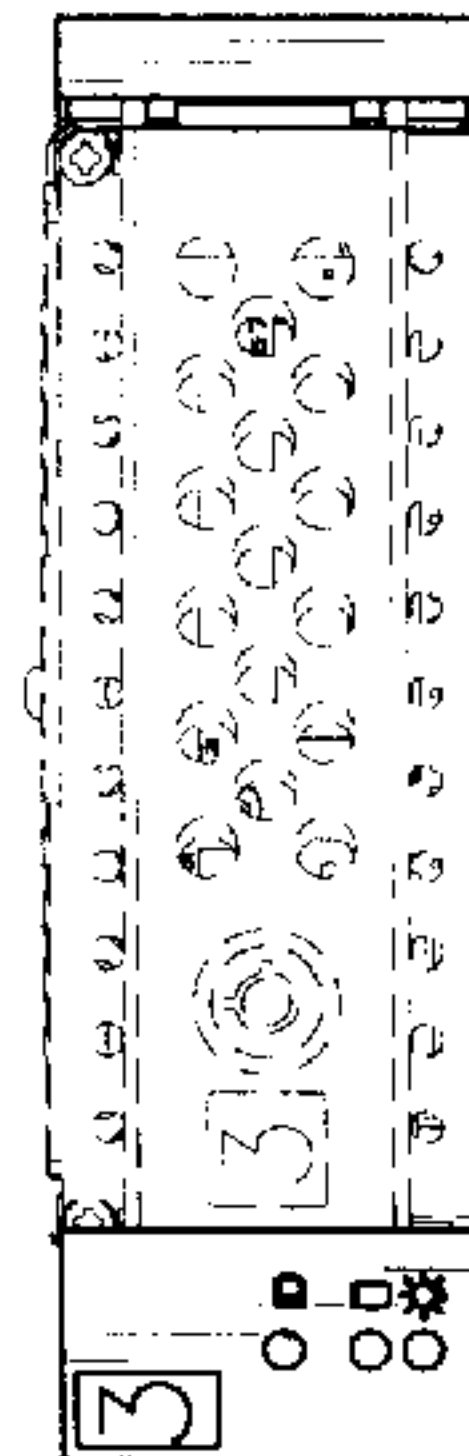


FIG. 2

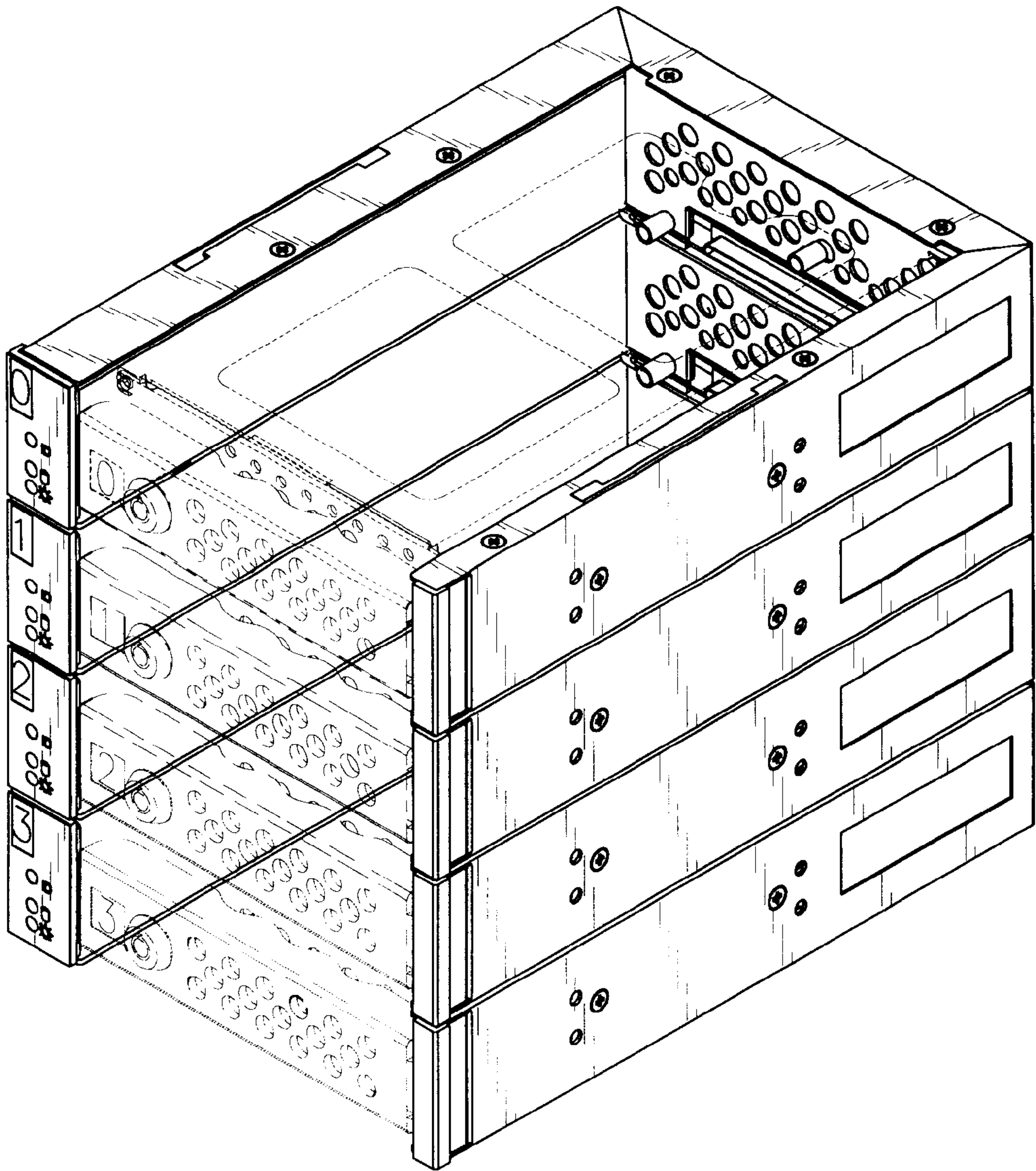


FIG. 8