



US00D421424S

# United States Patent [19]

Lee et al.

[11] **Patent Number: Des. 421,424**

[45] **Date of Patent: \*\* \*Mar. 7, 2000**

[54] **DOCKING STATION**

[75] Inventors: **Chia-Chun Lee; Ming-Hsun Chou; Jui-Jung Huang; Chih-Wen Chiang,**  
all of Taipei, Taiwan

[73] Assignee: **Compal Electronics, Inc.,** Taipei, Taiwan

[\*] Notice: This patent is subject to a terminal disclaimer.

[\*\*] Term: **14 Years**

[21] Appl. No.: **29/095,439**

[22] Filed: **Oct. 23, 1998**

[51] **LOC (6) Cl.** ..... **14-02**

[52] **U.S. Cl.** ..... **D14/107**

[58] **Field of Search** ..... D14/100, 107,  
D14/118; D18/36, 37, 39; D16/208, 214,  
223, 232, 202; 250/556; 235/454, 470,  
476, 482; 355/64, 65, 75, 81

[56] **References Cited**

**U.S. PATENT DOCUMENTS**

D. 359,034 6/1995 Kondo ..... D14/107

D. 369,789 5/1996 Lucente, II et al. .... D14/107  
D. 371,769 7/1996 Shima et al. .... D14/107  
D. 391,928 3/1998 Kondo et al. .... D14/107  
D. 391,931 3/1998 Iino ..... D14/107  
D. 396,454 7/1998 Shima et al. .... D14/114

*Primary Examiner*—Freda Nunn  
*Attorney, Agent, or Firm*—Pillsbury Madison & Sutro LLP

[57] **CLAIM**

The ornamental design for a docking station, as shown and described.

**DESCRIPTION**

FIG. 1 is a perspective view of a docking station showing my new design;

FIG. 2 is a front elevational view thereof;

FIG. 3 is a rear elevational view thereof;

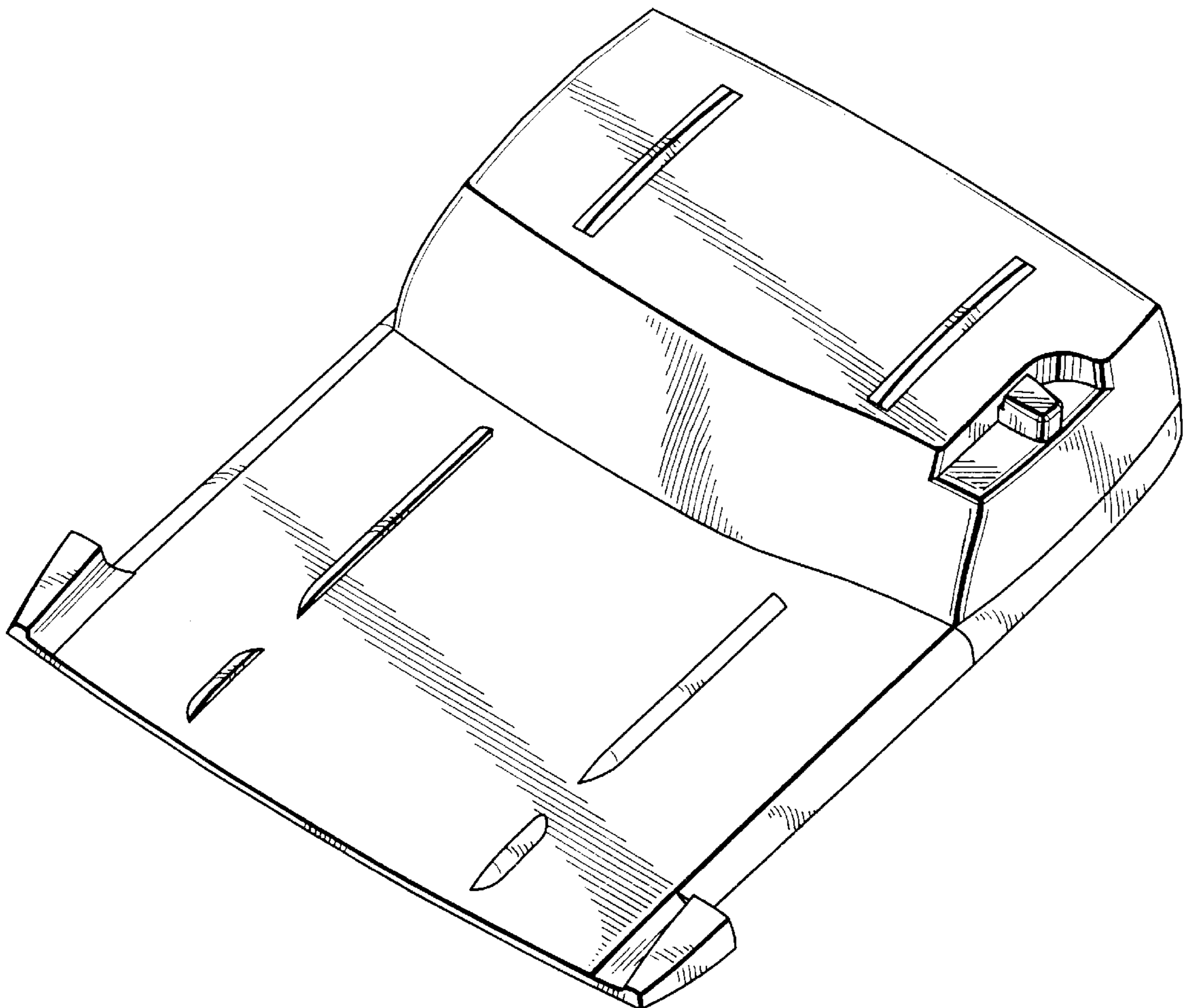
FIG. 4 is a left side elevational view thereof;

FIG. 5 is a right side elevational view thereof;

FIG. 6 is a top plan view thereof; and,

FIG. 7 is a bottom plan view thereof.

**1 Claim, 5 Drawing Sheets**



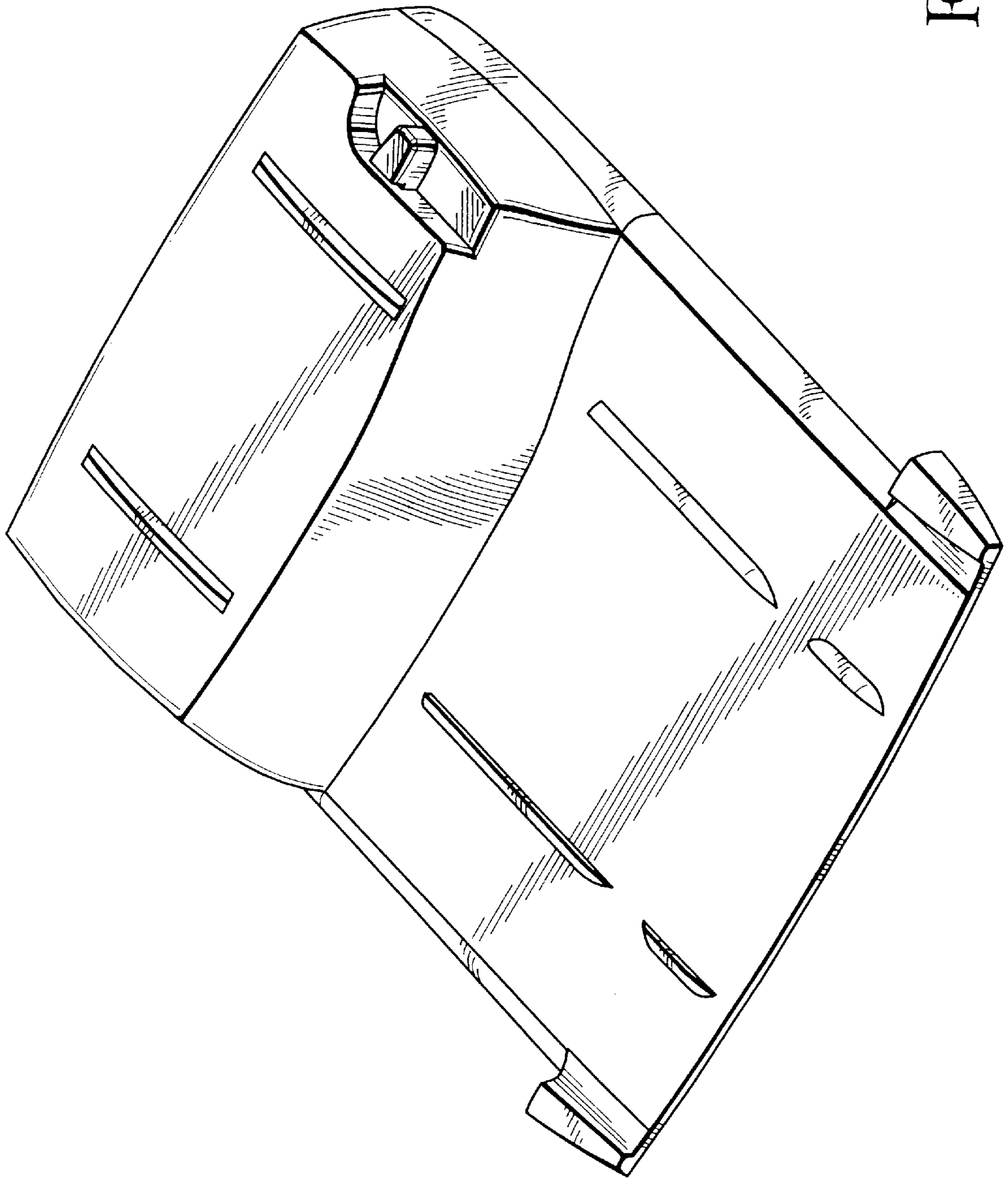


FIG. 1

FIG. 2

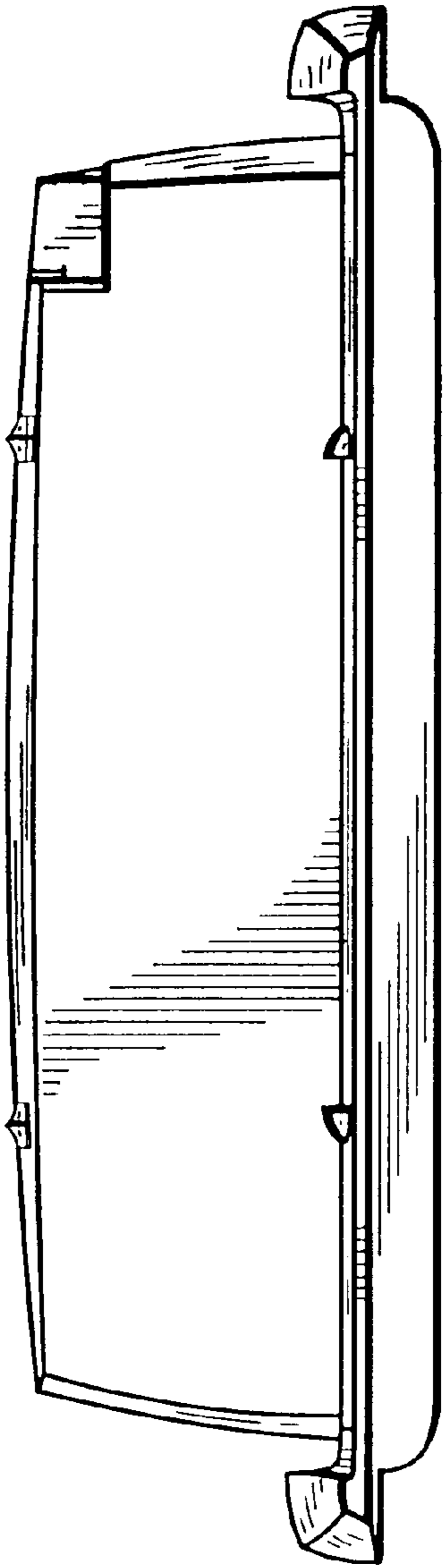


FIG. 3

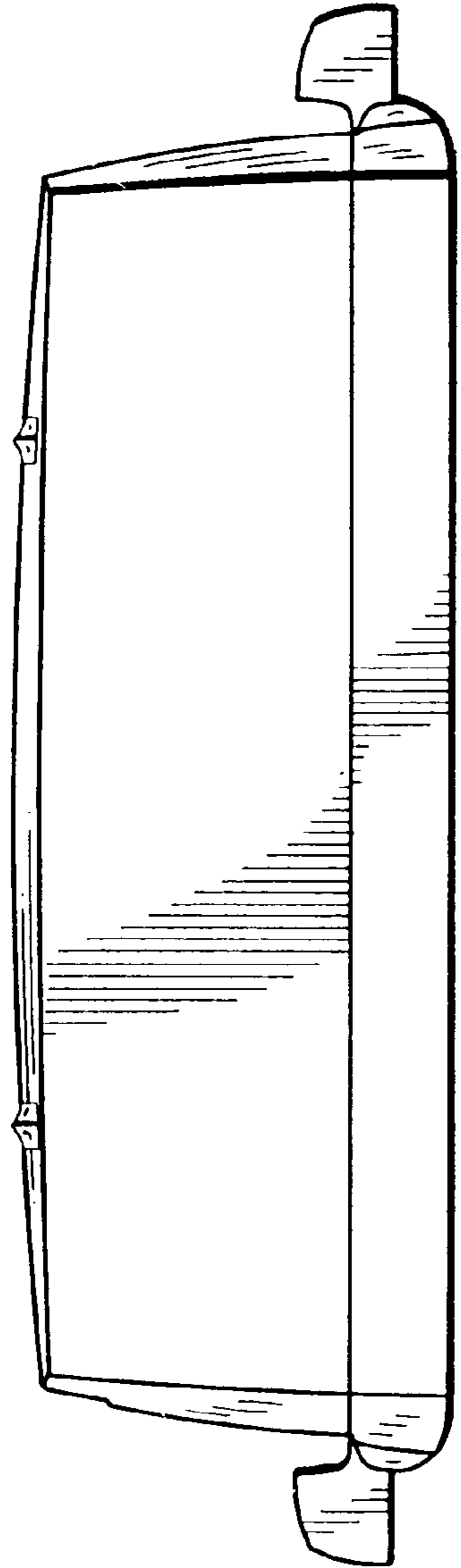


FIG. 4

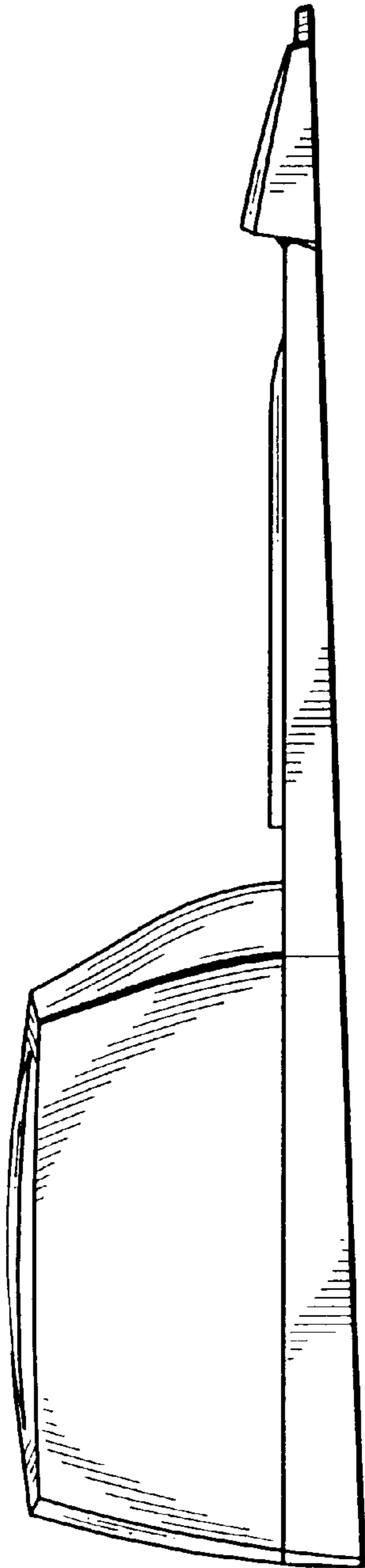


FIG. 5

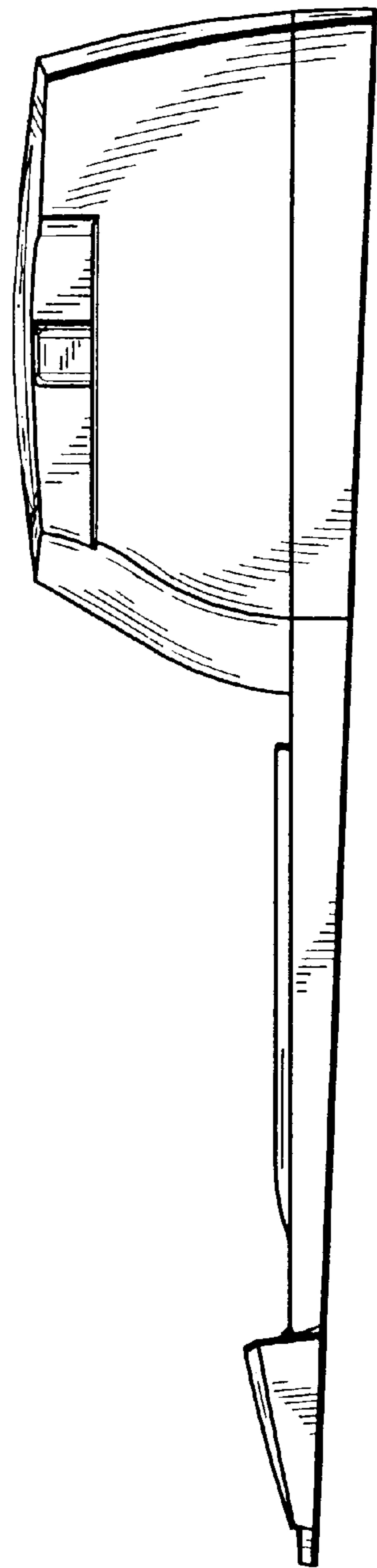
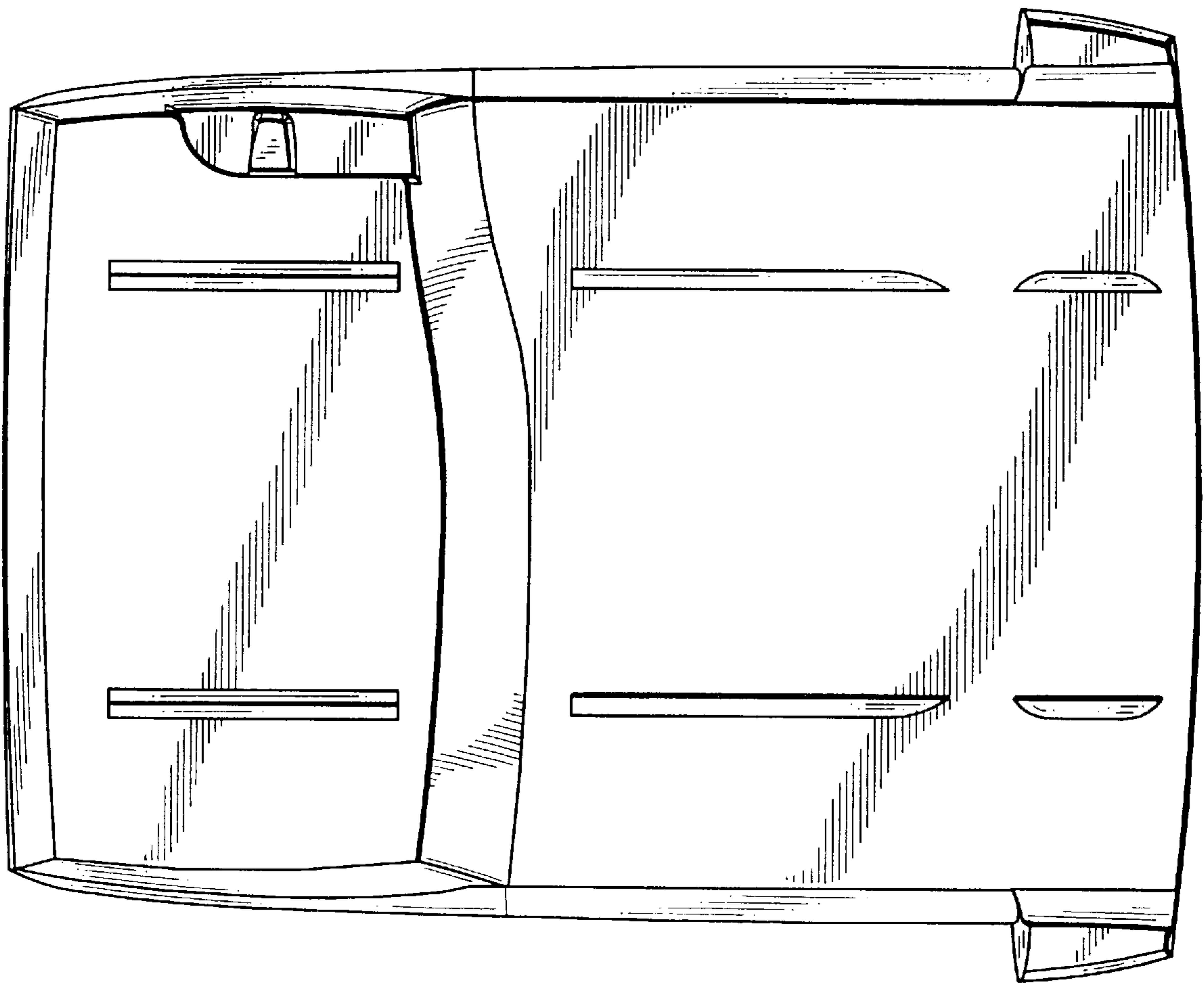


FIG. 6



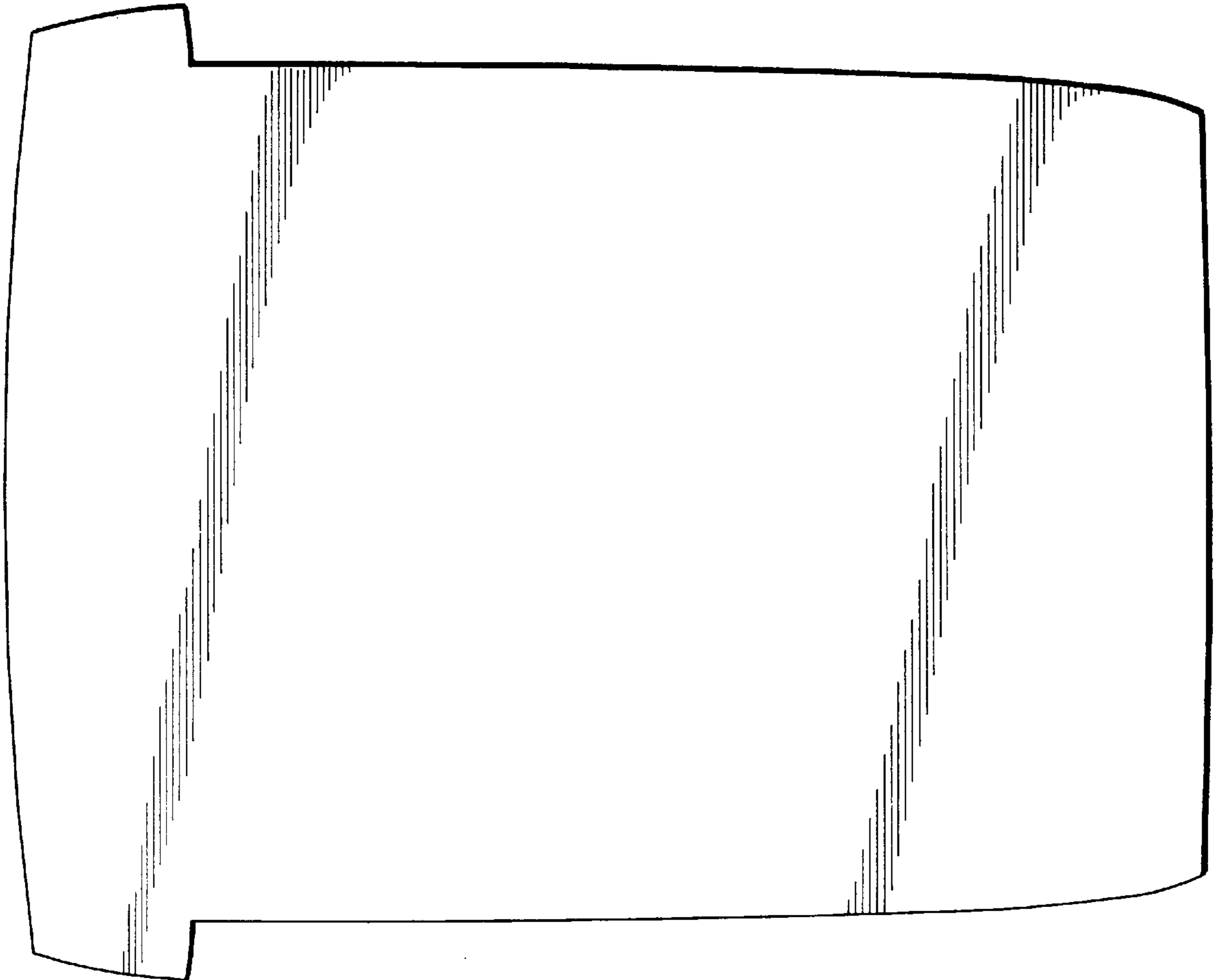


FIG. 7