



US00D421423S

United States Patent [19]

Fujimori et al.

[11] Patent Number: **Des. 421,423**

[45] Date of Patent: **** Mar. 7, 2000**

[54] **CARD READING-WRITING DEVICE WITH MODEM**

D. 367,044 2/1996 Arakaki D14/105
D. 389,466 1/1998 Nakao et al. D14/105

[75] Inventors: **Shirou Fujimori; Yukio Kuroiwa**, both of Kokubunji; **Junichi Tanji**, Koriyama; **Kotaro Yamashita**, Tokyo, all of Japan

FOREIGN PATENT DOCUMENTS

8-27662 of 0000 Japan .
1006974 4/1998 Japan .

[73] Assignee: **Hitachi Telecom Technologies, Ltd.**, Koriyama, Japan

Primary Examiner—Freda Nunn
Attorney, Agent, or Firm—Foley & Lardner

[**] Term: **14 Years**

[57] CLAIM

[21] Appl. No.: **29/087,752**

The ornamental design for a card reading-writing device with modem, as shown and described.

[22] Filed: **May 8, 1998**

DESCRIPTION

[30] Foreign Application Priority Data

Nov. 20, 1997 [JP] Japan 9-75874

FIG. 1 is a front elevational view of a card reading-writing device with modem showing our new design; FIG. 2 is a rear elevational view thereof; FIG. 3 is a top plan view thereof; FIG. 4 is a bottom plan view thereof; FIG. 5 is a right side elevational view thereof; FIG. 6 is a left side elevational view thereof; FIG. 7 is a sectional view taken in the direction of the arrows substantially along the lines 7—7 of FIG. 1, with the inner mechanism removed; FIG. 8 is a referential perspective view thereof; and, FIG. 9 is a referential top plan view thereof with it turning on.

[51] **LOC (6) Cl.** **14-02**

[52] **U.S. Cl.** **D14/105; D14/242**

[58] **Field of Search** D14/100, 105, D14/107, 242; D18/36, 37, 39; 235/454, 380, 462, 470, 382, 382.5, 472, 476, 482, 483, 441

[56] References Cited

U.S. PATENT DOCUMENTS

D. 311,178 10/1990 Goodner D14/105
D. 359,951 7/1995 Nair et al. D14/105

1 Claim, 5 Drawing Sheets

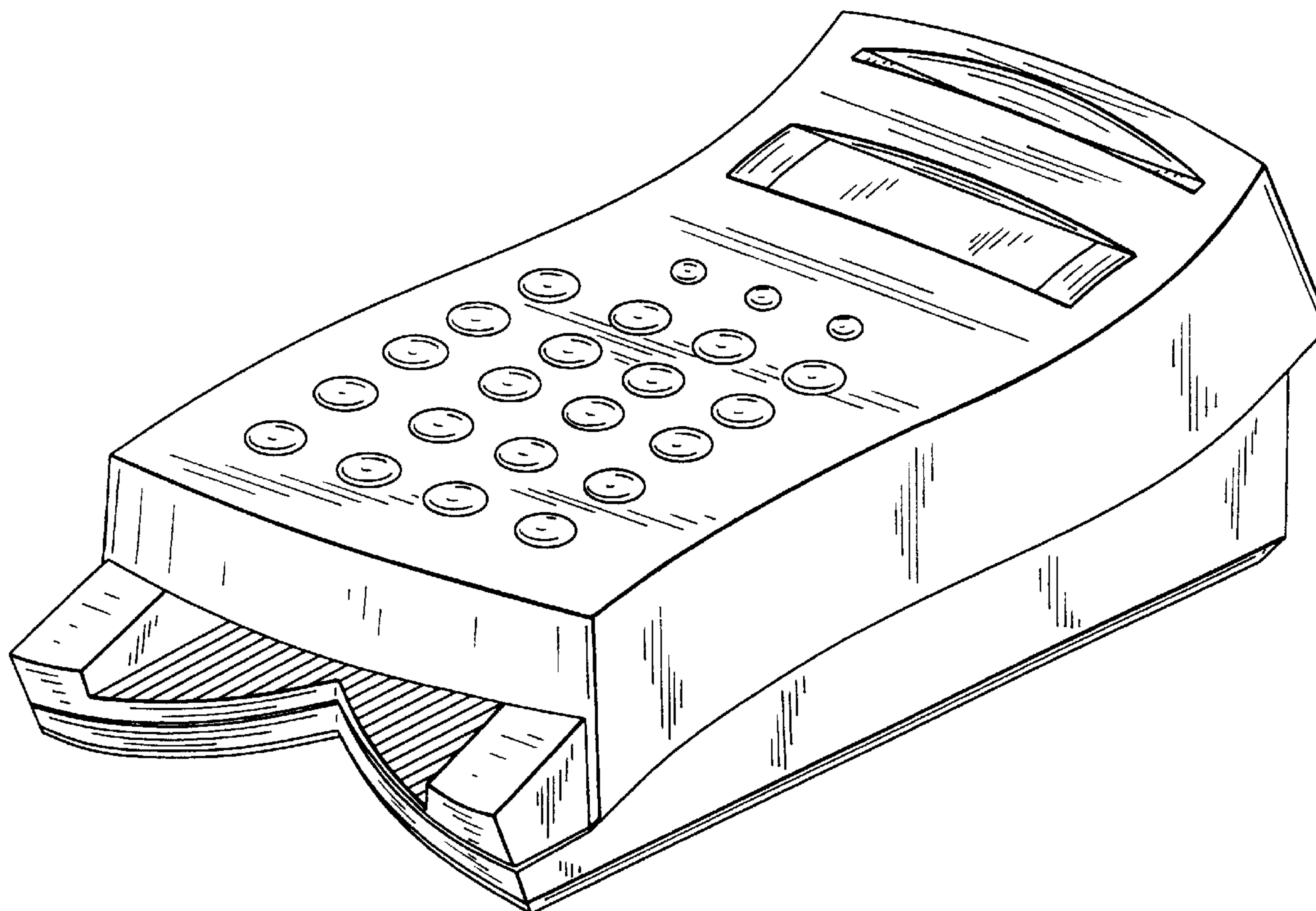


FIG. 2

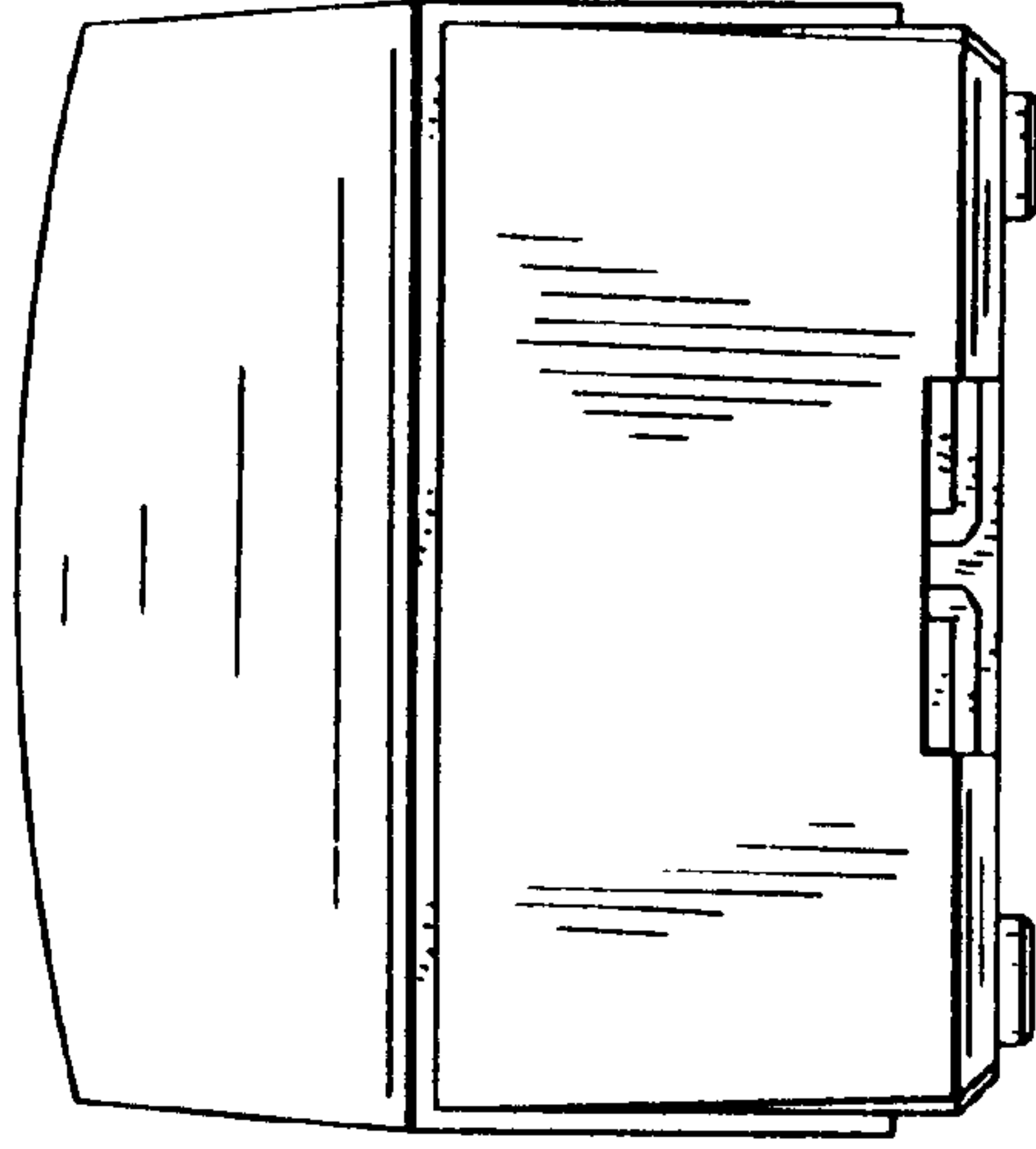


FIG. 1

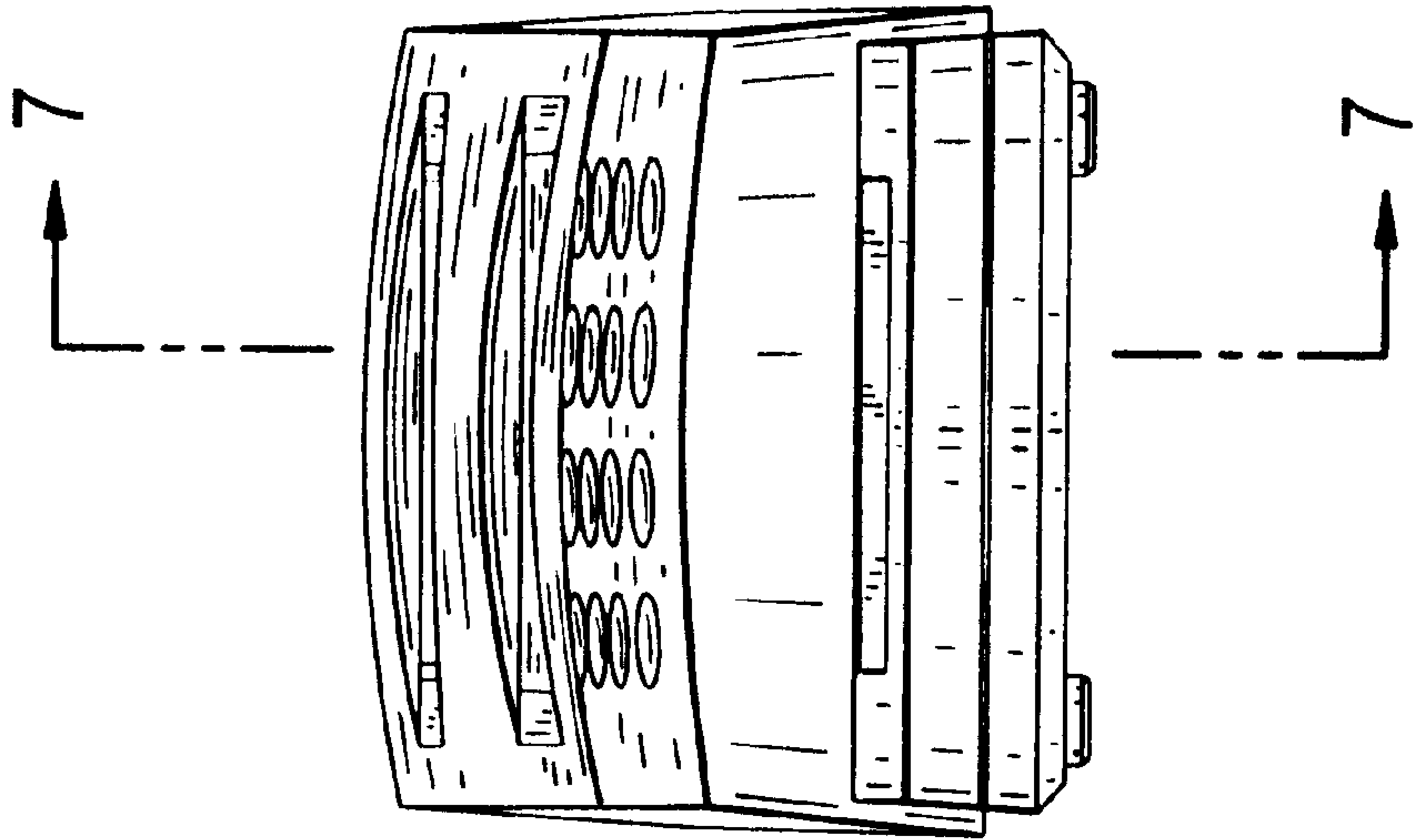


FIG. 4

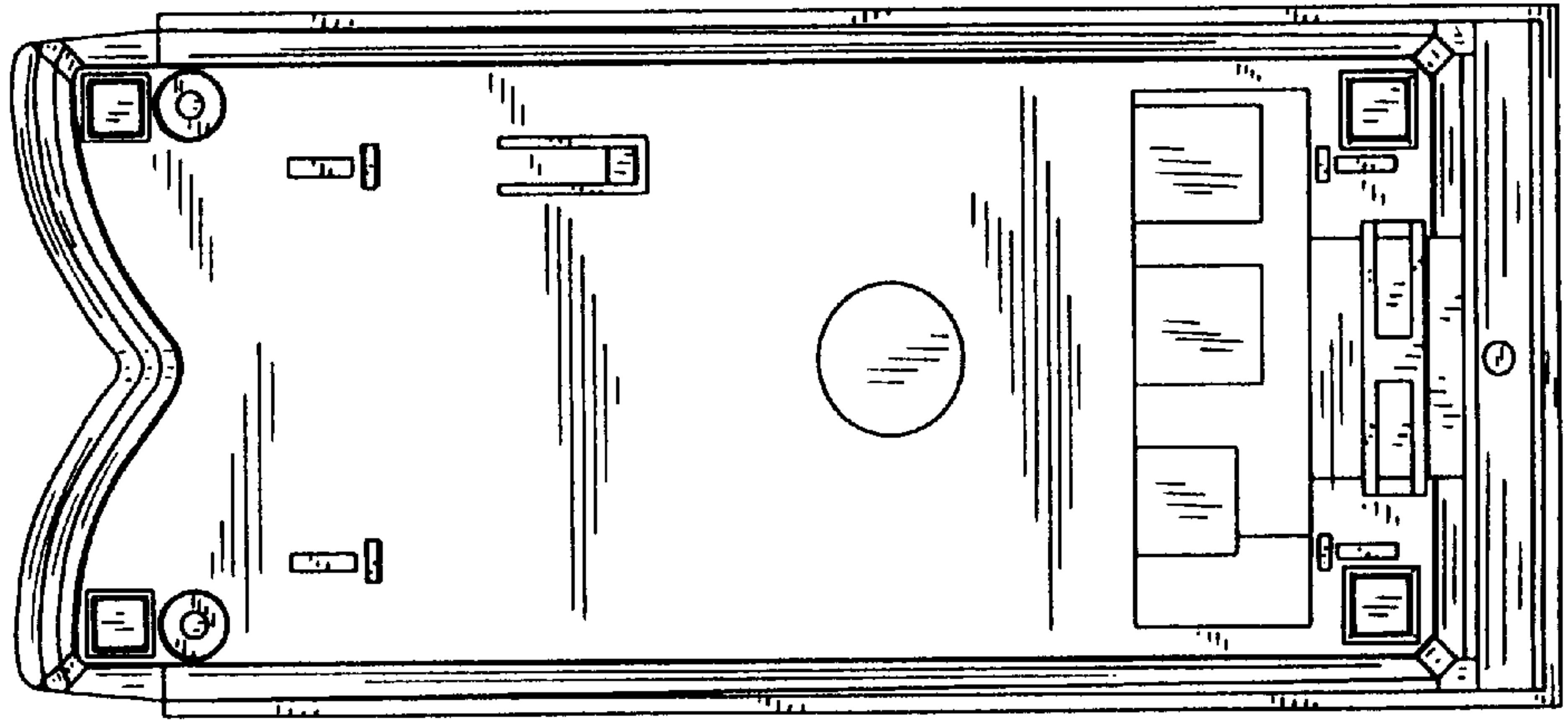


FIG. 3

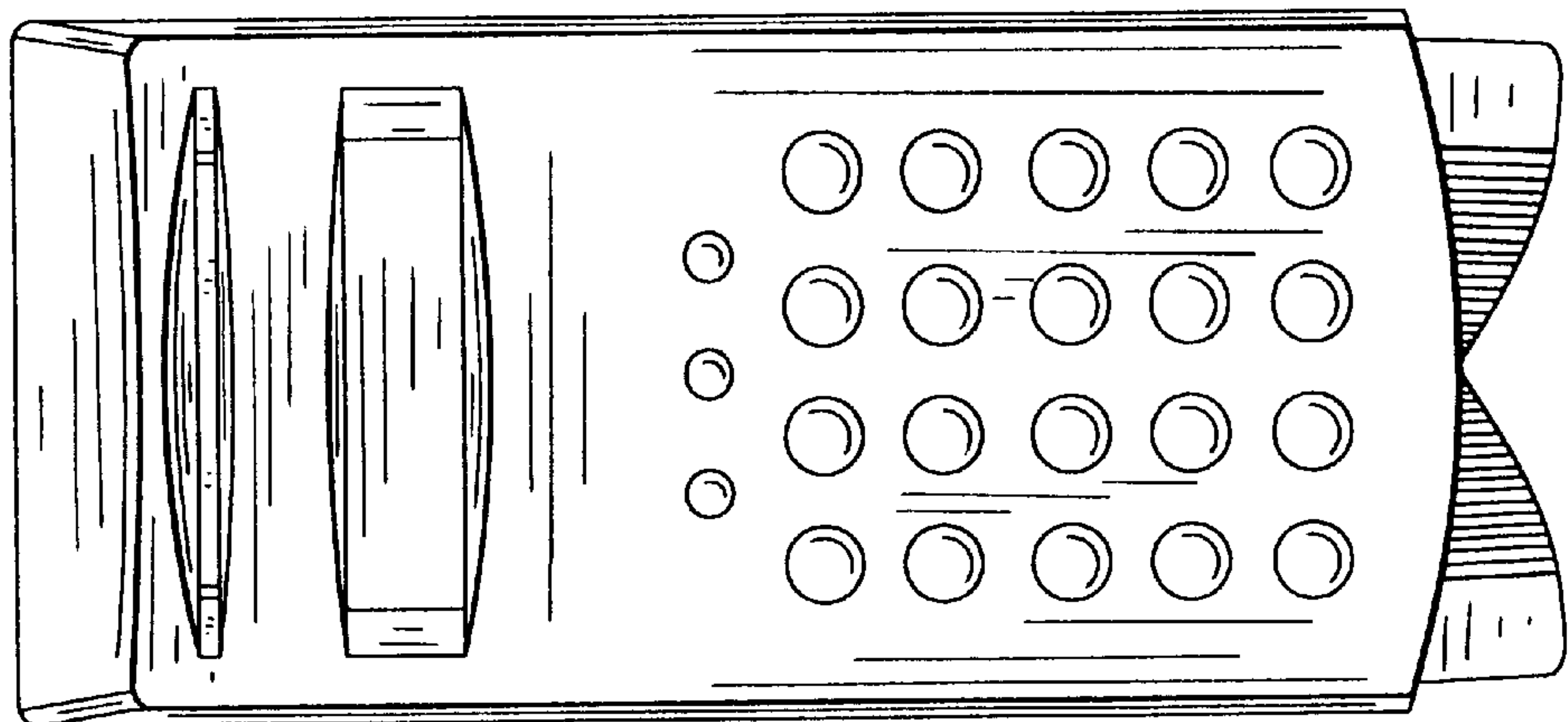


FIG. 5

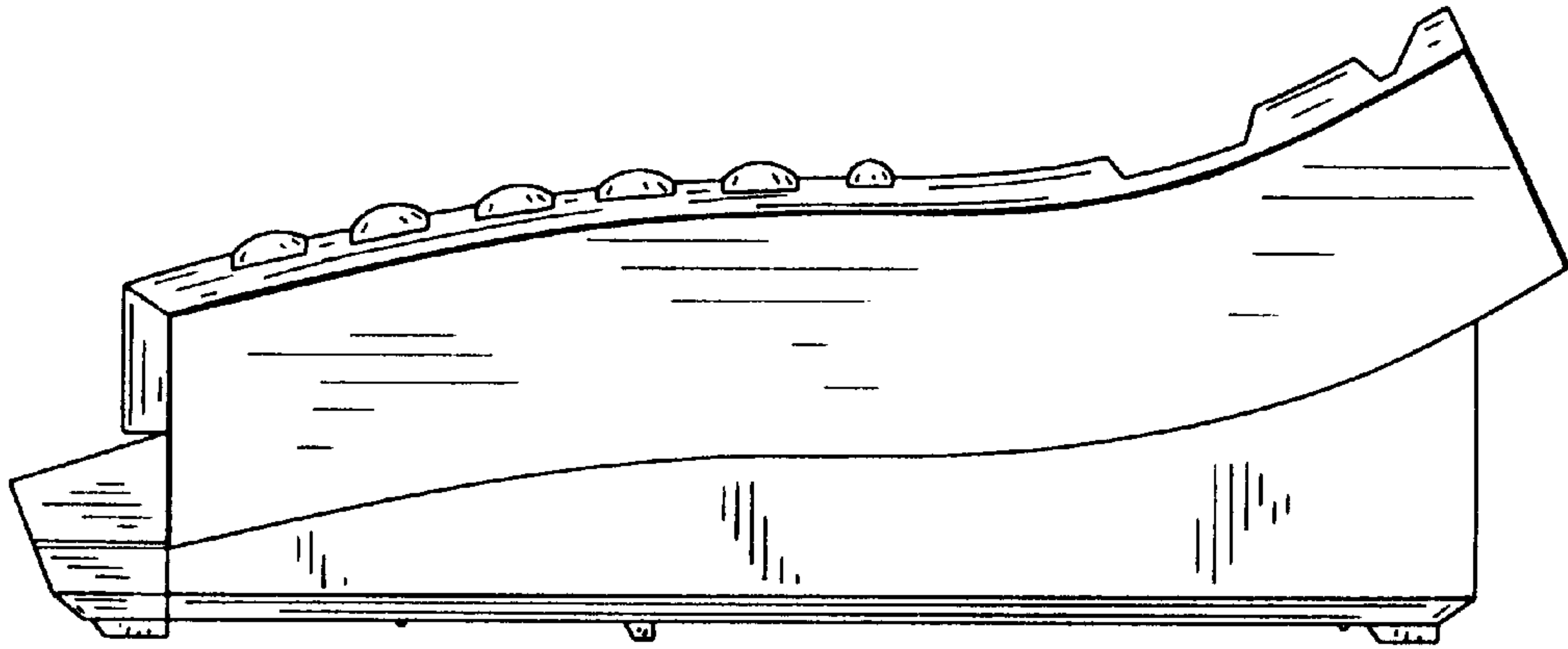


FIG. 6

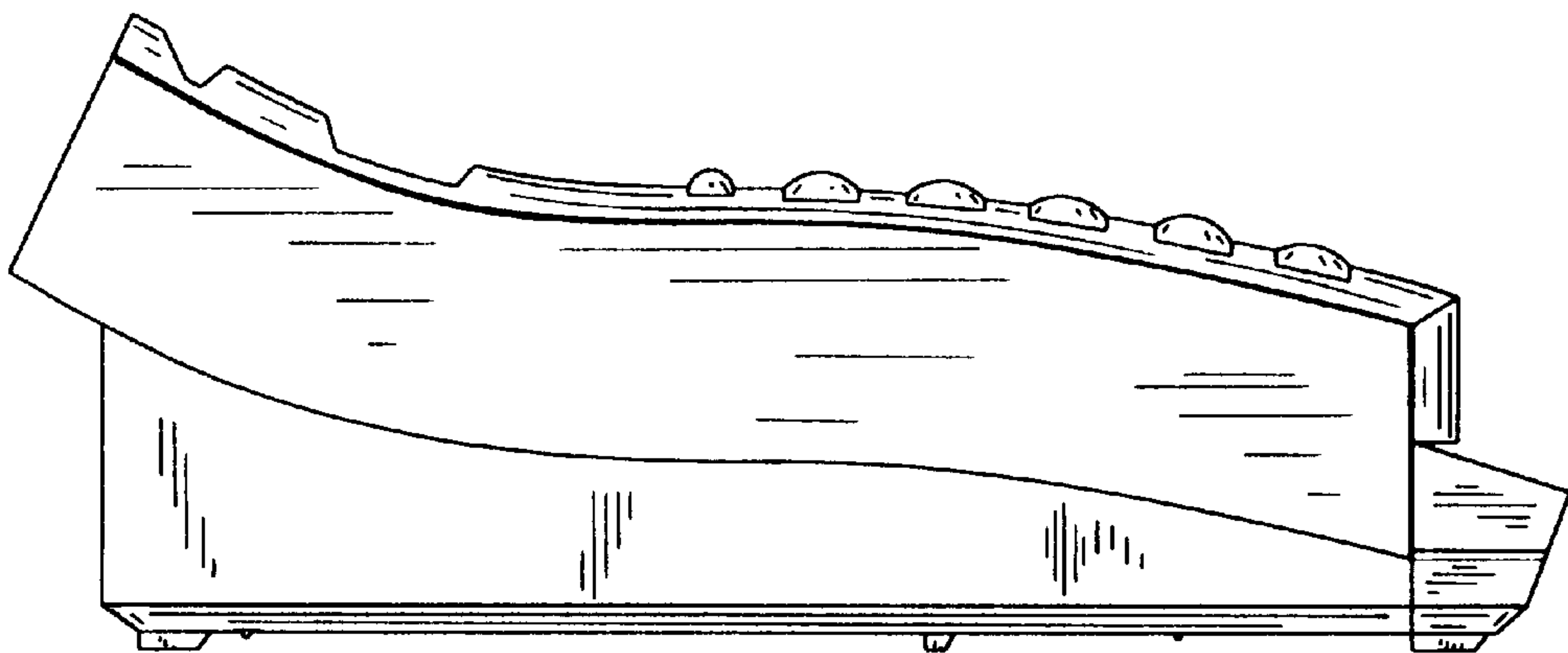


FIG. 7

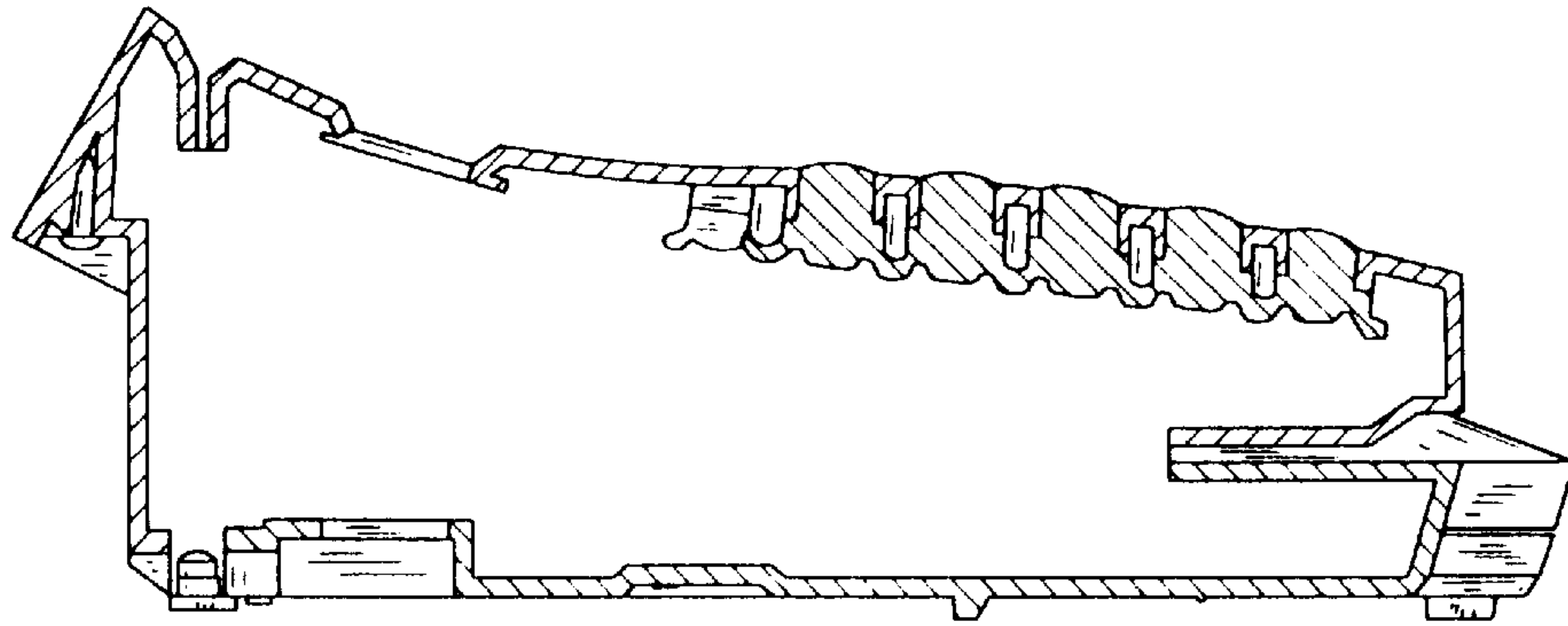


FIG. 9

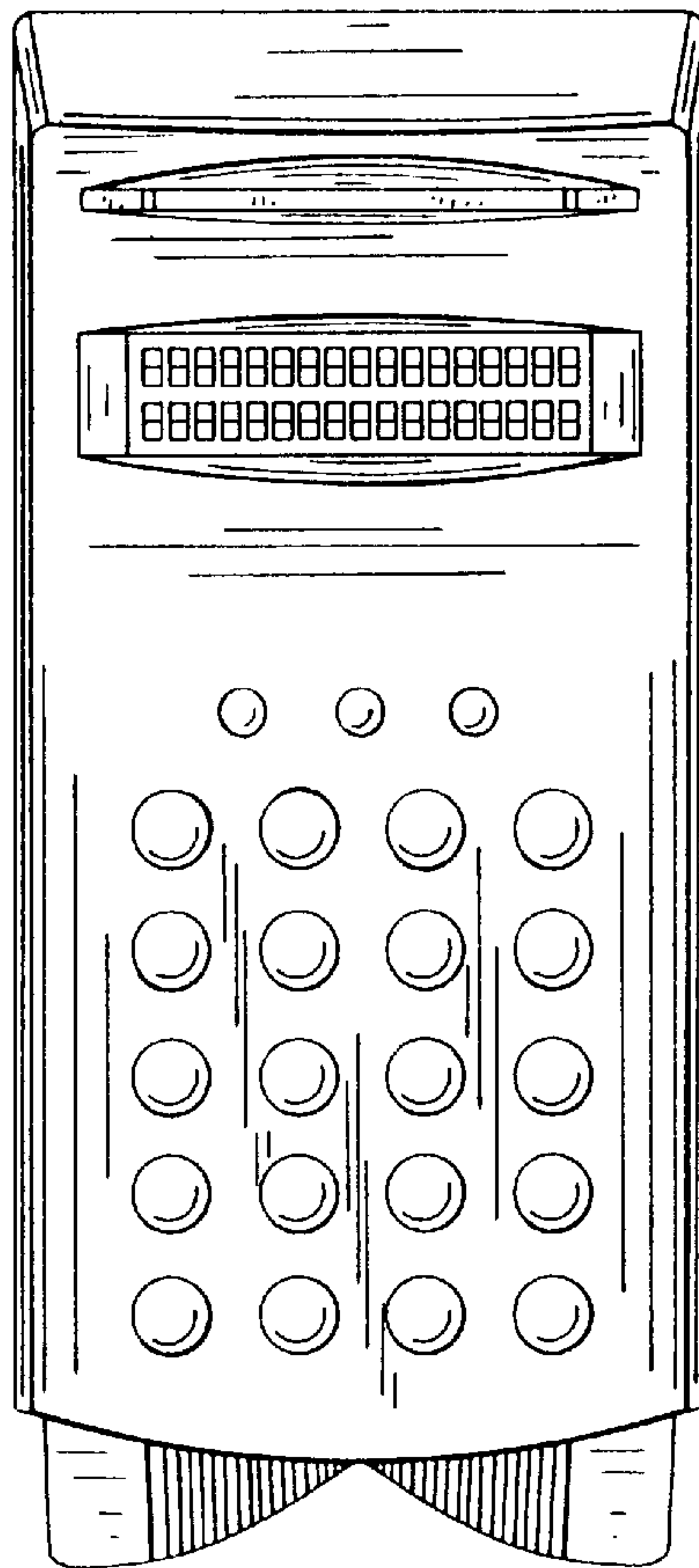


FIG. 8

