



US00D421421S

# United States Patent [19]

Kashio

[11] Patent Number: **Des. 421,421**

[45] Date of Patent: **\*\* Mar. 7, 2000**

[54] **CONNECTOR RECEPTACLE FOR IC CARD**

[75] Inventor: **Kinji Kashio**, Tokyo, Japan

[73] Assignee: **Honda Tsushin Kogyo Co., Ltd.**,  
Tokyo, Japan

[\*\*] Term: **14 Years**

[21] Appl. No.: **29/101,050**

[22] Filed: **Feb. 23, 1999**

### [30] Foreign Application Priority Data

Nov. 19, 1998 [JP] Japan ..... 10-33205

[51] **LOC (6) Cl.** ..... **13-03**

[52] **U.S. Cl.** ..... **D13/147**

[58] **Field of Search** ..... D13/133, 146,  
D13/147; D14/105; 439/260, 267, 325,  
630, 635; 235/441

### [56] References Cited

#### U.S. PATENT DOCUMENTS

5,028,767 7/1991 Mizuno ..... 235/441  
5,470,260 11/1995 Schwan et al. .... 439/630

5,667,408 9/1997 Broschard, III et al. .... 439/630  
5,686,714 11/1997 Abe et al. .... 235/441 X  
5,714,742 2/1998 Ieda ..... 235/441  
5,729,000 3/1998 Sugimoto ..... 235/441  
5,750,973 5/1998 Kaufman et al. .... 235/441  
5,800,200 9/1998 Brioaud et al. .... 439/630 X  
5,891,591 4/1999 Suzuki ..... 429/178  
5,936,222 8/1999 Korsunsky et al. .... 235/441

*Primary Examiner*—Joel Sincavage  
*Attorney, Agent, or Firm*—Nikaido, Marmelstein, Murray &  
Oram LLP

### [57] CLAIM

The ornamental design for connector receptacle for IC card,  
as shown and described.

### DESCRIPTION

FIG. 1 is a perspective view of the connector receptacle for  
IC card showing my new design;  
FIG. 2 is a front elevational view thereof;  
FIG. 3 is a right side elevational view thereof;  
FIG. 4 is a left side elevational view thereof;  
FIG. 5 is a top plan view thereof; and,  
FIG. 6 is a bottom plan view thereof.

**1 Claim, 2 Drawing Sheets**

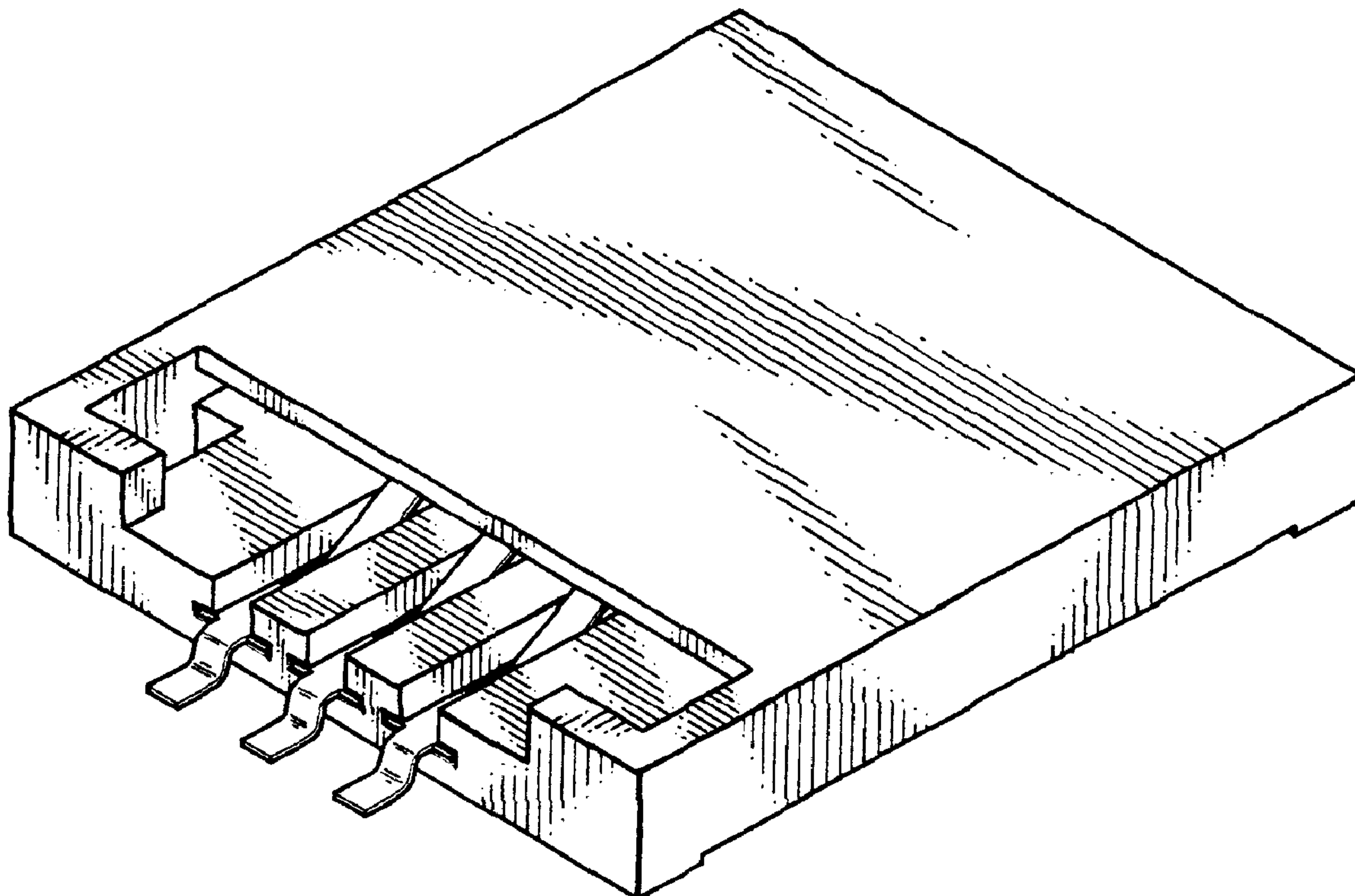


FIG. 1

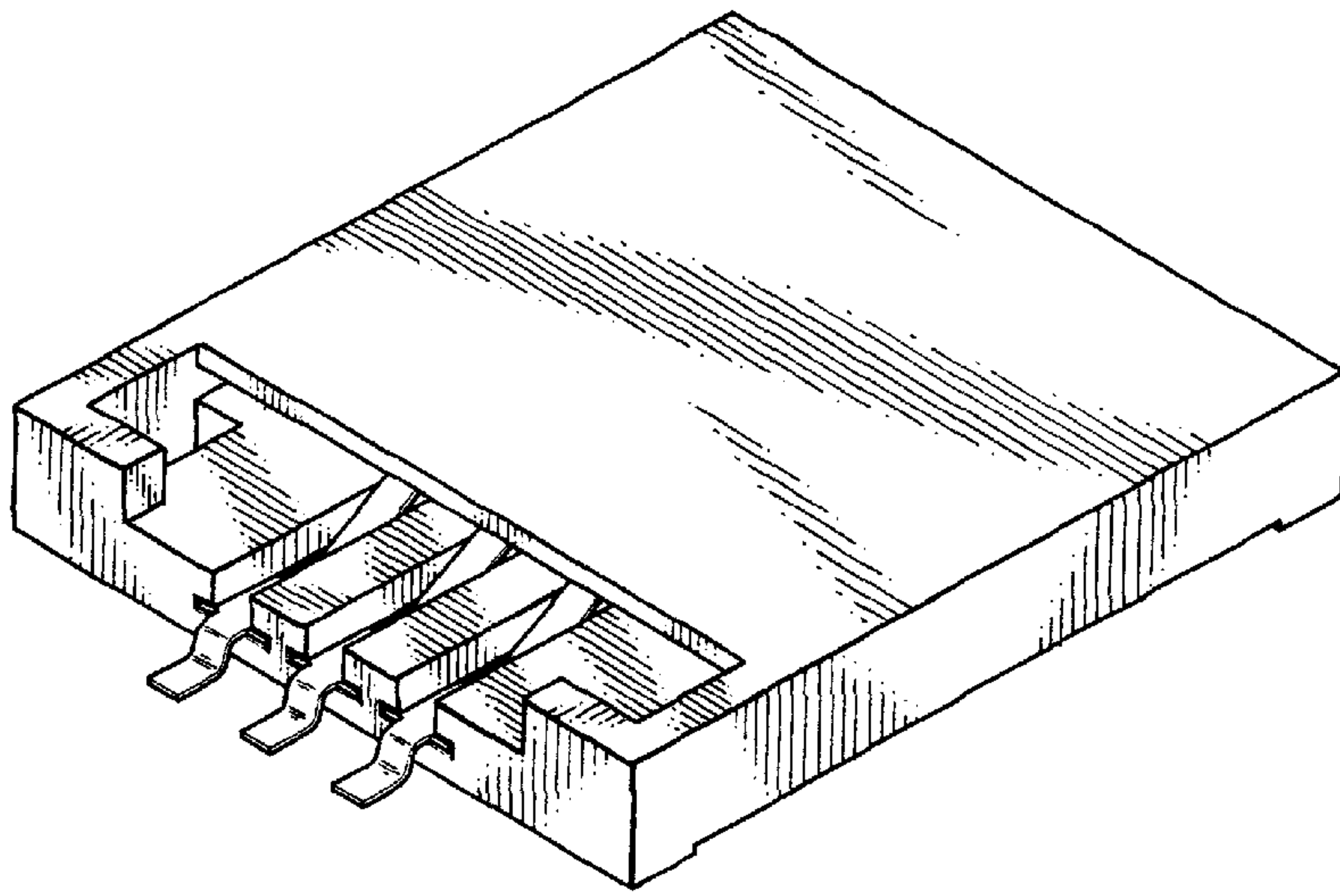


FIG. 2

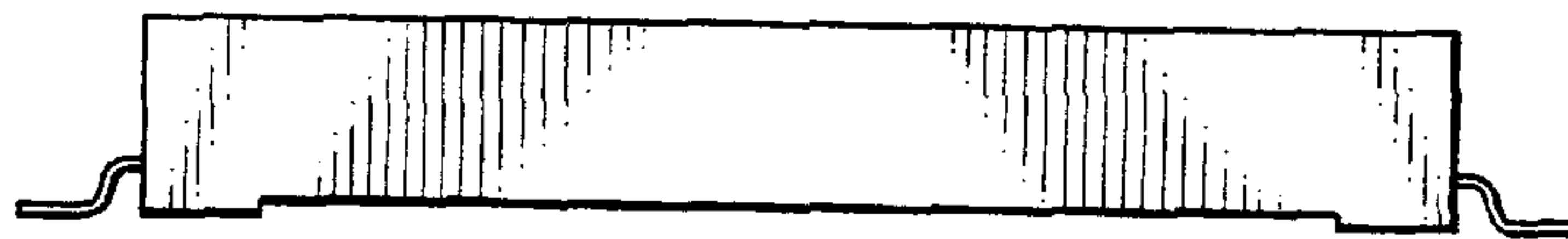


FIG. 3

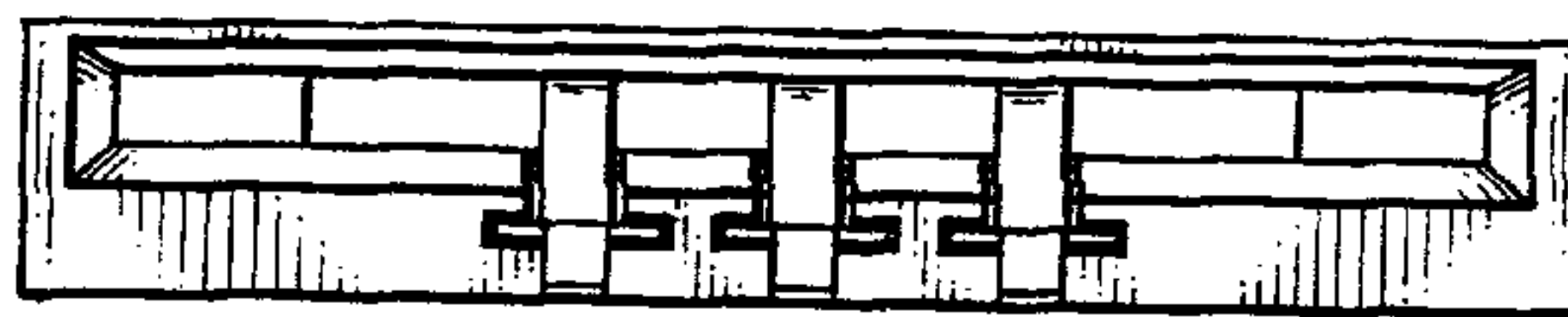


FIG. 4



FIG. 5

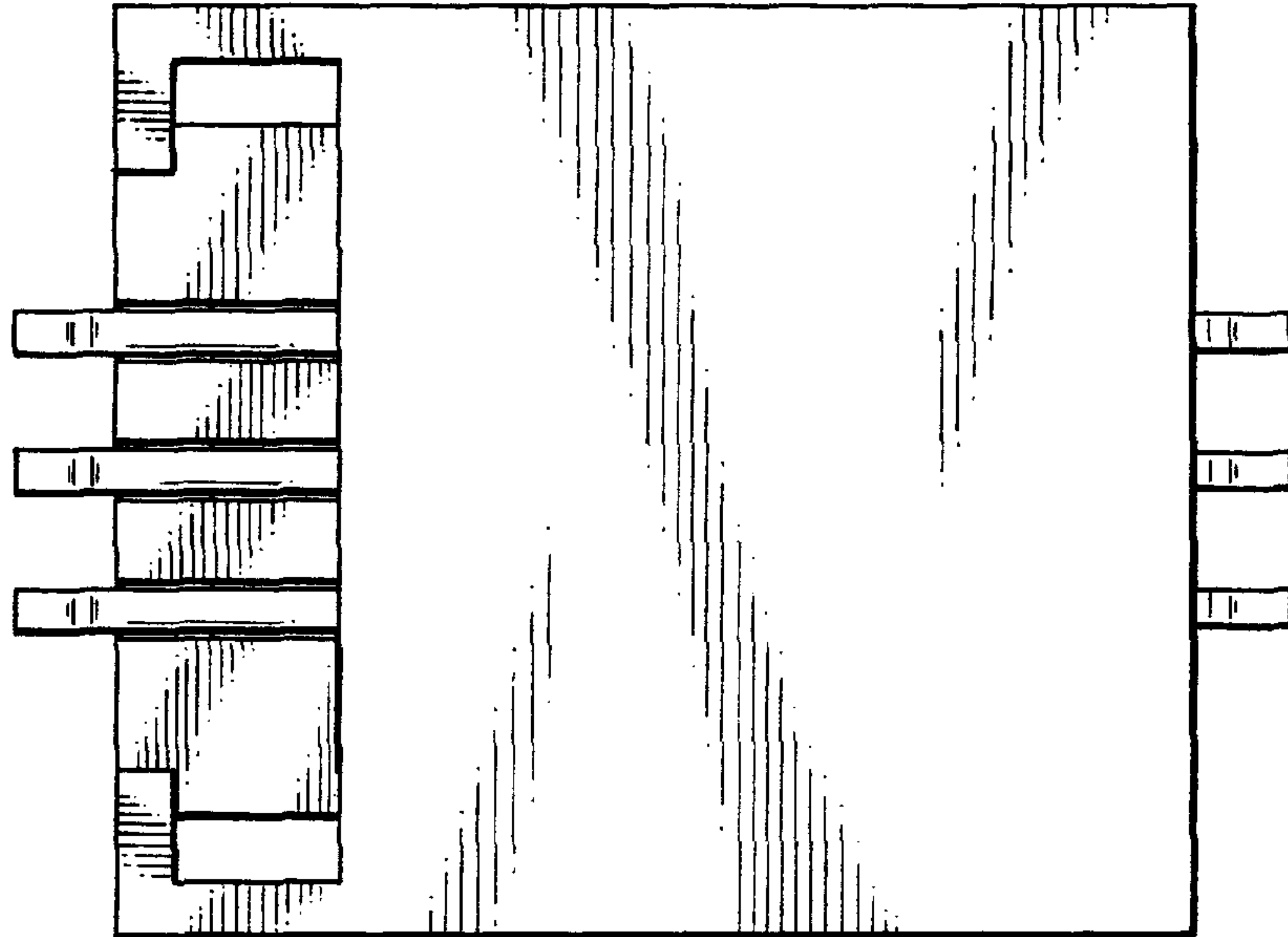


FIG. 6

