



US00D421420S

United States Patent [19] Wu

[11] **Patent Number: Des. 421,420**

[45] **Date of Patent: ** Mar. 7, 2000**

[54] **HIGH DENSITY MULTI-PORTS CONNECTOR**

[75] Inventor: **Kun Tsan Wu**, Tu-Chen, Taiwan

[73] Assignee: **Hon Hai Precision Ind. Co., Ltd.**,
Taipei Hsien, Taiwan

[**] Term: **14 Years**

[21] Appl. No.: **29/098,293**

[22] Filed: **Dec. 22, 1998**

[30] **Foreign Application Priority Data**

Oct. 23, 1998 [TW] Taiwan 87307743

[51] **LOC (6) Cl.** **13-03**

[52] **U.S. Cl.** **D13/147**

[58] **Field of Search** D13/147; 439/59,
439/61, 62, 76.1, 79, 630, 632, 634, 636,
637, 660

[56] **References Cited**

U.S. PATENT DOCUMENTS

D. 332,599 1/1993 Kikuta et al. D13/147

D. 390,828	2/1998	Aramaki	D13/147
D. 407,690	4/1999	Lai et al.	D13/147
5,522,737	6/1996	Brunker et al.	439/637
5,564,931	10/1996	Fabian et al.	439/62
5,577,936	11/1996	Hahn	439/607
5,725,389	3/1998	Scheer	439/328
5,853,303	12/1998	Brunker et al.	439/637

Primary Examiner—Joel Sincavage

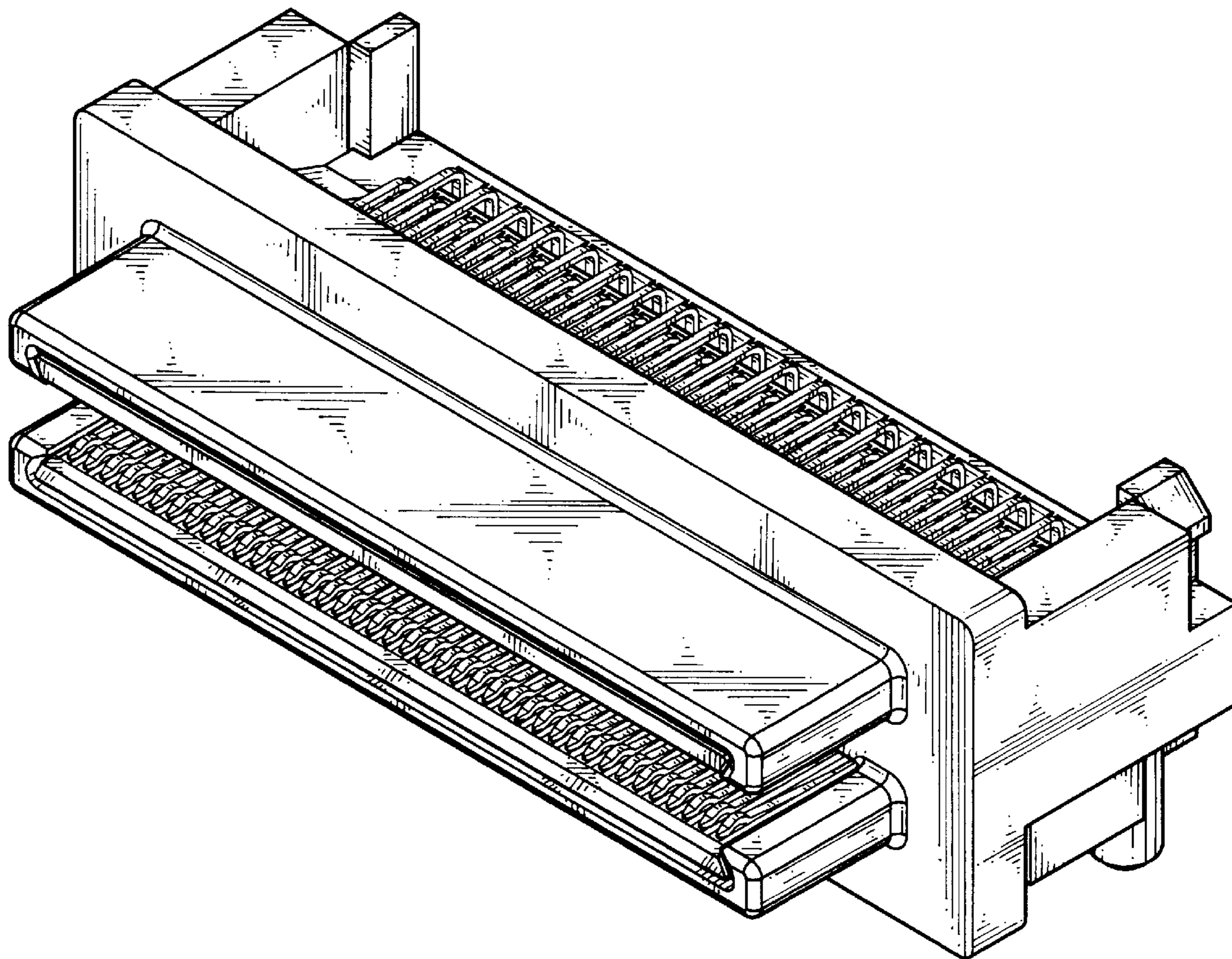
[57] **CLAIM**

The ornamental design for a high density multi-ports connector, as shown.

DESCRIPTION

FIG. 1 is a perspective view of a high density multi-ports connector showing my new design;
FIG. 2 is a front elevational view thereof;
FIG. 3 is a rear elevational view thereof;
FIG. 4 is a left side elevational view thereof;
FIG. 5 is a right side elevational view thereof;
FIG. 6 is a top plan view thereof; and,
FIG. 7 is a bottom plan view thereof.

1 Claim, 7 Drawing Sheets



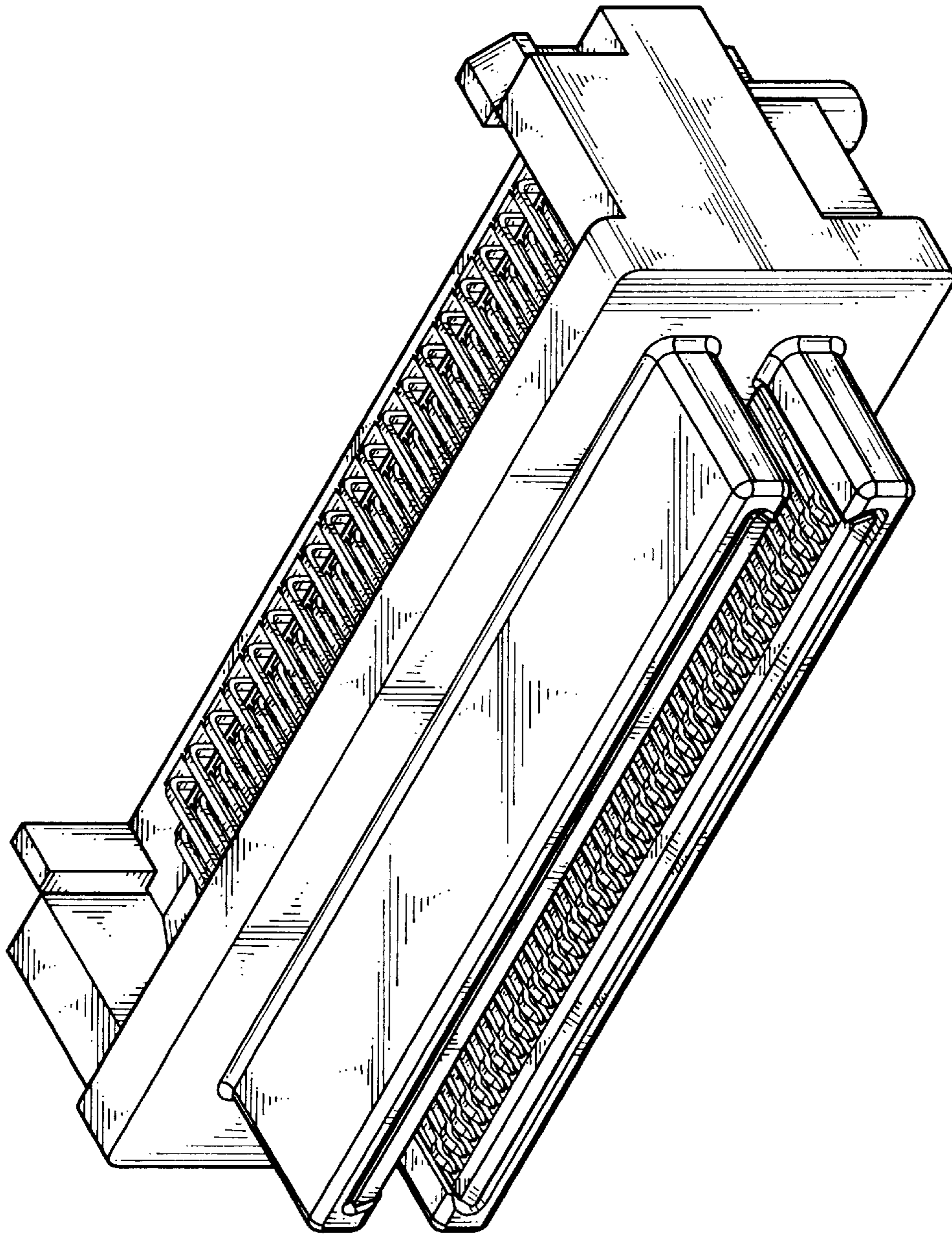


FIG.1

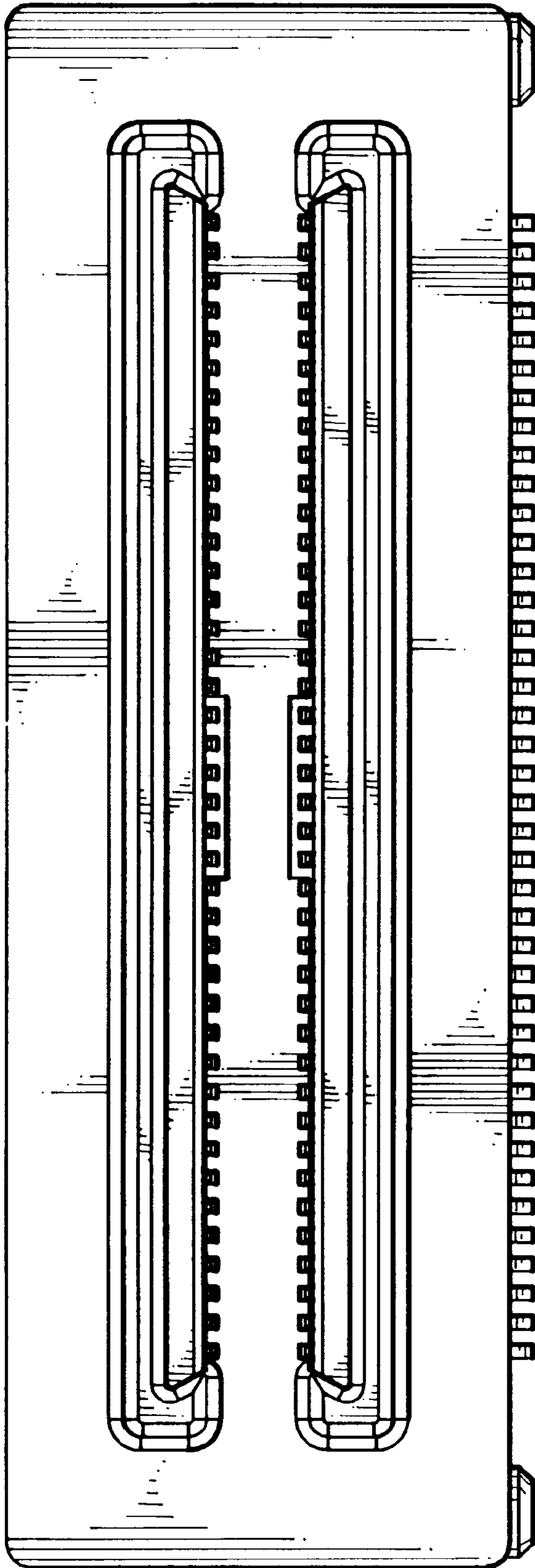


FIG.2

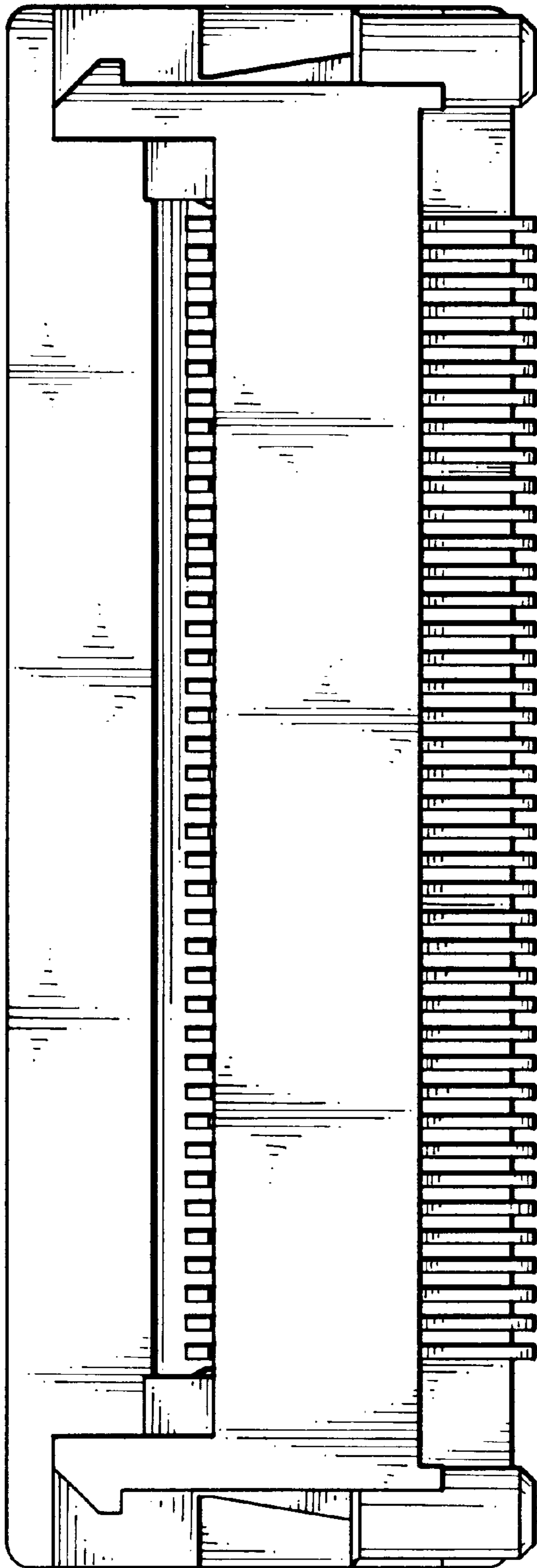


FIG. 3

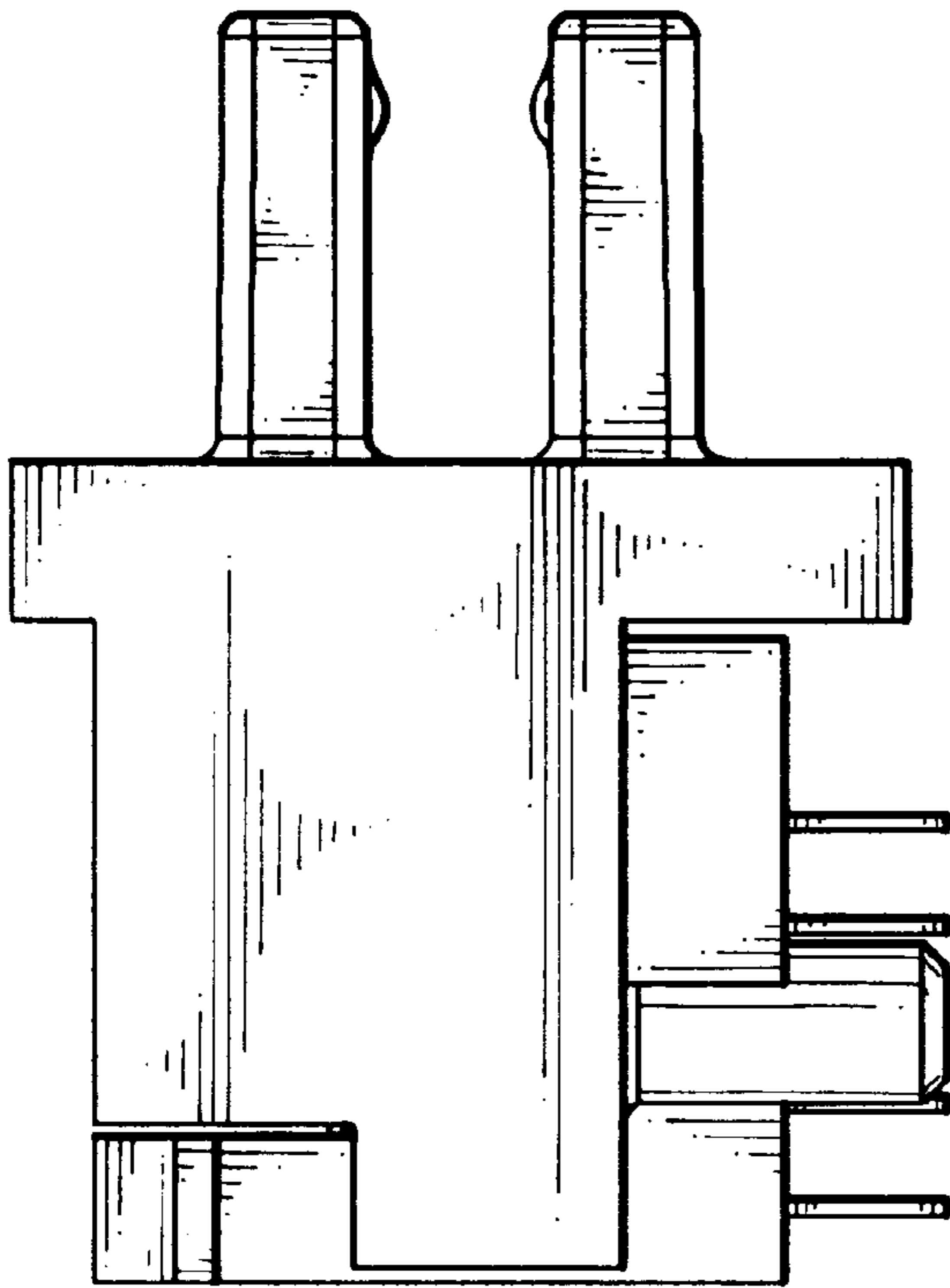


FIG. 4

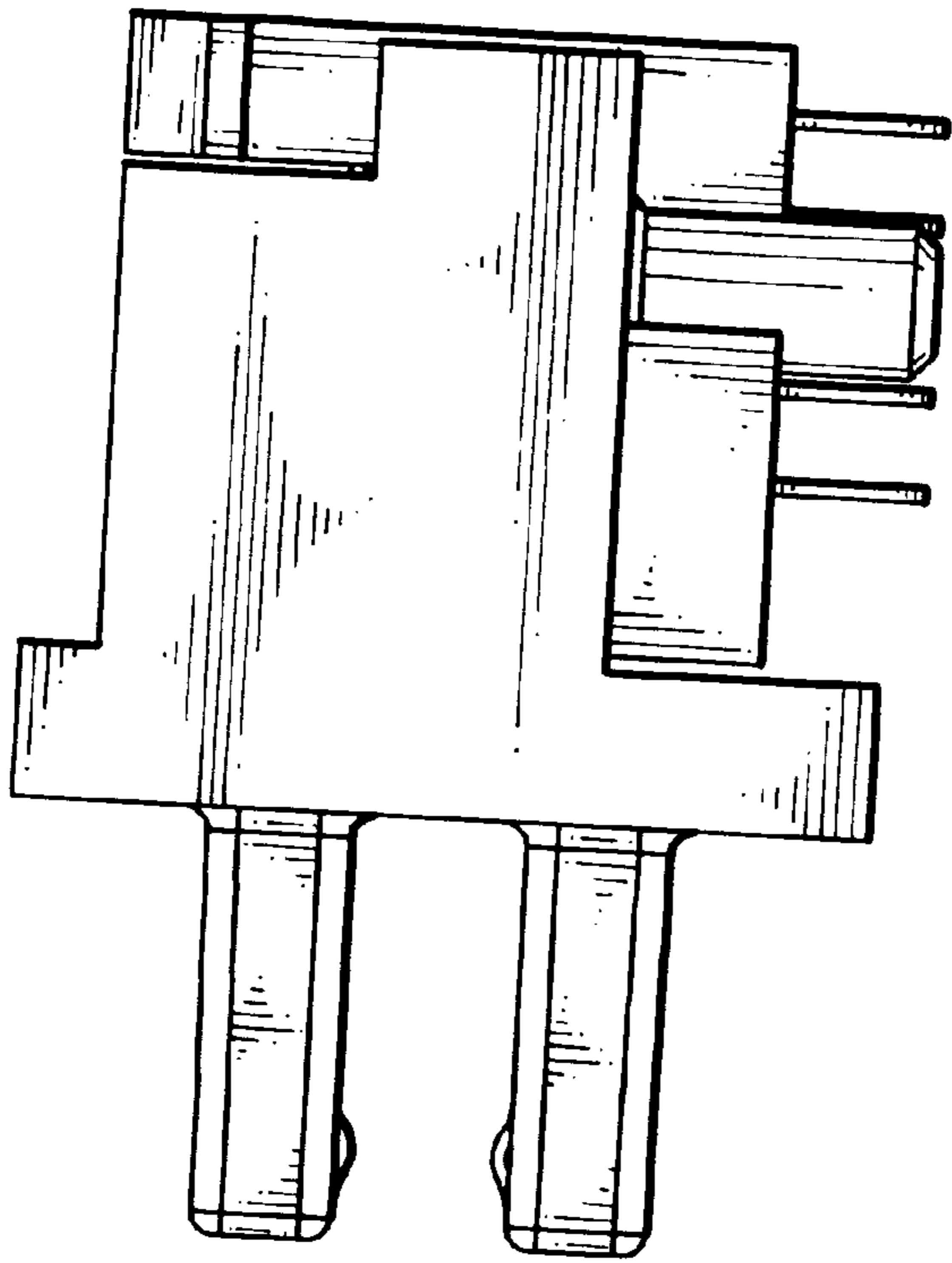


FIG. 5

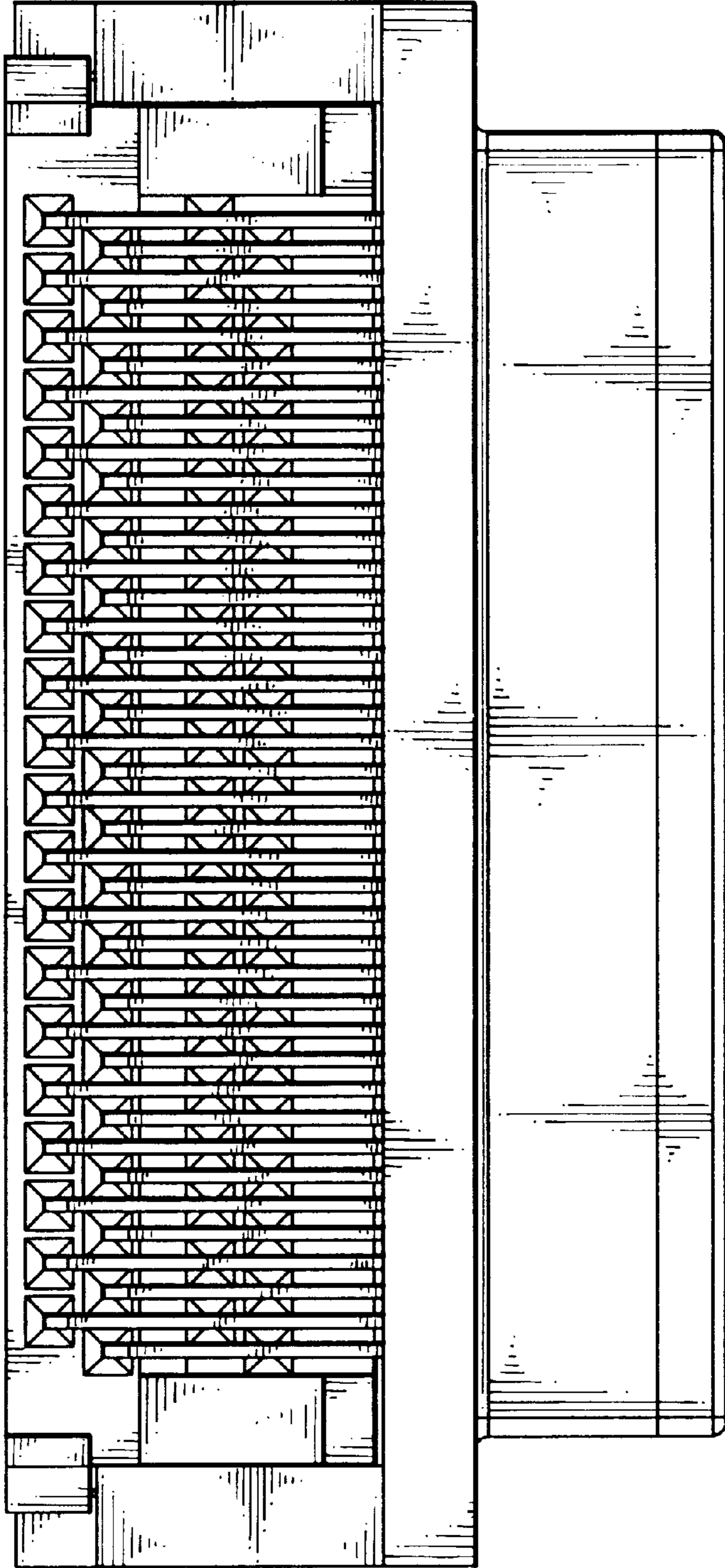


FIG.6

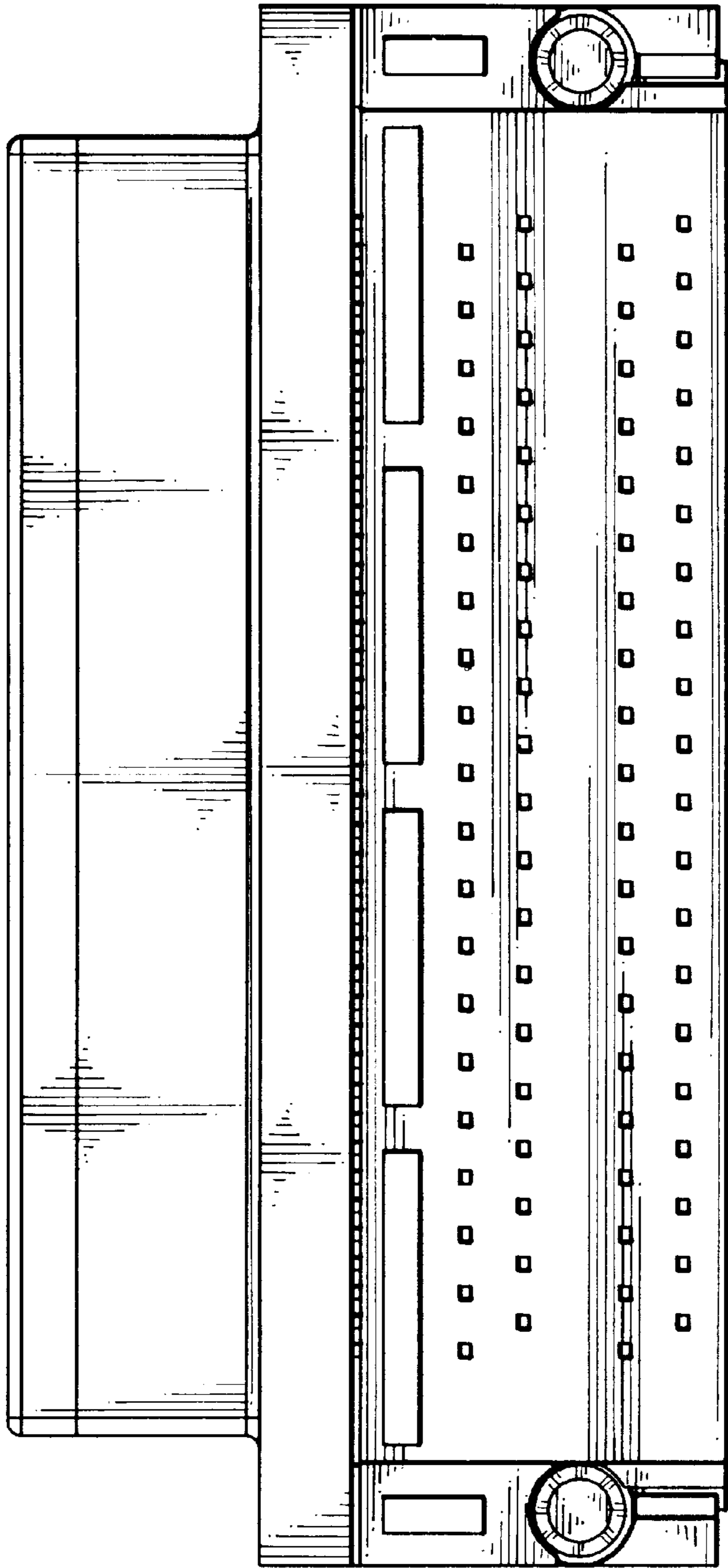


FIG. 7