



US00D421419S

United States Patent [19]

[11] Patent Number: **Des. 421,419**

Wu et al.

[45] Date of Patent: **** Mar. 7, 2000**

[54] **STACKED CONNECTOR ASSEMBLY**

[75] Inventors: **Kun-Tsan Wu, Tu-Chen; Chao-Hsu Chen, Jia-I**, both of Taiwan

[73] Assignee: **Hon Hai Precision Ind. Co., Ltd.**, Taipei Hsien, Taiwan

[**] Term: **14 Years**

[21] Appl. No.: **29/101,476**

[22] Filed: **Mar. 4, 1999**

[30] **Foreign Application Priority Data**

Sep. 4, 1998 [TW] Taiwan 87306519

[51] **LOC (6) Cl.** **13-03**

[52] **U.S. Cl.** **D13/146**

[58] **Field of Search** D13/133, 146, D13/147; 439/79, 594, 541.5, 724, 717

[56] **References Cited**

U.S. PATENT DOCUMENTS

D. 314,943	2/1991	Tajima	D13/147
D. 407,070	3/1999	Chang	D13/147
D. 409,984	5/1999	Wu	D13/147

3,771,104	11/1973	Clark	439/717 X
4,070,086	1/1978	Trafford	439/717
4,995,819	2/1991	Ohl	439/79
5,037,330	8/1991	Fulponi et al.	439/541.5 X
5,098,316	3/1992	Kollmann et al.	439/717
5,417,585	5/1995	Morin et al.	439/541.5 X
5,709,554	1/1998	Savage, Jr.	439/56
5,730,621	3/1998	Wang	439/541.5

Primary Examiner—Joel Sincavage
Attorney, Agent, or Firm—Wei Te Chung

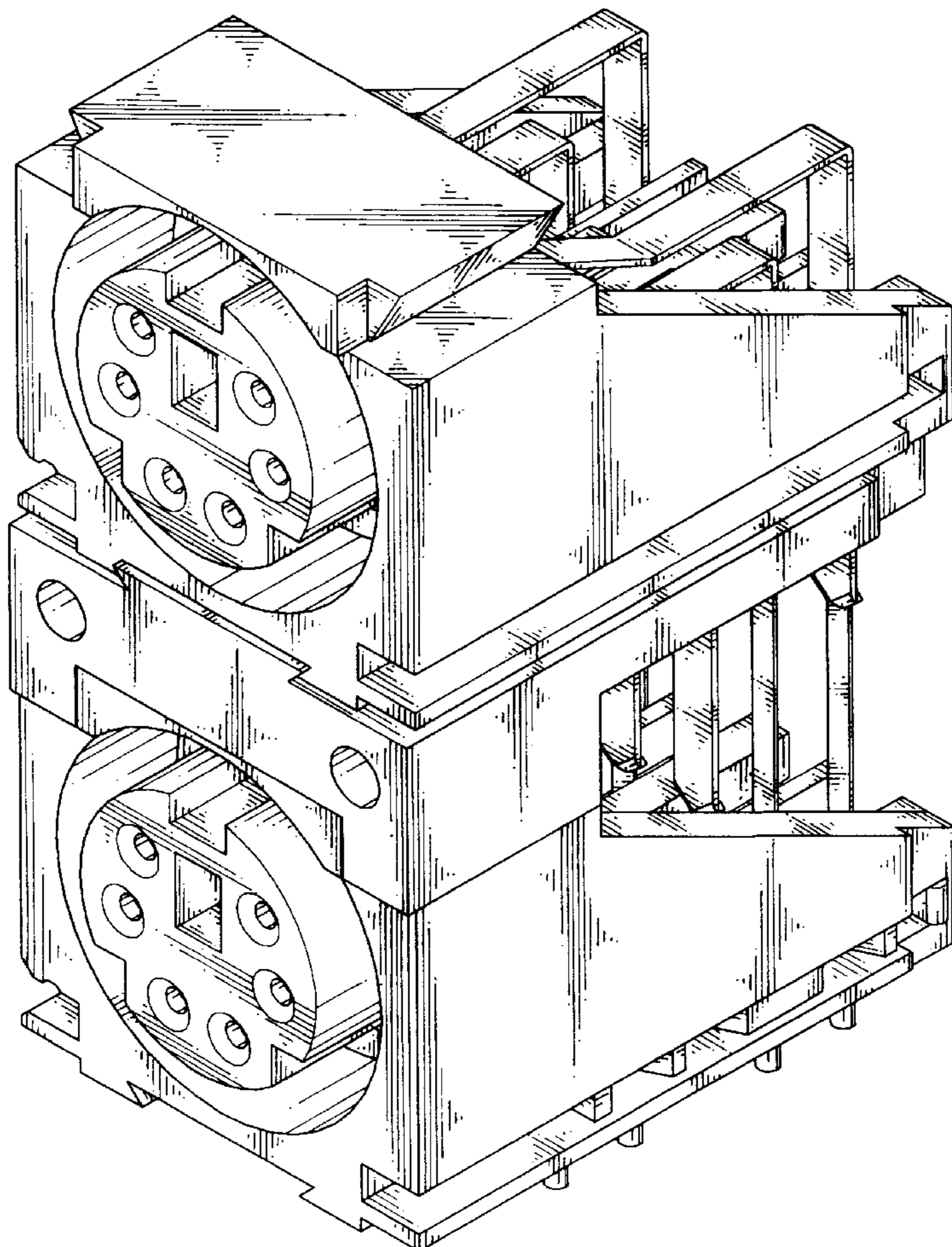
[57] **CLAIM**

The ornamental design for a stacked connector assembly, as shown.

DESCRIPTION

FIG. 1 is a front-right-top perspective view of a stacked connector assembly showing our new design; FIG. 2 is a front elevational view thereof; FIG. 3 is a rear elevational view thereof; FIG. 4 is a right side elevational view thereof; FIG. 5 is a left side elevational view thereof; FIG. 6 is a top plan view thereof; and, FIG. 7 is a bottom plan view thereof.

1 Claim, 7 Drawing Sheets



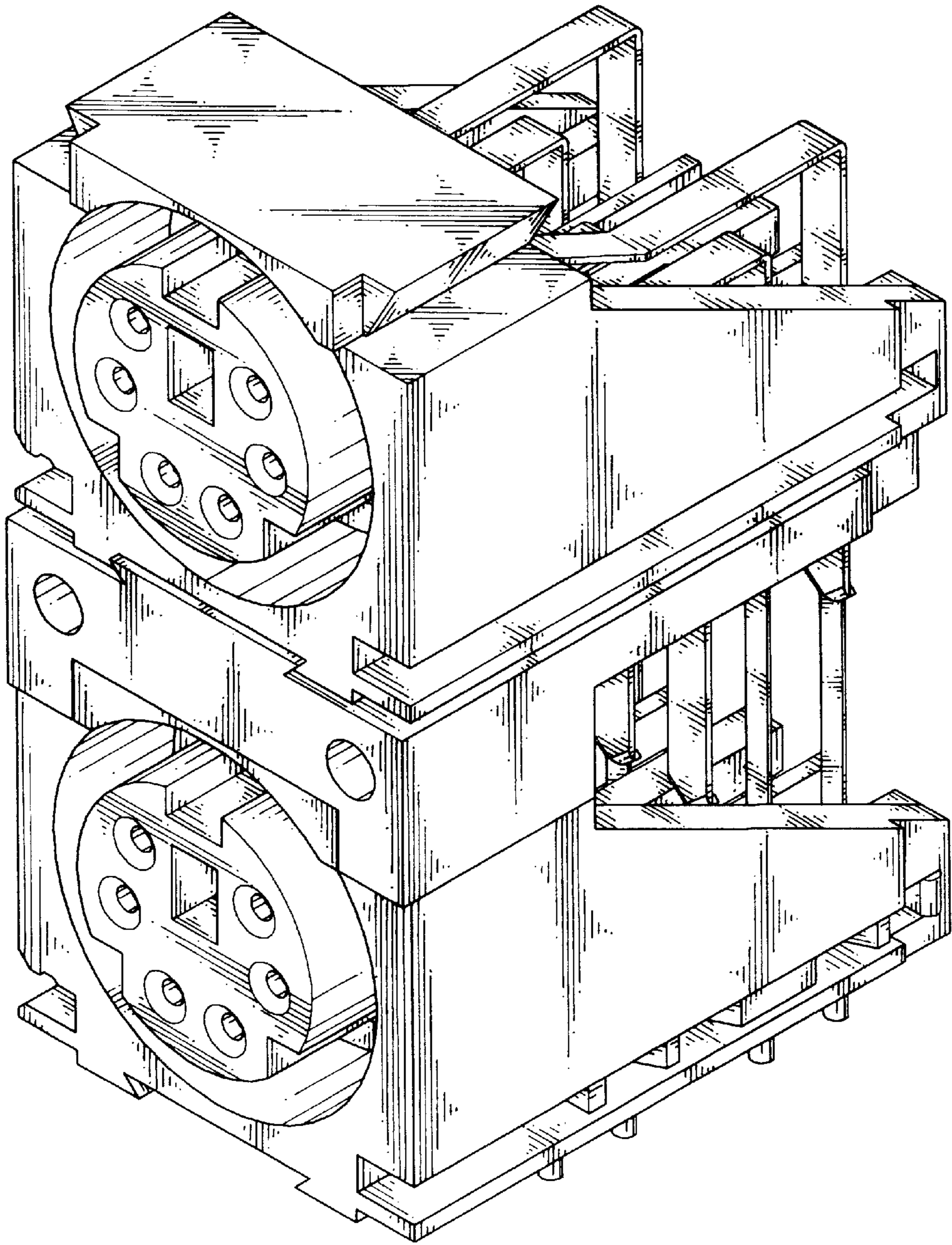


FIG. 1

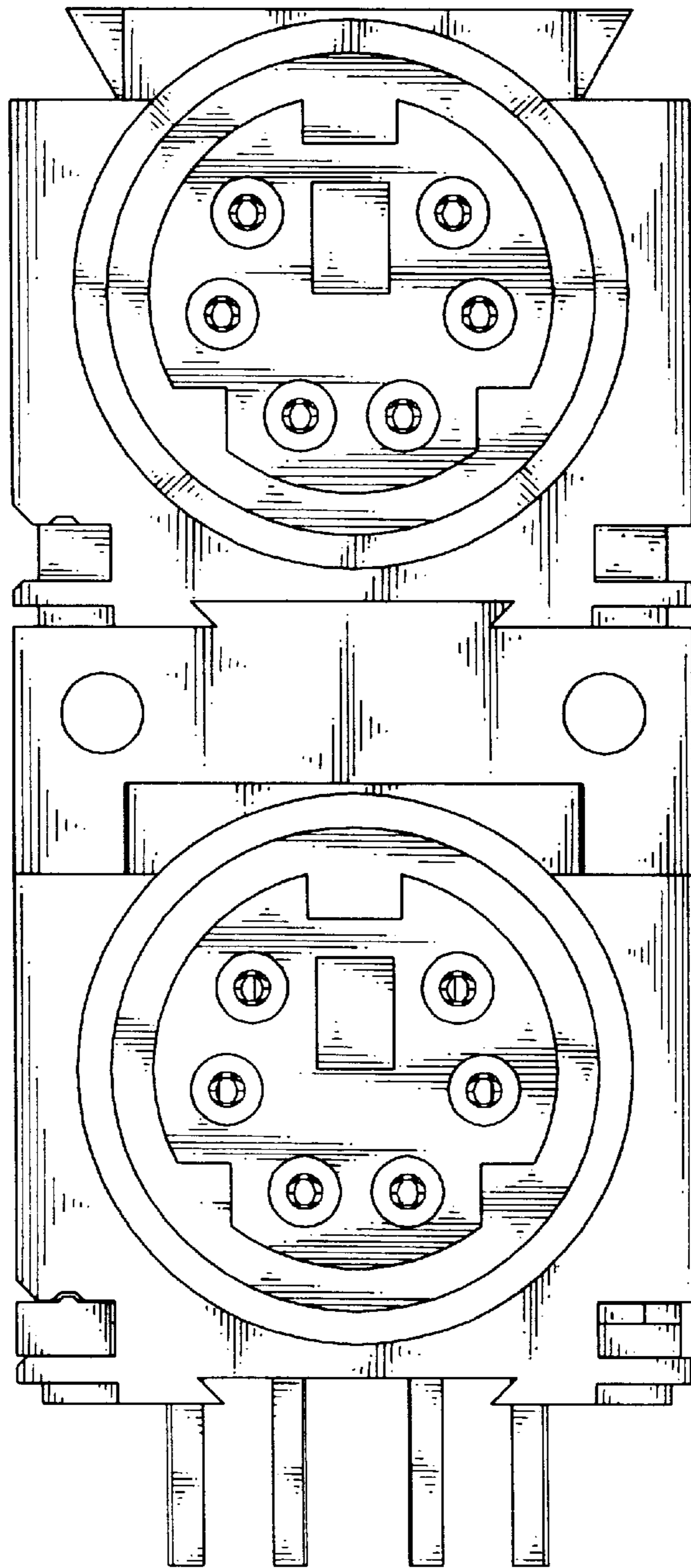


FIG. 2

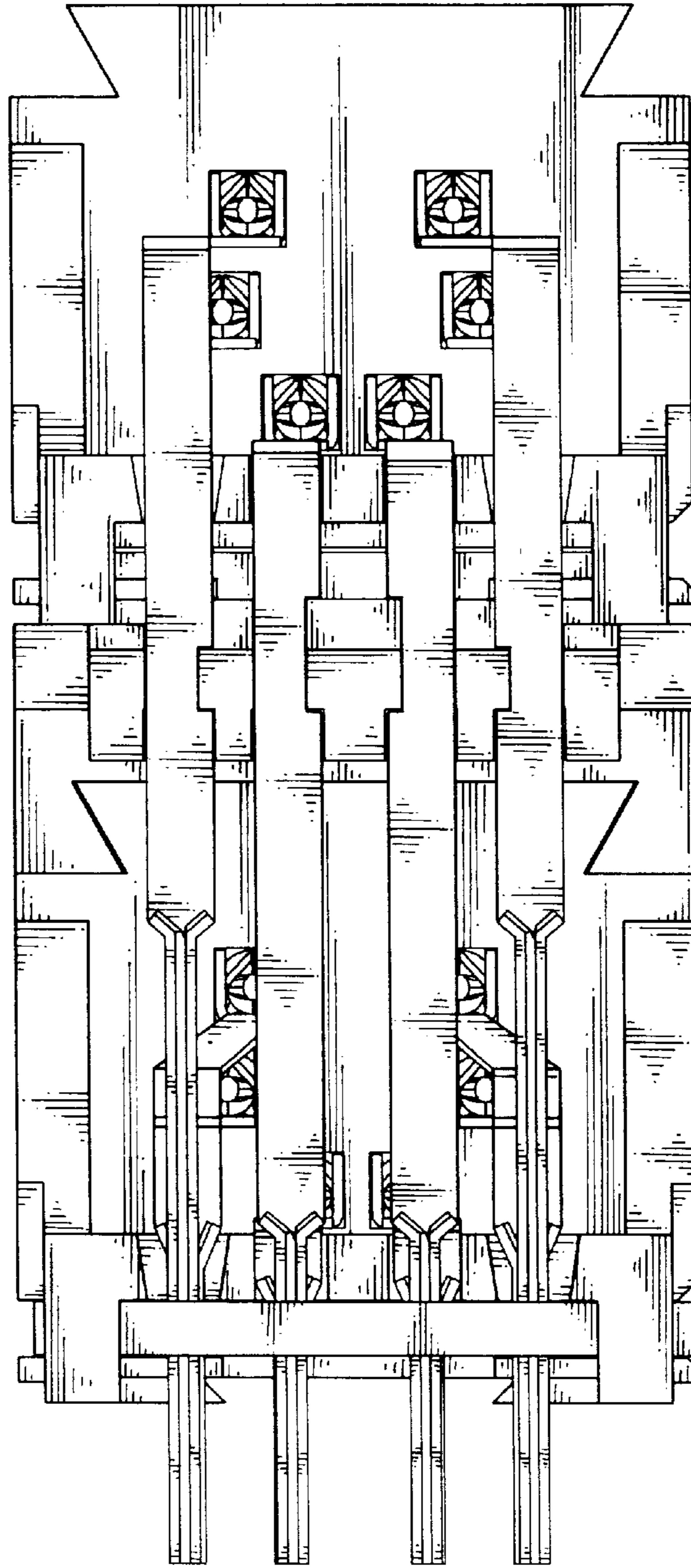


FIG. 3

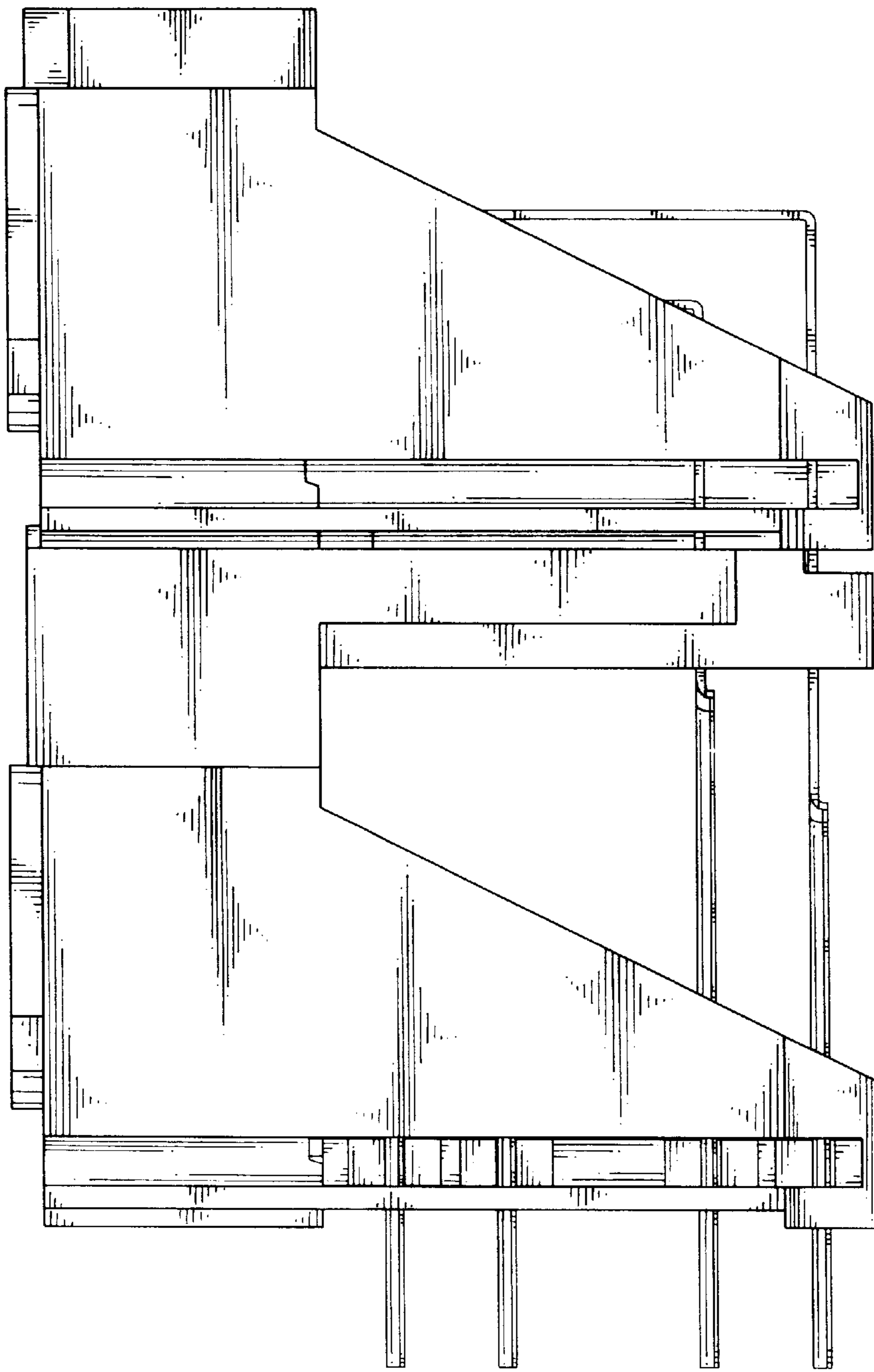


FIG. 4

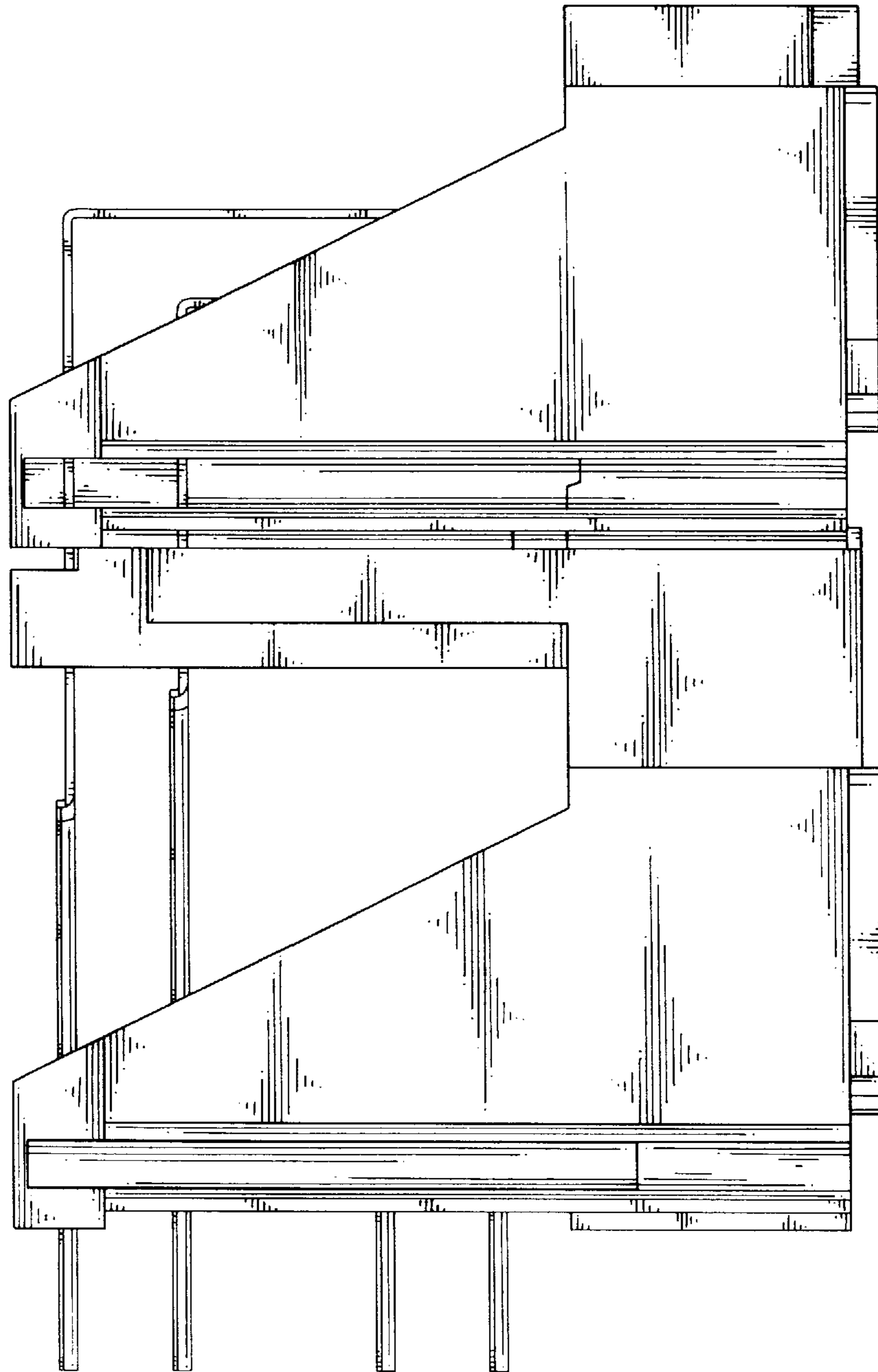


FIG. 5

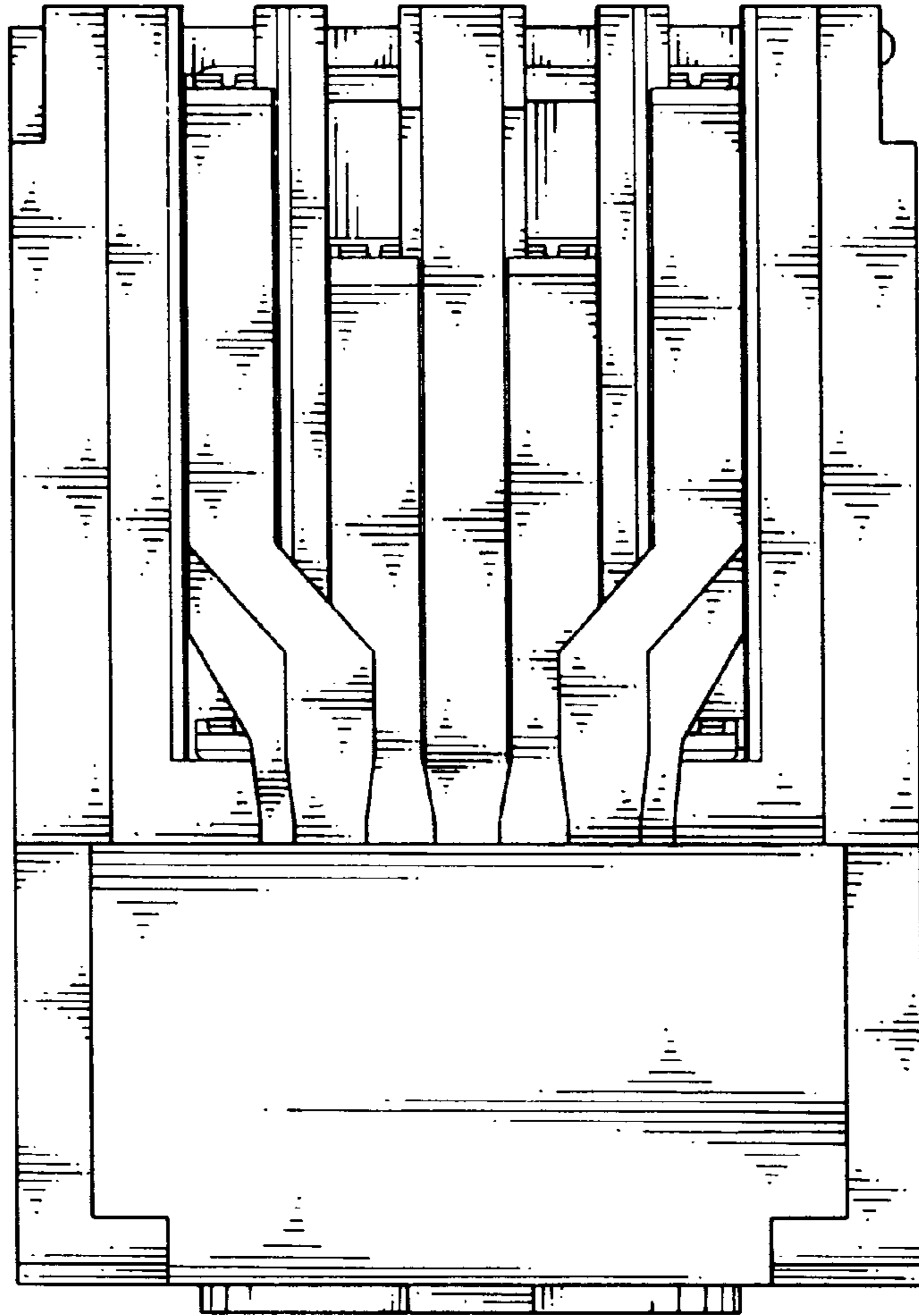


FIG. 6

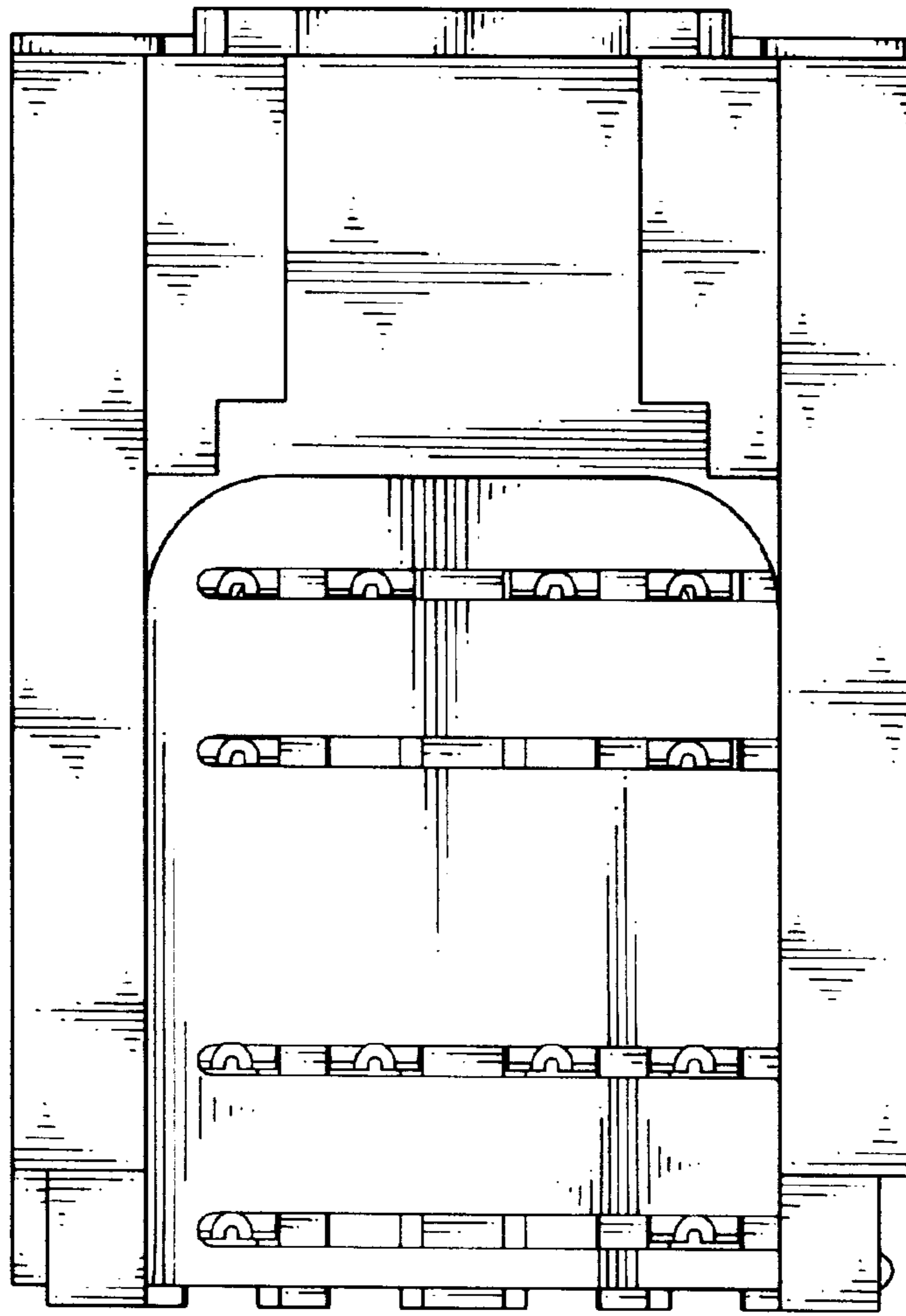


FIG. 7