



US00D421417S

United States Patent [19]
Weidhase

[11] **Patent Number: Des. 421,417**
[45] **Date of Patent: ** Mar. 7, 2000**

[54] **FRONT FACE OF A VEHICLE WHEEL**

[75] **Inventor: Ulf Weidhase, Garching, Germany**

[73] **Assignee: Bayerische Motoren Werke
Aktiengesellschaft, Germany**

[**] **Term: 14 Years**

[21] **Appl. No.: 29/100,893**

[22] **Filed: Feb. 19, 1999**

[30] **Foreign Application Priority Data**

Aug. 19, 1998 [DE] Germany 498 08 412

[51] **LOC (6) Cl. 12-16**

[52] **U.S. Cl. D12/209**

[58] **Field of Search D12/204-213;
301/64.1, 65, 37.1**

[56] **References Cited**

U.S. PATENT DOCUMENTS

D. 267,564	1/1983	Wright	D12/211
D. 361,547	8/1995	Weld	D12/211
D. 368,885	4/1996	Wagner	D12/209
D. 379,612	6/1997	Honarkhah	D12/209
D. 380,432	7/1997	Hettler	D12/209

D. 384,025	9/1997	Roesianto	D12/209
D. 391,215	2/1998	Cervati	D12/209
D. 391,543	3/1998	Renkert	D12/209
D. 392,611	3/1998	Echazabal et al.	D12/211
D. 398,573	9/1998	Cattaneo	D12/211
D. 407,364	3/1999	Fisker	D12/209
D. 407,680	4/1999	Bhambra	D12/209
D. 408,343	4/1999	Sacco et al.	D12/209
D. 410,618	6/1999	Hussaini et al.	D12/211
D. 412,692	8/1999	Hussaini	D12/209

Primary Examiner—Doris V. Coles
Assistant Examiner—Stacia Sinuik
Attorney, Agent, or Firm—Evenson, McKeown, Edwards & Lenahan, P.L.L.C.

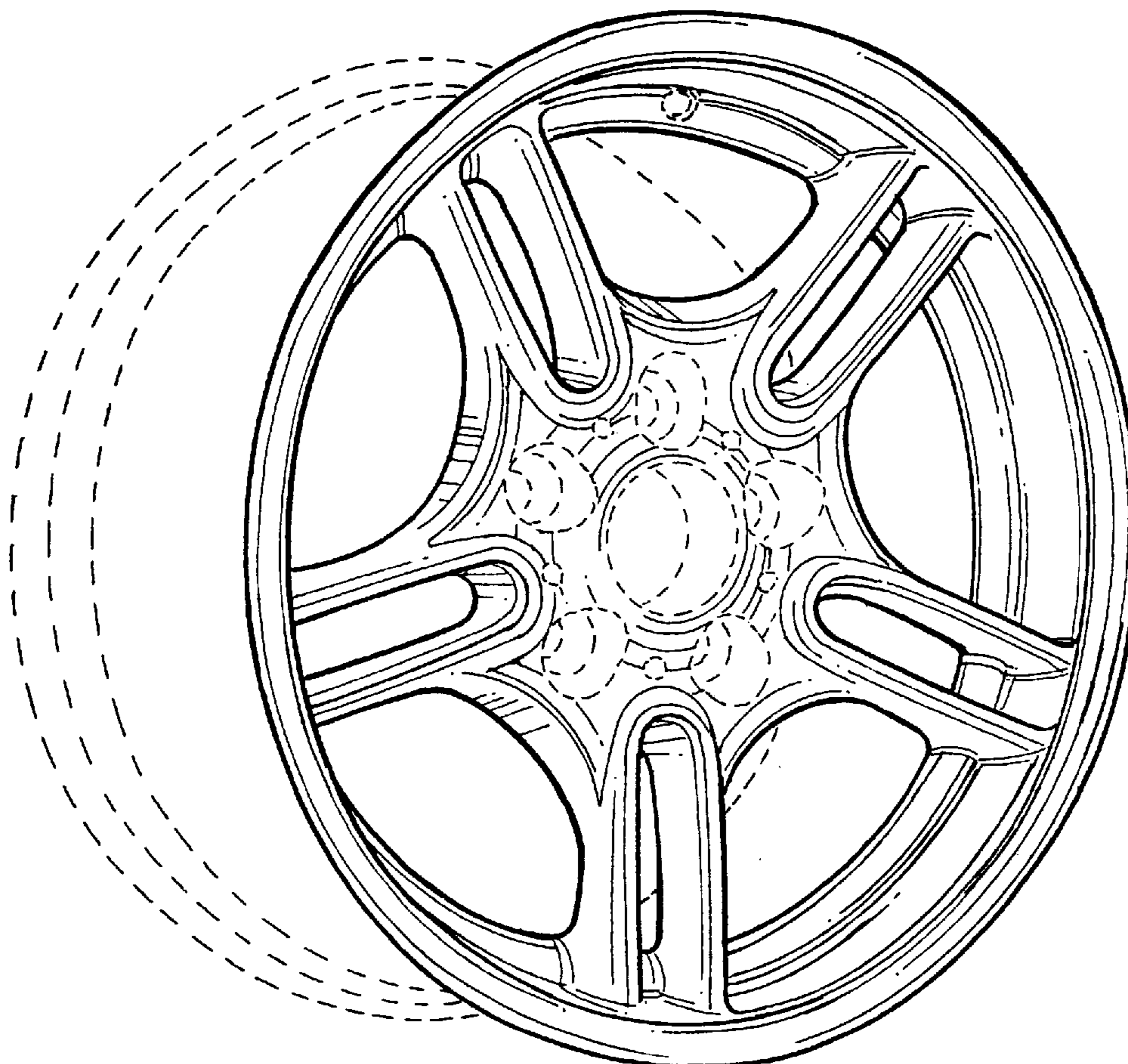
[57] **CLAIM**

The ornamental design for a front face of a vehicle wheel, as shown and described.

DESCRIPTION

FIG. 1 is a front view of a front face of a vehicle wheel according to my novel design; and, FIG. 2 is a perspective view from the front side of a front face of a vehicle wheel according to my novel design. The dash line included depicts environment and is not part of the claimed design.

1 Claim, 1 Drawing Sheet



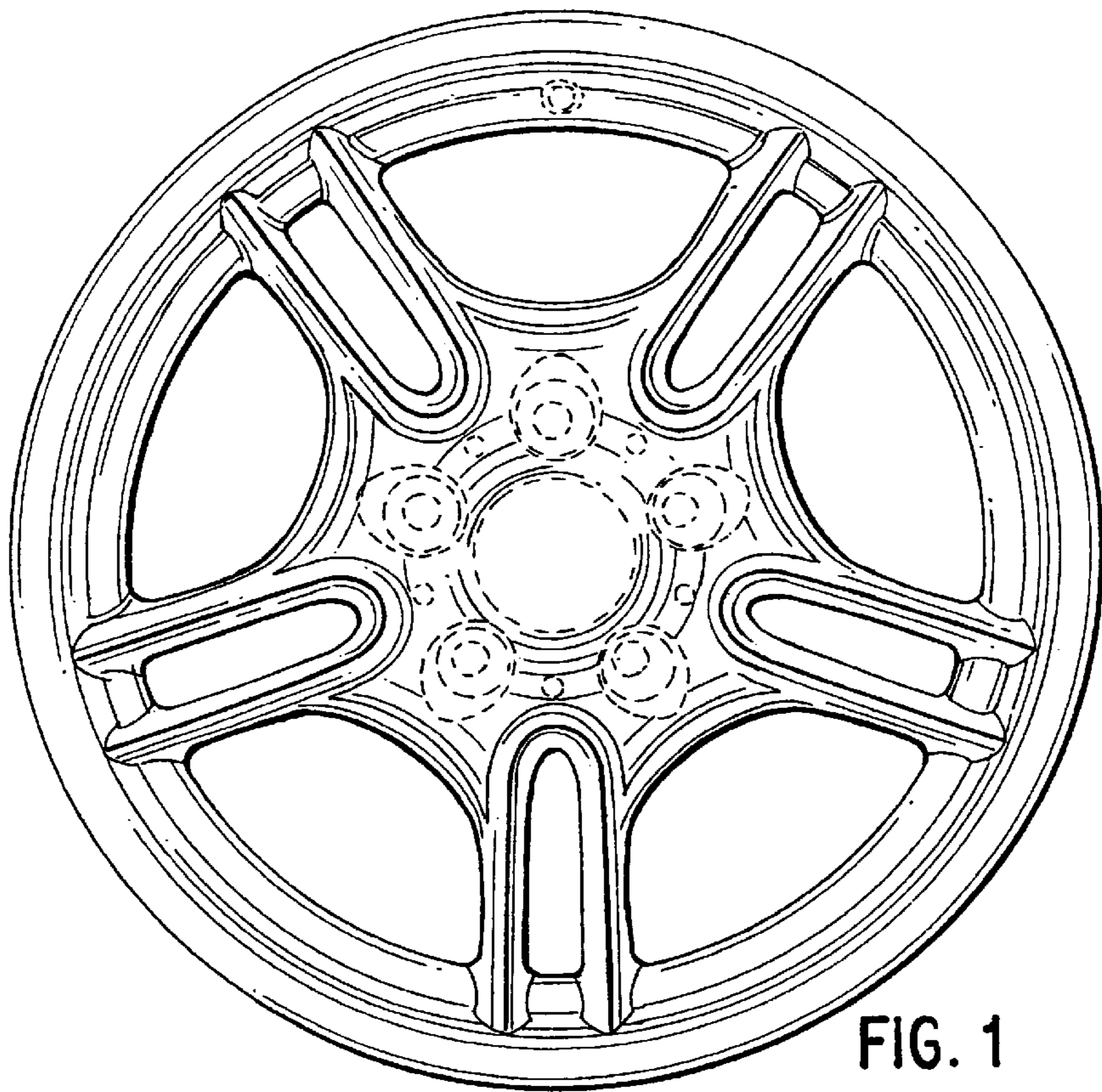


FIG. 1

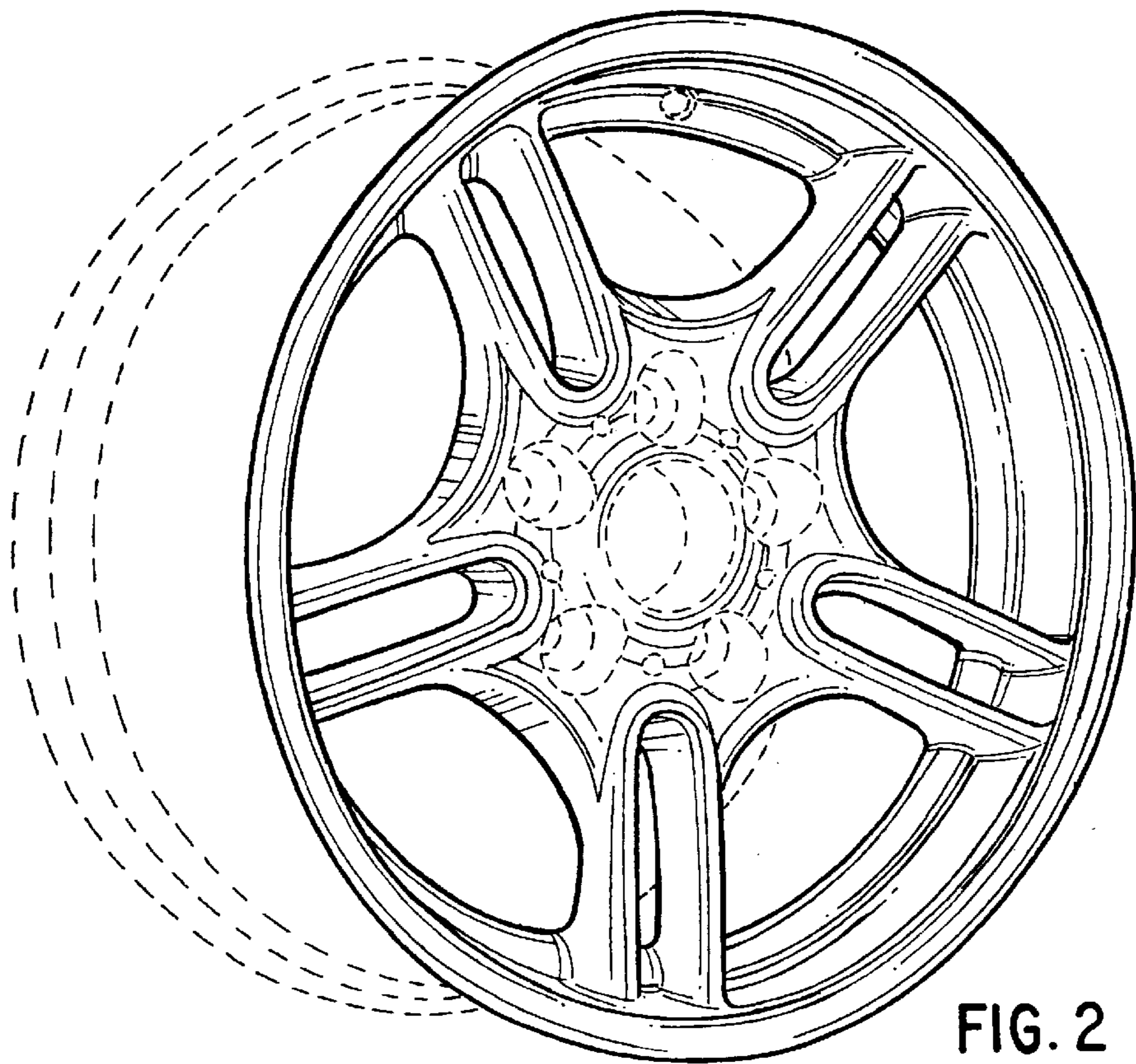


FIG. 2