



US00D421416S

# United States Patent [19]

Edwards et al.

[11] Patent Number: Des. 421,416

[45] Date of Patent: \*\* Mar. 7, 2000

## [54] TIRE TREAD

[75] Inventors: **Everett J. Edwards**, Stow; **James G. Guspodin**, Akron, both of Ohio

[73] Assignee: **Bridgestone/Firestone Research, Inc.**, Akron, Ohio

[\*\*] Term: **14 Years**

[21] Appl. No.: **29/099,924**

[22] Filed: **Jan. 29, 1999**

[51] **LOC (6) Cl.** ..... **12-15**

[52] **U.S. Cl.** ..... **D12/147**

[58] **Field of Search** ..... D12/138-152;  
152/209.1, 209.8, 209.9, 209.11, 209.16,  
209.18, 209.28, 900, 901, 902, 903

## [56] References Cited

### U.S. PATENT DOCUMENTS

D. 311,889	11/1990	Guermadi et al. ....	D12/146
D. 368,245	3/1996	Miyazaki .....	D12/147
D. 373,338	9/1996	Attinello et al. ....	D12/146
D. 379,785	6/1997	Galante et al. ....	D12/146
D. 379,791	6/1997	Heinen et al. ....	D12/147
D. 380,711	7/1997	McKisson .....	D12/147
D. 384,609	10/1997	Gillard et al. ....	D12/146
D. 384,615	10/1997	Lim et al. ....	D12/147
D. 385,516	10/1997	Williams et al. ....	D12/146
D. 387,311	12/1997	Park et al. ....	D12/147
D. 395,264	6/1998	Blankenship et al. ....	D12/146
5,658,404	8/1997	Brown et al. ....	152/290 A

## OTHER PUBLICATIONS

Goodyear Unisteel G362 Tire, 1997 Tread Design Guide, p. 143. 2/3, Jan. 1997.

Kumho 716 ECSTA HP4 "H" Tire, Tire Review Magazine, p. 46, Jun. 1997.

*Primary Examiner*—Robert M. Spear

*Attorney, Agent, or Firm*—John M. Vasuta; Michael Sand

## [57] CLAIM

The ornamental design for a tire tread, as shown and described.

## DESCRIPTION

FIG. 1 is a side perspective view of a tire tread showing our new design, it being understood that the tread pattern is repeated throughout the circumference of the tire tread, the opposite side being the same as that shown;

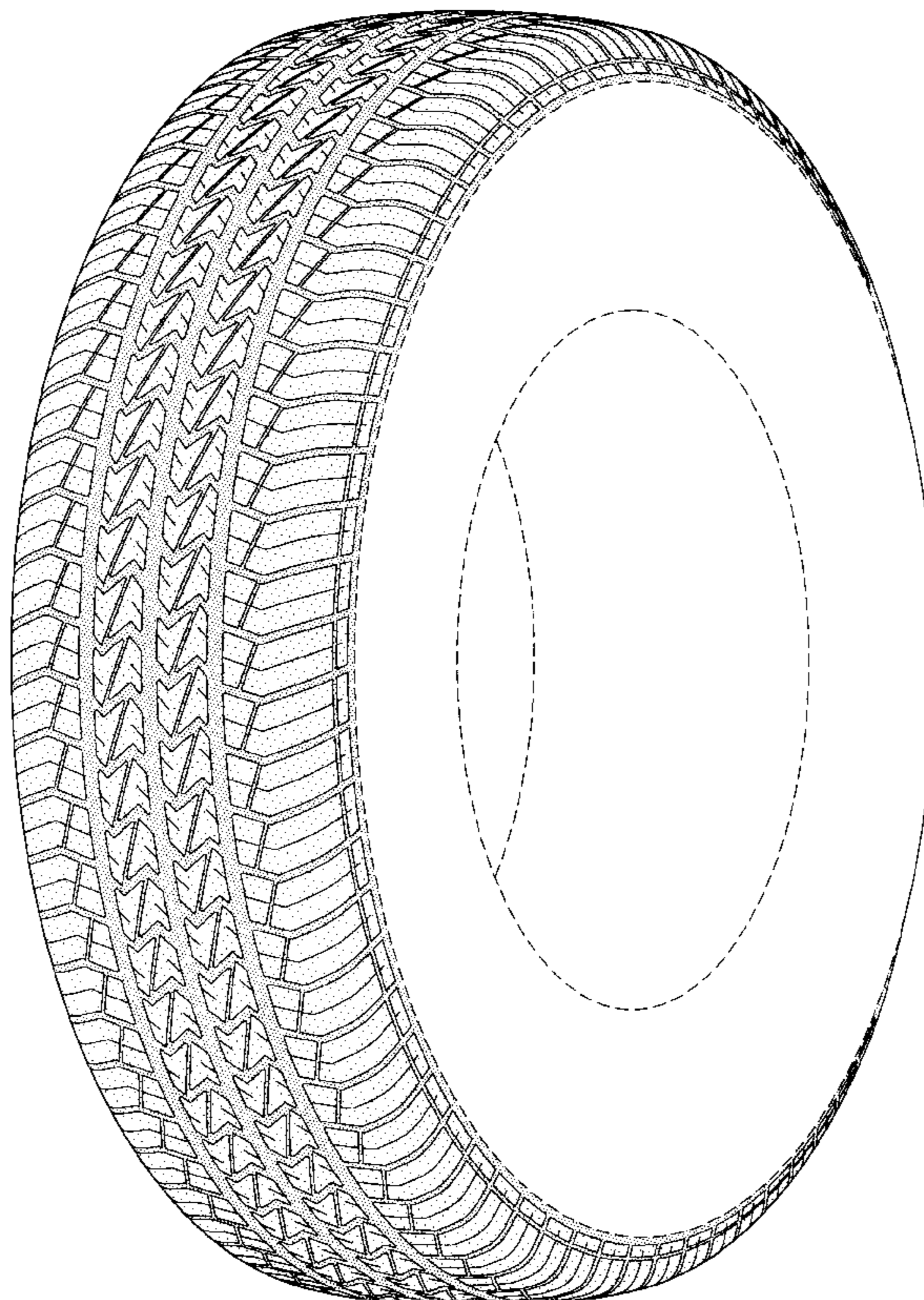
FIG. 2 is a front elevational view thereof;

FIG. 3 is a side elevational view of the right side thereof, the opposite side being identical thereto; and,

FIG. 4 is an enlarged fragmentary front elevational view thereof.

The dark stippled surface shading represents the recessed portion of the tread grooves, having a depth as best shown in FIG. 2; the broken lines defining the tire sidewall and inner bead and the peripheral boundary between the tire tread and sidewall are for illustrative purposes only and form no part of the claimed design.

**1 Claim, 4 Drawing Sheets**



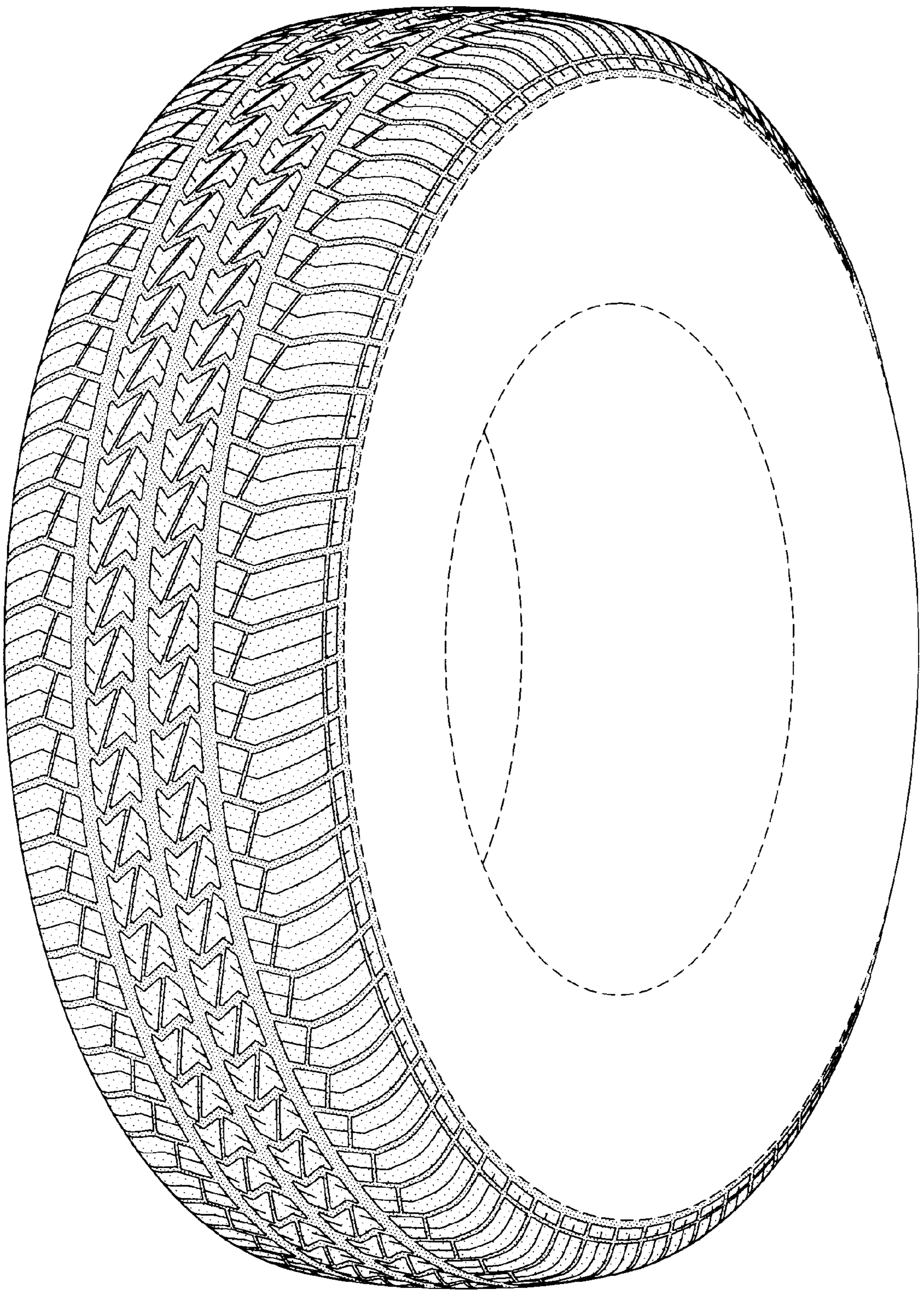


FIG-1

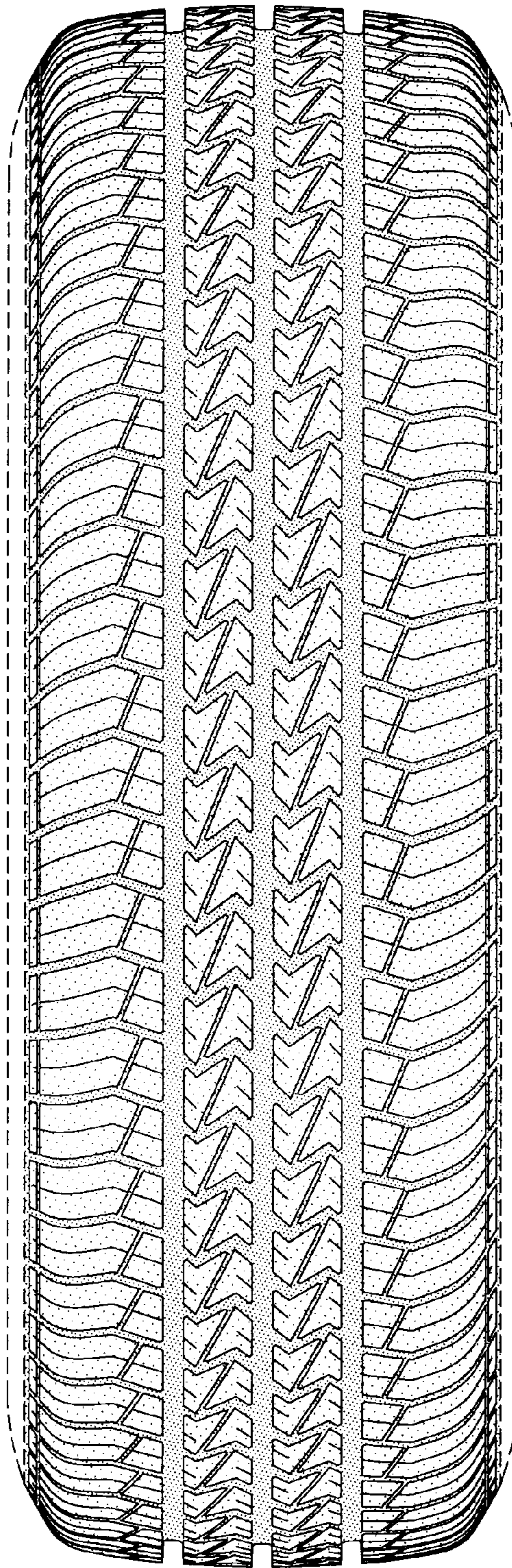


FIG-2

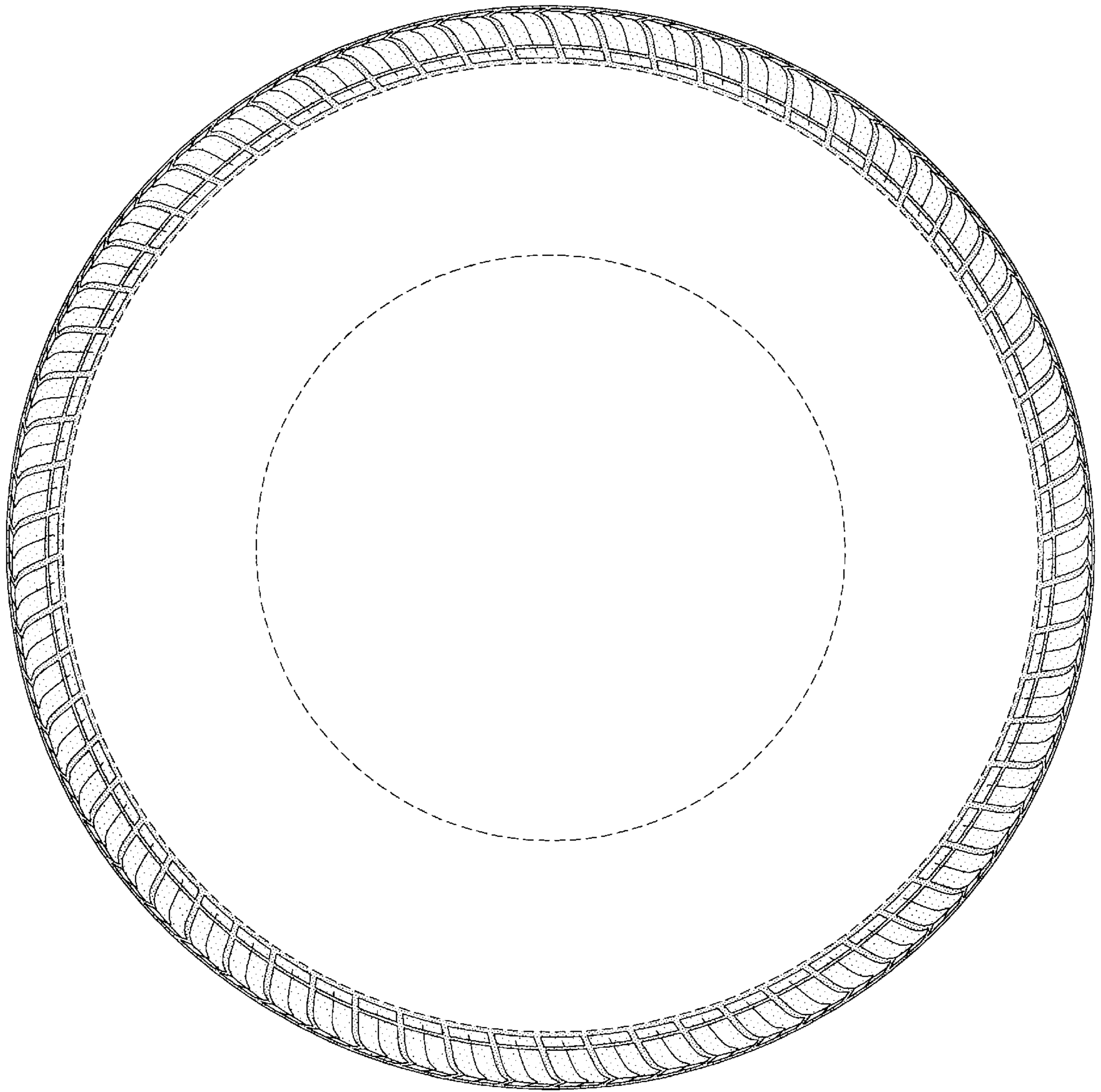


FIG-3

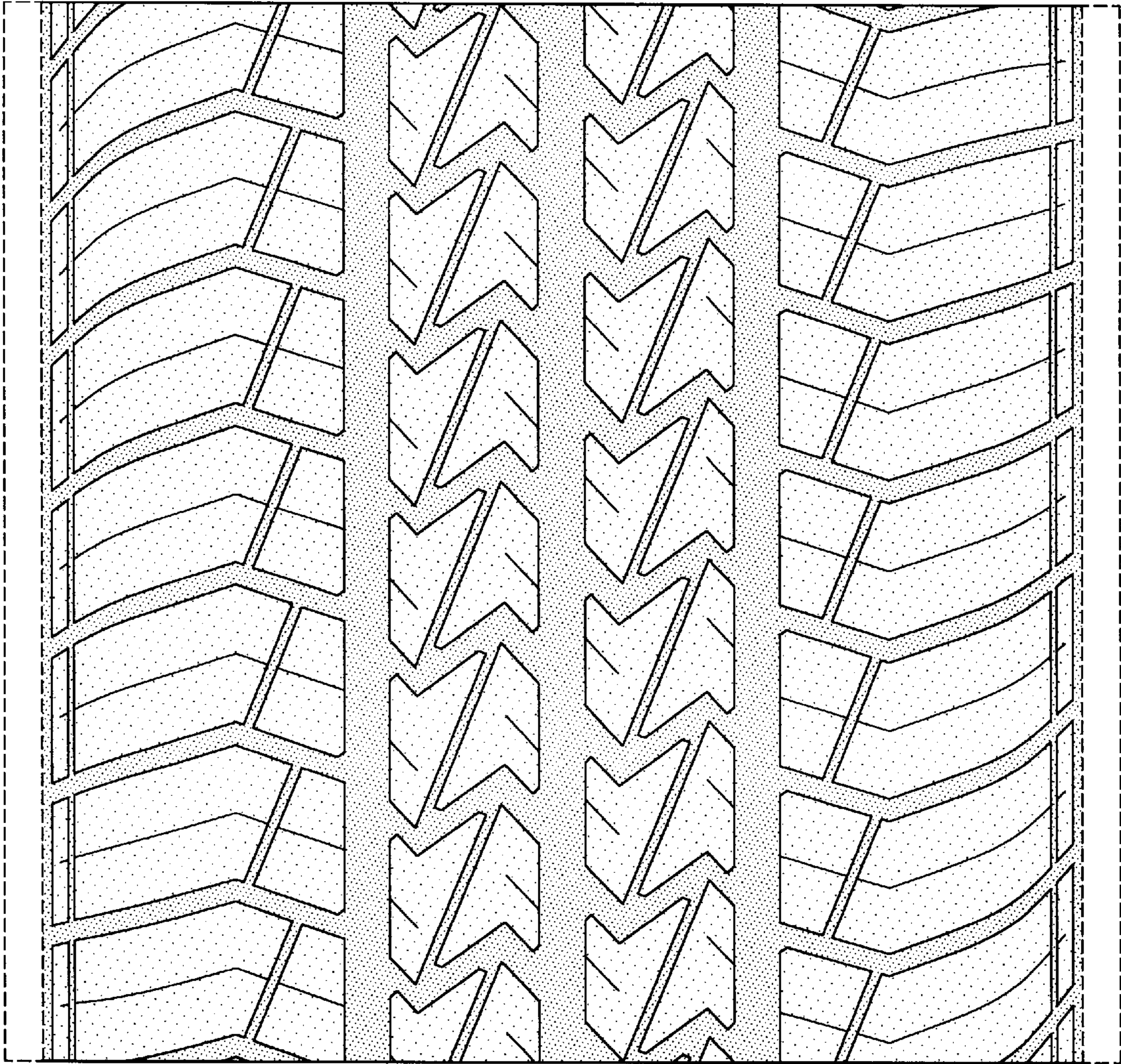


FIG-4