



US00D421412S

United States Patent [19]

Sutton et al.

[11] Patent Number: Des. 421,412

[45] Date of Patent: ** Mar. 7, 2000

[54] EXTERIOR OF A TRUCK CAB

[75] Inventors: **Robert A. Sutton**, Clarkston; **John B. Delphia**, White Lake; **Robert W. Anderson**, Detroit, all of Mich.

[73] Assignee: **Navistar International Transportation Corp**, Chicago, Ill.

[**] Term: **14 Years**

[21] Appl. No.: **29/082,840**

[22] Filed: **Jan. 28, 1998**

[51] **LOC (6) Cl.** **12-16**

[52] **U.S. Cl.** **D12/96**

[58] **Field of Search** D12/96, 97, 196;
296/27, 190, 180.1, 180.2; 180/89.12-89.14,
89.16

[56] References Cited

U.S. PATENT DOCUMENTS

D. 306,421	3/1990	Allendorph et al. .	
D. 306,714	3/1990	Allendorph .	
D. 307,126	4/1990	Allendorph et al. .	
D. 328,273	7/1992	McGrew et al. .	
D. 335,272	5/1993	Allendorph et al. .	
D. 385,223	10/1997	Marlowe et al.	D12/96
D. 391,908	3/1998	Allendorph et al. .	
D. 403,620	1/1999	Abalos et al.	D12/96
4,957,322	9/1990	Marlowe et al.	296/180.2

OTHER PUBLICATIONS

Brochure AD-43656A from Navistar International Transportation Corp. 1996.

Primary Examiner—Melody N. Brown
Attorney, Agent, or Firm—Jeffrey P. Calfa; Dennis K. Sullivan

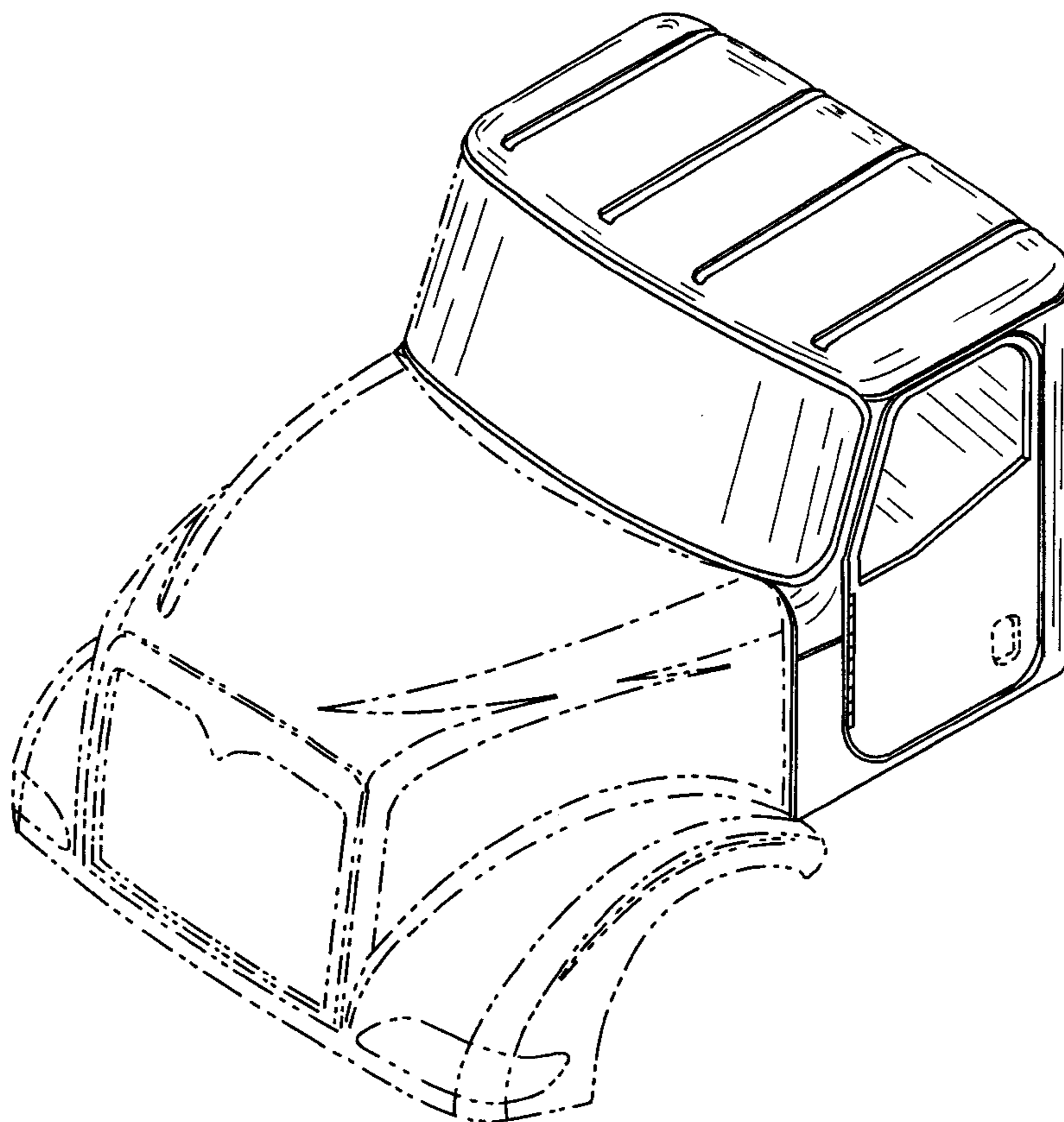
[57] CLAIM

The ornamental design for an exterior of a truck cab, as shown and described.

DESCRIPTION

FIG. 1 is a left, front perspective view of an exterior of a truck cab showing our new design, it may be understood that the broken lines on all figures are for illustrative purposes only and form no part of the claimed design; FIG. 2 is a left side view of in FIG. 1; FIG. 3 is a right side view of in FIG. 1; FIG. 4 is a front view of in FIG. 1; FIG. 5 is a back view of FIG. 1; FIG. 6 is a top view of FIG. 1; FIG. 7 is a left side view of an exterior view of a truck cab showing a second embodiment of the our new design, with the top and rear portions removed and not being claimed as part of the design; FIG. 8 is a right side view of in FIG. 7; and, FIG. 9 is a front view of in FIG. 7.

1 Claim, 9 Drawing Sheets



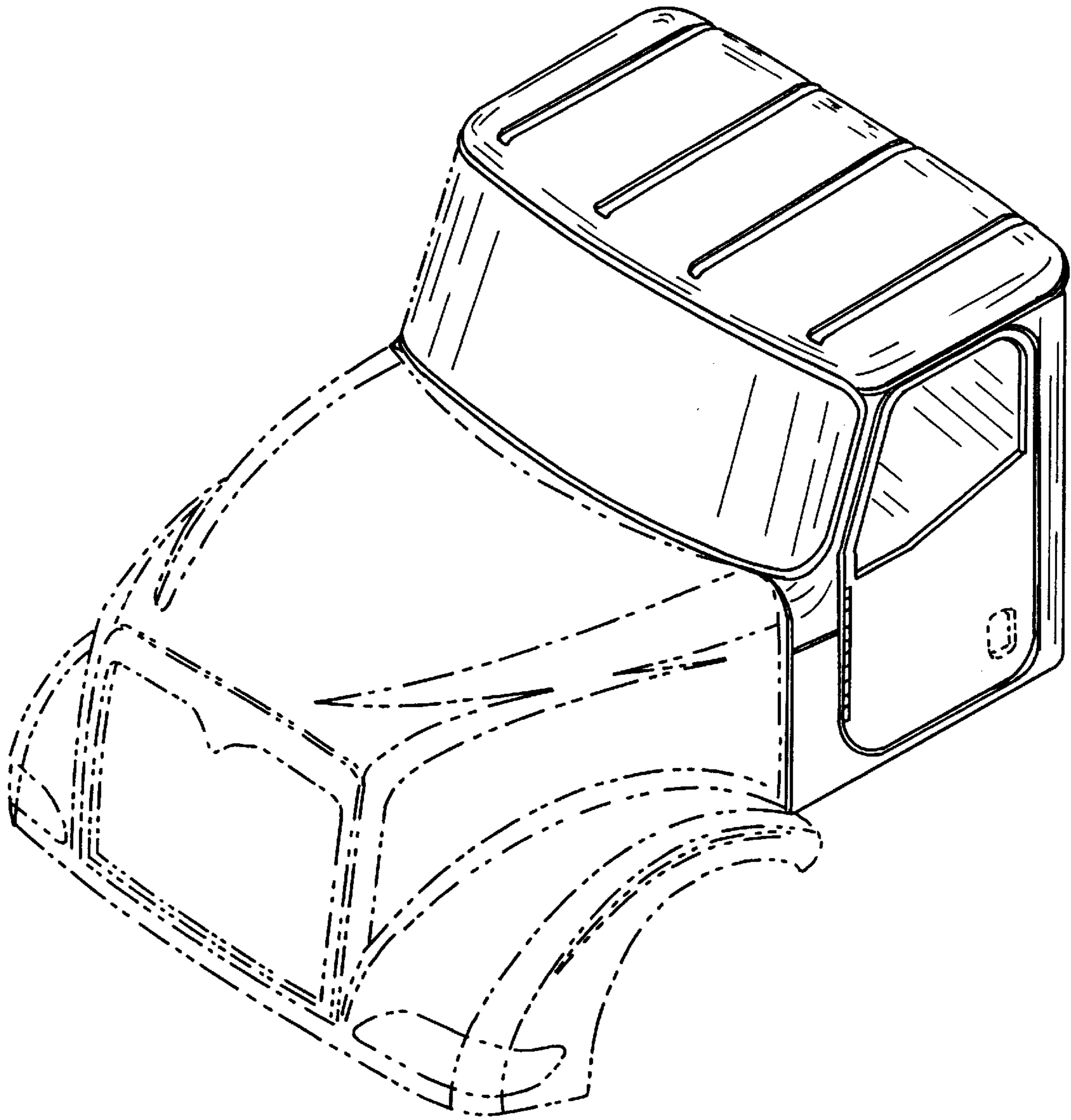


FIG. 1

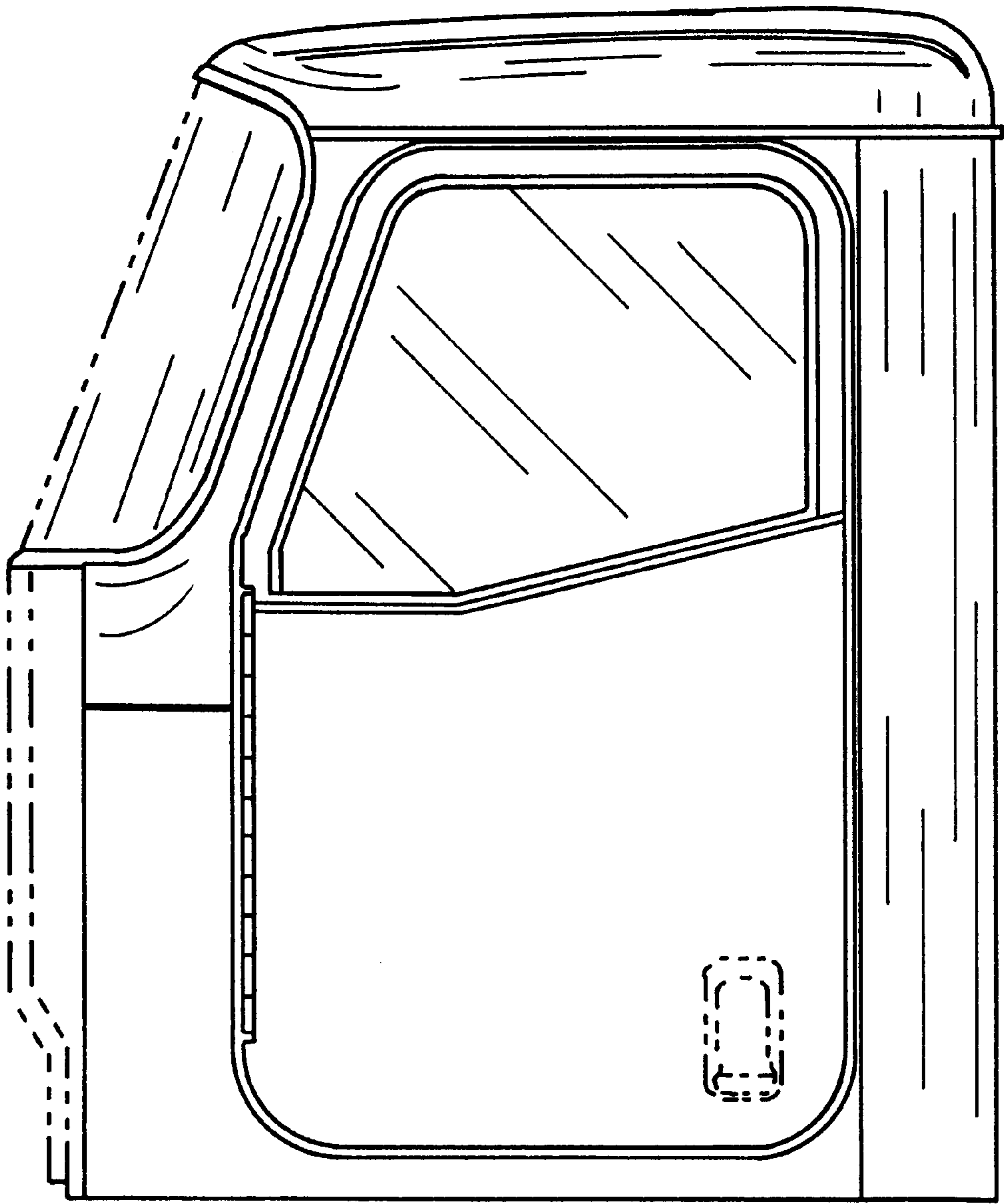


FIG. 2

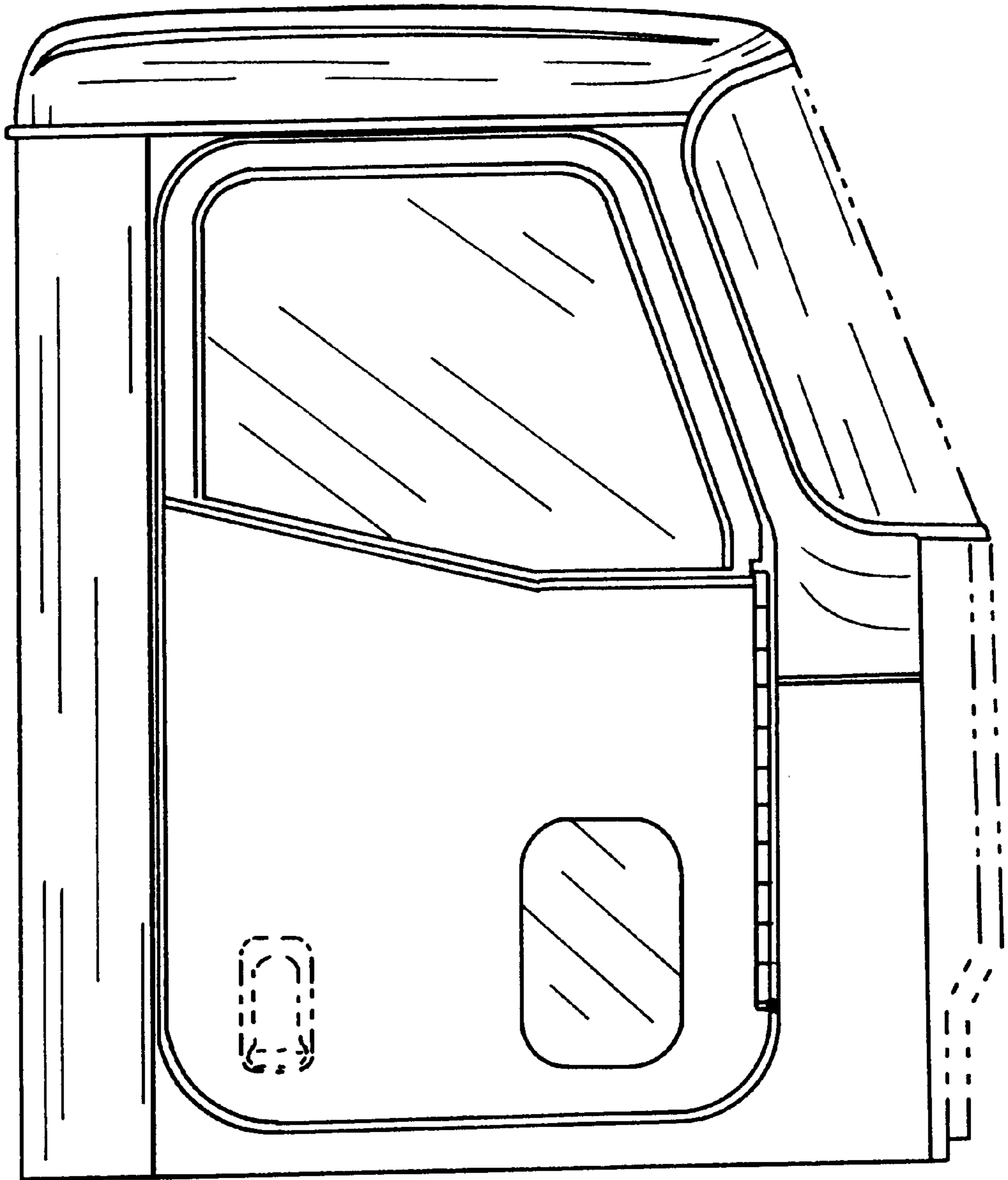


FIG. 3

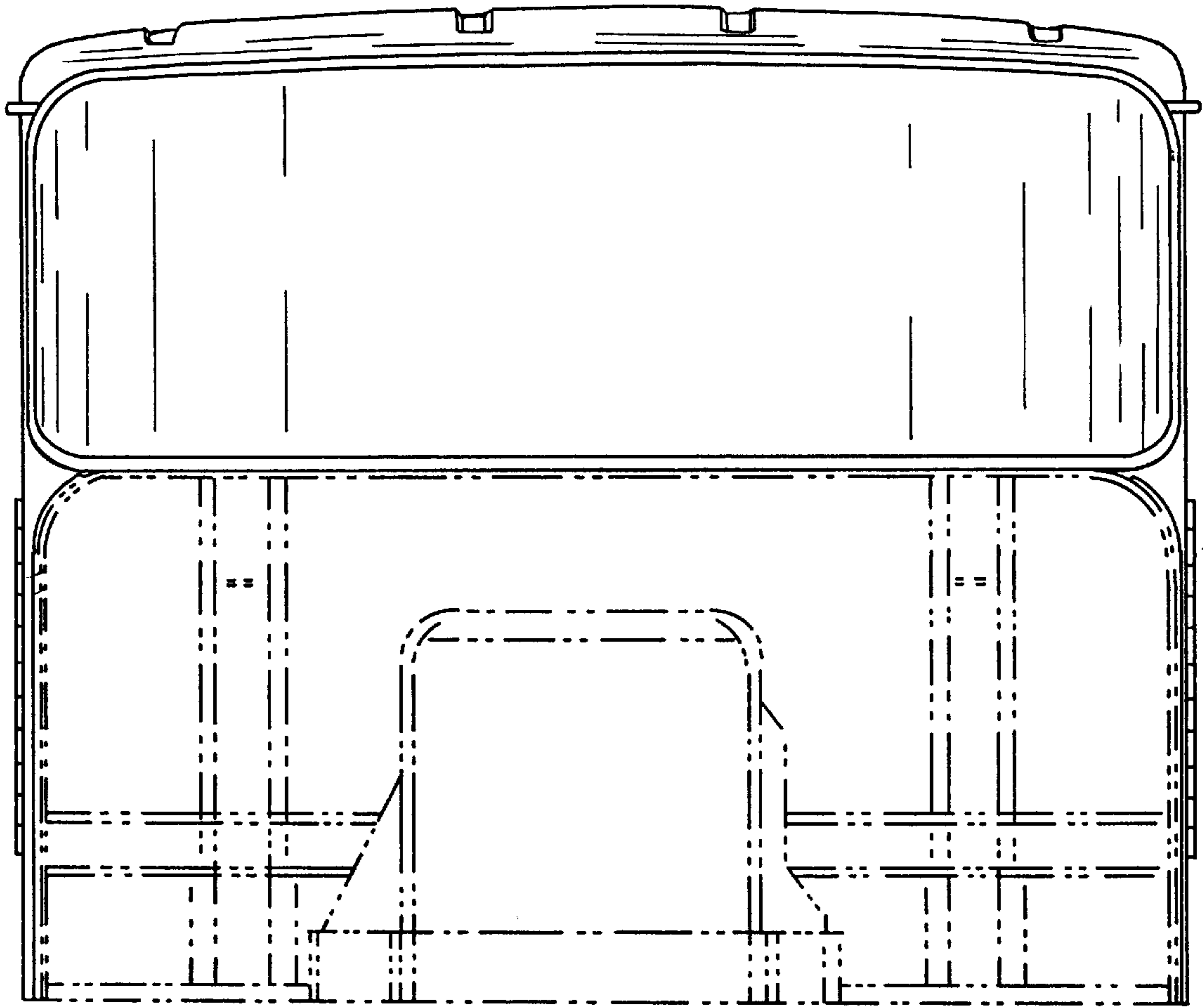


FIG. 4

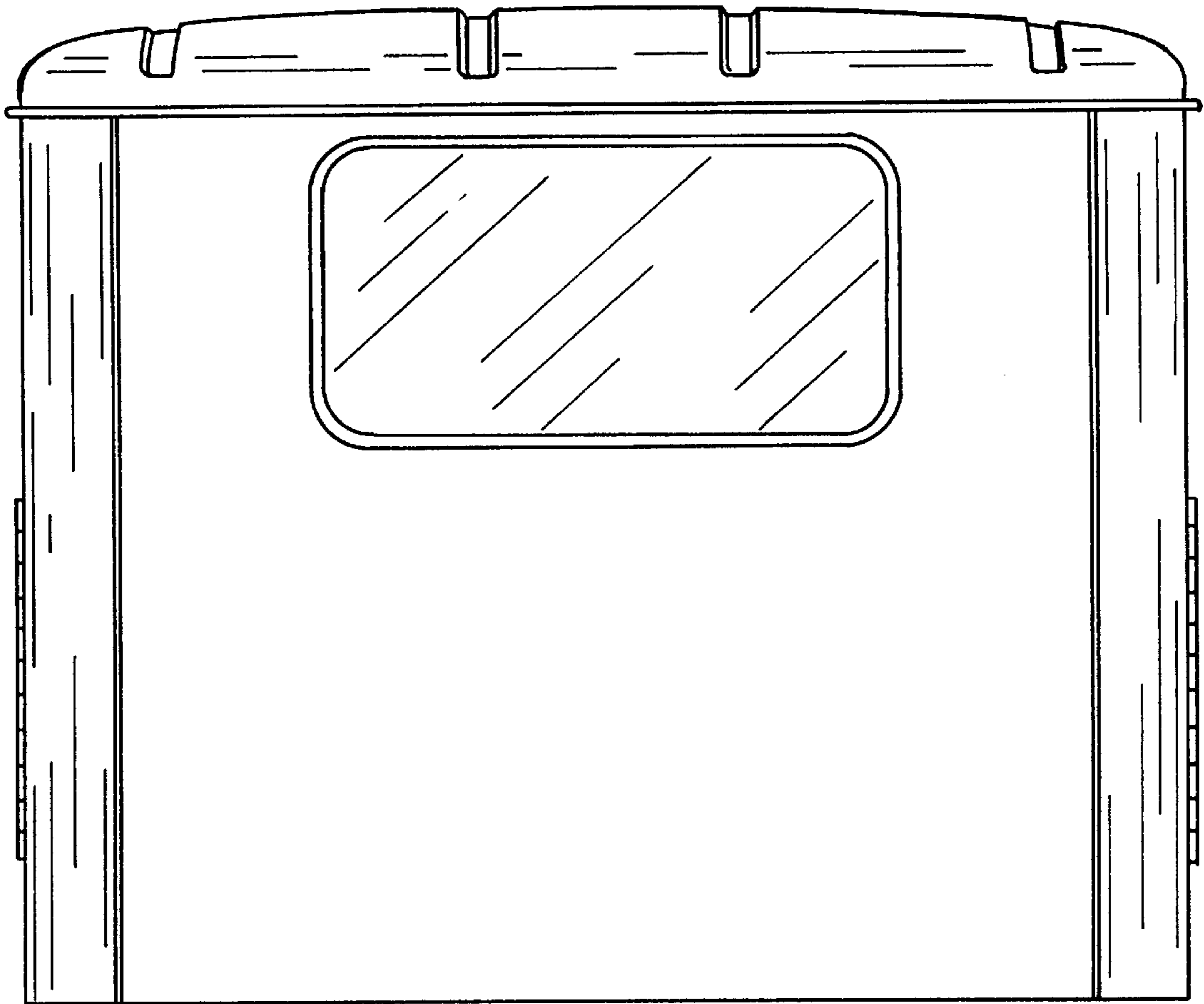


FIG. 5

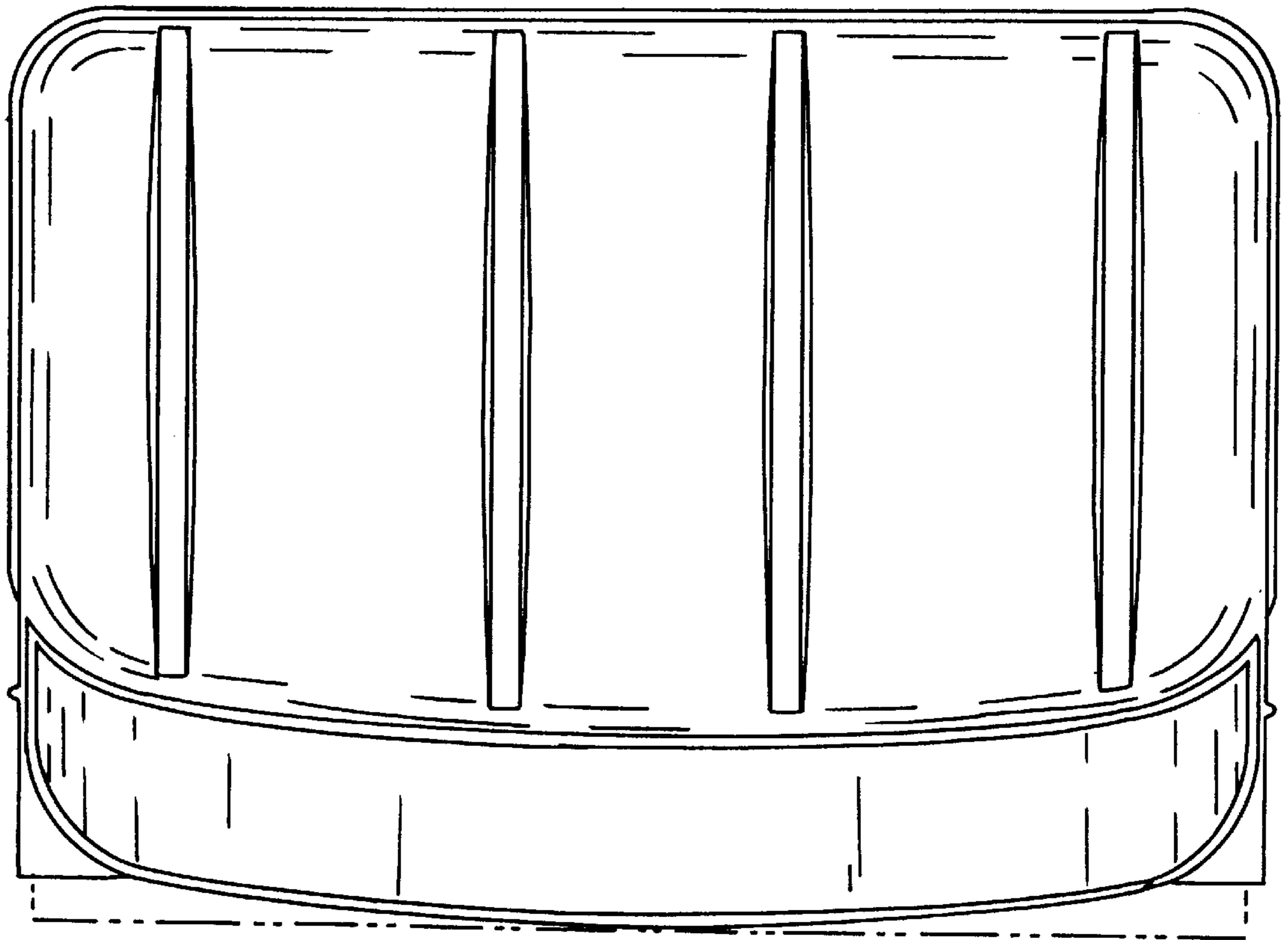


FIG. 6

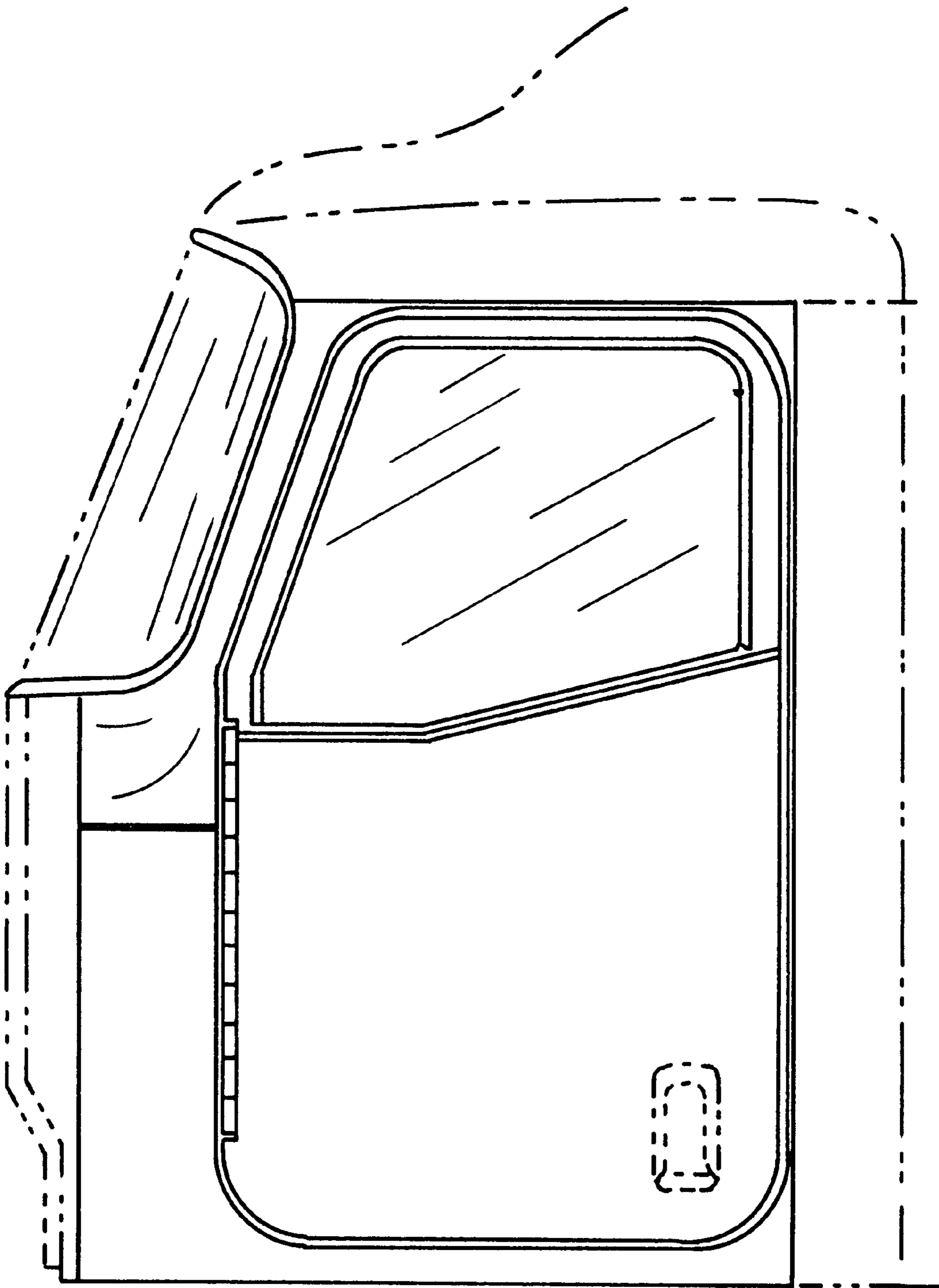


FIG. 7

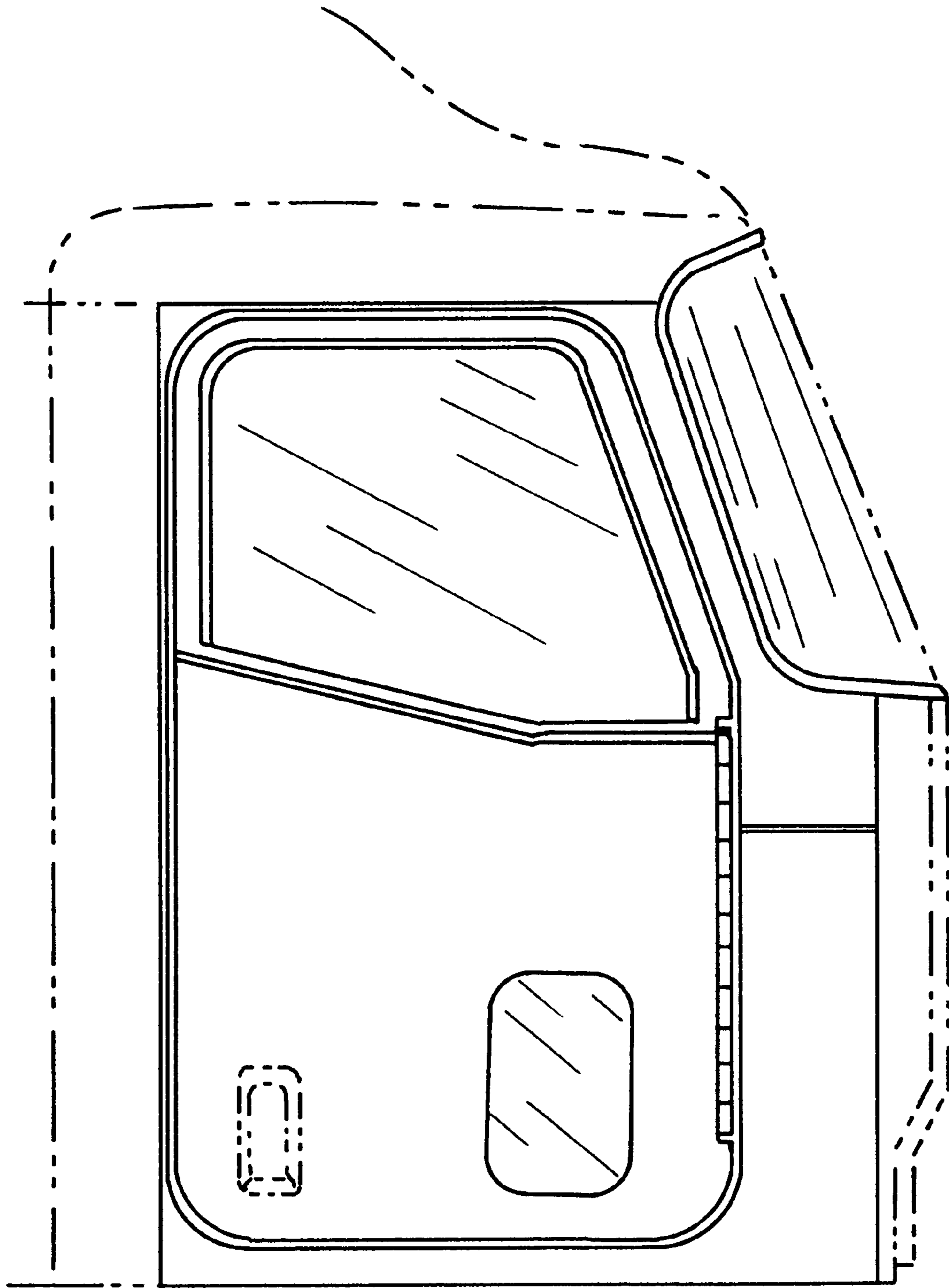


FIG. 8

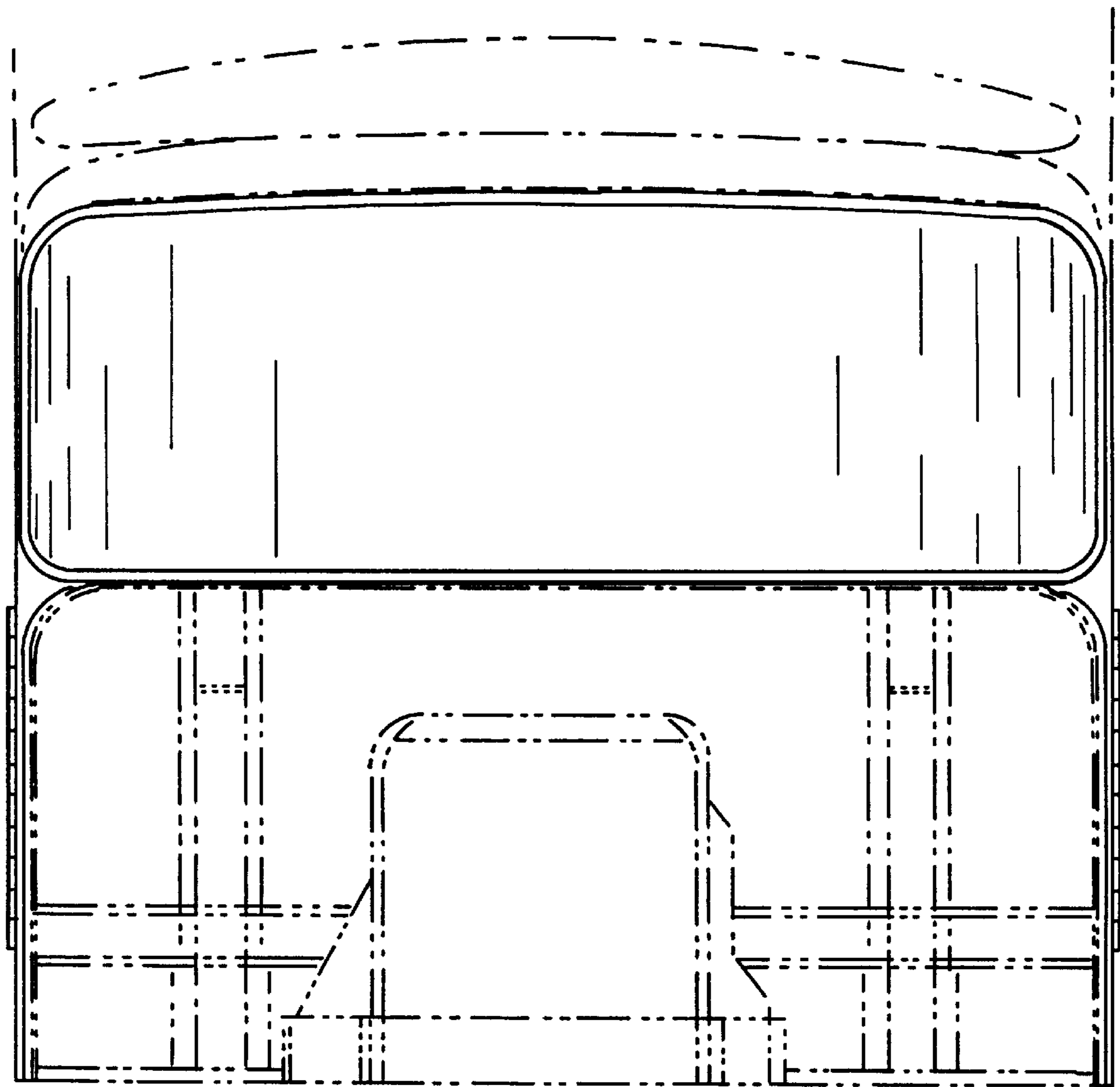


FIG. 9