



US00D421411S

United States Patent [19]

[11] **Patent Number: Des. 421,411**

Molzon et al.

[45] **Date of Patent: ** Mar. 7, 2000**

[54] **PERSONNEL AND CARGO CARRIER**

OTHER PUBLICATIONS

[75] Inventors: **William R. Molzon**, Clarkston, Mich.;
Walter C. Feldbusch, Jr., North
Augusta, Ga.

E-Z-GO brochure for Japan, Sep. 1991, 8 pages.

[73] Assignee: **Textron, Inc.**, Providence, R.I.

Primary Examiner—Melody N. Brown
Attorney, Agent, or Firm—Perman & Green, LLP

[**] Term: **14 Years**

[57] **CLAIM**

[21] Appl. No.: **29/097,781**

The ornamental design of a personnel and cargo carrier, as shown and described.

[22] Filed: **Dec. 14, 1998**

DESCRIPTION

[51] **LOC (6) Cl.** **12-08**

[52] **U.S. Cl.** **D12/82; D12/1; D12/16**

[58] **Field of Search** **D12/1, 16, 85;**
280/DIG. 5; 296/186

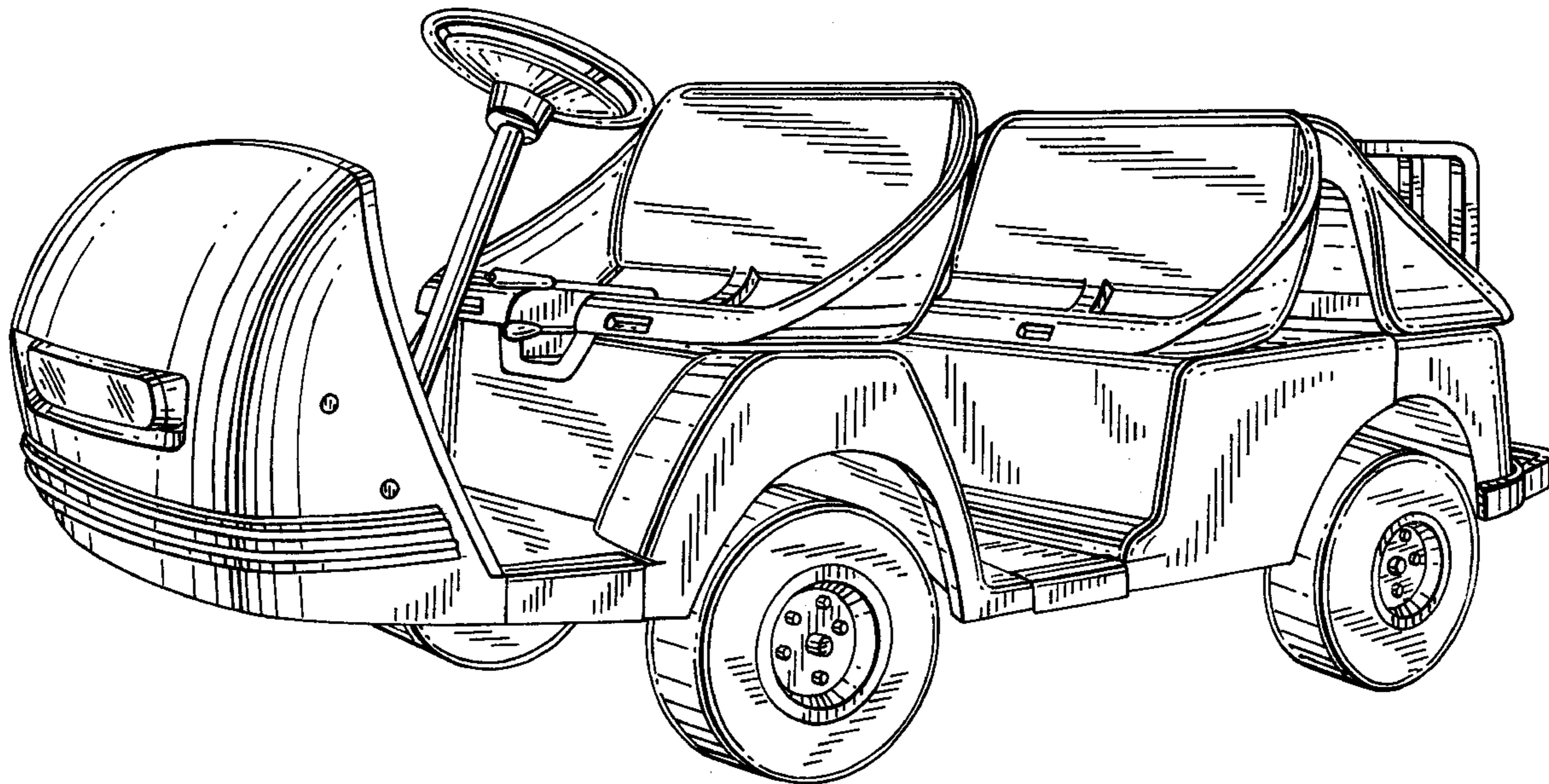
FIG. 1 is a front and left side perspective view of a personnel and cargo carrier showing our new design;
FIG. 2 is a left side elevational view thereof, the right side being a mirror image thereof;
FIG. 3 is a top plan view thereof;
FIG. 4 is a front elevational view thereof;
FIG. 5 is a rear elevational view thereof;
FIG. 6 is a front and left side perspective view of a second embodiment thereof;
FIG. 7 is a left side elevational view thereof, the right side being a mirror image thereof;
FIG. 8 is a top plan view thereof;
FIG. 9 is a front elevational view thereof; and,
FIG. 10 is a rear elevational view thereof.

[56] **References Cited**

U.S. PATENT DOCUMENTS

D. 245,242	8/1977	Stolley	D12/16
D. 292,899	11/1987	Samuelson et al.	D12/15
D. 320,520	10/1991	Kim	D12/16
D. 326,831	6/1992	Lanius et al.	D12/16
D. 345,717	4/1994	Molzon et al.	D12/16
D. 345,718	4/1994	Molzon et al.	D12/16
D. 369,762	5/1996	Molzon et al.	D12/16
D. 373,099	8/1996	Molzon et al.	D12/16
D. 395,023	6/1998	Hikeda	D12/16

1 Claim, 8 Drawing Sheets



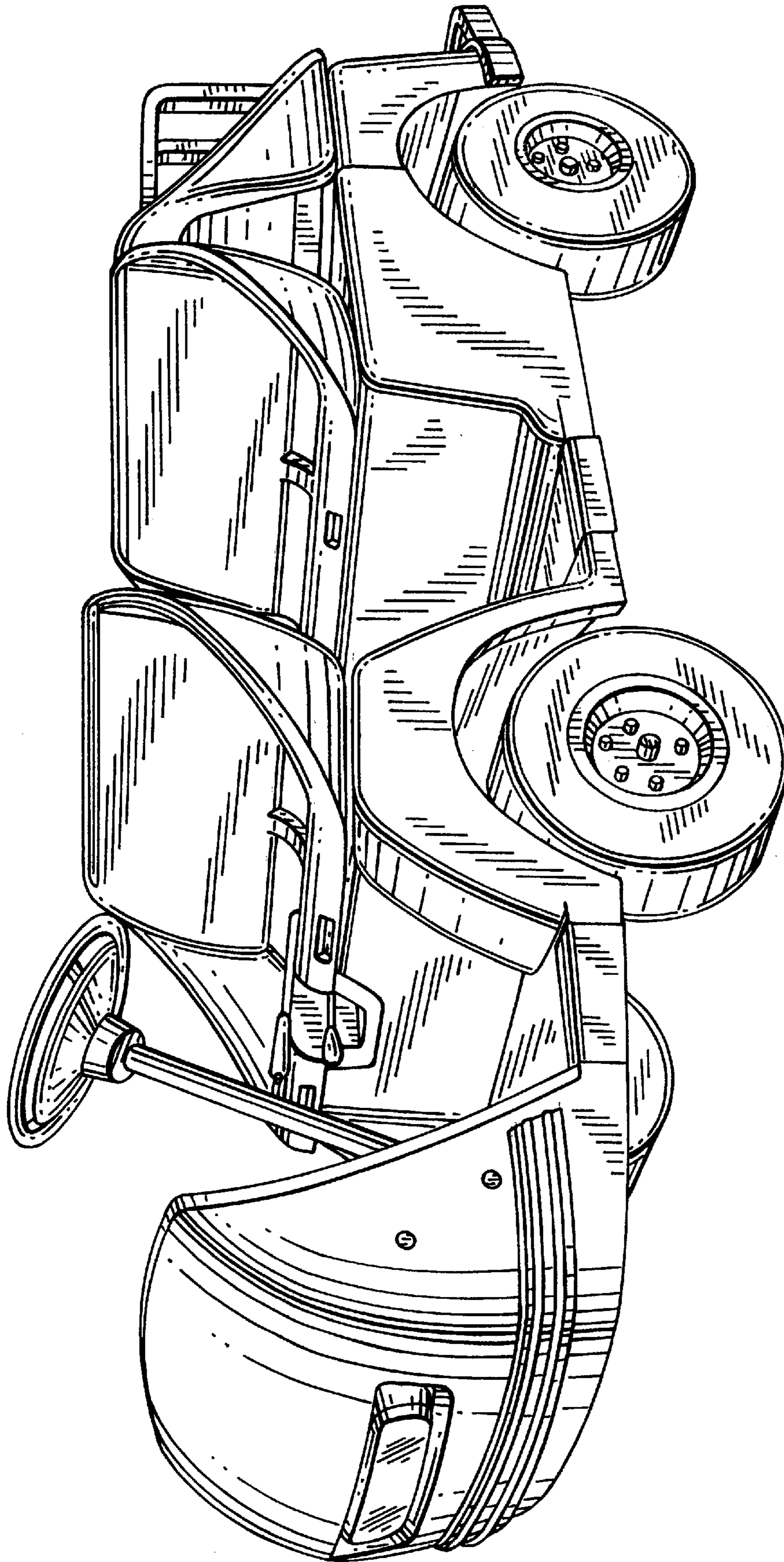


FIG. 1

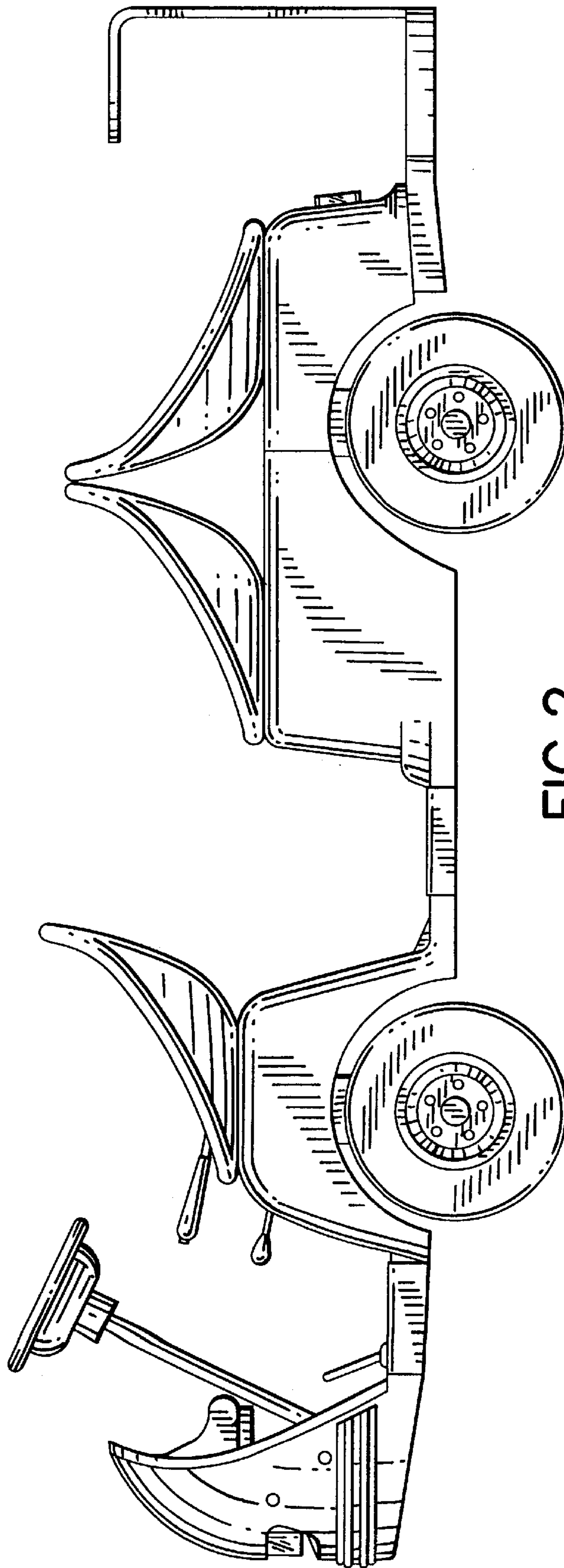


FIG. 2

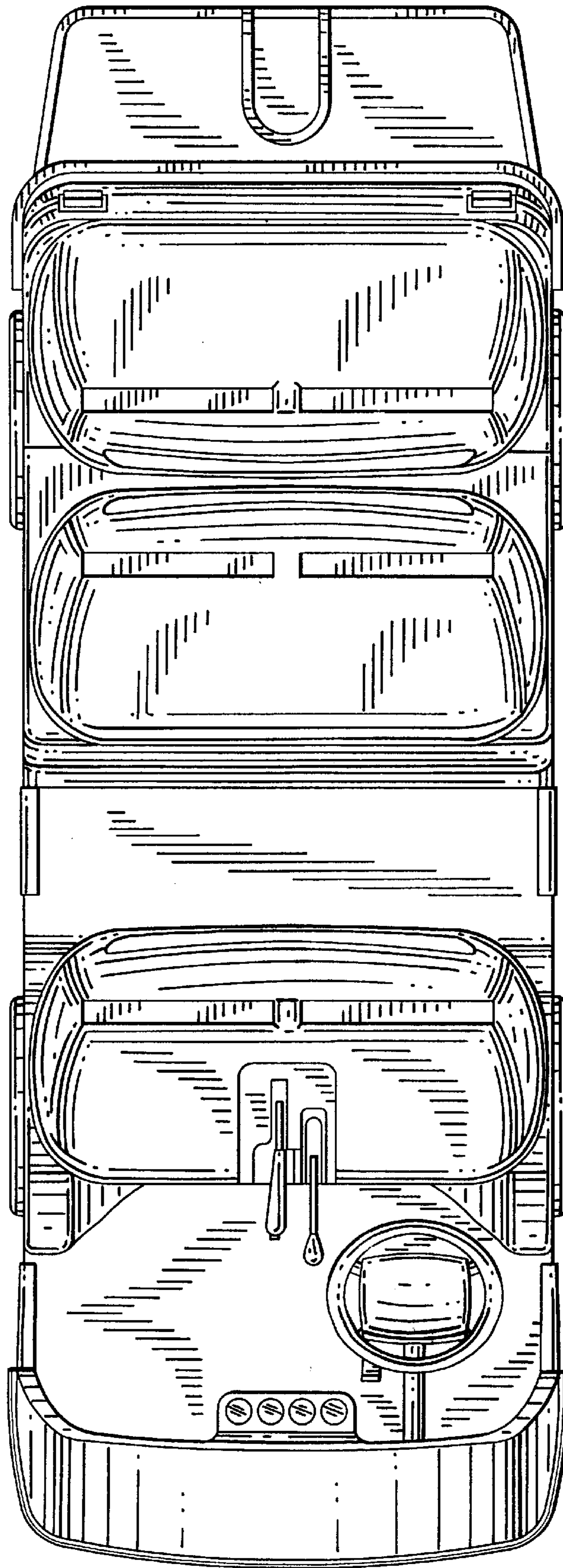


FIG.3

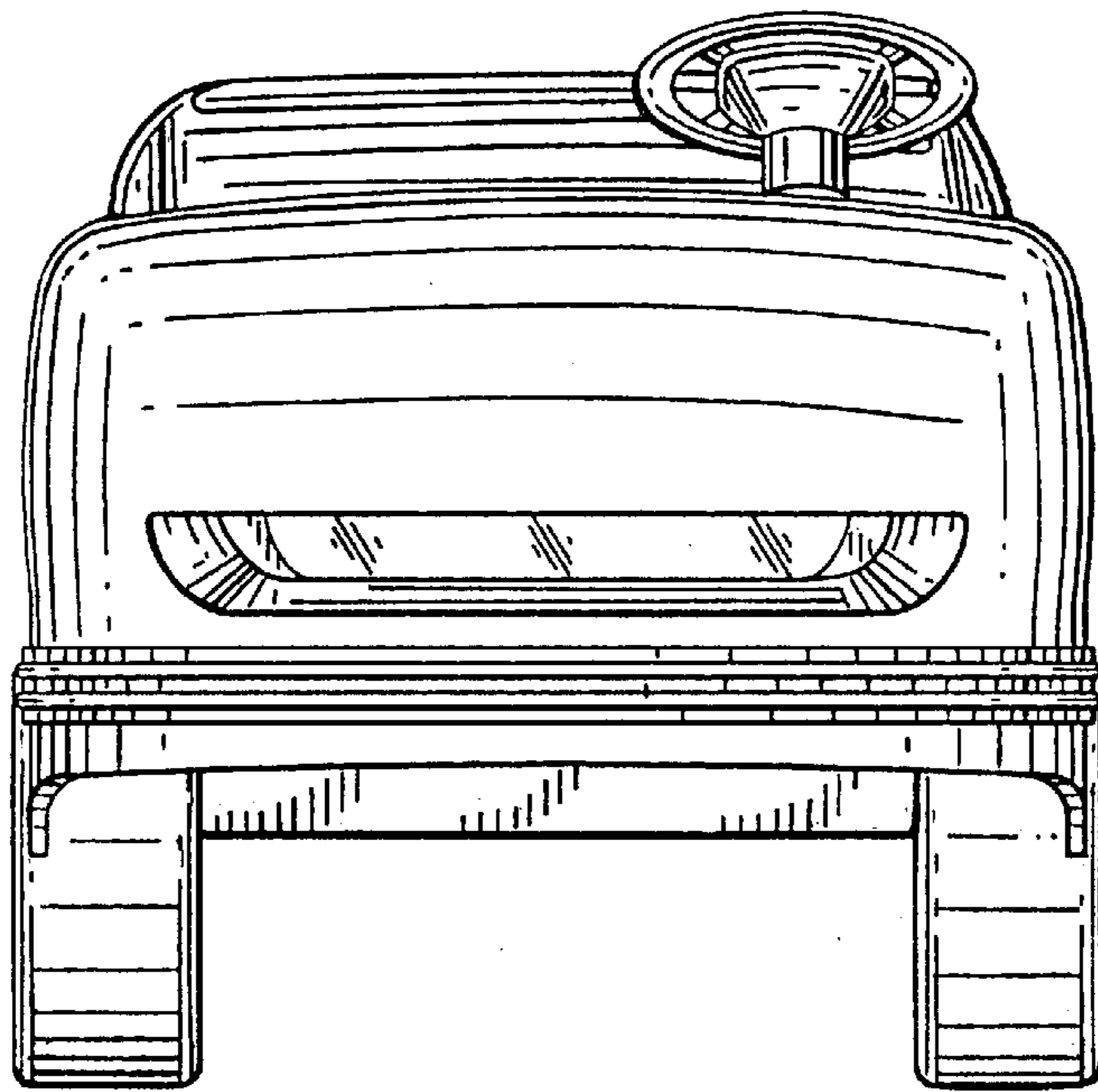


FIG. 4

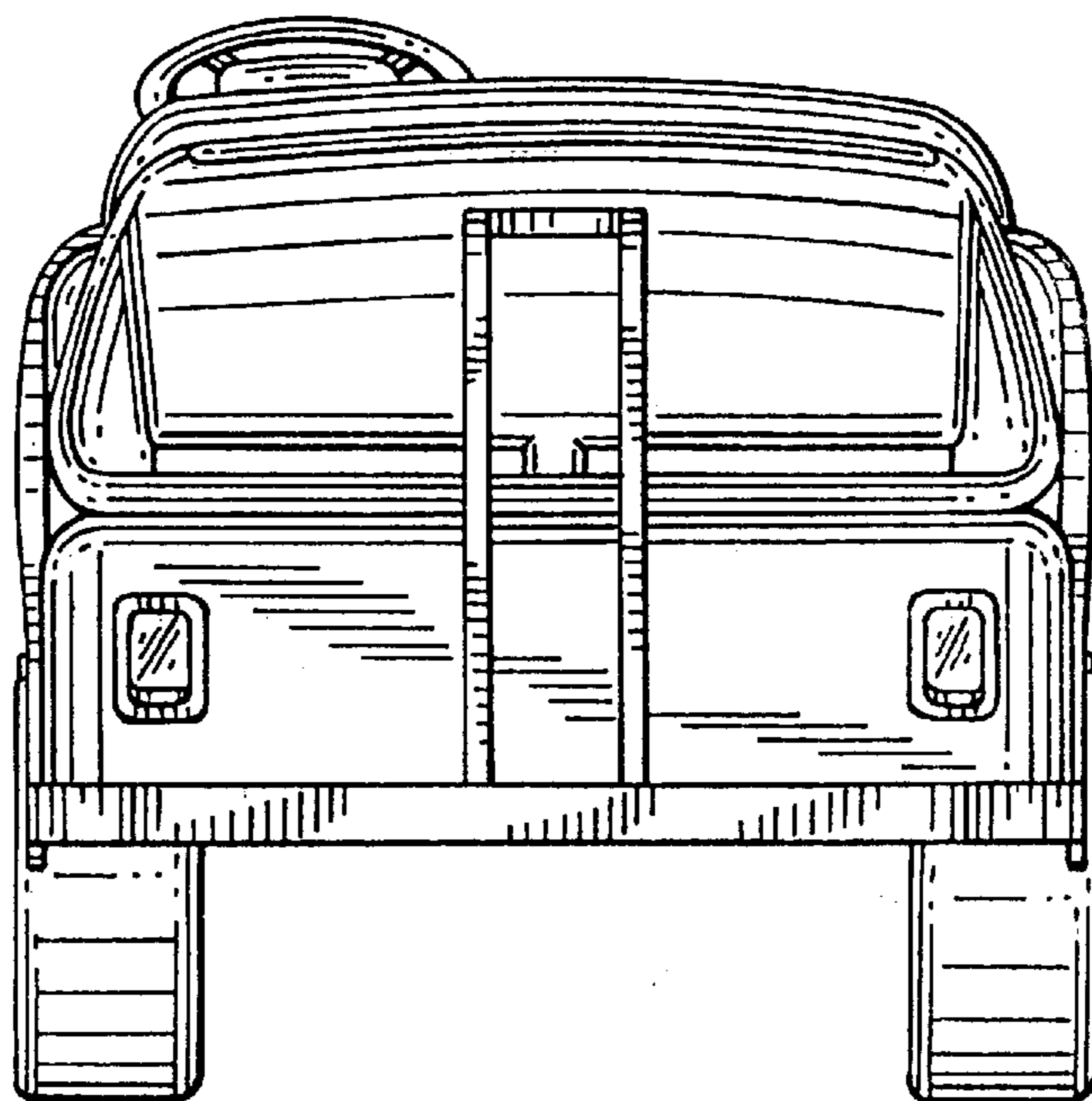


FIG. 5

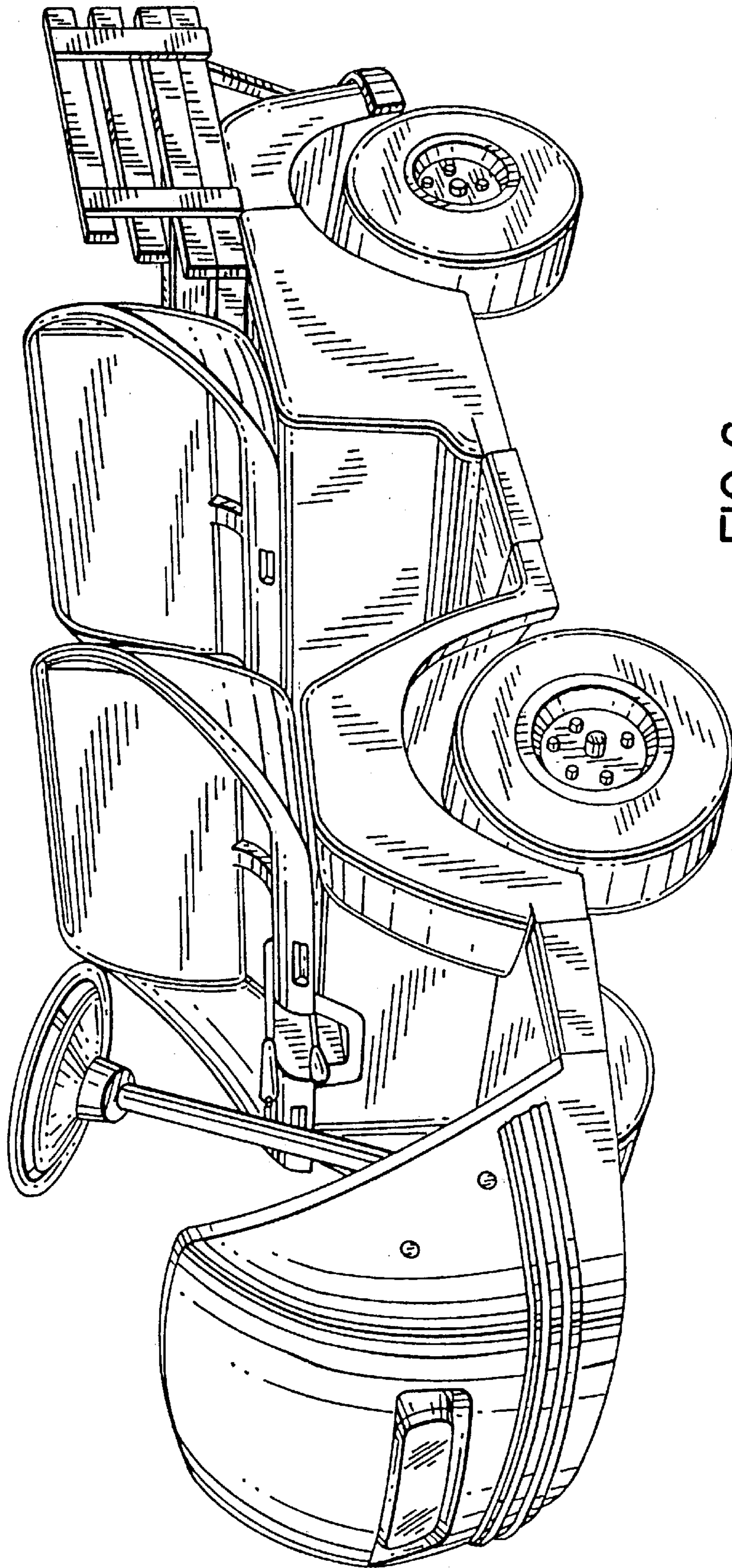


FIG.6

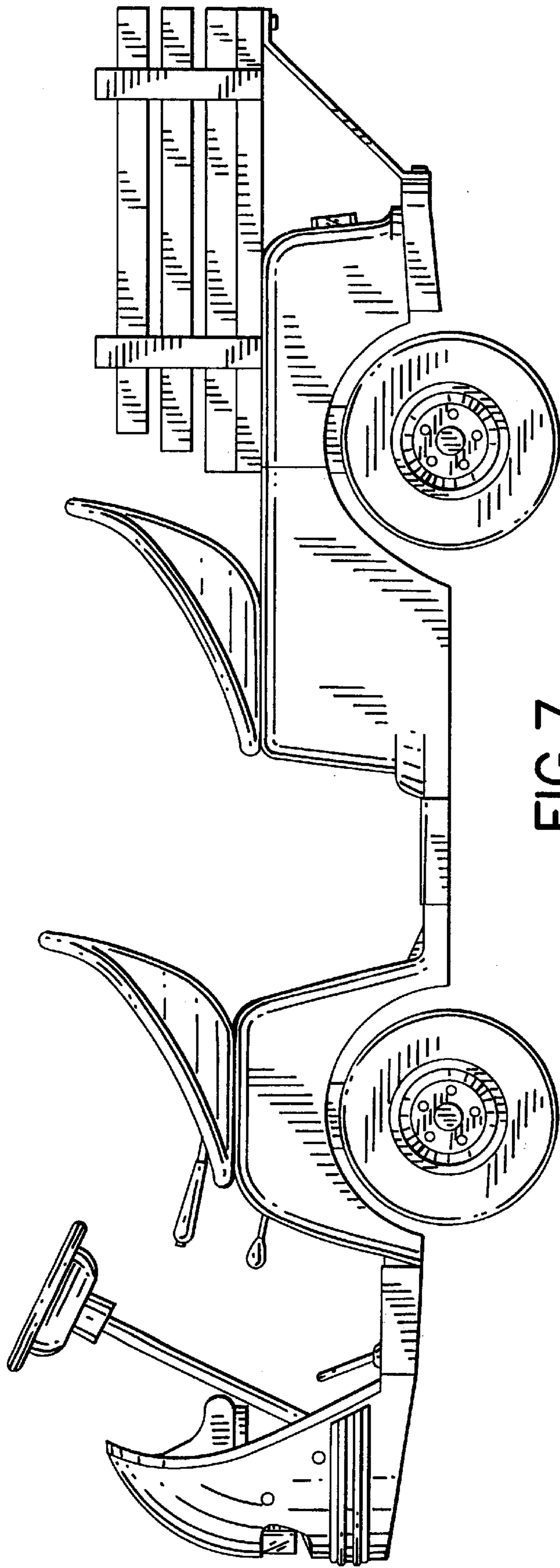


FIG. 7

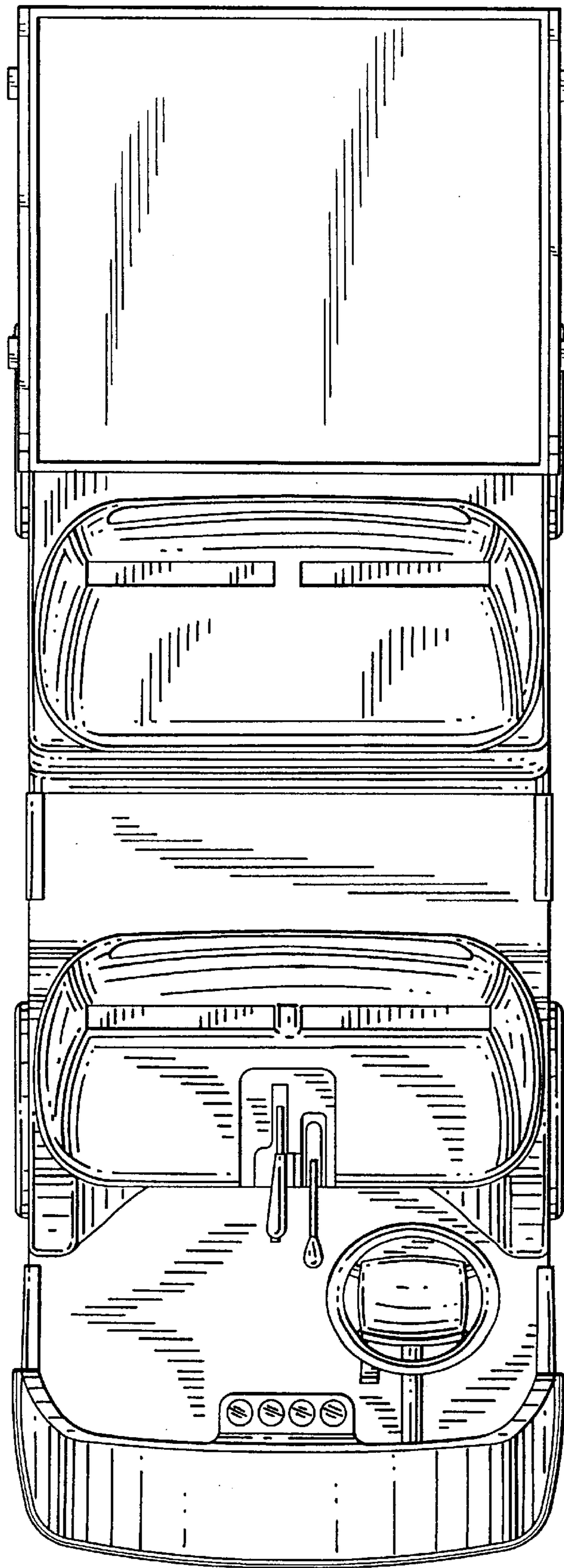


FIG. 8

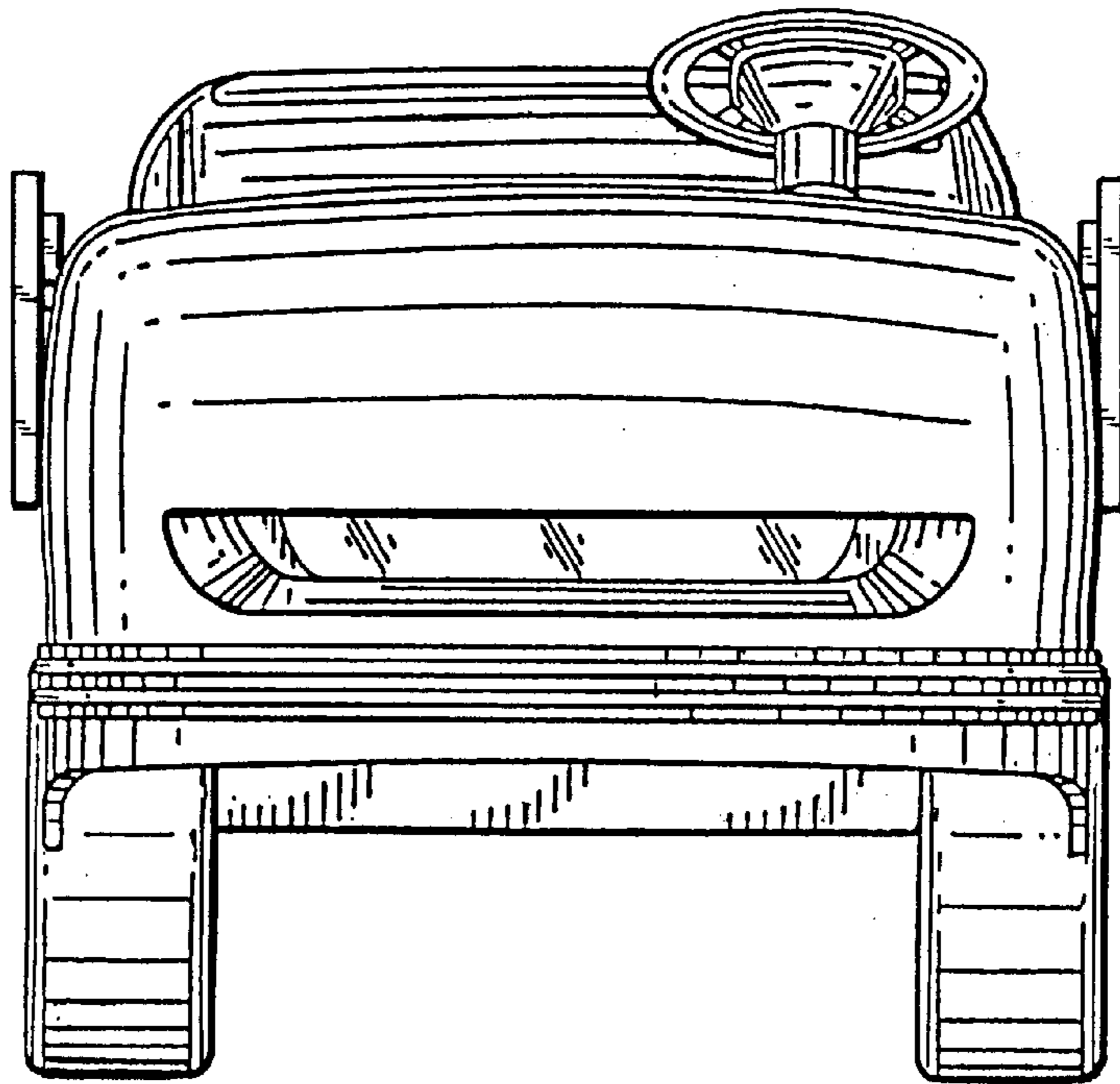


FIG. 9

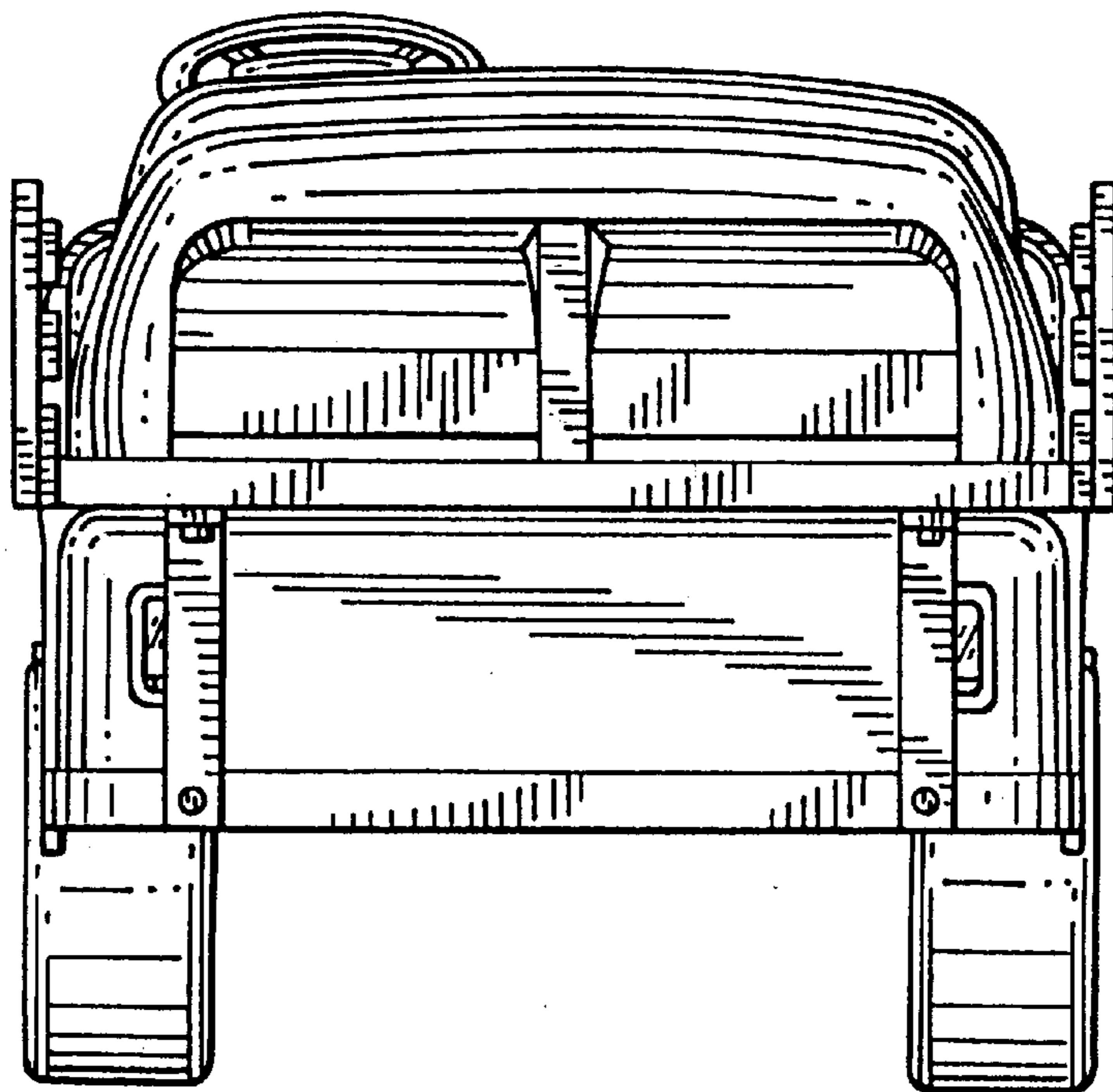


FIG. 10