



US00D421407S

# United States Patent [19] Svensson

[11] **Patent Number: Des. 421,407**

[45] **Date of Patent: \*\* Mar. 7, 2000**

[54] **TREE STAND**

[75] Inventor: **Hans Elving Svensson**, Osby, Sweden

[73] Assignee: **Hans Elving Svenssons  
Stålrörsmöbler**, Osby, Sweden

[\*\*] Term: **14 Years**

[21] Appl. No.: **29/100,788**

[22] Filed: **Feb. 18, 1999**

[30] **Foreign Application Priority Data**

Aug. 19, 1998 [SE] Sweden ..... 98 1610

[51] **LOC (6) Cl.** ..... **11-05**

[52] **U.S. Cl.** ..... **D11/130.1**

[58] **Field of Search** ..... D11/130.1; 47/40.5;  
248/516

[56] **References Cited**

**U.S. PATENT DOCUMENTS**

D. 40,108 6/1909 Richards ..... D11/131

D. 330,875	11/1992	Boucher	.....	D11/130.1
D. 370,185	5/1996	Grimm et al.	.....	D11/130.1
D. 374,195	10/1996	Wright et al.	.....	D11/130.1
5,492,301	2/1996	Hauser	.....	248/516
5,507,117	4/1996	Kalman et al.	.....	47/40.5

*Primary Examiner*—Dominic Simone  
*Attorney, Agent, or Firm*—Smith, Gambrell & Russell, LLP

[57] **CLAIM**

The ornamental design for a tree stand, as shown and described.

**DESCRIPTION**

FIG. 1 is a perspective view from above showing the tree stand;

FIG. 2 is a perspective view from below thereof; and,

FIG. 3 is a side elevational view thereof.

**1 Claim, 2 Drawing Sheets**

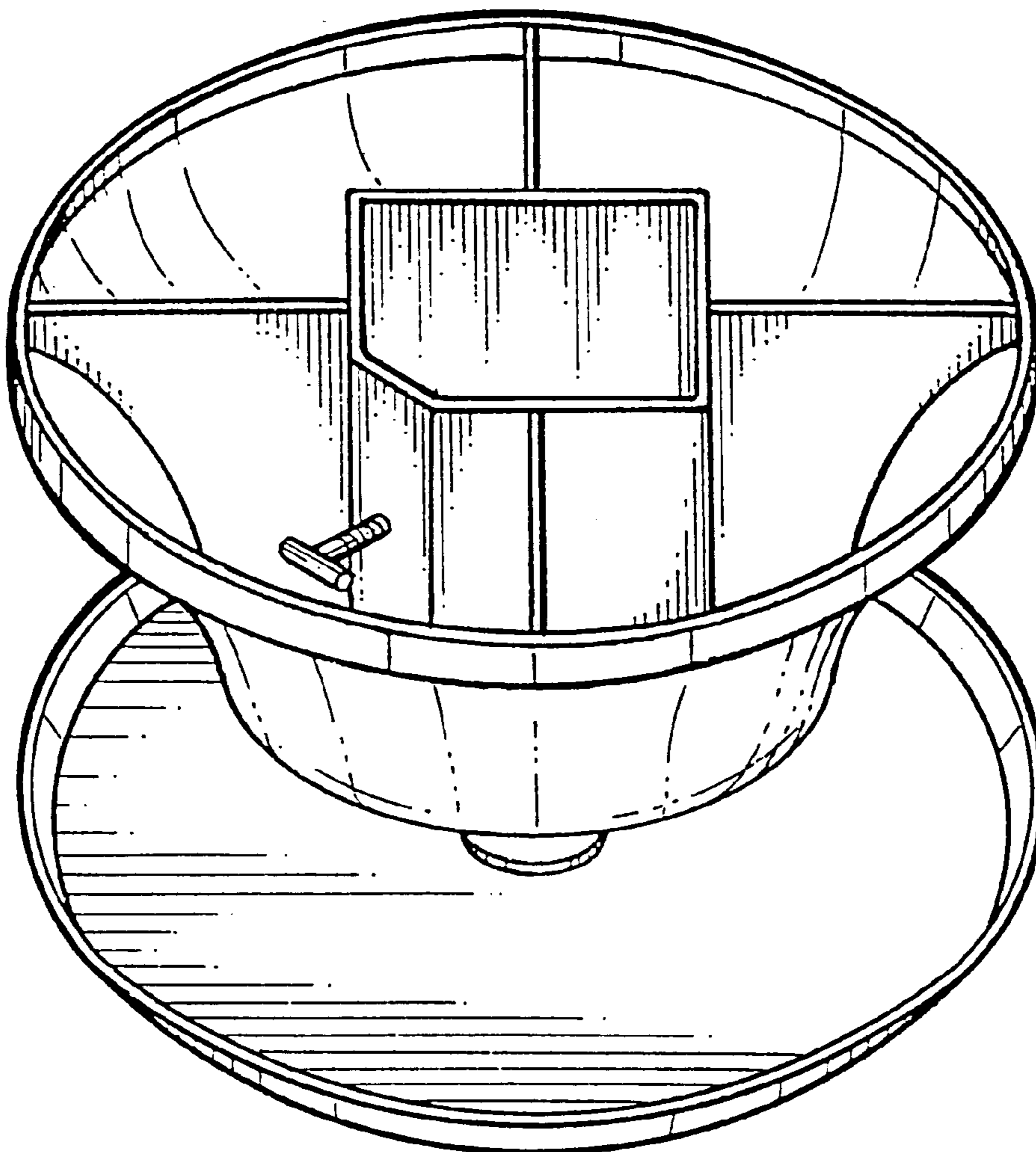


FIG 1

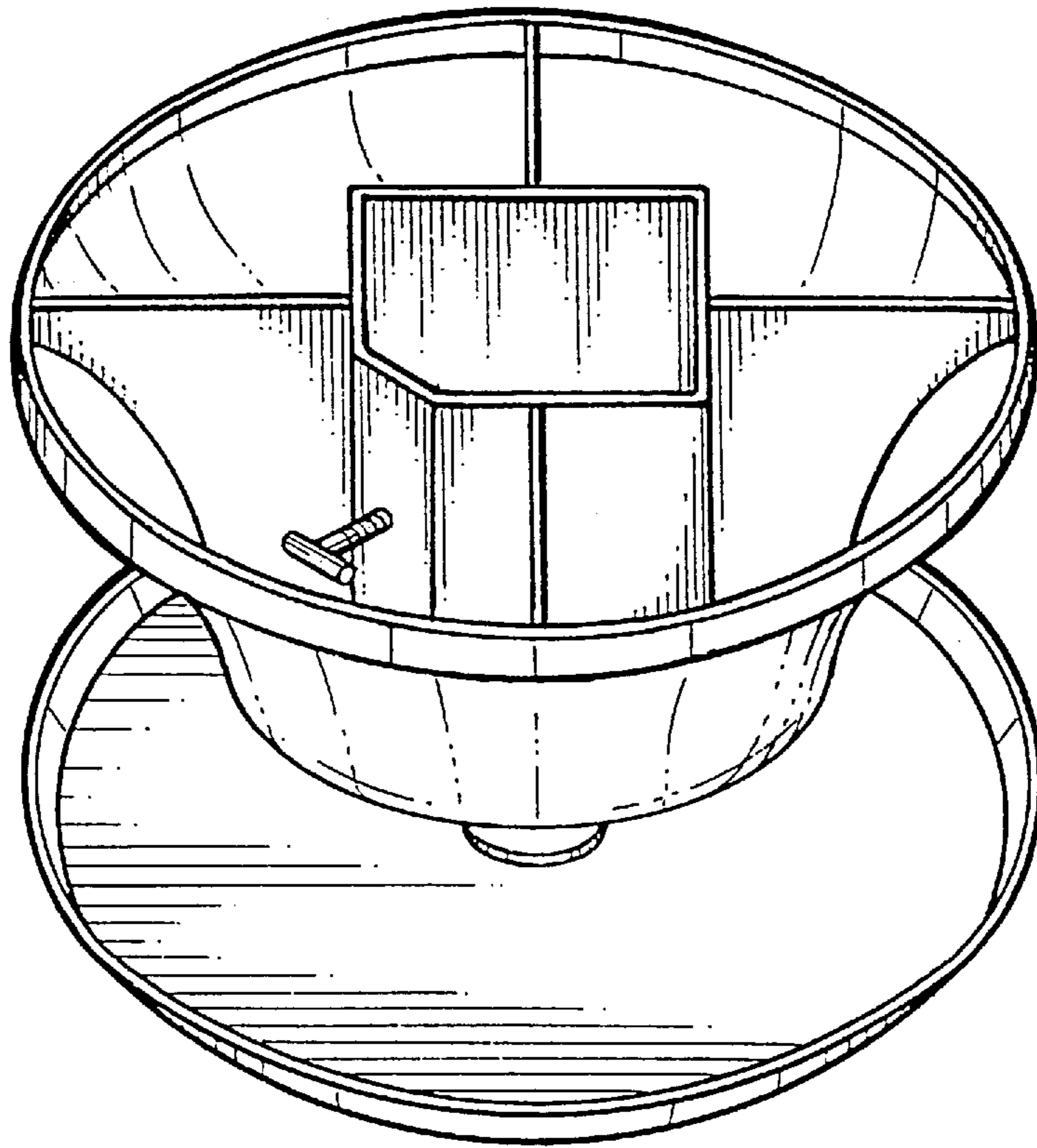


FIG 2

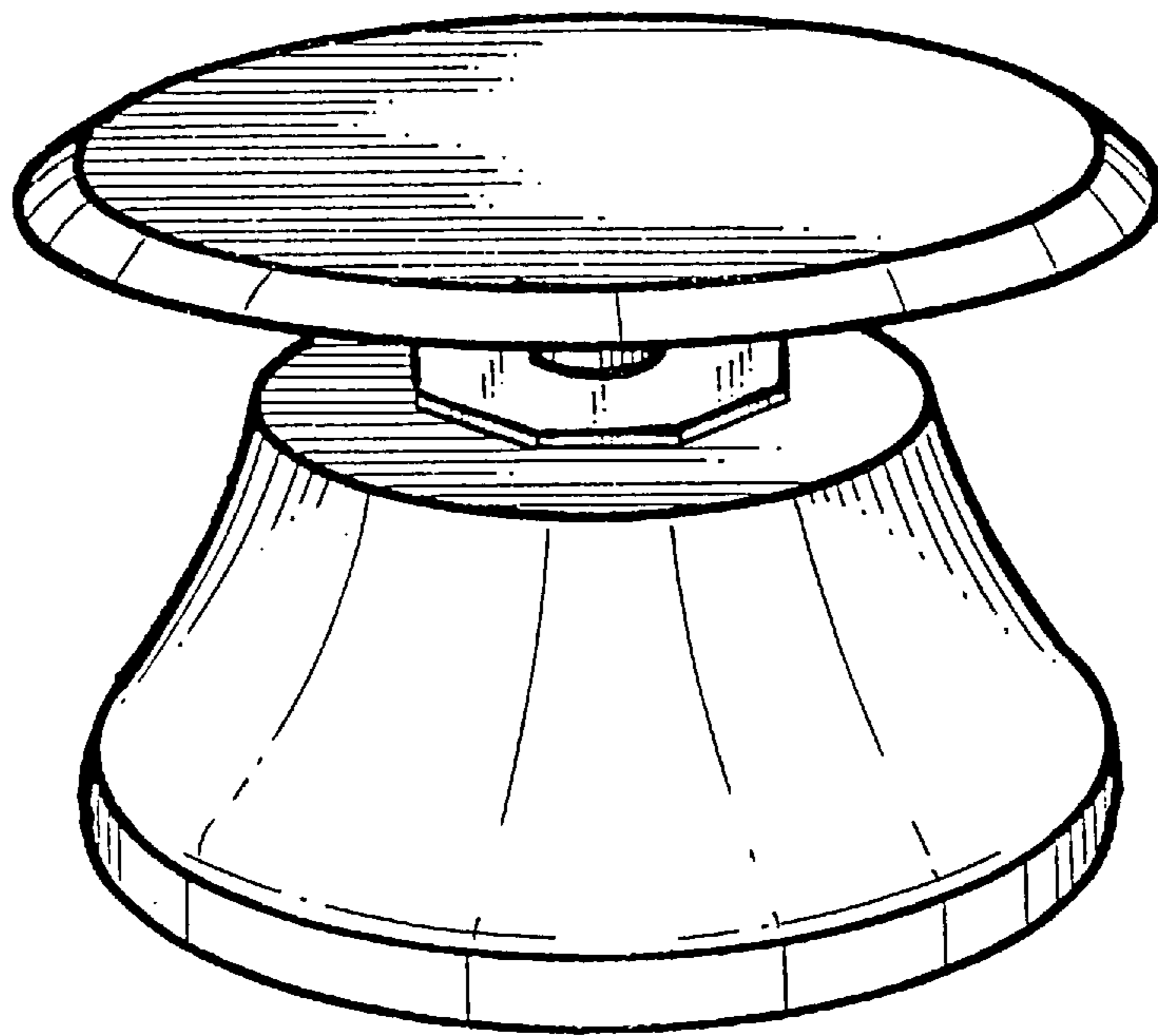


FIG 3

