



US00D421401S

# United States Patent [19]

Schwarz et al.

[11] Patent Number: **Des. 421,401**

[45] Date of Patent: **\*\* Mar. 7, 2000**

[54] **COLORIMETER**

D. 403,259 12/1998 Tsubota et al. .... D10/81

[75] Inventors: **Peter Schwarz; Uwe Sperling**, both of Geretsried, Germany

*Primary Examiner*—Antoine Duval Davis  
*Attorney, Agent, or Firm*—Ohlandt, Greeley Ruggiero & Perle, L.L.P.

[73] Assignee: **BYK-Gardner GmbH**, Geretsried, Germany

[\*\*] Term: **14 Years**

## [57] CLAIM

The ornamental design for a colorimeter, as shown and described.

[21] Appl. No.: **29/098,460**

[22] Filed: **Dec. 30, 1998**

## DESCRIPTION

### [30] Foreign Application Priority Data

Jul. 7, 1998 [DE] Germany ..... 498 07 136

FIG. 1 is a front perspective view of a colorimeter in according to the present invention;

FIG. 2 is a rear perspective view of the device shown in FIG. 1;

[51] **LOC (6) Cl.** ..... **10-04**

[52] **U.S. Cl.** ..... **D10/81; D10/78**

FIG. 3 is a front elevation view of FIG. 1;

FIG. 4 is a rear elevation view of FIG. 1 ;

[58] **Field of Search** ..... D10/78, 81, 46;

856/402-422, 432-435; 385/146

FIG. 5 is a side elevation view of FIG. 1;

FIG. 6 is a top view of FIG. 1; and

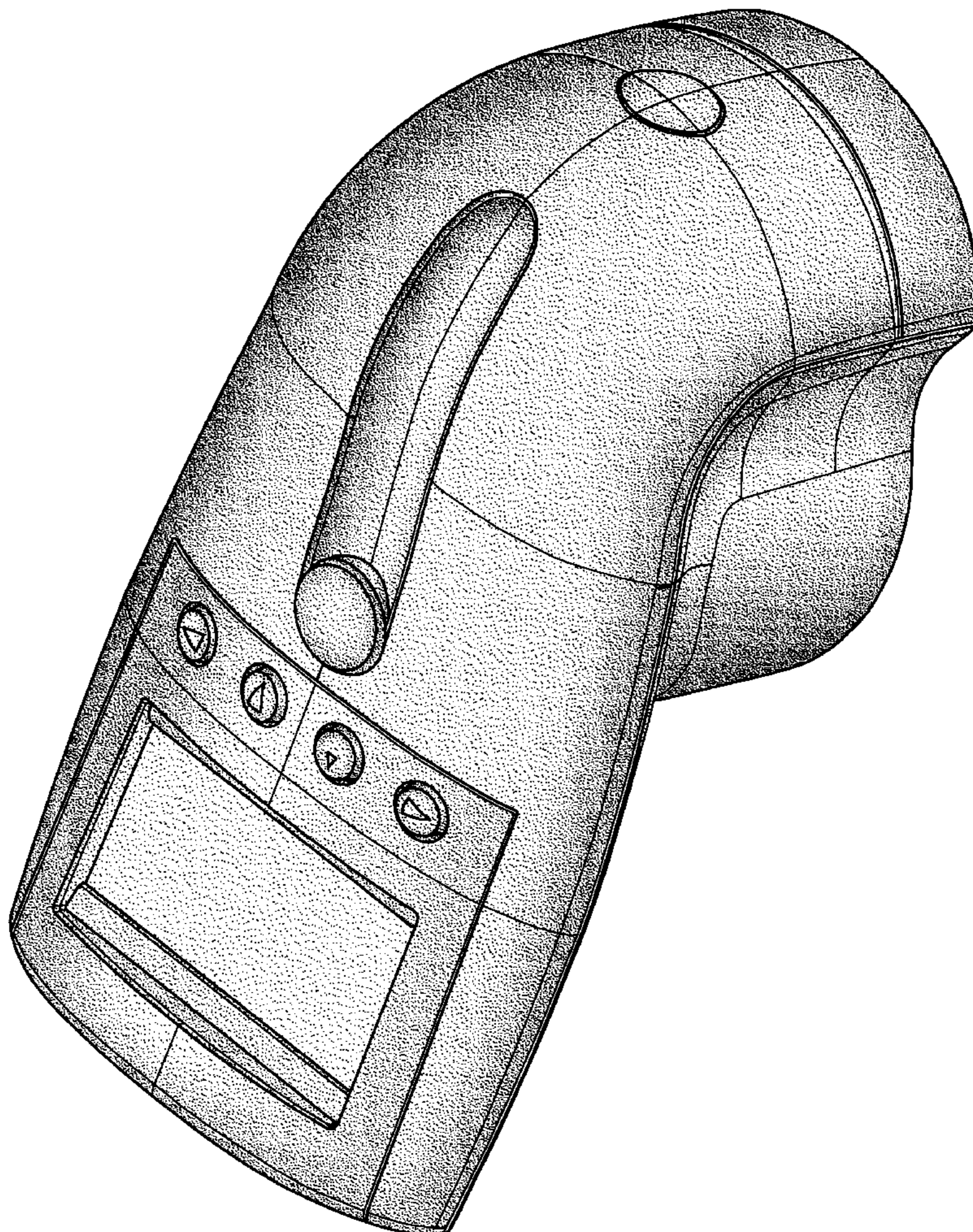
FIG. 7 is a bottom view of FIG. 1.

### [56] References Cited

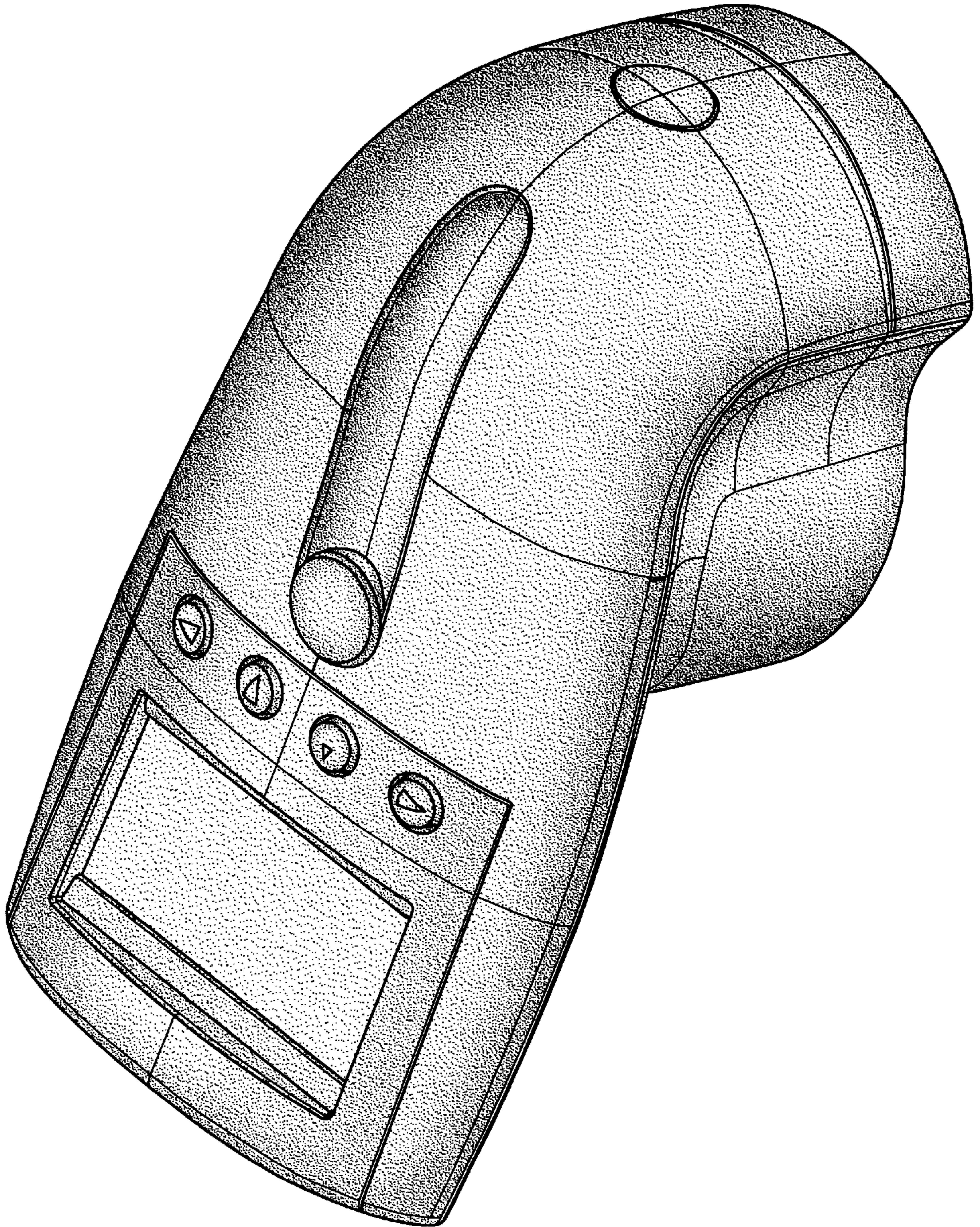
#### U.S. PATENT DOCUMENTS

D. 336,444 6/1993 Anderson et al. .... D10/81

**1 Claim, 6 Drawing Sheets**

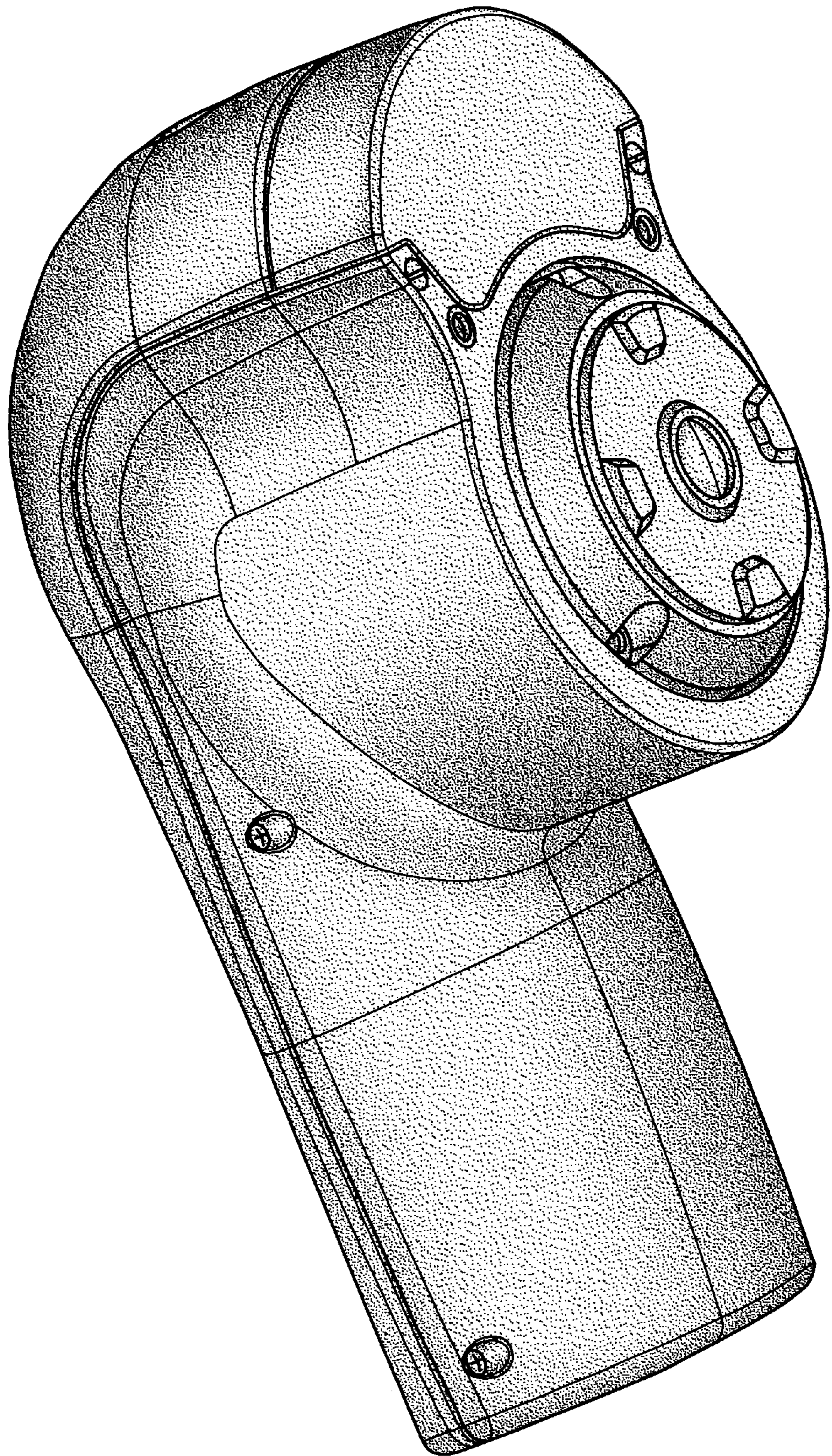






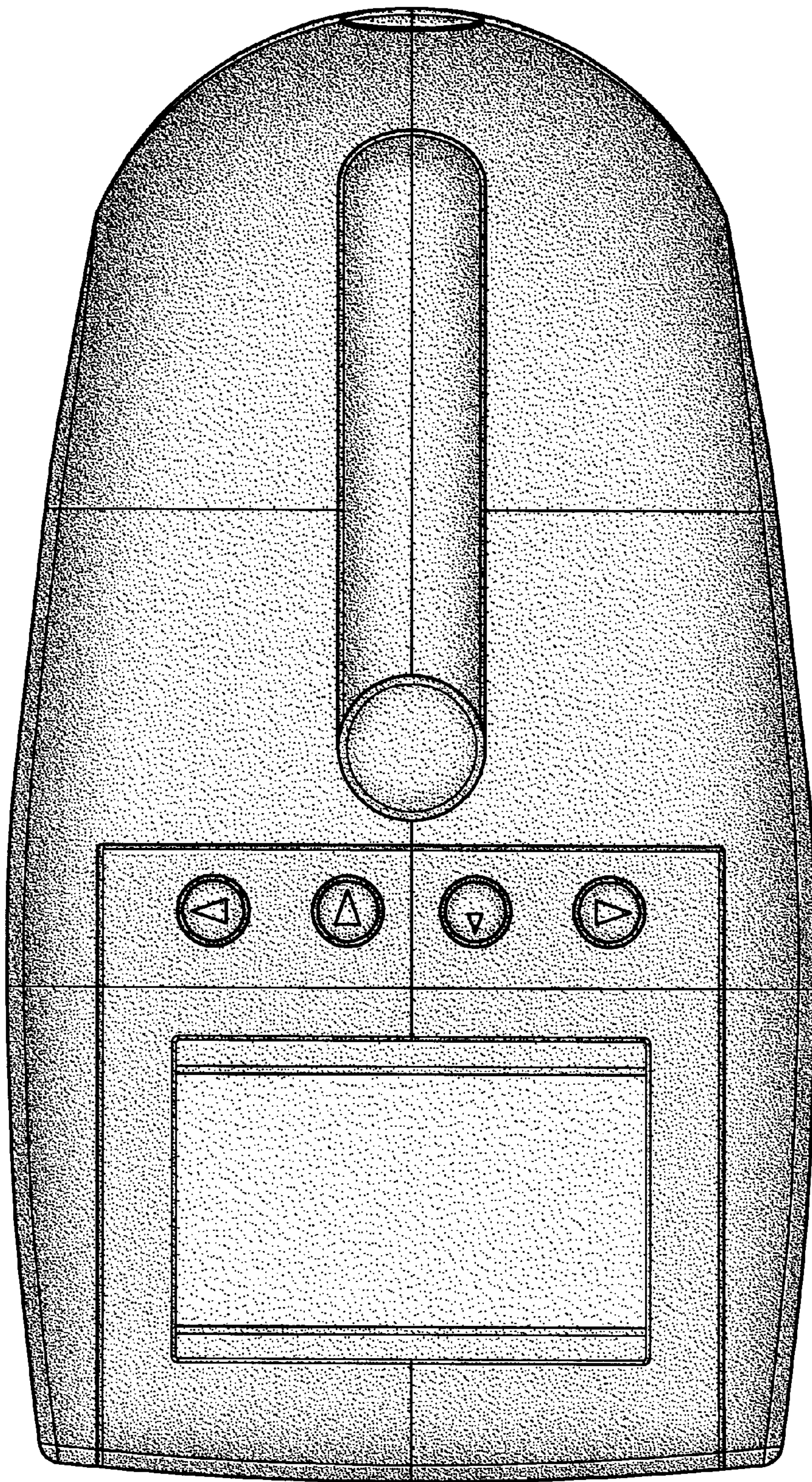
**FIG. 1**





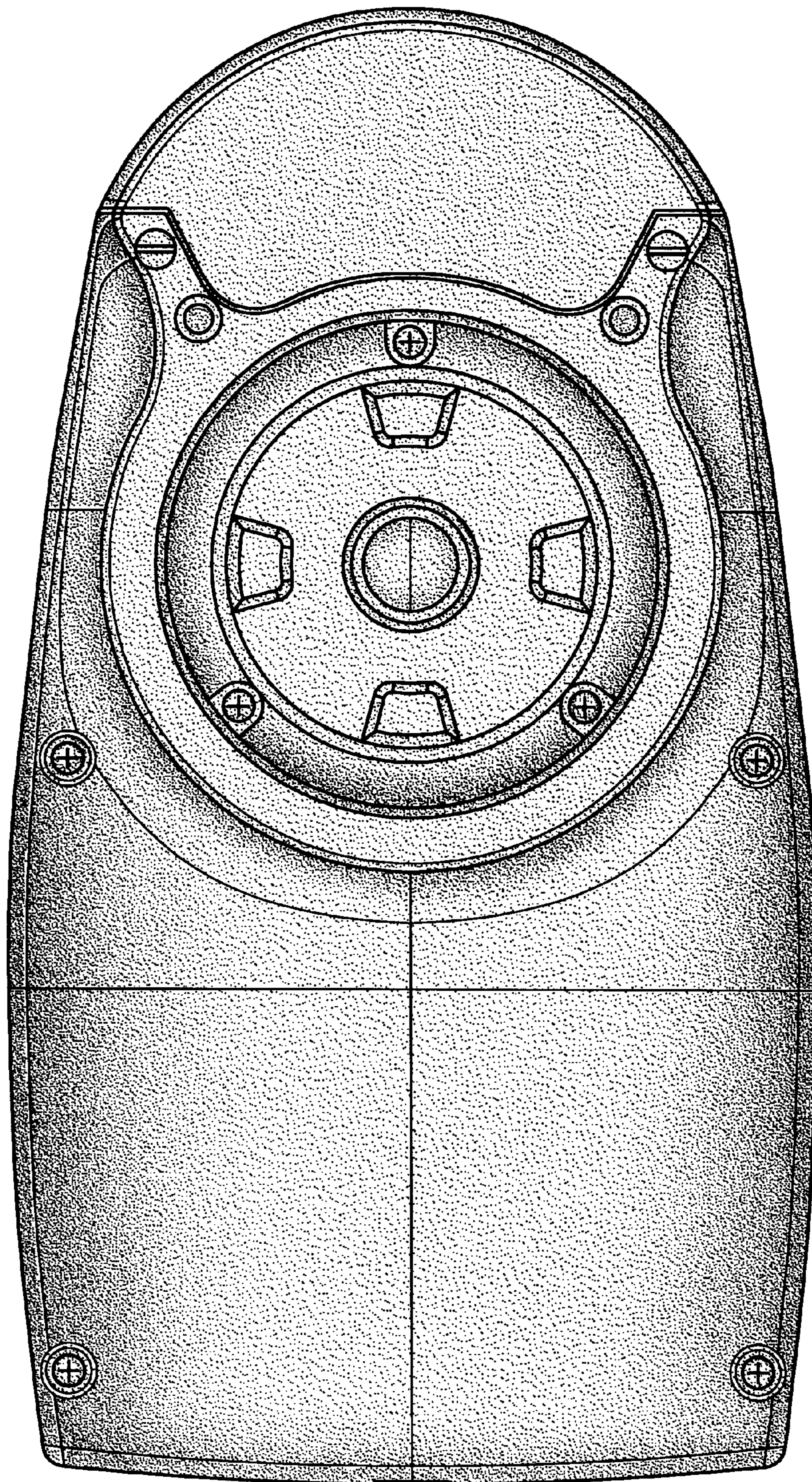
**FIG. 2**





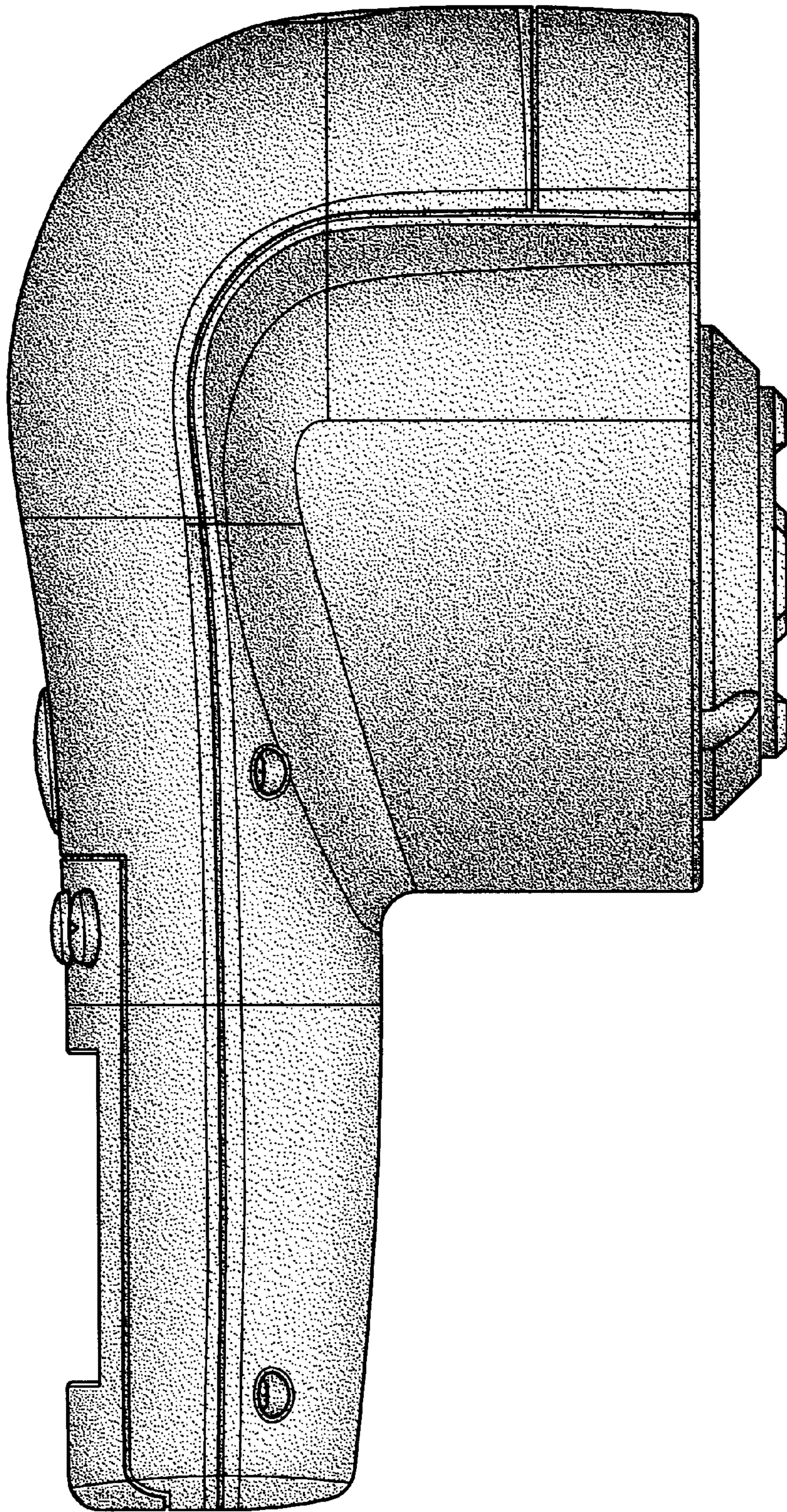
**FIG. 3**





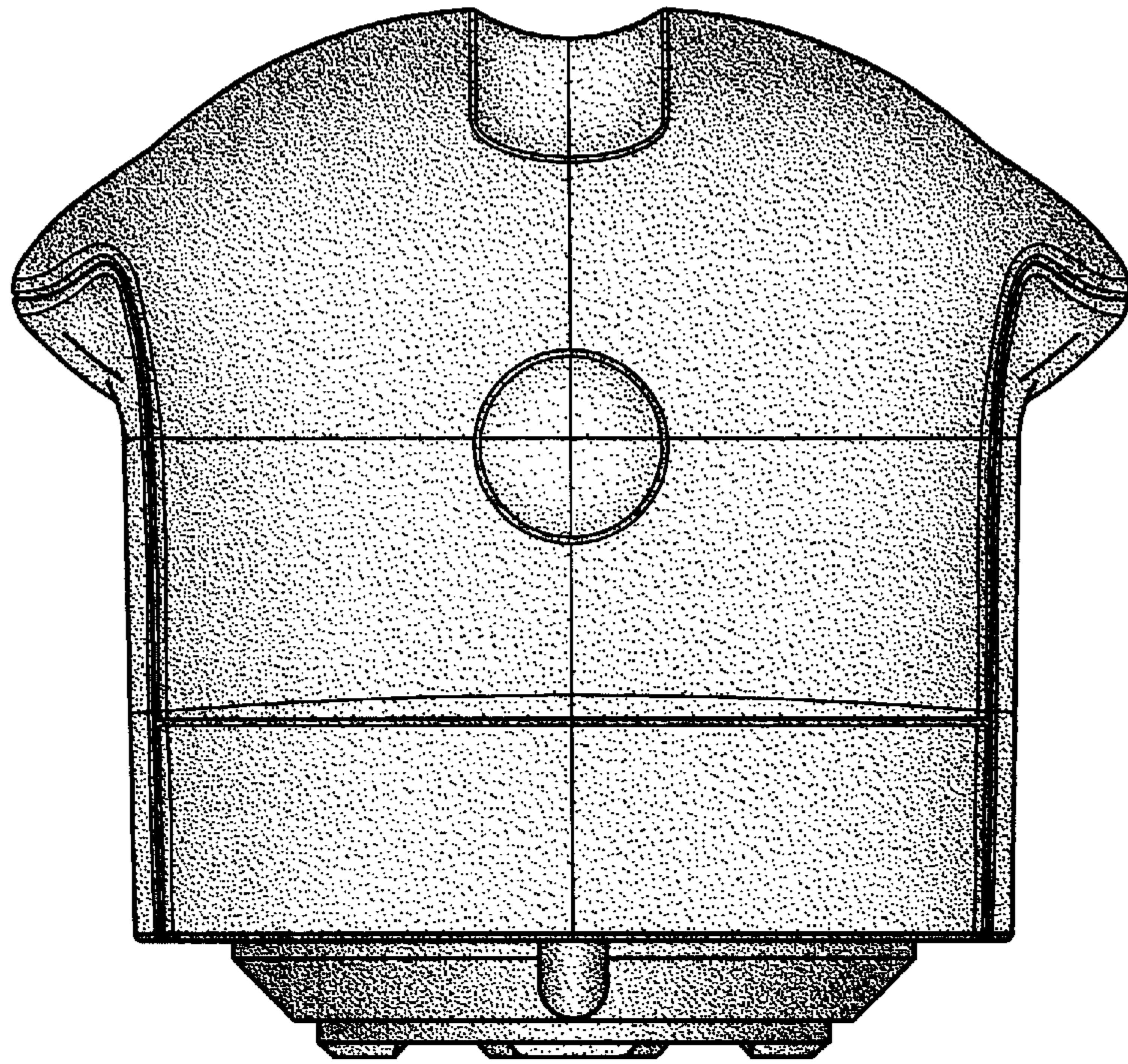
**FIG. 4**



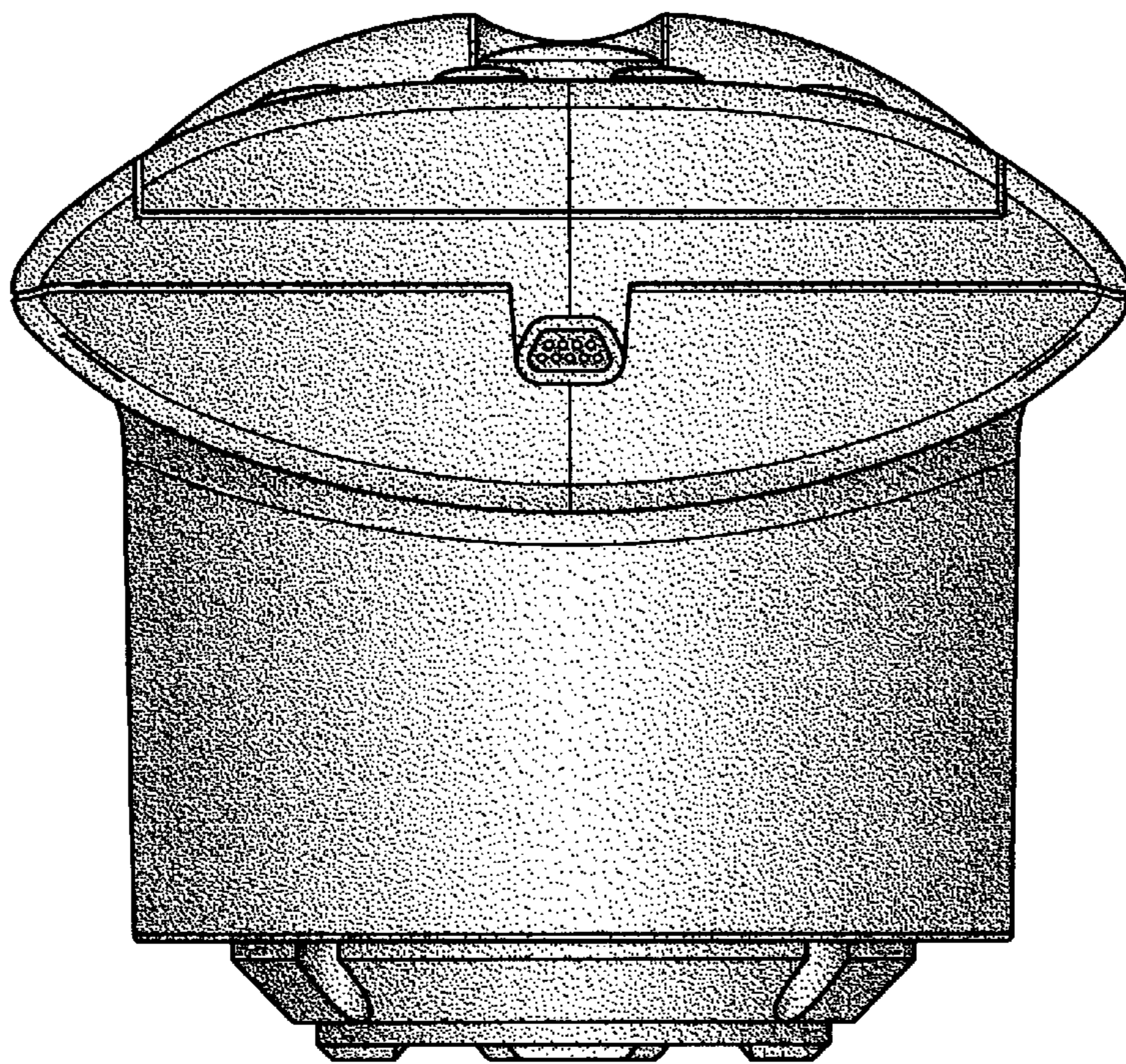


**FIG. 5**





**FIG. 6**



**FIG. 7**