



US00D421390S

# United States Patent [19]

[11] Patent Number: **Des. 421,390**

DuGrenier et al.

[45] Date of Patent: **\*\* Mar. 7, 2000**

[54] **SHAPED DUAL COMPARTMENT BOTTLE AND PACKAGE THEREFOR**

582,380 5/1897 Tebbutt .  
3,470,929 10/1969 Thornton .

[75] Inventors: **Robert DuGrenier**, Townshend, Vt.;  
**Brad Levy**; **Judy Levy**, both of  
Youngstown, Ohio

*Primary Examiner*—James Gandy  
*Assistant Examiner*—Cathron B. Matta  
*Attorney, Agent, or Firm*—Browdy and Neimark

[73] Assignee: **Fragrance International, Inc.**,  
Youngstown, Ohio

[57] **CLAIM**

[\*\*] Term: **14 Years**

The ornamental design for a shaped dual compartment bottle and package therefor, as shown and described.

[21] Appl. No.: **29/086,329**

[22] Filed: **Mar. 24, 1998**

**DESCRIPTION**

[51] **LOC (6) Cl.** ..... **09-01**

[52] **U.S. Cl.** ..... **D9/517; D9/300**

[58] **Field of Search** ..... D9/300, 337, 414,  
D9/418, 444, 517; 215/228, 395; 220/212,  
528, 737; 222/129, 135, 192

FIG. 1 is perspective view of the shaped dual compartment bottle and package therefor;

FIG. 2 is a perspective view of the outer package thereof, shown without the removable bottle for convenience of illustration;

FIG. 3 is a perspective view of the bottle of FIG. 1, shown without the package for convenience of illustration;

FIG. 4 is an elevational view of the bottle of FIG. 3 which is radially symmetrical and therefore has the same appearance from the opposite side, the top and the bottom, and shown with one of the closures removed for convenience of illustration;

FIG. 5 is an end view of the bottle of FIG. 3, with the closure in place;

FIG. 6 is an end view of the bottle of FIG. 3, with the closure removed for convenience of illustration.

FIG. 7 is an elevational view of the shaped dual compartment bottle and package therefor; the rear elevation and top and bottom plan views being the same;

FIG. 8 is an elevational view of the outer package of FIG. 2 with the end caps removed, the rear elevation, top and bottom plan views being the same; and,

FIG. 9 is an end view of the shaped dual compartment bottle and package therefor, the opposite end view being the same.

[56] **References Cited**

**U.S. PATENT DOCUMENTS**

- D. 112,545 11/1938 Younghusband .
- D. 183,939 11/1958 Loewy .
- D. 209,103 10/1967 Langewis .
- D. 223,562 5/1972 Madiera .
- D. 255,215 6/1980 Ellinwood .
- D. 257,227 10/1980 Youngberg .
- D. 259,768 7/1981 Banasiak .
- D. 297,710 9/1988 Scherer ..... D9/517
- D. 302,943 8/1989 Cuzenza ..... D9/337
- D. 314,134 1/1991 Litton et al. .... D9/300
- D. 337,254 7/1993 Nakagawa et al. .... D9/300
- D. 340,618 10/1993 Zimmerman .
- D. 350,460 9/1994 Picozza et al. .
- D. 378,057 2/1997 Dikowitz .
- D. 383,390 9/1997 Abfier et al. .

**1 Claim, 3 Drawing Sheets**

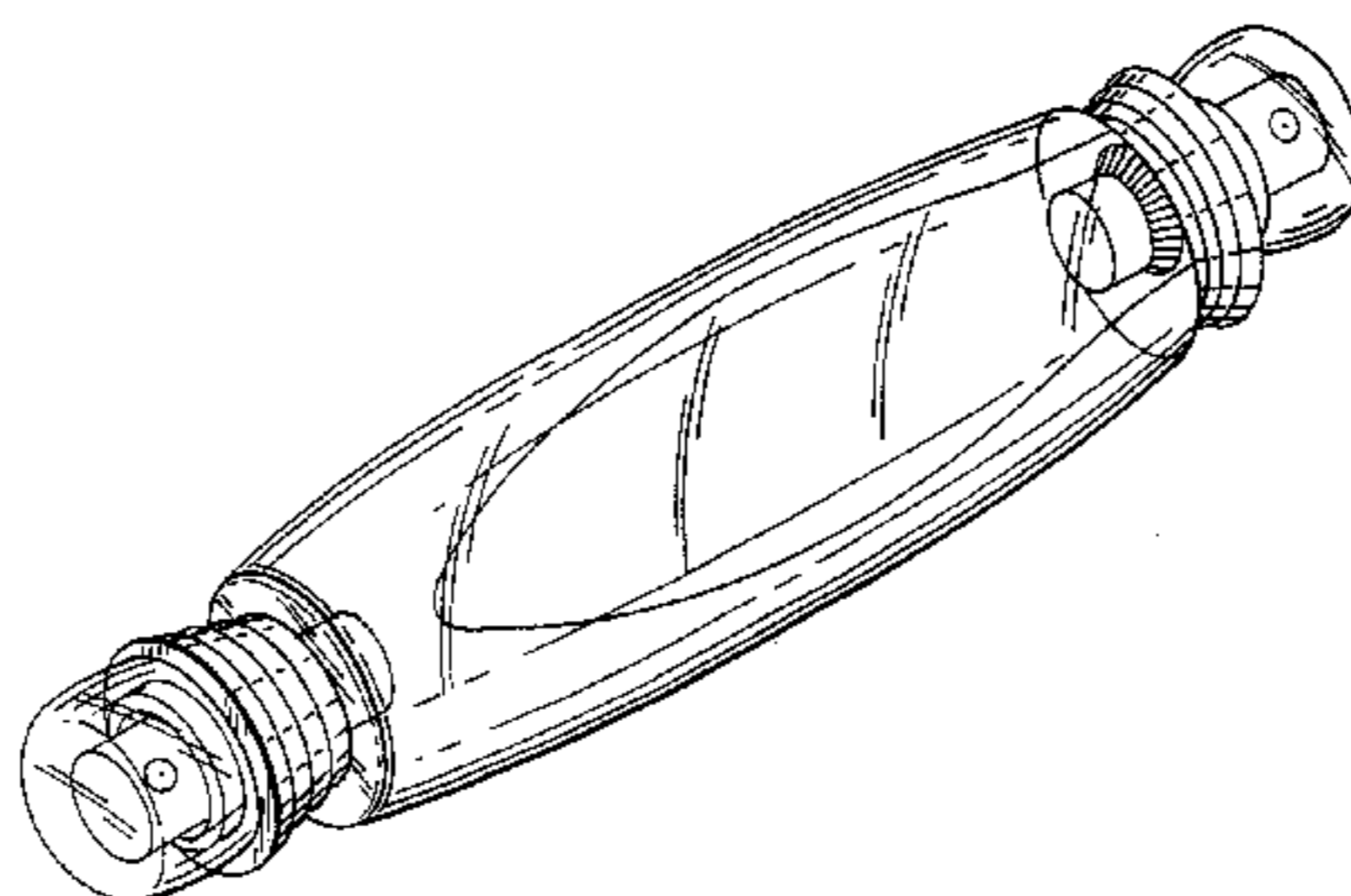
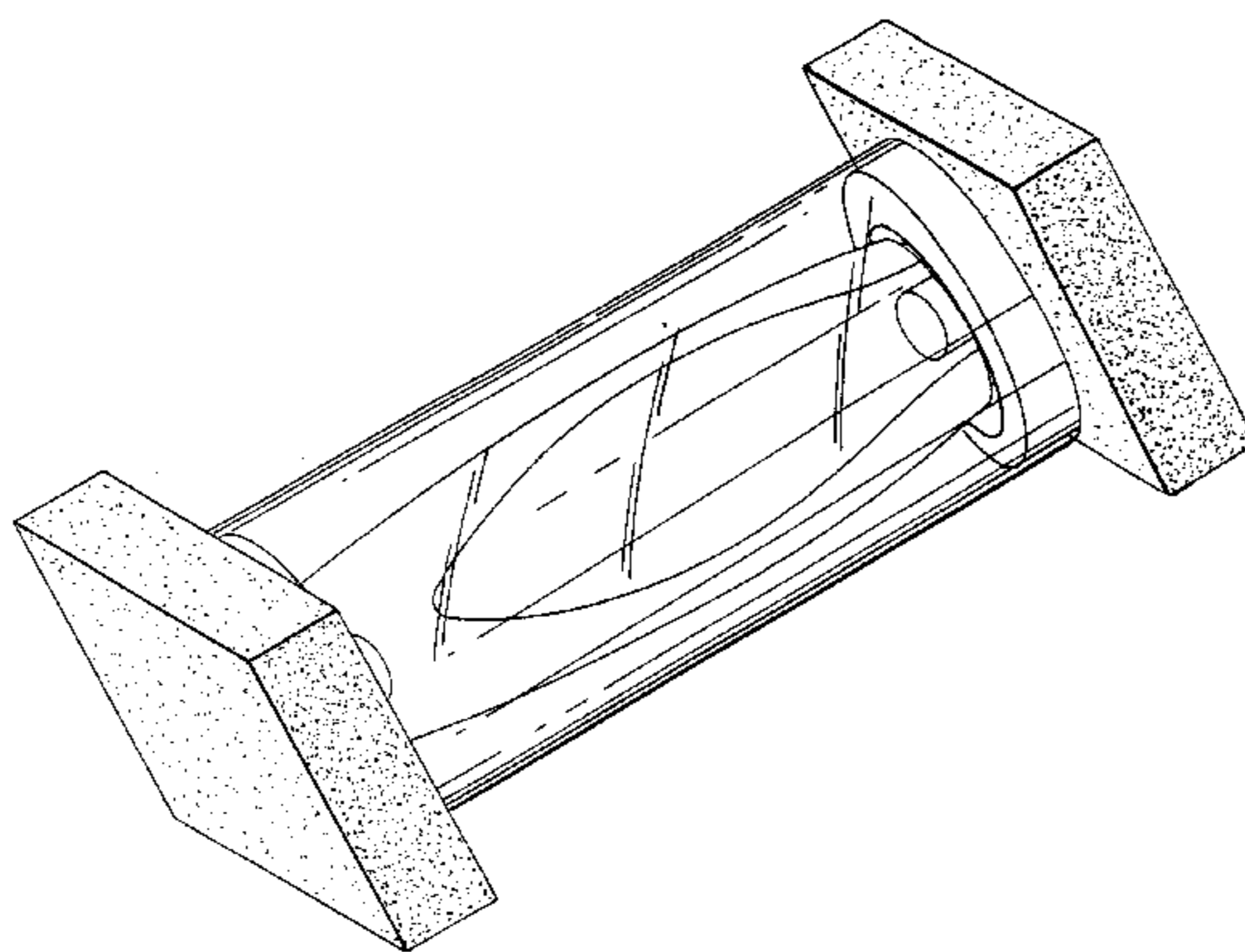


FIG. 1

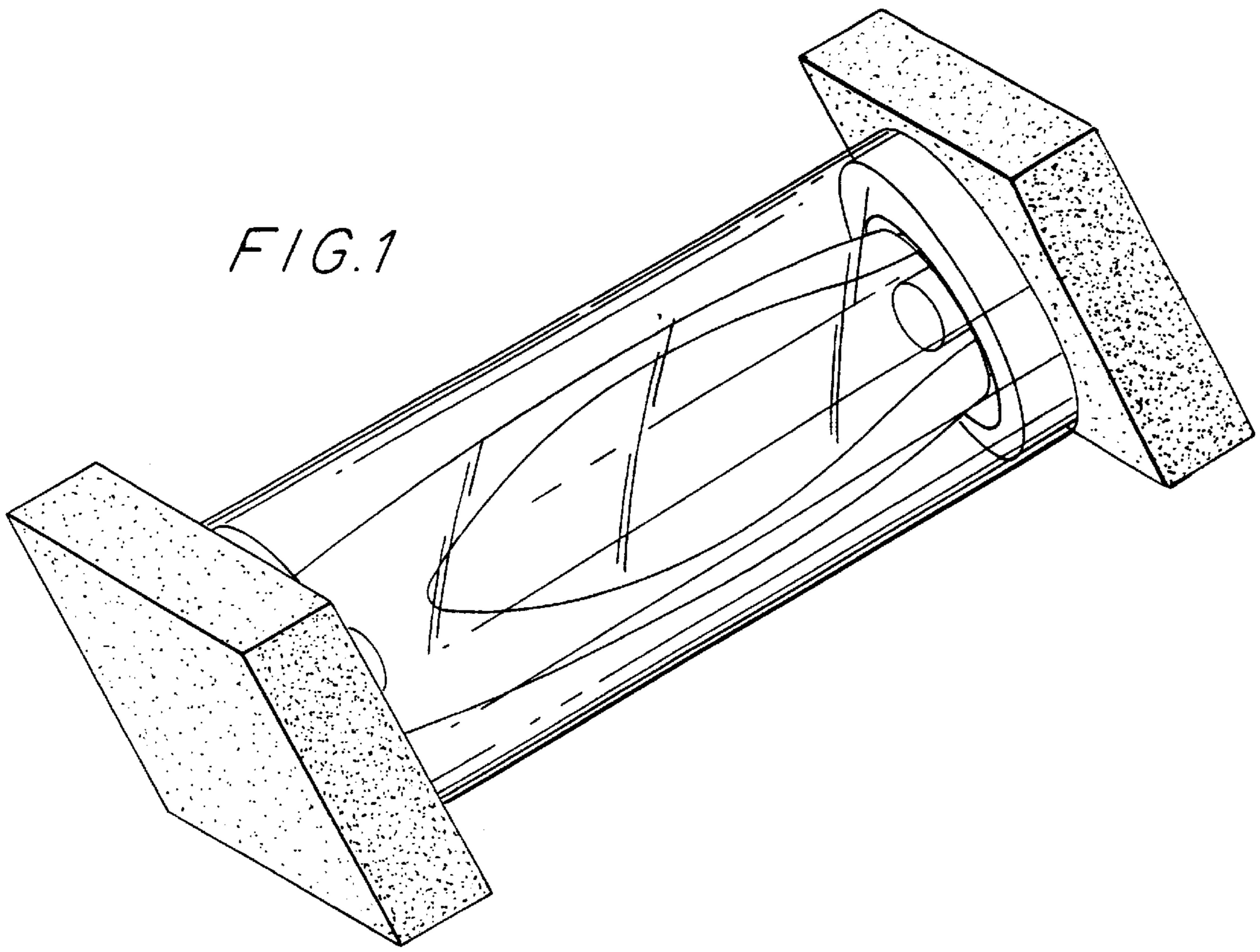


FIG. 2

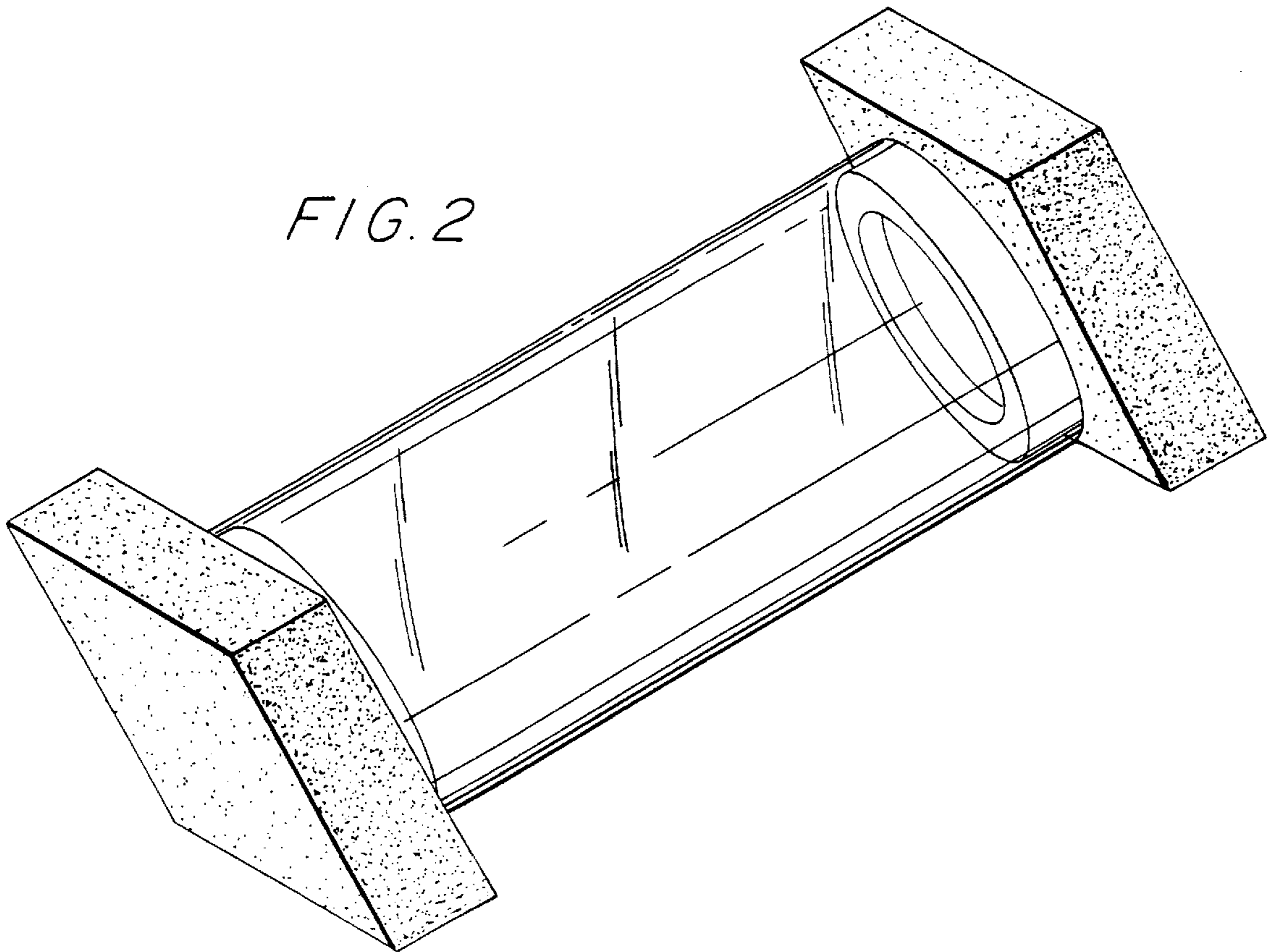


FIG. 3

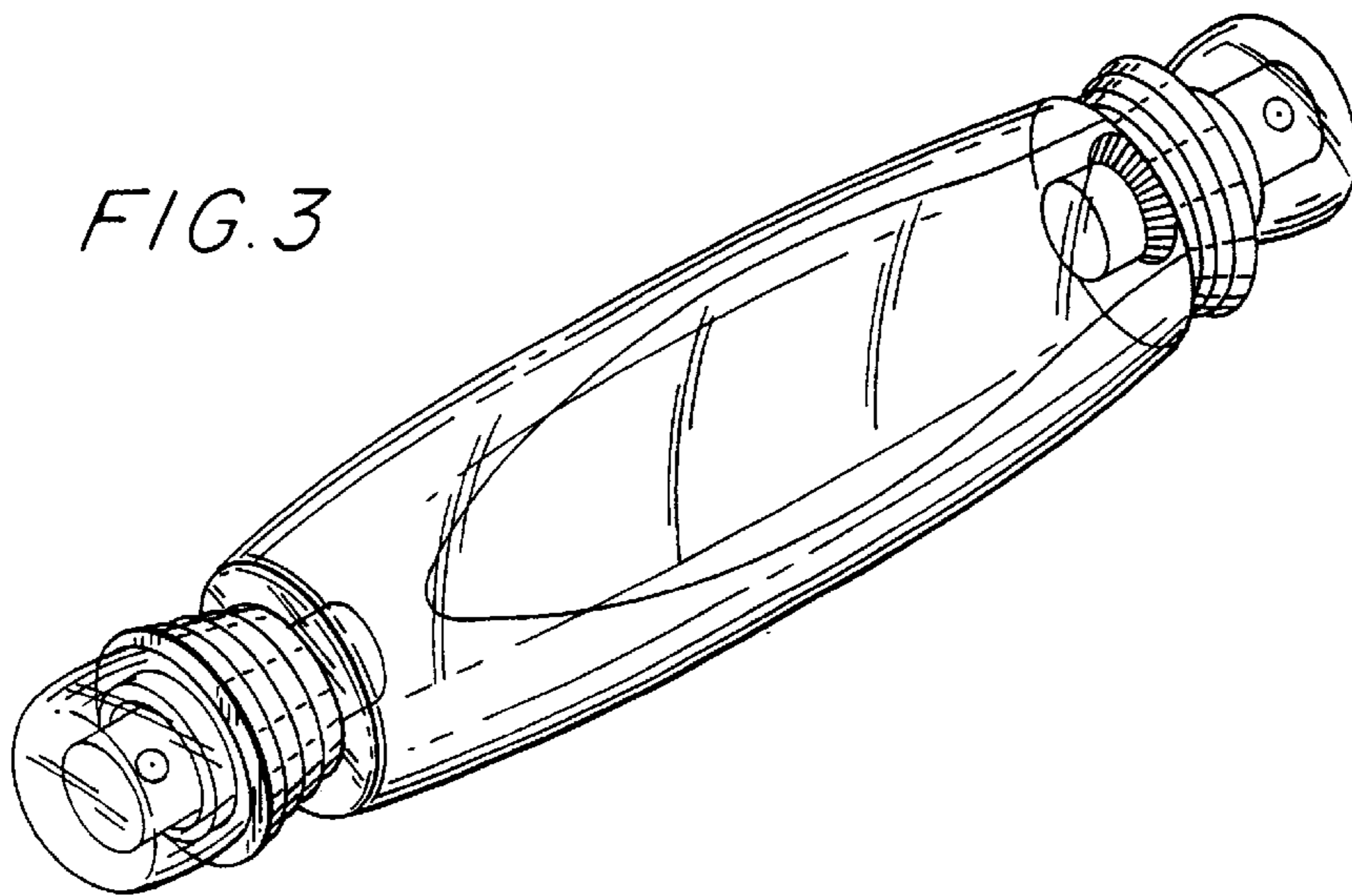


FIG. 4

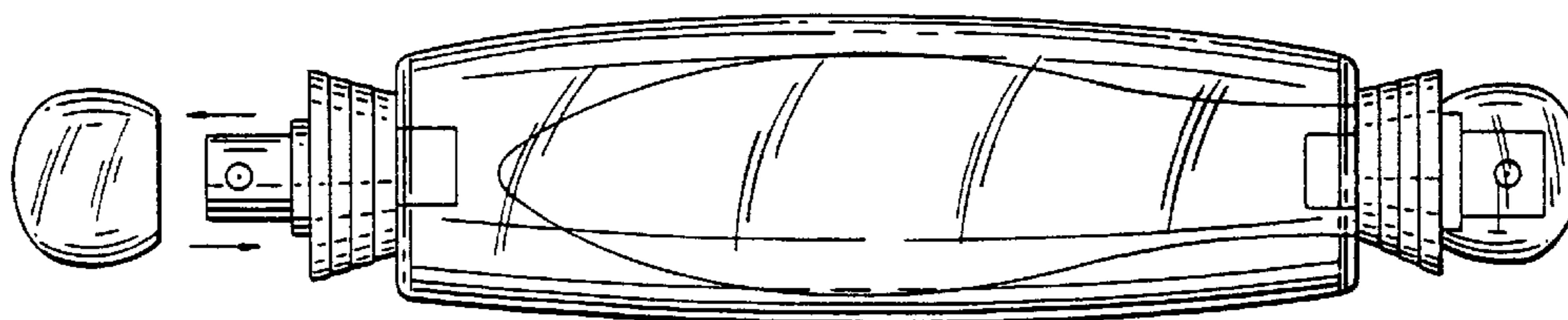


FIG. 5

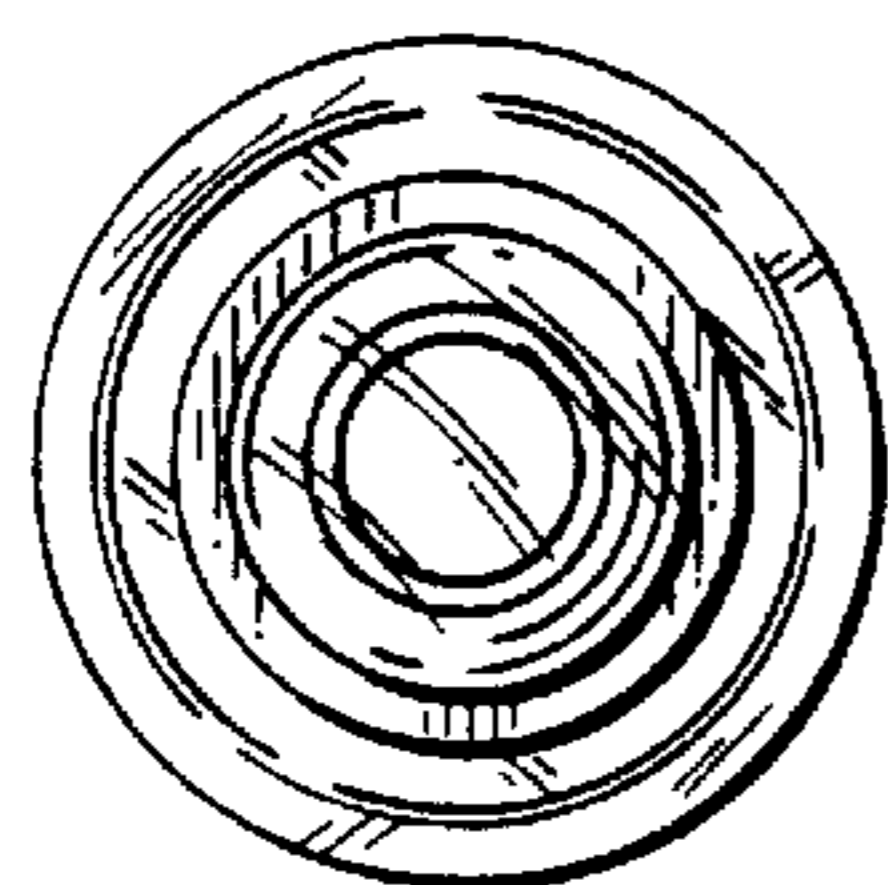


FIG. 6

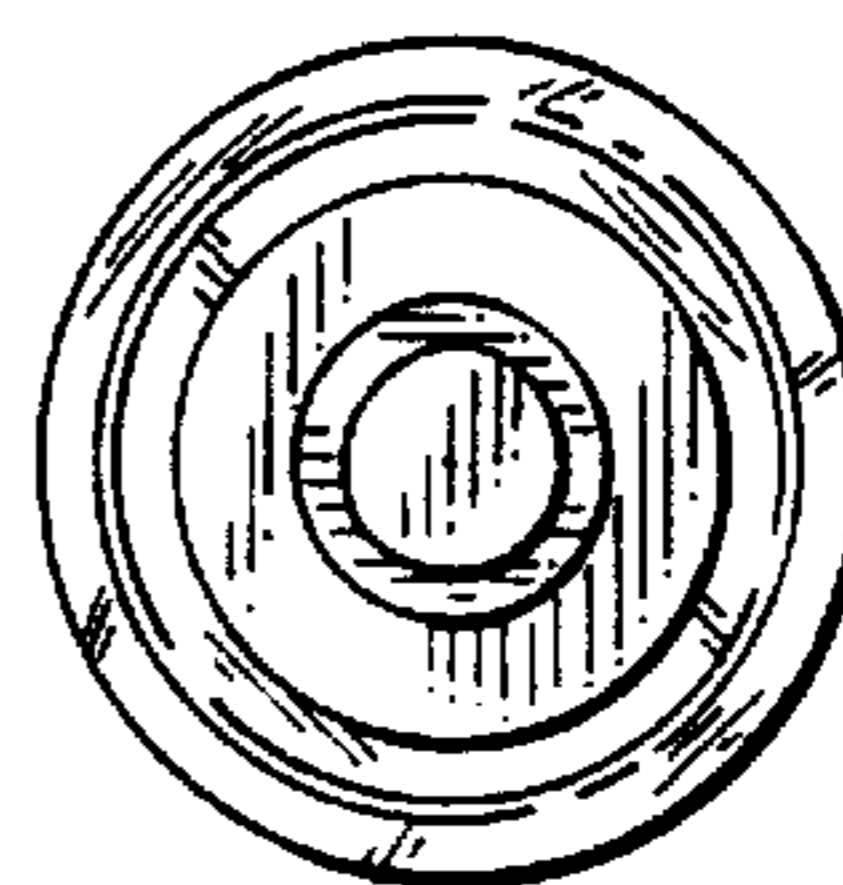


FIG. 7

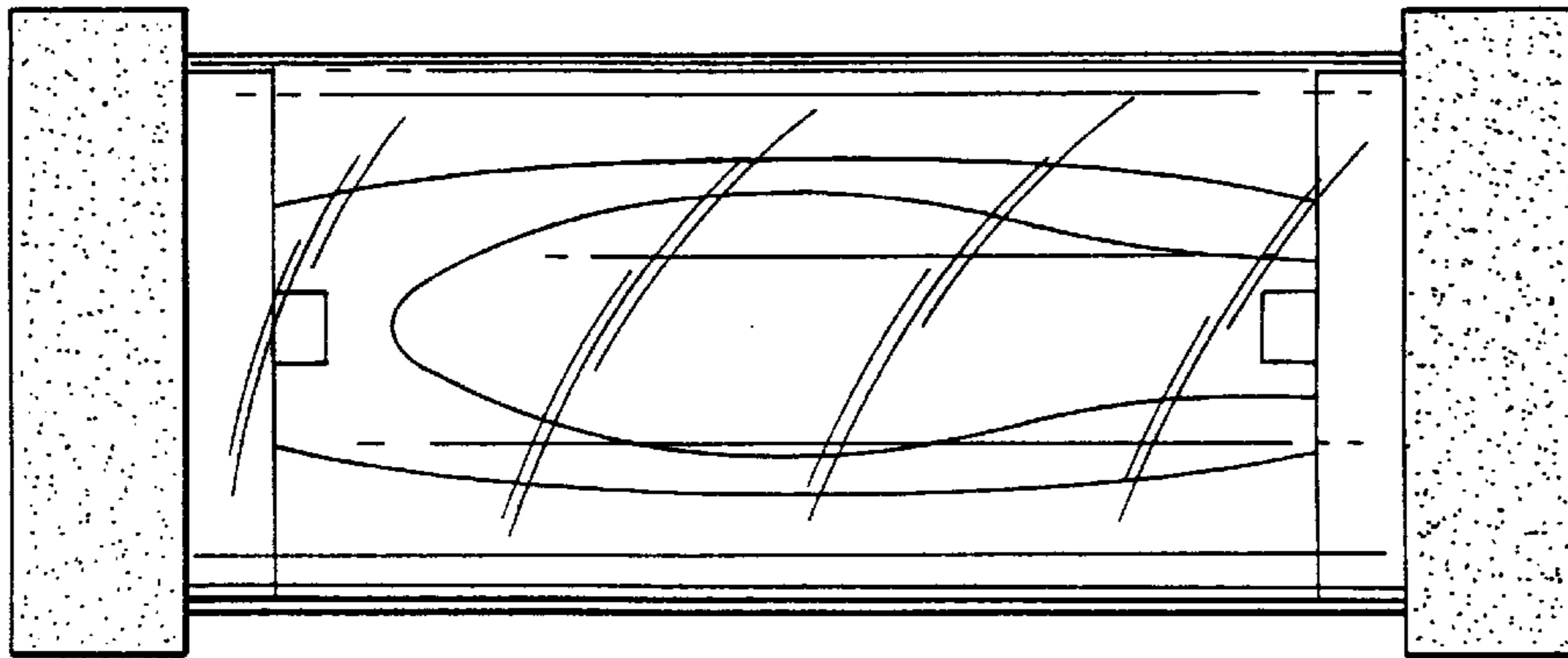


FIG. 8

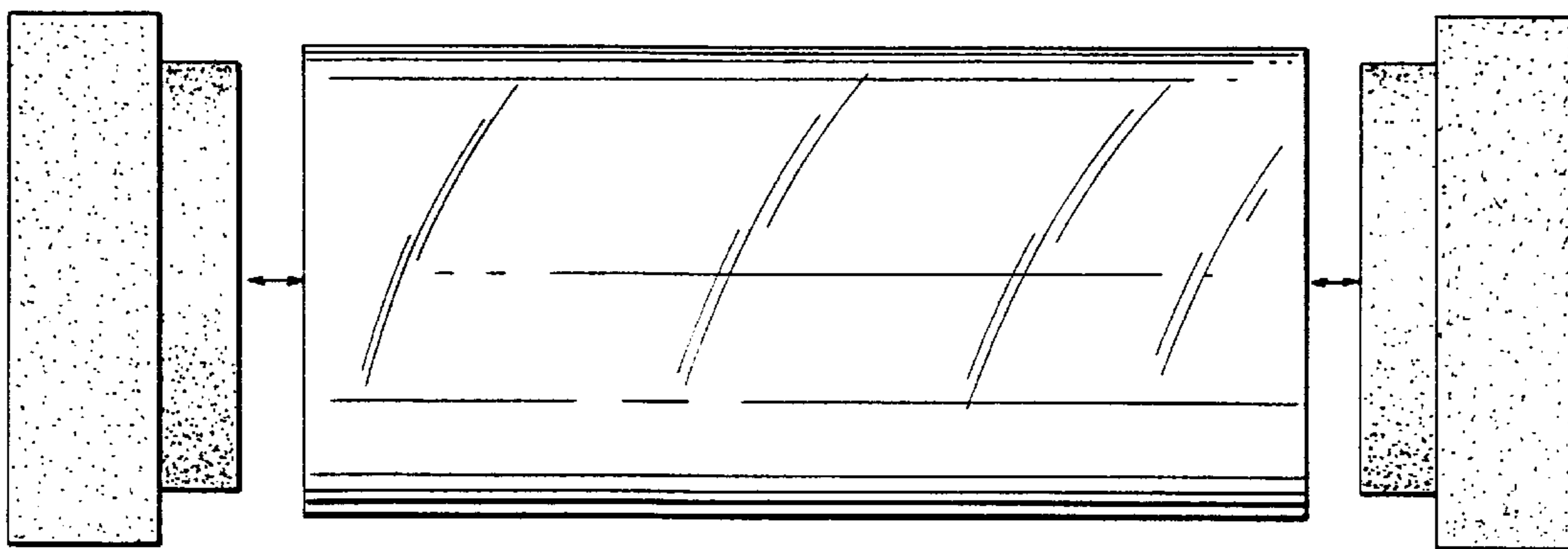


FIG. 9

