



US00D421389S

# United States Patent [19]

Briere et al.

[11] Patent Number: Des. 421,389

[45] Date of Patent: \*\* \*Mar. 7, 2000

[54] SAFETY CLOSURE HAVING A LUG WINDOW

[75] Inventors: Marc A. Briere, Newburgh; Christopher B. Clodfelter; William D. Sprick, both of Evansville, all of Ind.

[73] Assignee: Rexam Plastics Inc., Evansville, Ind.

[\*] Notice: This patent is subject to a terminal disclaimer.

[\*\*] Term: 14 Years

[21] Appl. No.: 29/093,172

[22] Filed: Sep. 4, 1998

### Related U.S. Application Data

[63] Continuation-in-part of application No. 08/861,793, May 22, 1997, Pat. No. 5,836,466.

[51] LOC (6) Cl. .... 09-07

[52] U.S. Cl. .... D9/453; D9/438; D9/443

[58] Field of Search ..... D9/435, 438, 443, D9/445, 453, 454, 503, 504, 529; 215/214, 216, 217, 250, 252-254, 256, 257; 220/265, 266, 270, 276, 279, 280

### [56] References Cited

#### U.S. PATENT DOCUMENTS

- D. 162,893 4/1951 Soffer ..... D9/443
- D. 162,894 4/1951 Soffer ..... D9/443
- D. 241,317 9/1976 Brackman ..... D9/529 X
- D. 370,845 6/1996 Sherman et al. .... D9/438
- D. 405,371 2/1999 Herr ..... D9/453 X
- 3,399,796 9/1968 Steiner .
- 3,445,022 5/1969 Cilluffo .

- 3,794,200 2/1974 Marks .
- 3,848,761 11/1974 Libit .
- 3,904,062 9/1975 Grussen ..... 215/252
- 3,934,744 1/1976 Curry .
- 3,949,893 4/1976 Uhlig .
- 3,984,021 10/1976 Uhlig .
- 3,993,208 11/1976 Ostrowsky .
- 3,993,209 11/1976 Julian .
- 4,037,747 7/1977 Acton et al. .

(List continued on next page.)

#### FOREIGN PATENT DOCUMENTS

- 977312 12/1964 United Kingdom ..... 215/254
- WO 90/02692 3/1990 WIPO .

Primary Examiner—Cathron B. Matta  
Attorney, Agent, or Firm—Middleton & Reutlinger; John F. Salazar; Charles G. Lamb

### [57] CLAIM

The ornamental design for a safety closure having a lug window, as shown and described.

#### DESCRIPTION

FIG. 1 is a top perspective view of a safety closure having a lug window according to a preferred embodiment of the present invention;

FIG. 2 is a front view of the safety closure having a lug window according to FIG. 1;

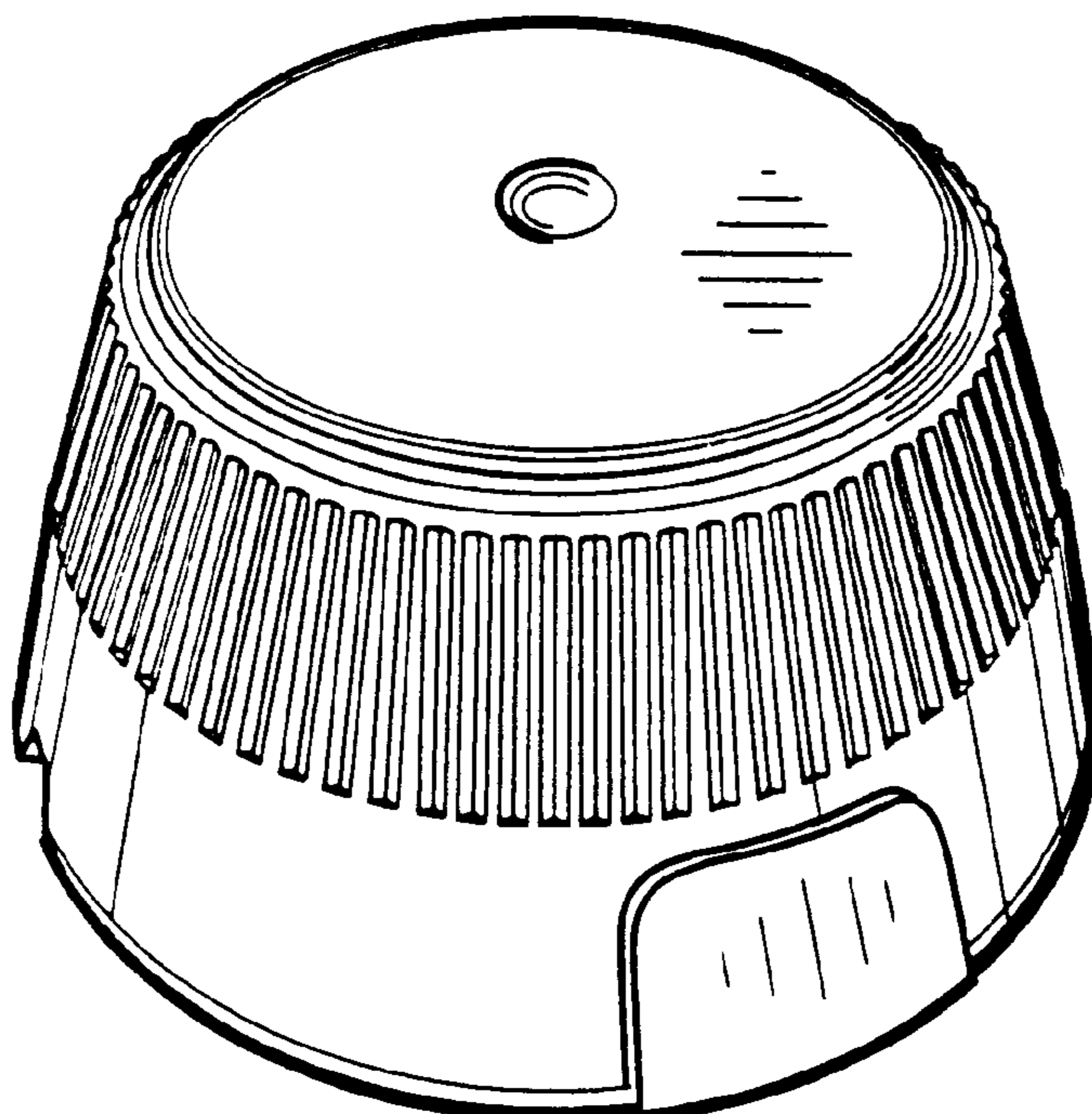
FIG. 3 is a left-side view of the safety closure having a lug window according to FIG. 1;

FIG. 4 is a top view of the safety closure having a lug window according to FIG. 1;

FIG. 5 is a bottom view of the safety closure having a lug window according to FIG. 1; and,

FIG. 6 is a bottom perspective view of the safety closure having a lug window according to FIG. 1.

1 Claim, 3 Drawing Sheets



# Des. 421,389

Page 2

---

| U.S. PATENT DOCUMENTS |         |                   |           |         |                    |           |
|-----------------------|---------|-------------------|-----------|---------|--------------------|-----------|
|                       |         |                   | 4,986,430 | 1/1991  | Dutt .....         | 215/253   |
| 4,213,534             | 7/1980  | Montgomery .      | 5,050,754 | 9/1991  | Marino .....       | 215/256   |
| 4,345,690             | 8/1982  | Hopley .          | 5,292,020 | 3/1994  | Narin .            |           |
| 4,351,443             | 9/1982  | Uhlig .           | 5,456,375 | 10/1995 | May .....          | 215/252   |
| 4,376,497             | 3/1983  | Mumford .....     | 5,460,281 | 10/1995 | Rapchak et al. .   |           |
|                       |         | 215/216 X         | 5,462,182 | 10/1995 | Opresco .          |           |
| 4,413,743             | 11/1983 | Summers .         | 5,560,505 | 10/1996 | Schneider et al. . |           |
| 4,452,363             | 6/1984  | Davis .....       | 5,673,809 | 10/1997 | Ohmi et al. ....   | 215/252   |
|                       |         | 215/216           | 5,727,703 | 3/1998  | Fuchs .....        | 215/214   |
| 4,456,136             | 6/1984  | Palsson .         | 5,819,967 | 10/1998 | Lo .....           | 215/216 X |
| 4,653,672             | 3/1987  | Tuerk et al. .... | 5,865,330 | 2/1999  | Buono .....        | 215/216   |
|                       |         | 215/216 X         |           |         |                    |           |
| 4,667,836             | 5/1987  | McLaren .....     |           |         |                    |           |
|                       |         | 215/216           |           |         |                    |           |
| 4,756,435             | 7/1988  | Schick et al. .   |           |         |                    |           |

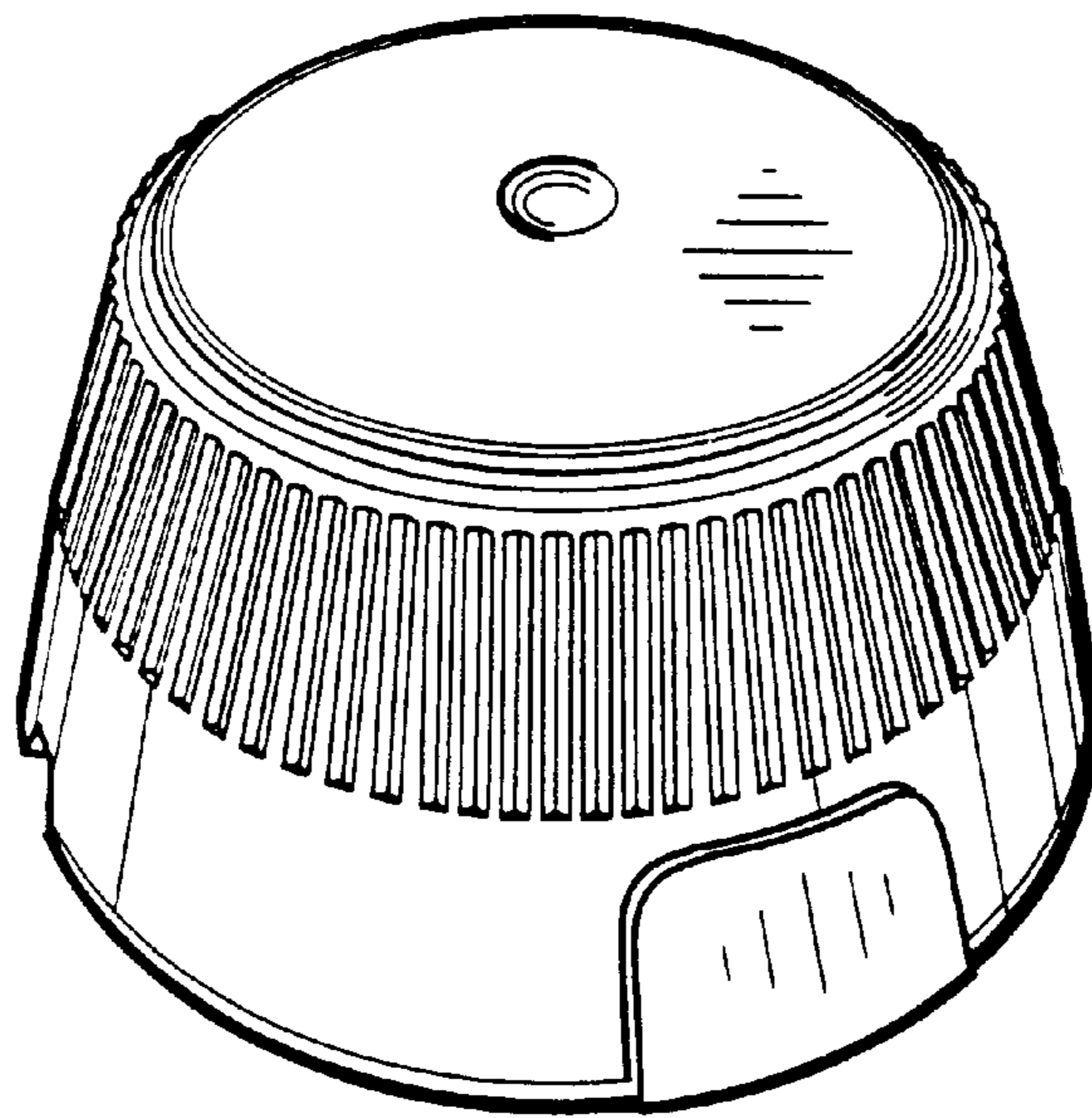


FIG. 1

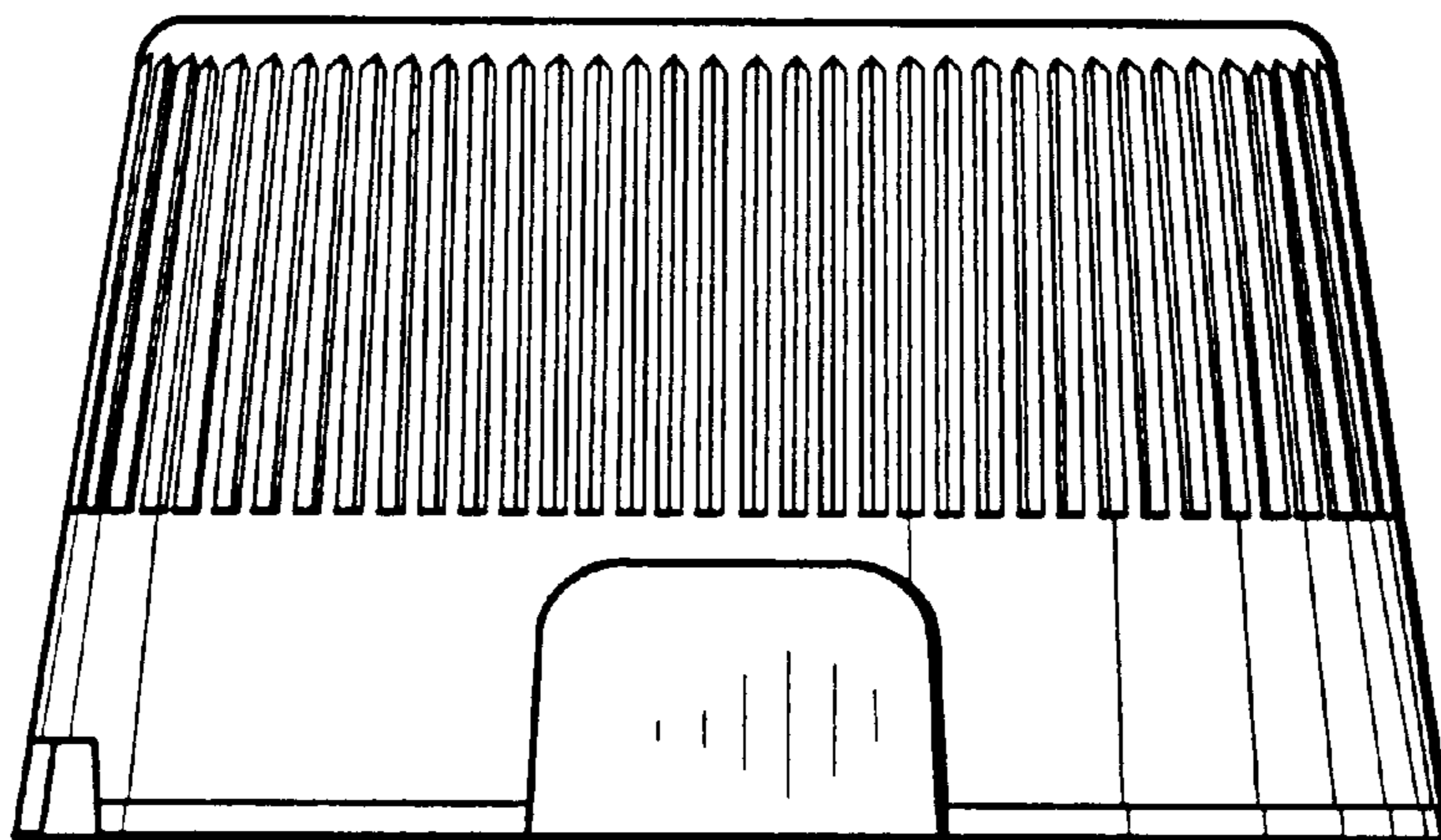


FIG. 2

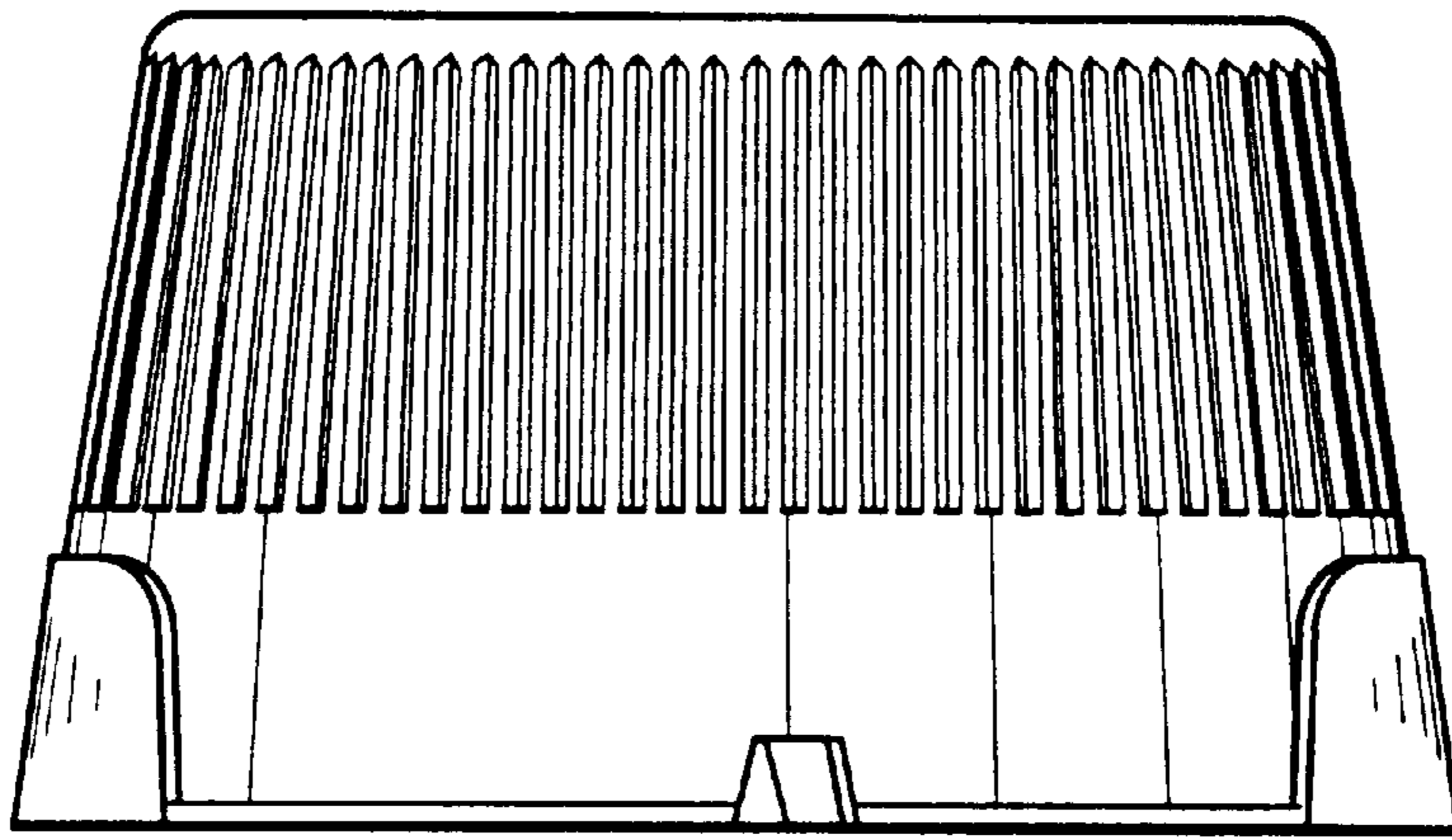


FIG. 3

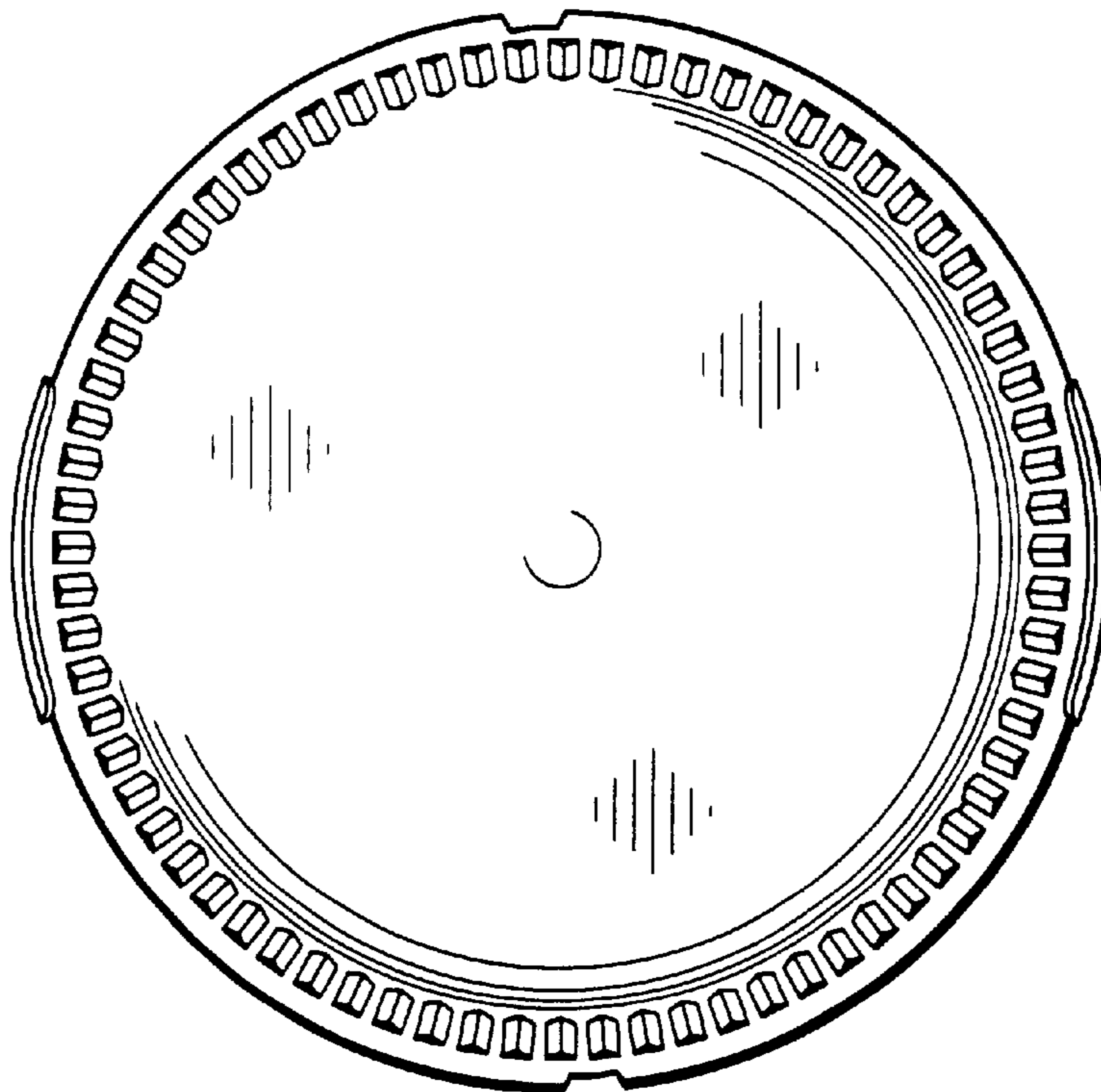


FIG. 4

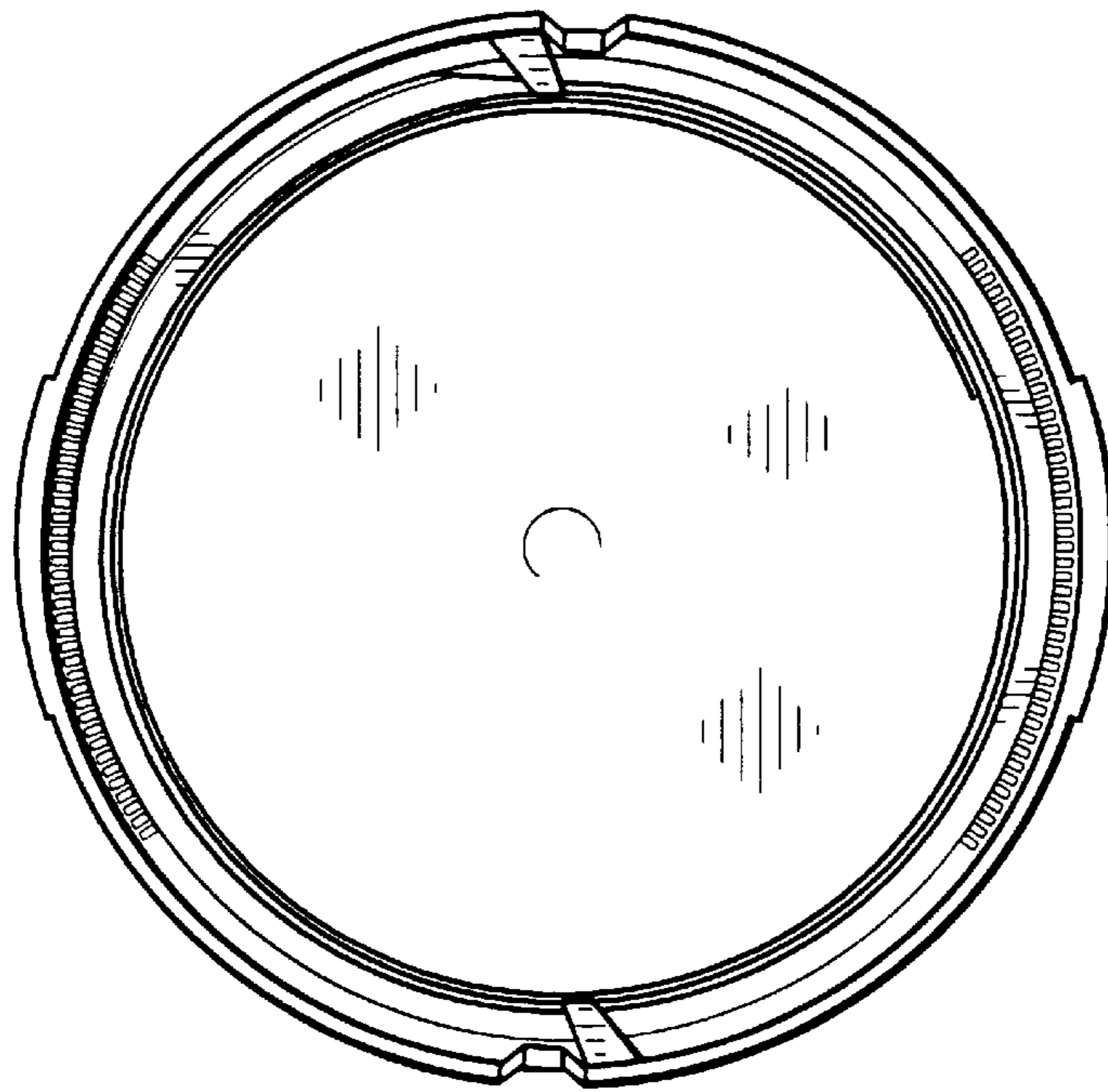


FIG. 5

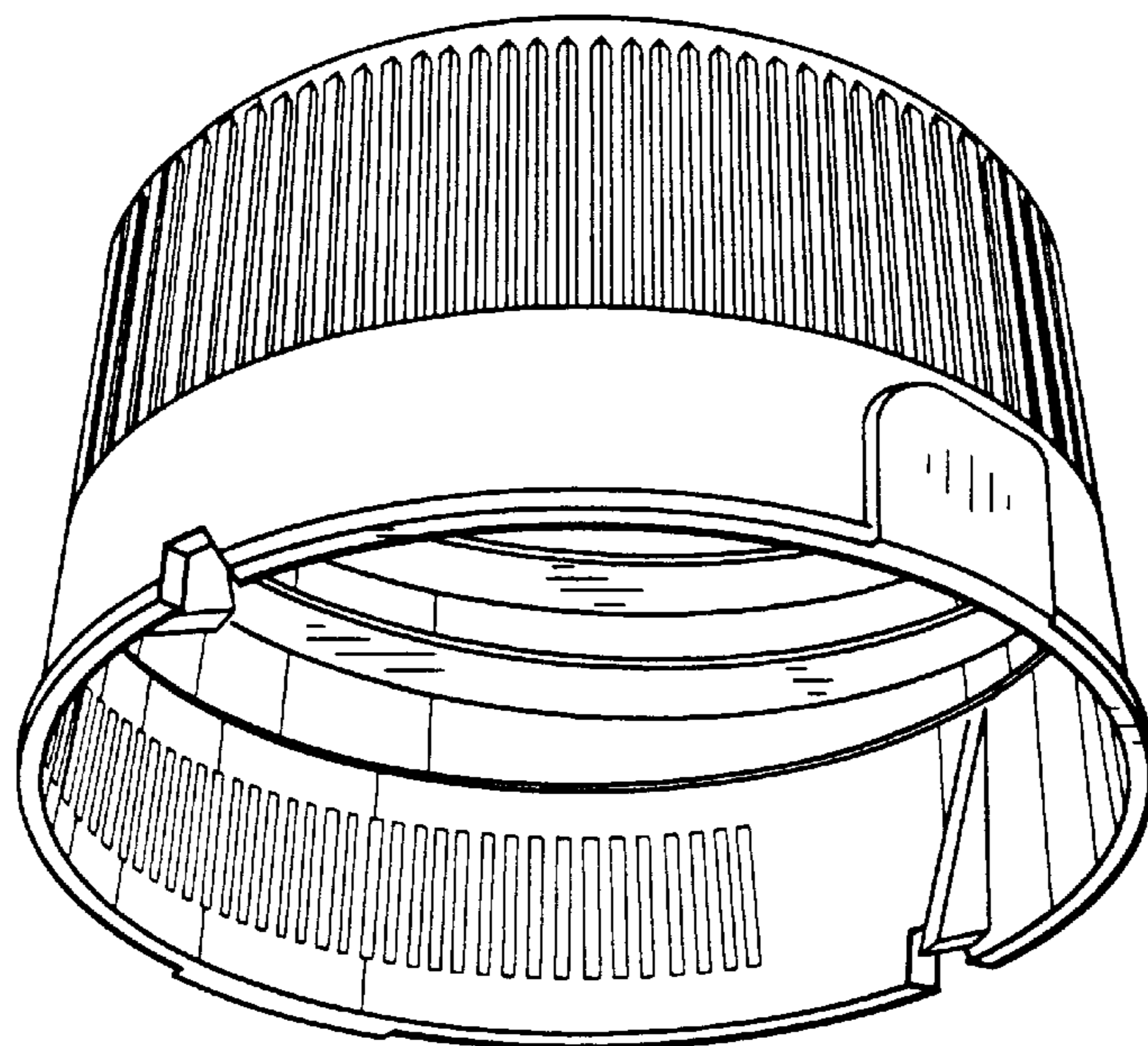


FIG. 6