



US00D421387S

United States Patent [19]
Grimaldi

[11] **Patent Number: Des. 421,387**

[45] **Date of Patent: ** Mar. 7, 2000**

[54] **LIQUID DISPENSER PUMP**

[76] Inventor: **Jaime Grimaldi**, Norte 16 #4917, Col. Capultitlan, 07380, Mexico

[**] Term: **14 Years**

[21] Appl. No.: **29/094,201**

[22] Filed: **Sep. 28, 1998**

[51] **LOC (6) Cl.** **09-07**

[52] **U.S. Cl.** **D9/448**

[58] **Field of Search** D9/338, 434, 440, D9/447, 448, 503; D6/542-545, 550; D7/669, 398; D8/14.1, 338; D23/259, 262; 222/320-320.1, 180-181.3, 571

[56] **References Cited**

U.S. PATENT DOCUMENTS

- D. 371,514 7/1996 Daansen D9/448
- D. 371,966 7/1996 Daansen D9/448
- D. 383,673 9/1997 Daansen D9/448

- D. 383,674 9/1997 Daansen D9/448
- D. 384,284 9/1997 Daansen D9/448
- D. 385,193 10/1997 Daansen D9/448
- D. 396,411 7/1998 Daansen D9/448

Primary Examiner—Cathron B. Matta
Attorney, Agent, or Firm—Jackson Walker L.L.P.

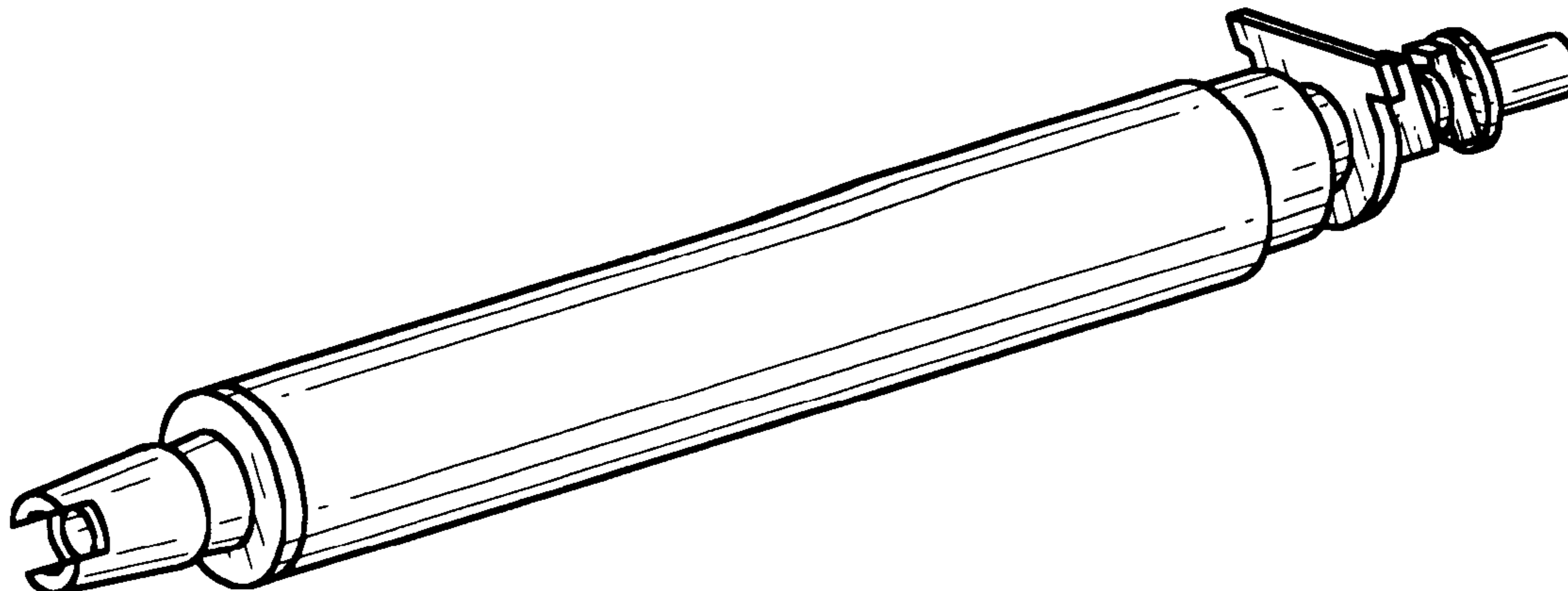
[57] **CLAIM**

The ornamental design for a liquid dispenser pump, as shown and described.

DESCRIPTION

FIG. 1 illustrates a left side, top perspective view of the present invention laying horizontally showing my design; FIG. 2 illustrates a front, side elevation view thereof; FIG. 3 illustrates a top, end view thereof; FIG. 4 illustrates a left, side elevation view thereof; FIG. 5 illustrates a rear, side elevation view thereof; FIG. 6 illustrates a bottom, end view thereof; and, FIG. 7 illustrates a right, side elevation view thereof.

1 Claim, 1 Drawing Sheet



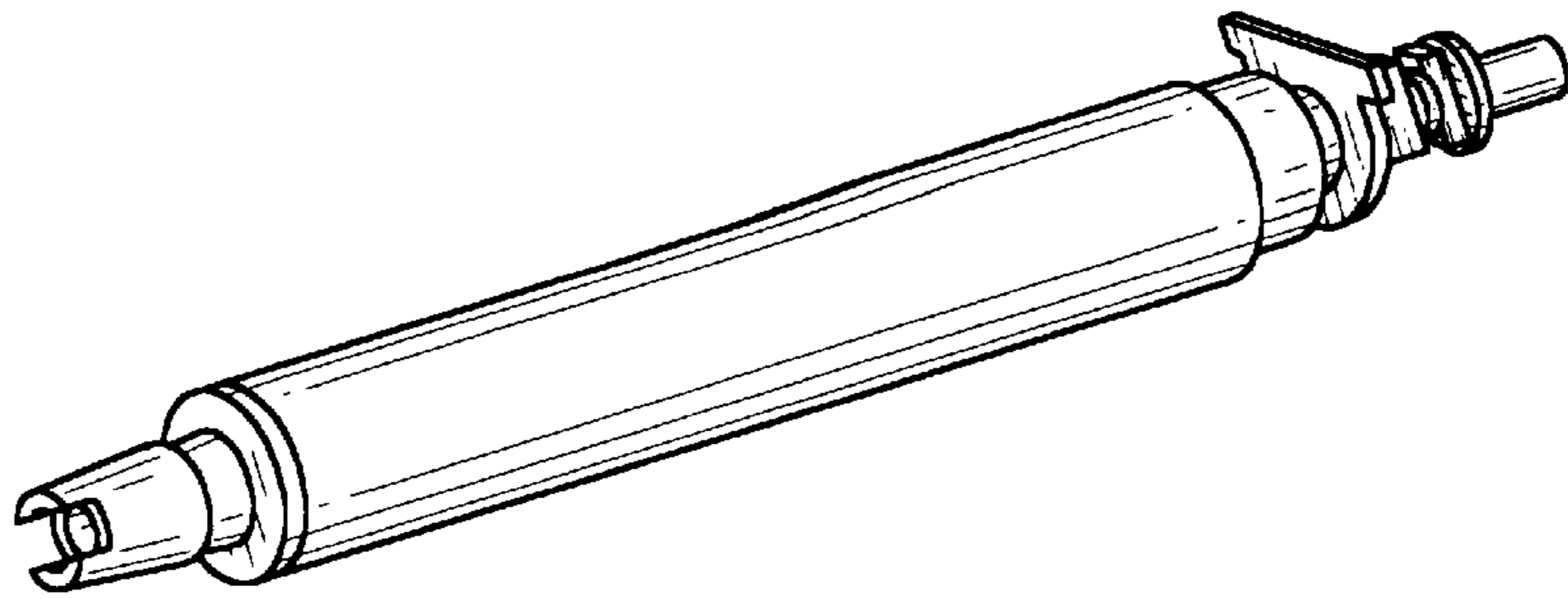


Fig. 1

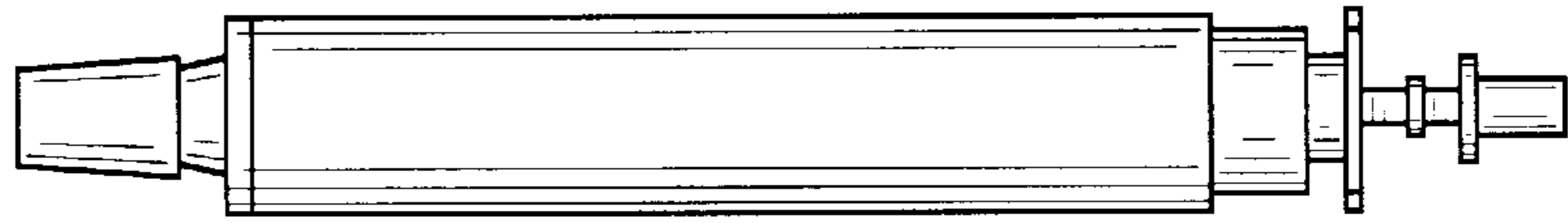


Fig. 2

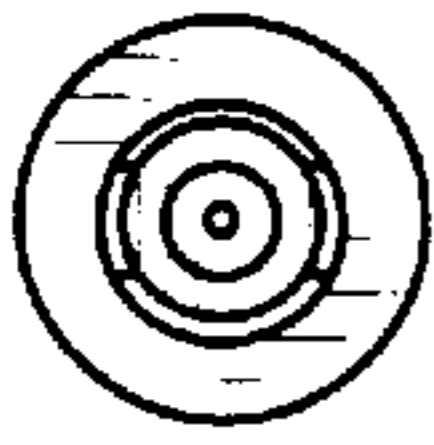


Fig. 3

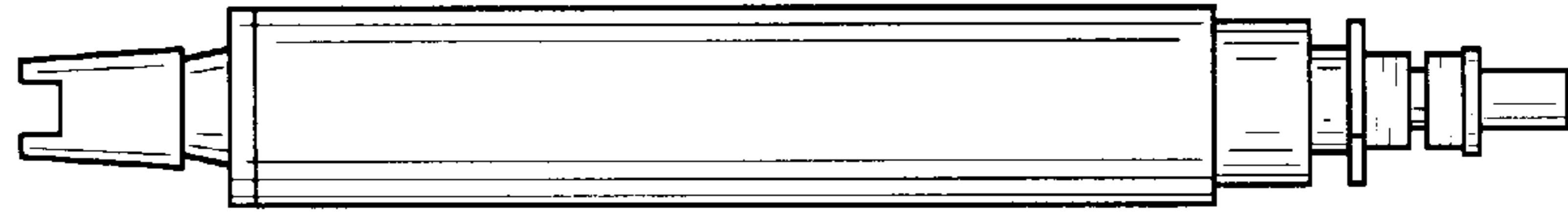


Fig. 4

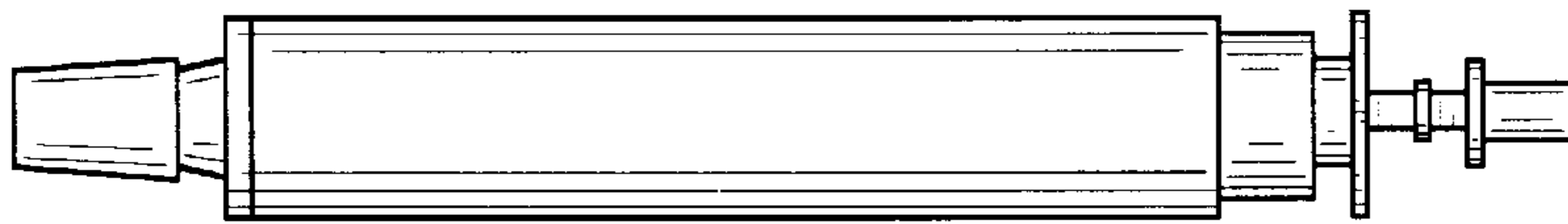


Fig. 5

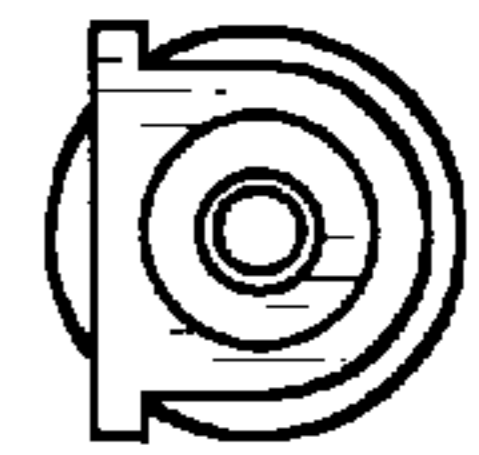


Fig. 6

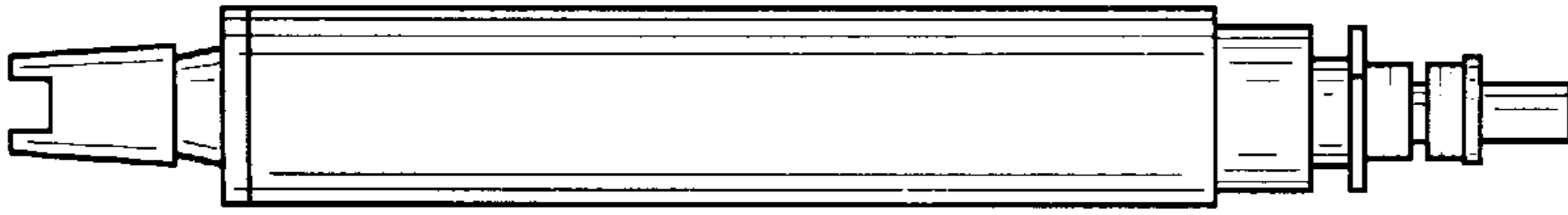


Fig. 7