



US00D421386S

United States Patent [19]

Ota et al.

[11] Patent Number: Des. 421,386

[45] Date of Patent: ** Mar. 7, 2000

[54] HANDLE FOR A CONTAINER

[75] Inventors: **Akiho Ota; Junichi Itokawa**, both of Tokyo; **Takao Iizuka**, Chiba-Ken, all of Japan

[73] Assignee: **Yoshino Kogyosho Co., Ltd.**, Tokyo, Japan

[**] Term: 14 Years

[21] Appl. No.: 29/085,400

[22] Filed: Mar. 23, 1998

[51] LOC (6) Cl. 09-07

[52] U.S. Cl. D9/434

[58] Field of Search D9/434, 527, 528, D9/531, 535, 536, 537; D7/393, 394, 533, 536; 215/386, 396, 398, 516; 220/752, 759, 770, 771, 775

[56] References Cited

U.S. PATENT DOCUMENTS

- D. 197,812 3/1964 Worthington .
- D. 199,590 11/1964 Sarafin .
- D. 318,229 7/1991 Umetsu D9/531
- 3,140,329 7/1964 Nuttinhg .
- 4,257,525 3/1981 Thompson .
- 4,273,246 6/1981 Thompson .
- 4,281,770 8/1981 Rainville .
- 4,363,415 12/1982 Rainville .
- 4,629,598 12/1986 Thompson .
- 4,727,997 3/1988 Nakamura et al. .
- 4,909,978 3/1990 Hasegawa et al. .
- 4,915,241 4/1990 Morimura et al. .
- 4,952,133 8/1990 Hasegawa et al. .
- 4,964,522 10/1990 Umetsu et al. .
- 5,092,476 3/1992 Yasuda et al. .

- 5,167,970 12/1992 Yoshino et al. .
- 5,297,686 3/1994 Takeuchi .
- 5,338,503 8/1994 Yanigisawa et al. .
- 5,407,086 4/1995 Ota et al. .
- 5,469,612 11/1995 Collette et al. .
- 5,535,901 7/1996 Ishii et al. .
- 5,560,506 10/1996 Yanigisawa .
- 5,637,167 6/1997 Krishnakumar et al. .

FOREIGN PATENT DOCUMENTS

- 650900-A1 5/1995 European Pat. Off. .
- 889343 2/1962 United Kingdom .

Primary Examiner—Cathron B. Matta
Attorney, Agent, or Firm—Oliff & Berridge, PLC

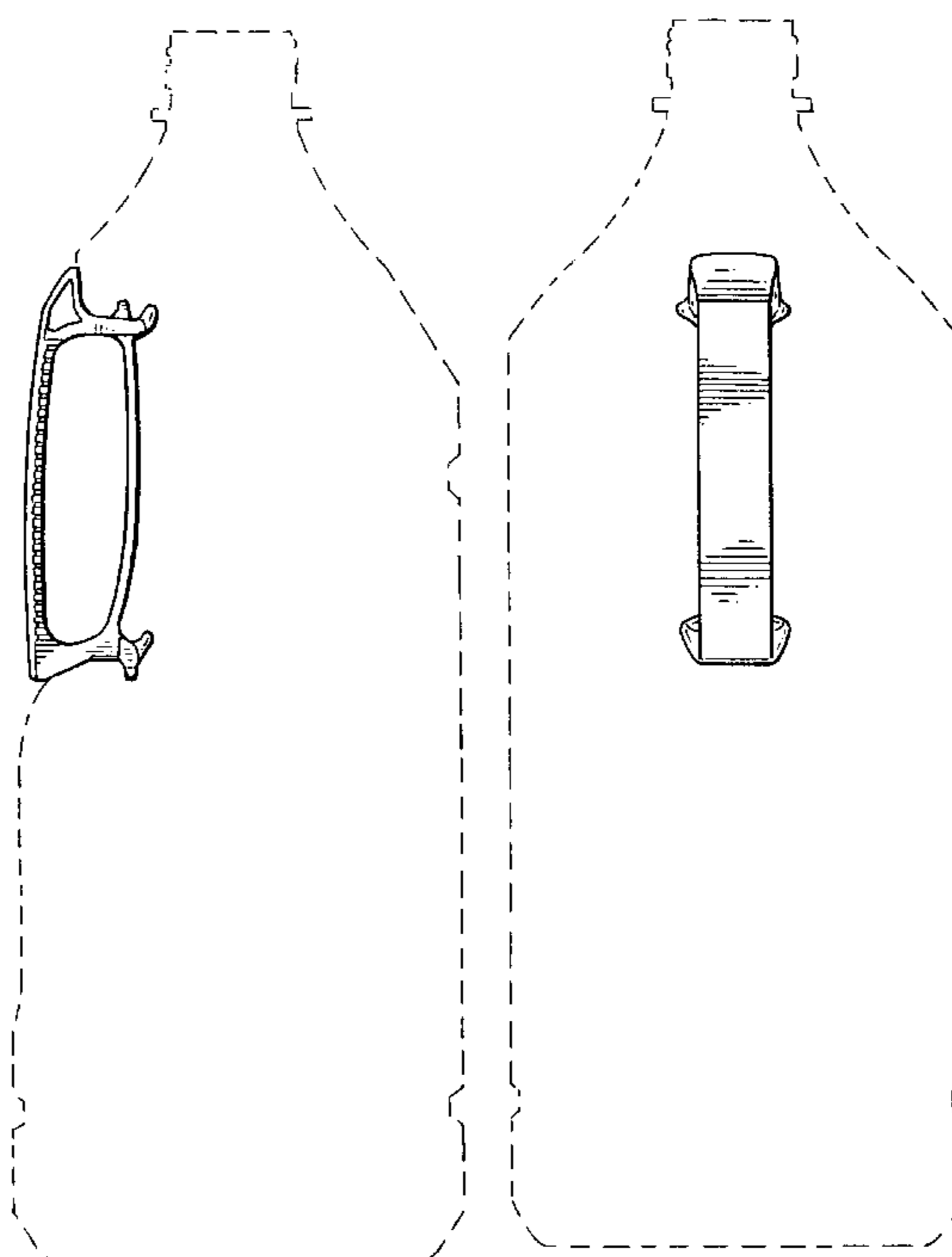
[57] CLAIM

The ornamental design for handle for a container, as shown and described.

DESCRIPTION

FIG. 1 is a right side elevation view of a handle for a container showing our new design, the left side elevation view being a mirror image thereto;
 FIG. 2 is a front view thereof;
 FIG. 3 is a rear view thereof;
 FIG. 4 is a top view thereof;
 FIG. 5 is a bottom view thereof;
 FIG. 6 is a side view of the handle of FIG. 1, shown at an enlarged scale and shown without the container, the opposite side view being a mirror image;
 FIG. 7 is a front view of FIG. 6;
 FIG. 8 is a rear view of FIG. 6;
 FIG. 9 is a top view of FIG. 6; and,
 FIG. 10 is a bottom view of FIG. 6.
 The broken line showing of a container is for illustrative purposes only and forms no part of the claimed design.

1 Claim, 4 Drawing Sheets



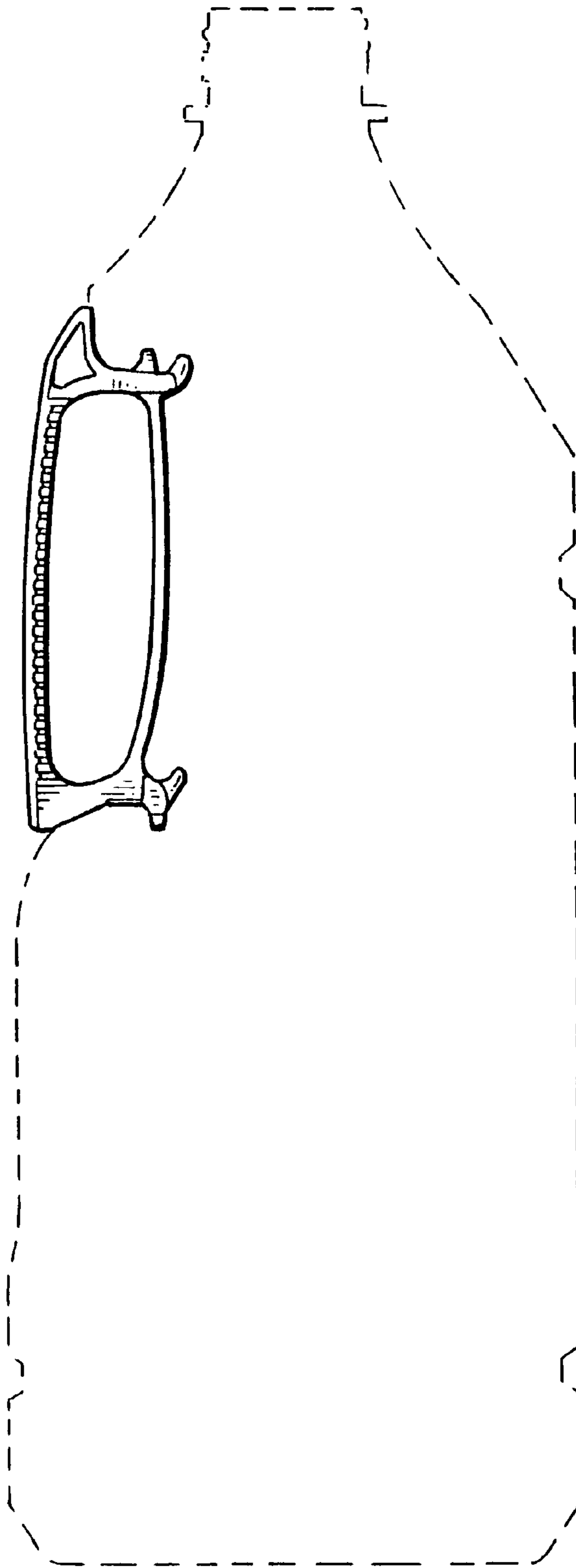


FIG. 1

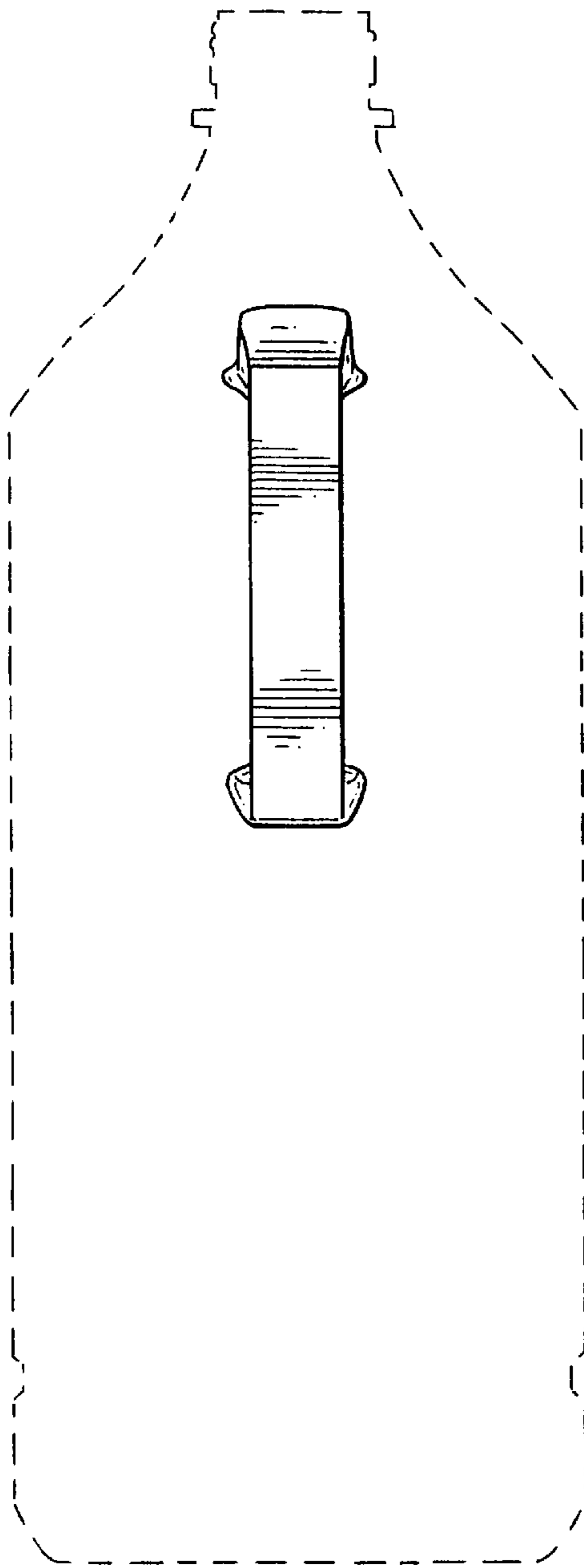


FIG. 2

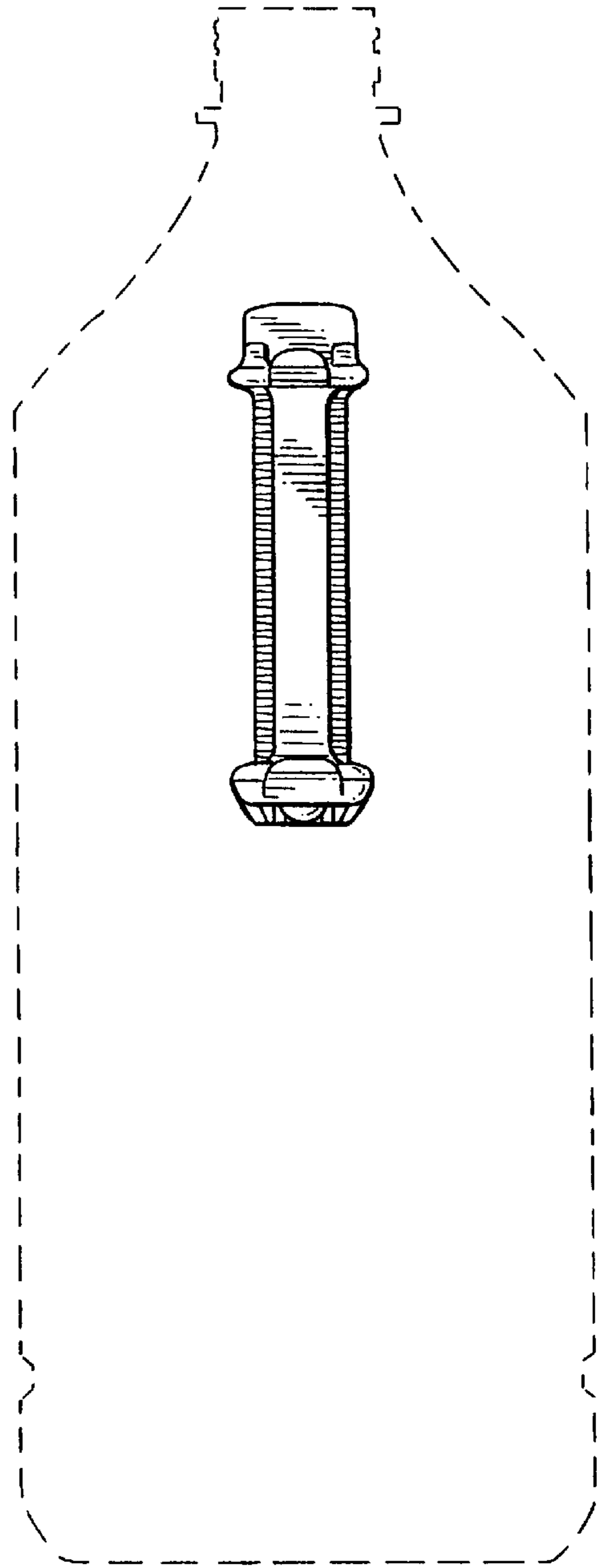


FIG. 3

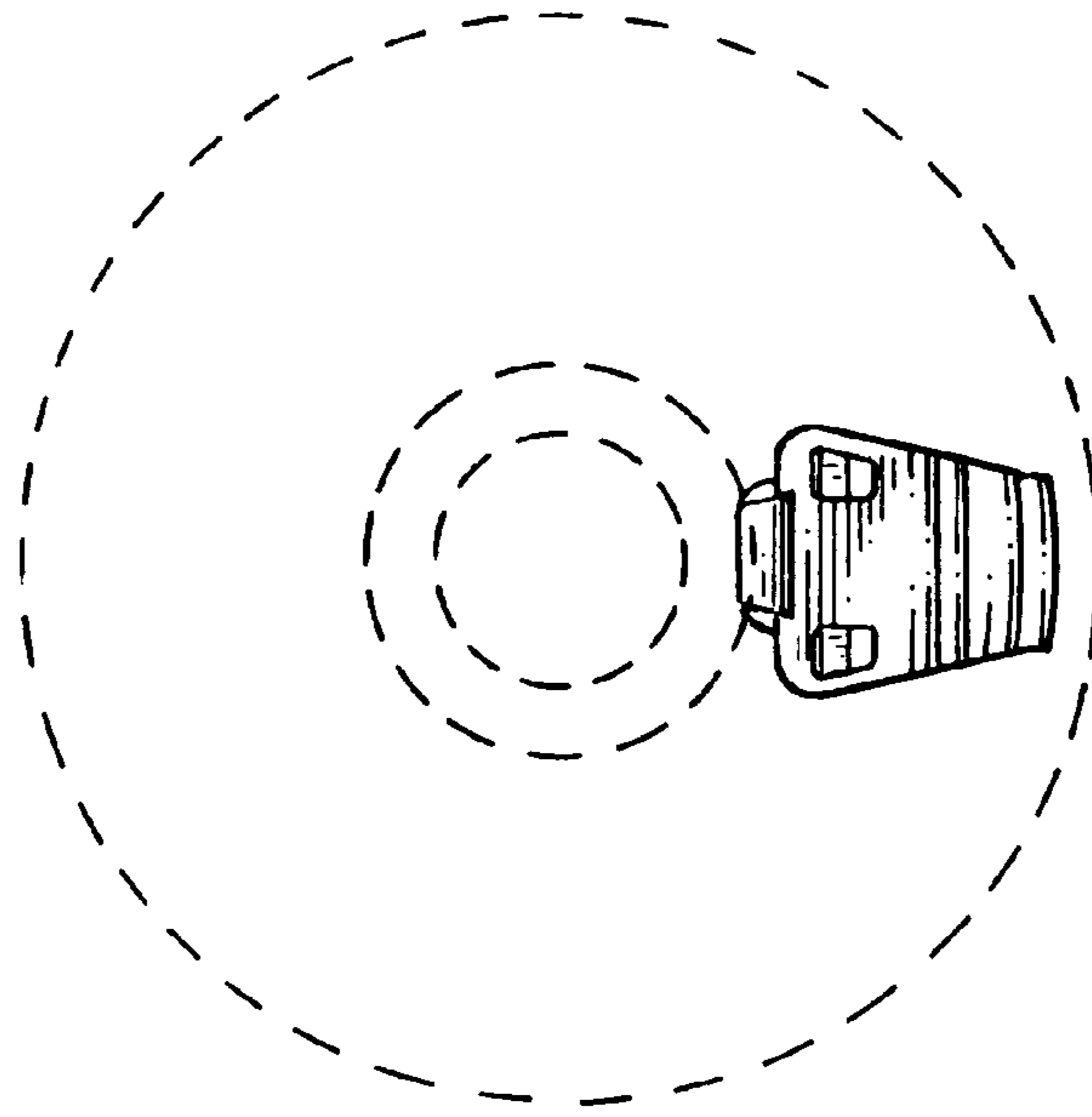


FIG. 4

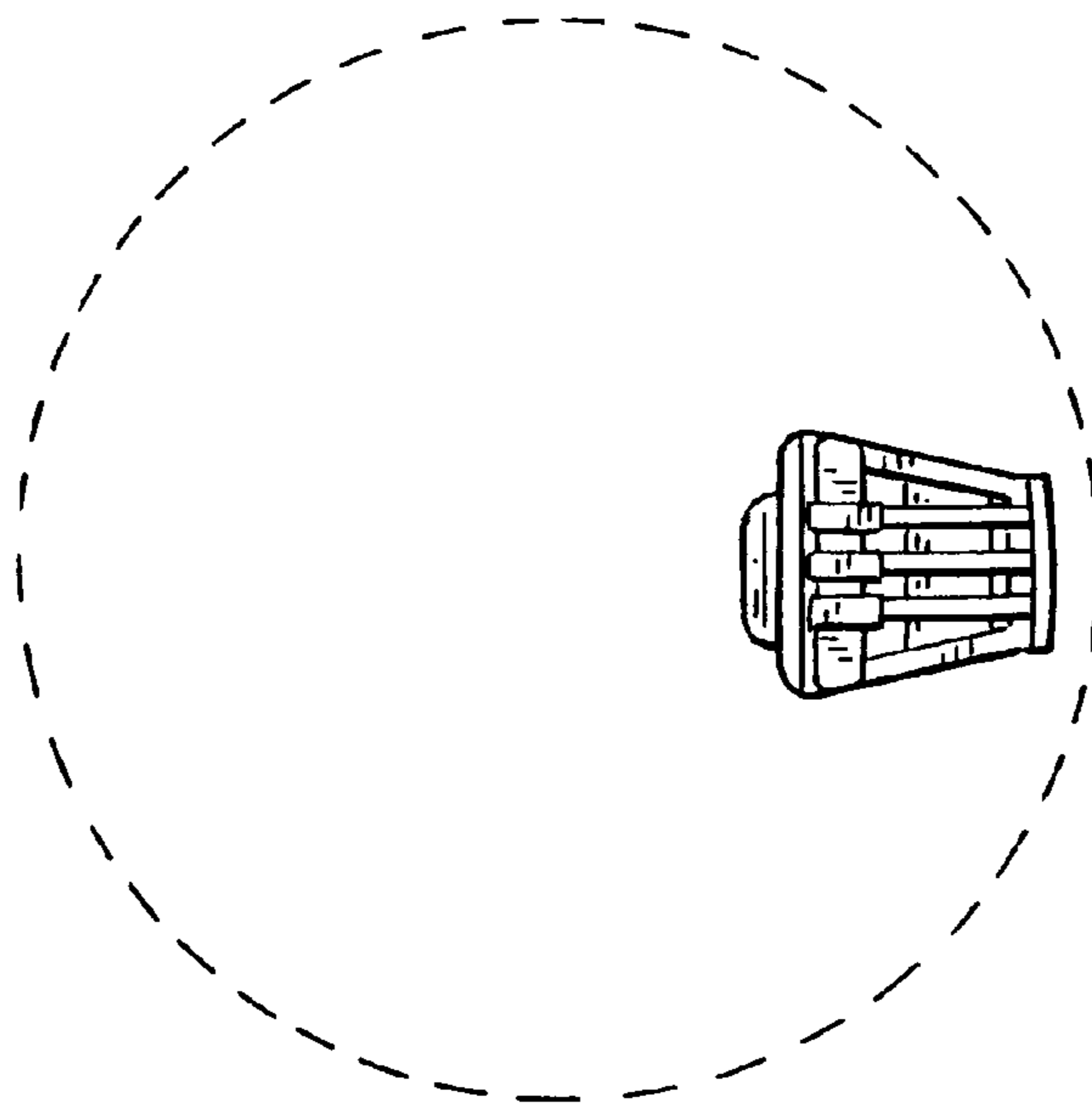


FIG. 5

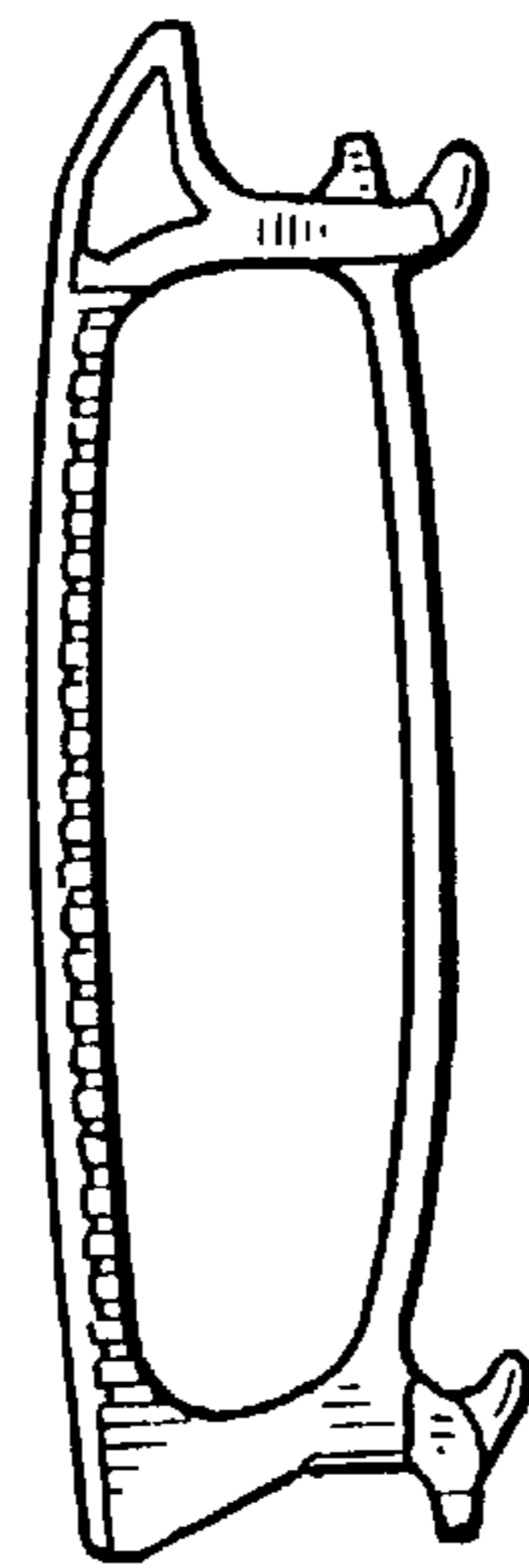


FIG. 6

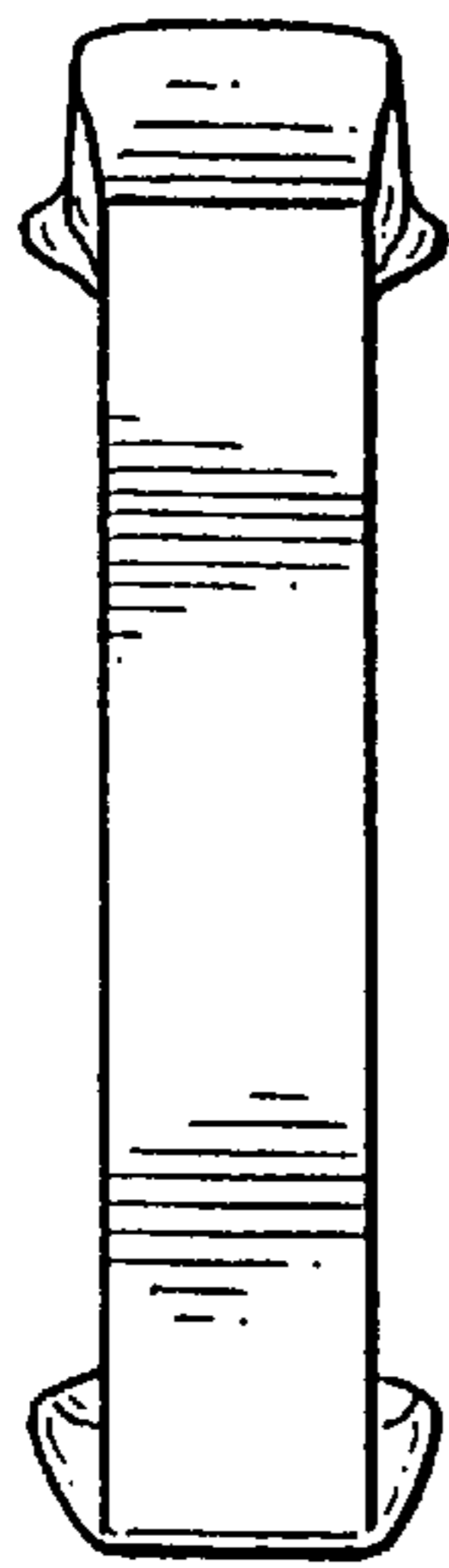


FIG. 7

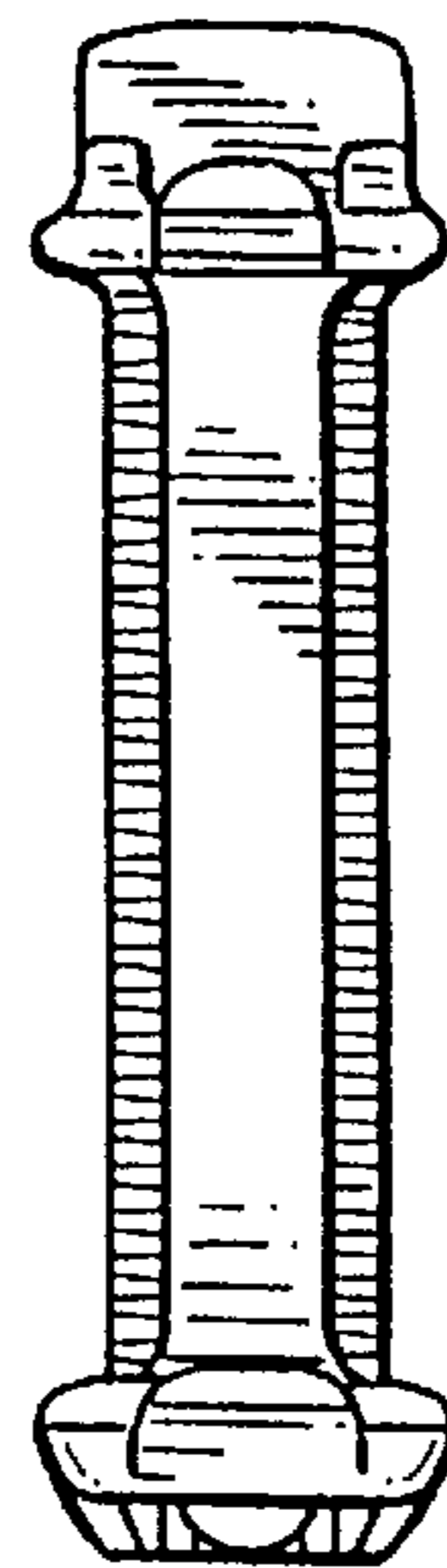


FIG. 8

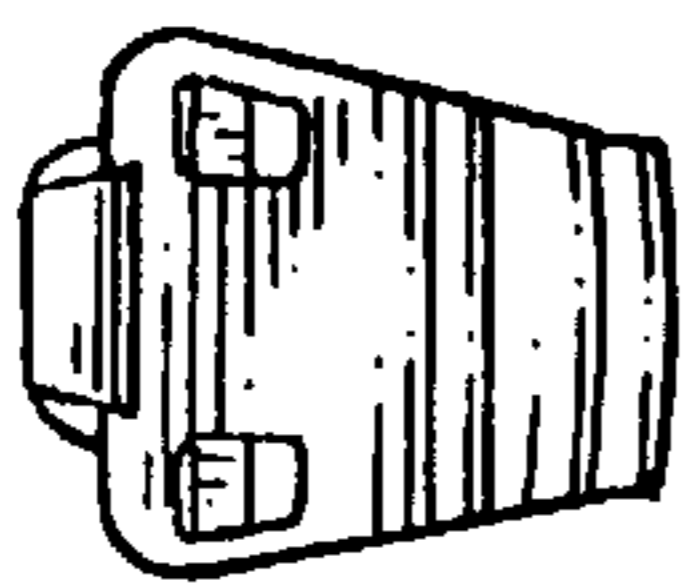


FIG. 9

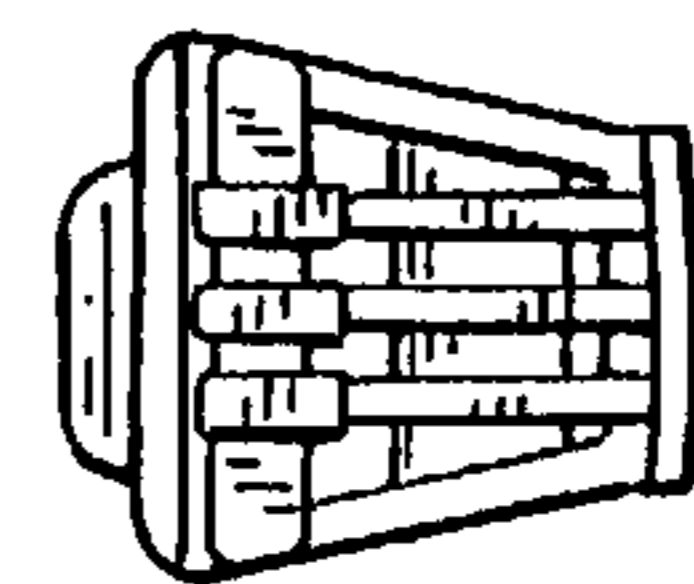


FIG. 10