



US00D421383S

United States Patent [19]

[11] **Patent Number: Des. 421,383**

Walker et al.

[45] **Date of Patent: ** Mar. 7, 2000**

[54] **HARD HAT HANGER**

Attorney, Agent, or Firm—John V. Stewart

[76] Inventors: **Michael Cordell Walker**, 1855 Lillian Dr.; **John Travis Walker**, 7050 Bridle Path, both of St. Cloud, Fla. 34771

[57] **CLAIM**

We claim the ornamental design for a hard hat hanger, as shown and described.

[**] Term: **14 Years**

DESCRIPTION

[21] Appl. No.: **29/100,684**

FIG. 1 is an upper left perspective view of a hard hat hanger according to the invention;

[22] Filed: **Feb. 16, 1999**

FIG. 2 is a lower right perspective view;

[51] **LOC (6) Cl.** **08-05**

FIG. 3 is a left side view, the right side being a mirror image;

[52] **U.S. Cl.** **D8/373**

FIG. 4 is a section taken on line 4 of FIG. 3 showing the structural form of the invention;

[58] **Field of Search** D8/354, 367, 373; 248/205.5, 205.4, 205.6, 206.2, 206.3, 206.4

FIG. 5 is a front view;

FIG. 6 is a top view;

FIG. 7 is a bottom view;

FIG. 8 is a back view; and,

FIG. 9 is an environmental perspective view.

[56] **References Cited**

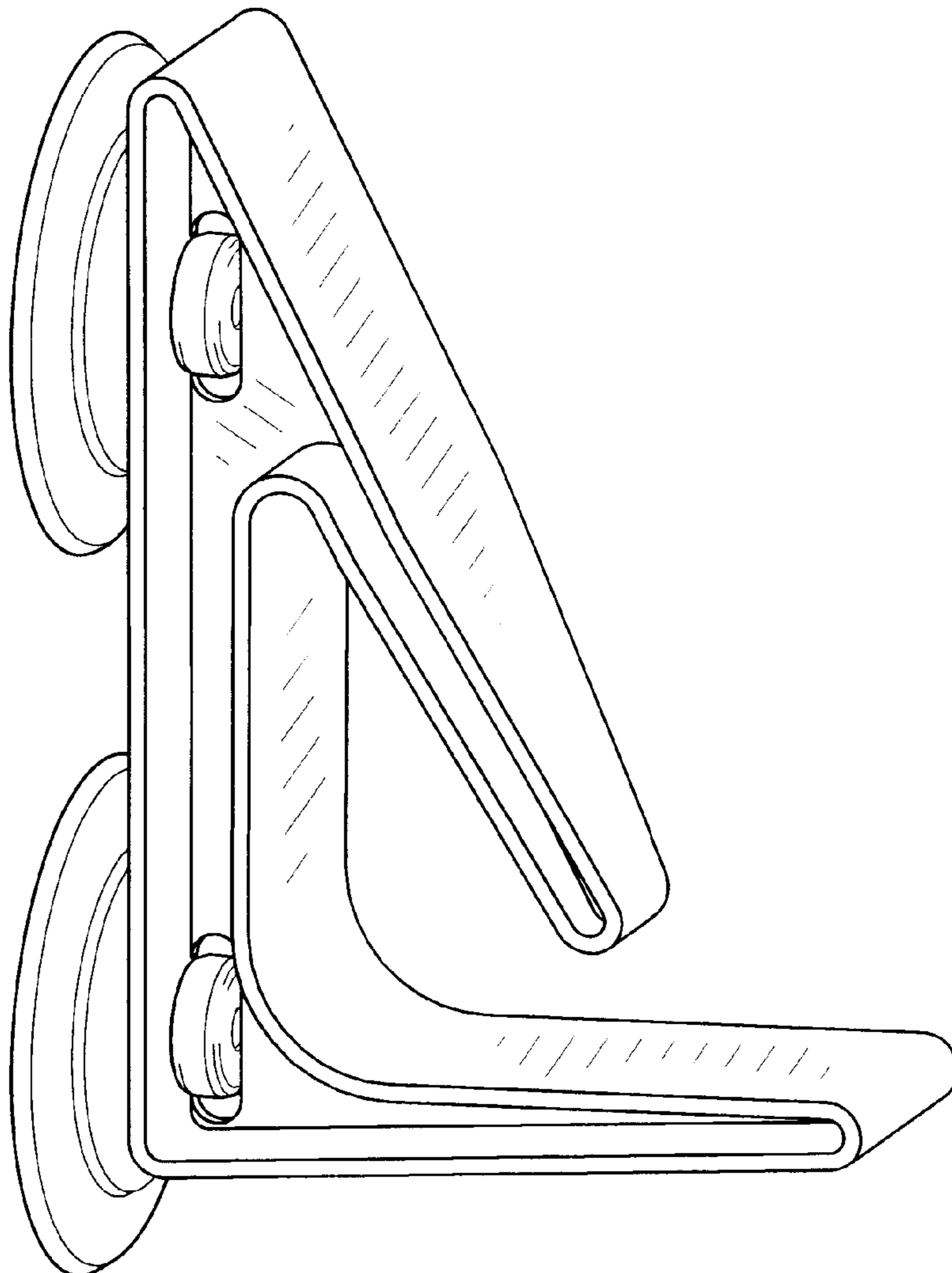
U.S. PATENT DOCUMENTS

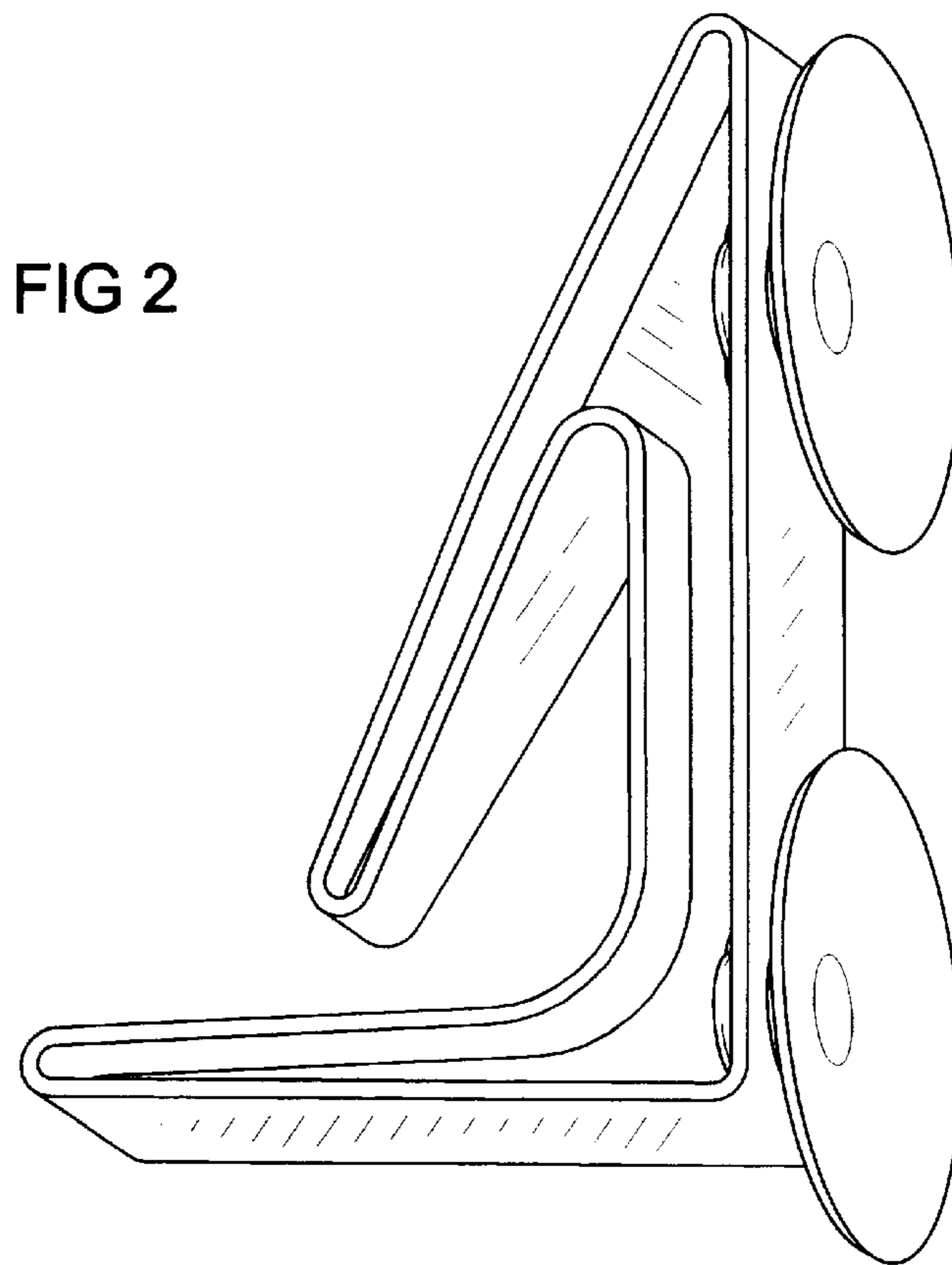
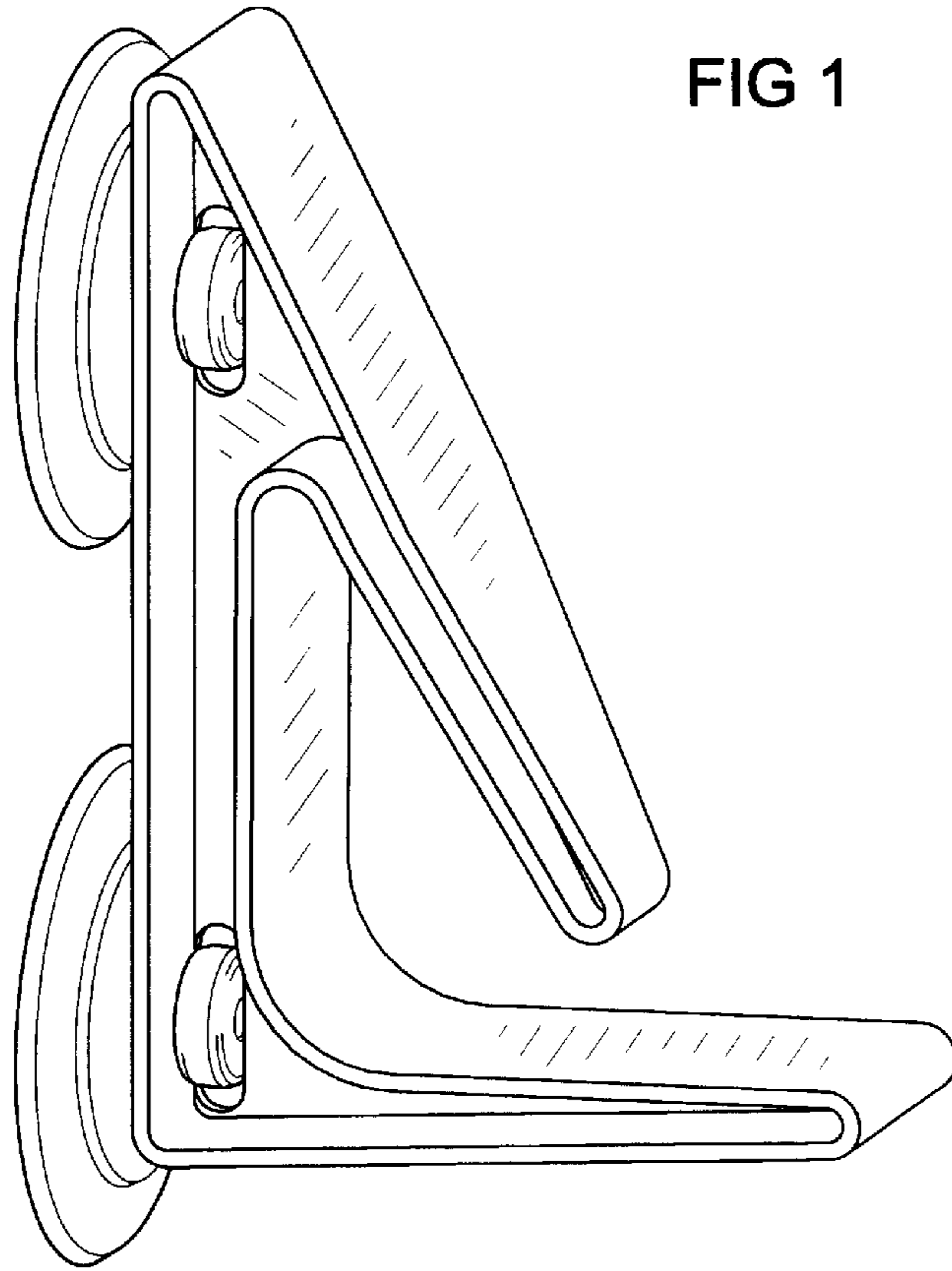
D. 322,361	12/1991	Goodman et al.	D8/367 X
D. 371,006	6/1996	Walker et al. .	
4,279,396	7/1981	Bendock	248/205.5

The broken line showing of a hard hat in FIG. 9 is for illustrative purposes only, and forms no part of the claimed design.

Primary Examiner—Holly Baynham

1 Claim, 3 Drawing Sheets





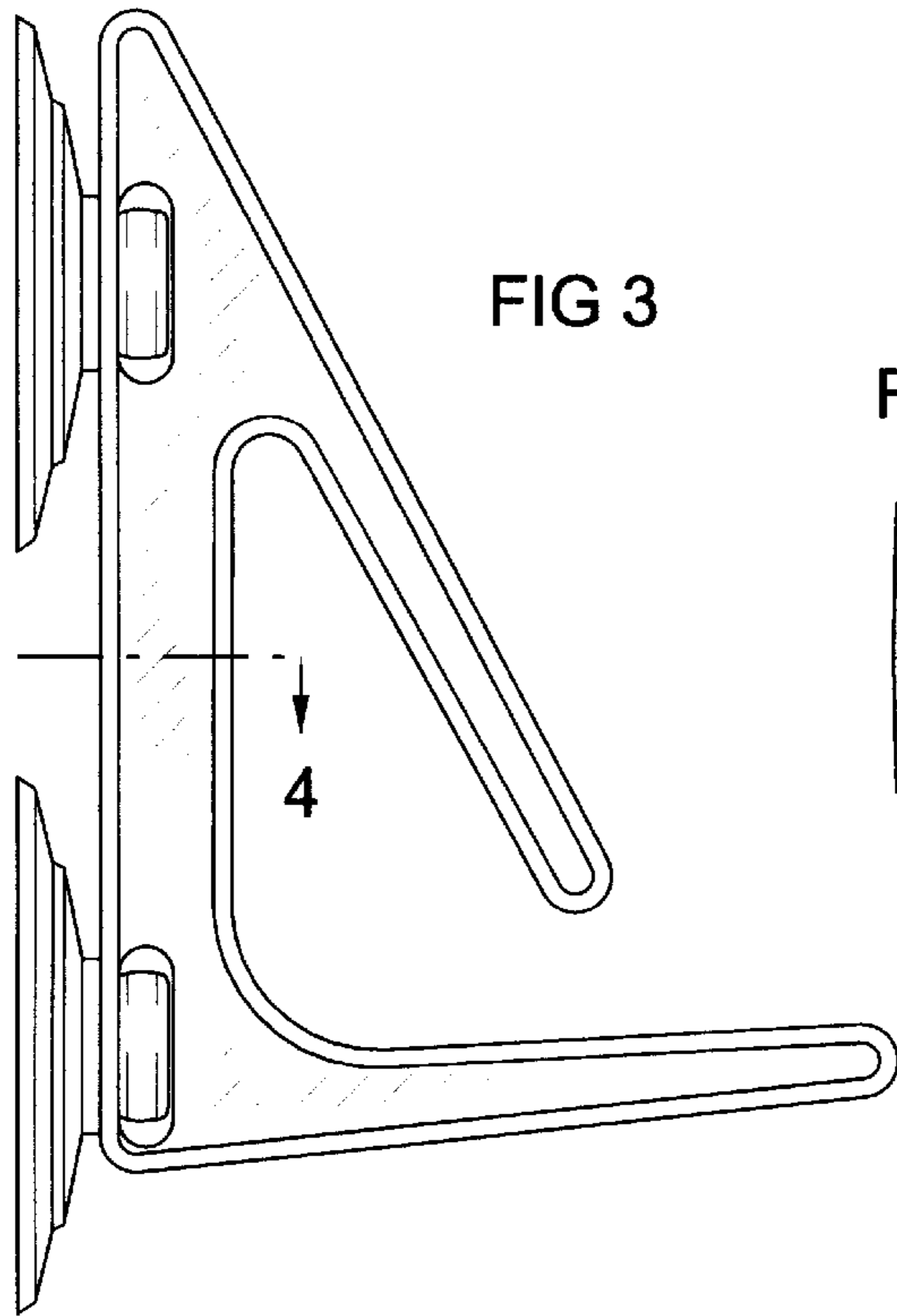


FIG 4

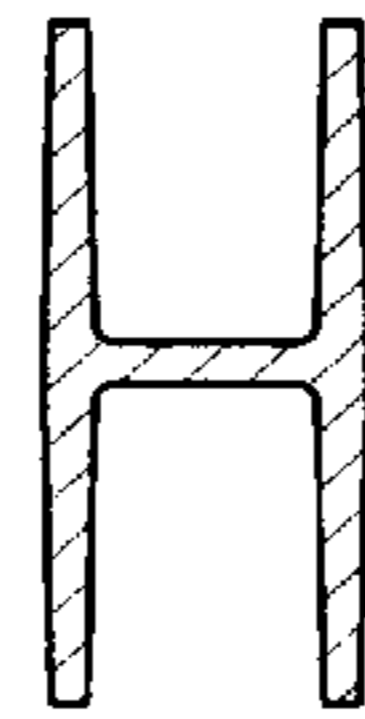


FIG 5

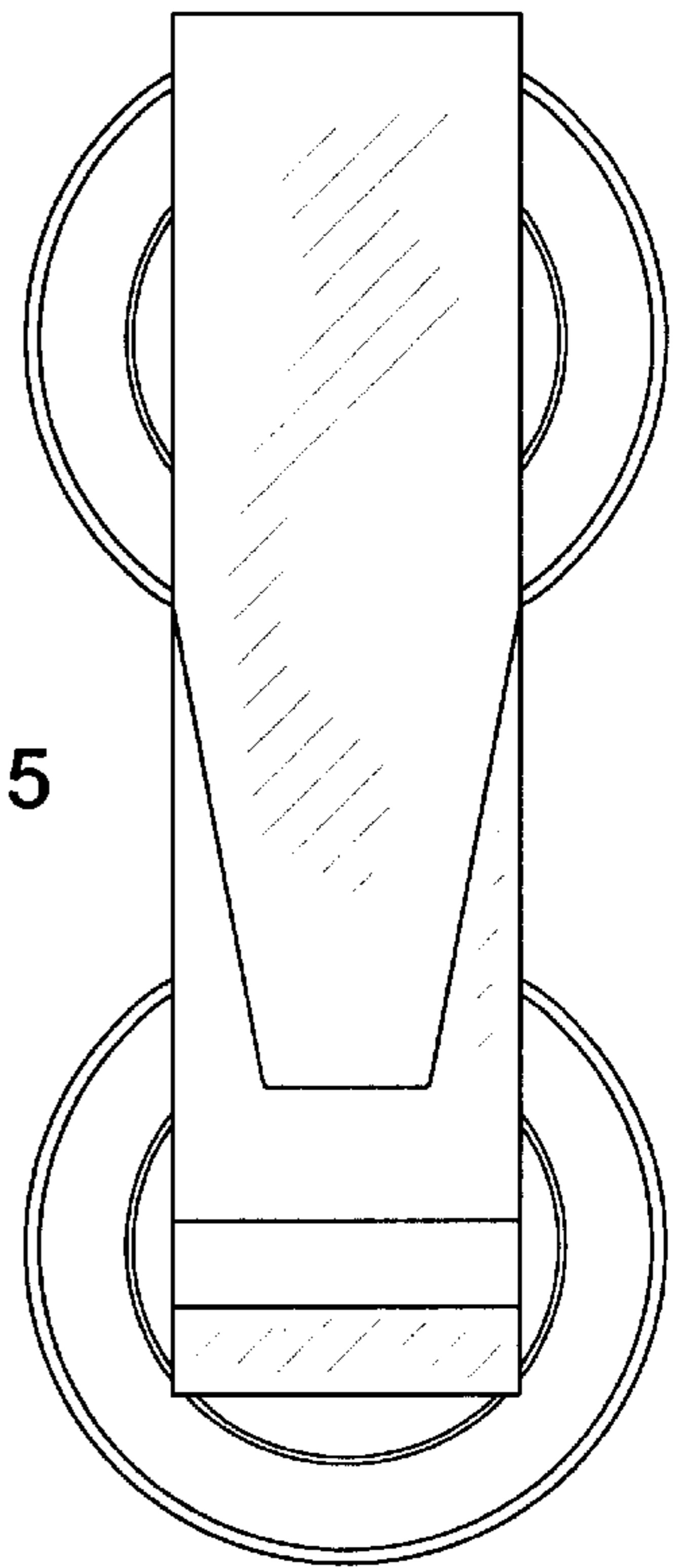


FIG 6

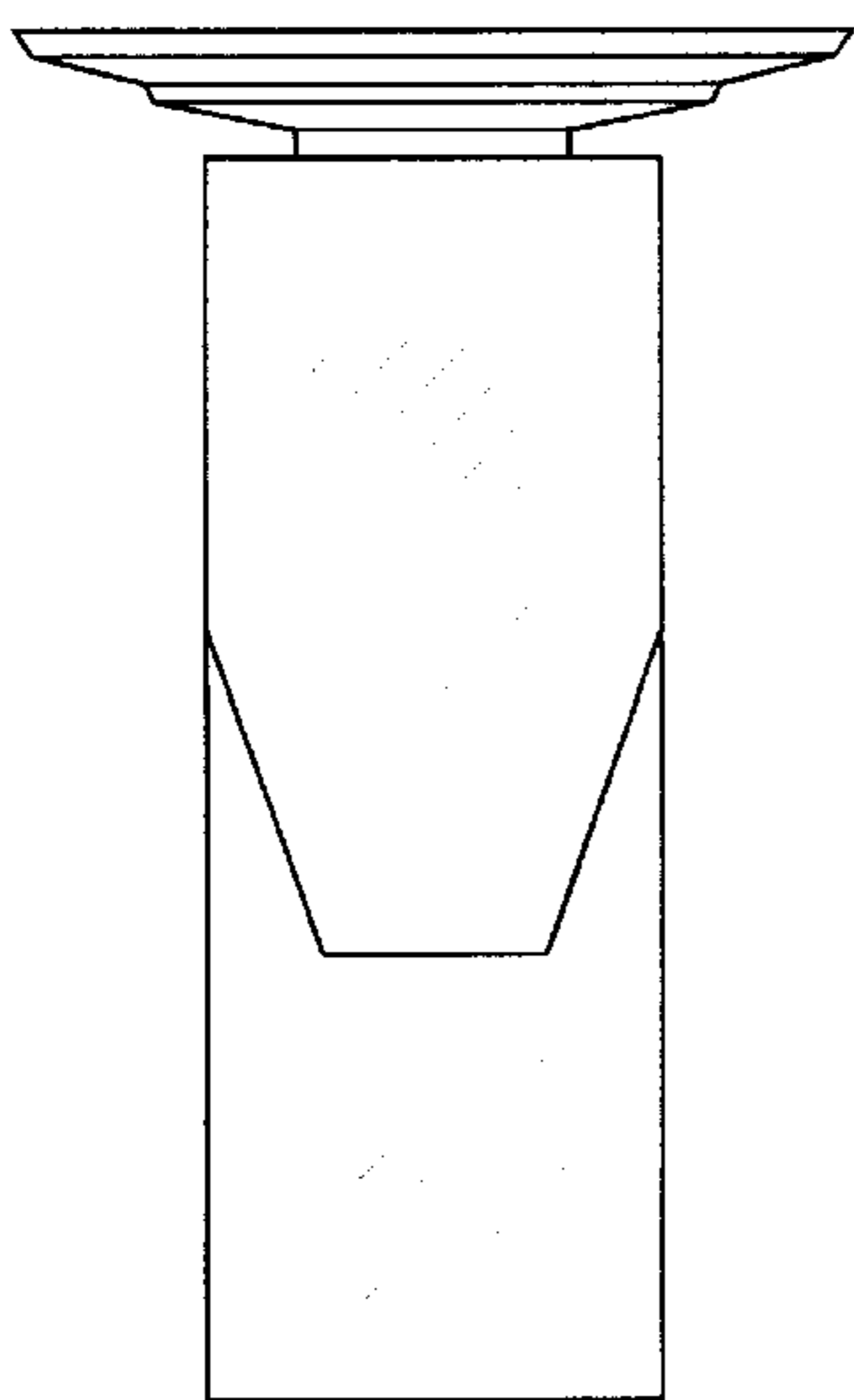


FIG 7

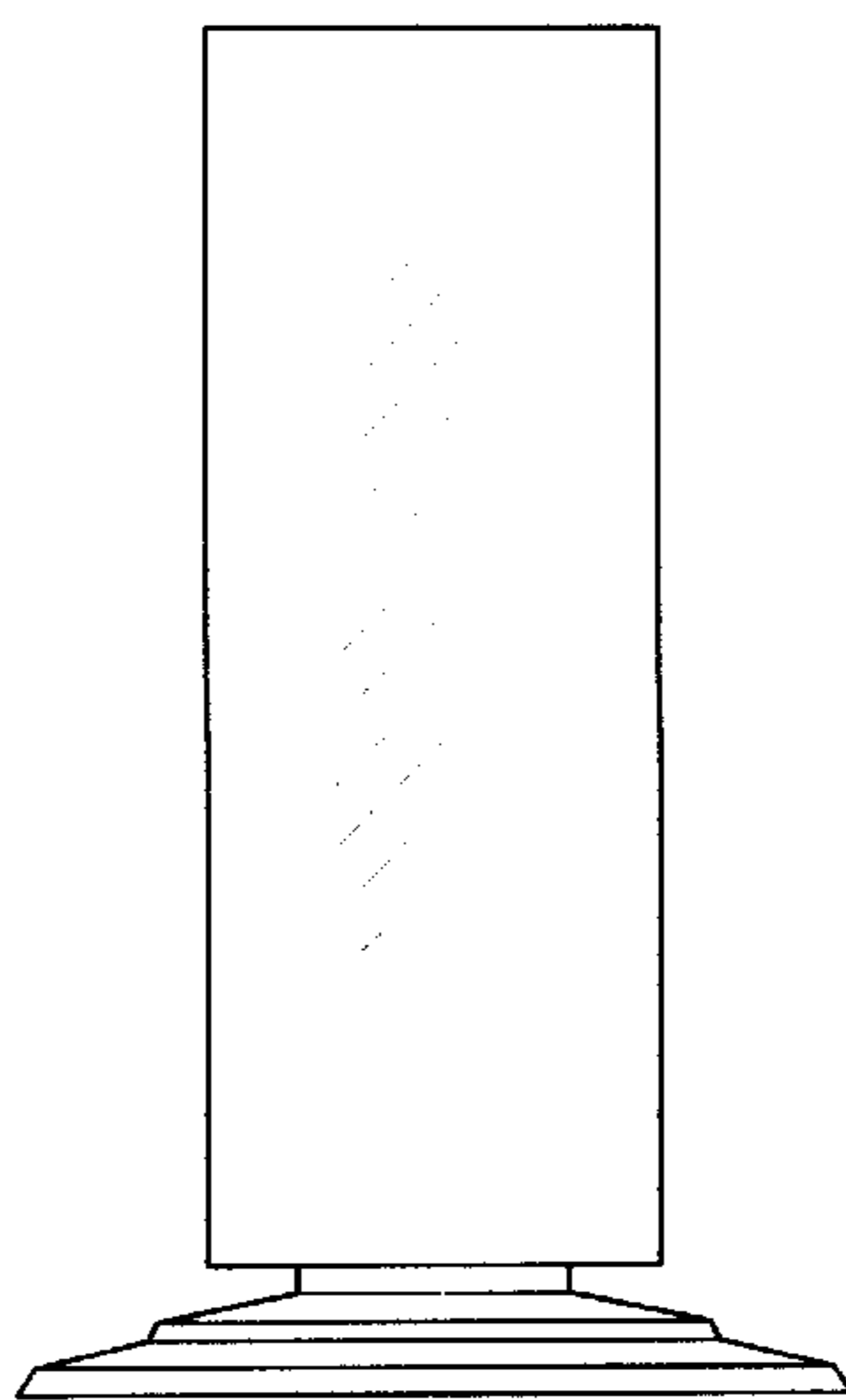


FIG 8

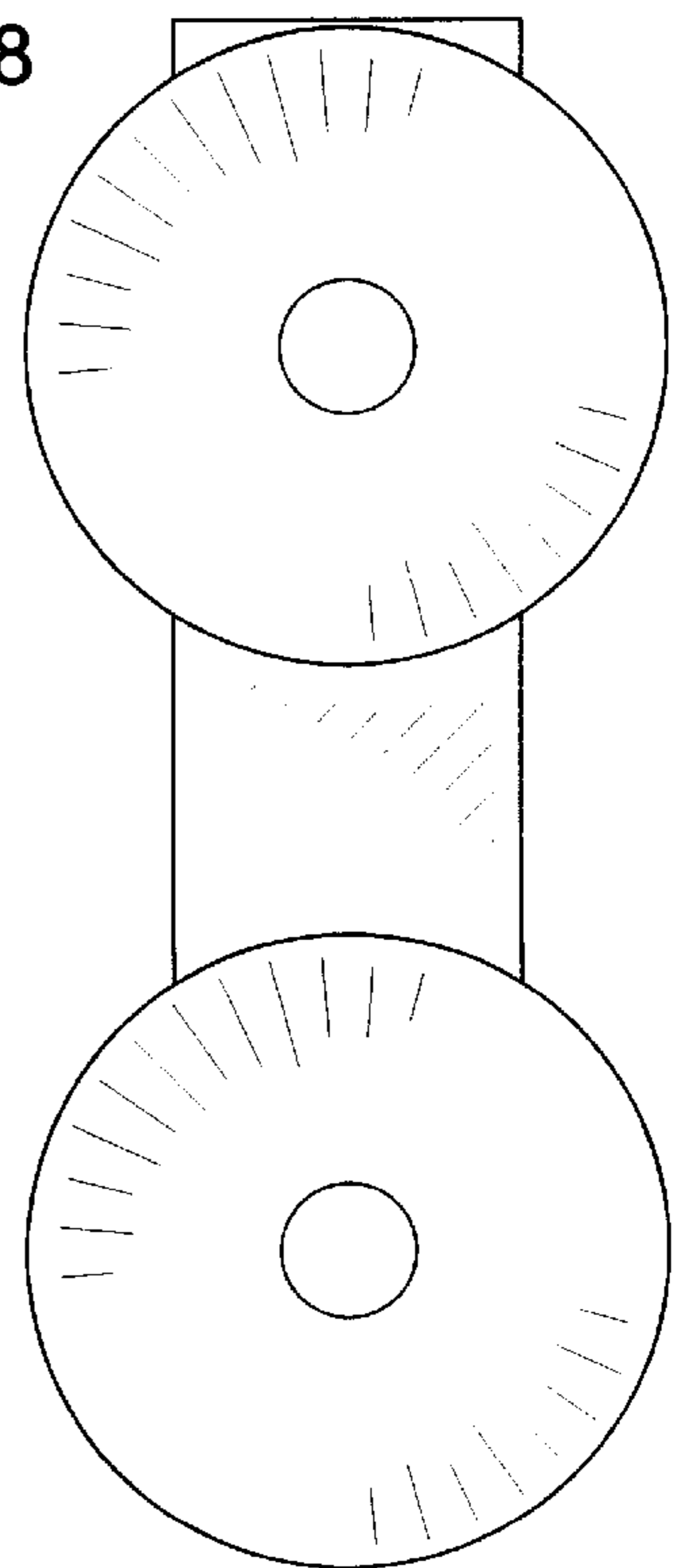


FIG 9

