



US00D421382S

United States Patent [19]
Abdi

[11] **Patent Number: Des. 421,382**
[45] **Date of Patent: ** Mar. 7, 2000**

[54] **ORGANIZER**

[76] Inventor: **Abraham Abdi**, 2738 N. Talbot,
Orange, Calif. 92867

[**] Term: **14 Years**

[21] Appl. No.: **29/101,588**

[22] Filed: **Mar. 8, 1999**

[51] **LOC (6) Cl.** **08-05**

[52] **U.S. Cl.** **D8/372**

[58] **Field of Search** D6/566, 567; D8/370,
D8/372, 373; 248/303, 304; 211/30, 31,
34, 35, 86-87, 123, 181.1

[56] **References Cited**

U.S. PATENT DOCUMENTS

D. 324,314	3/1992	Licari et al.	D6/323
D. 324,783	3/1992	Greenhut et al.	D6/323
D. 355,841	2/1995	Goodman et al.	D8/372
D. 357,403	4/1995	Goodman et al.	D8/372

Primary Examiner—Brian N. Vinson
Attorney, Agent, or Firm—G. Donald Weber, Jr.

[57] **CLAIM**

The ornamental design for an organizer, as shown and described.

DESCRIPTION

FIG. 1 is a top, front, and right side perspective view of an organizer showing the first embodiment of my new design;

FIG. 2 is a front elevational view thereof;

FIG. 3 is a rear elevational view thereof;

FIG. 4 is a right side elevational view thereof, the left side being a mirror image of that shown;

FIG. 5 is a top plan view thereof;

FIG. 6 is a bottom plan view thereof;

FIG. 7 is a top, front, and right side perspective view of an organizer showing the second embodiment of my new design, with the side elevational views being identical to that shown in the first embodiment;

FIG. 8 is a front elevational view thereof;

FIG. 9 is a rear elevational view thereof;

FIG. 10 is a top plan view thereof;

FIG. 11 is a bottom plan view thereof;

FIG. 12 is a top, front, and right side perspective view of an organizer showing the third embodiment of my new design, with the side elevational views being identical to that shown in the first embodiment;

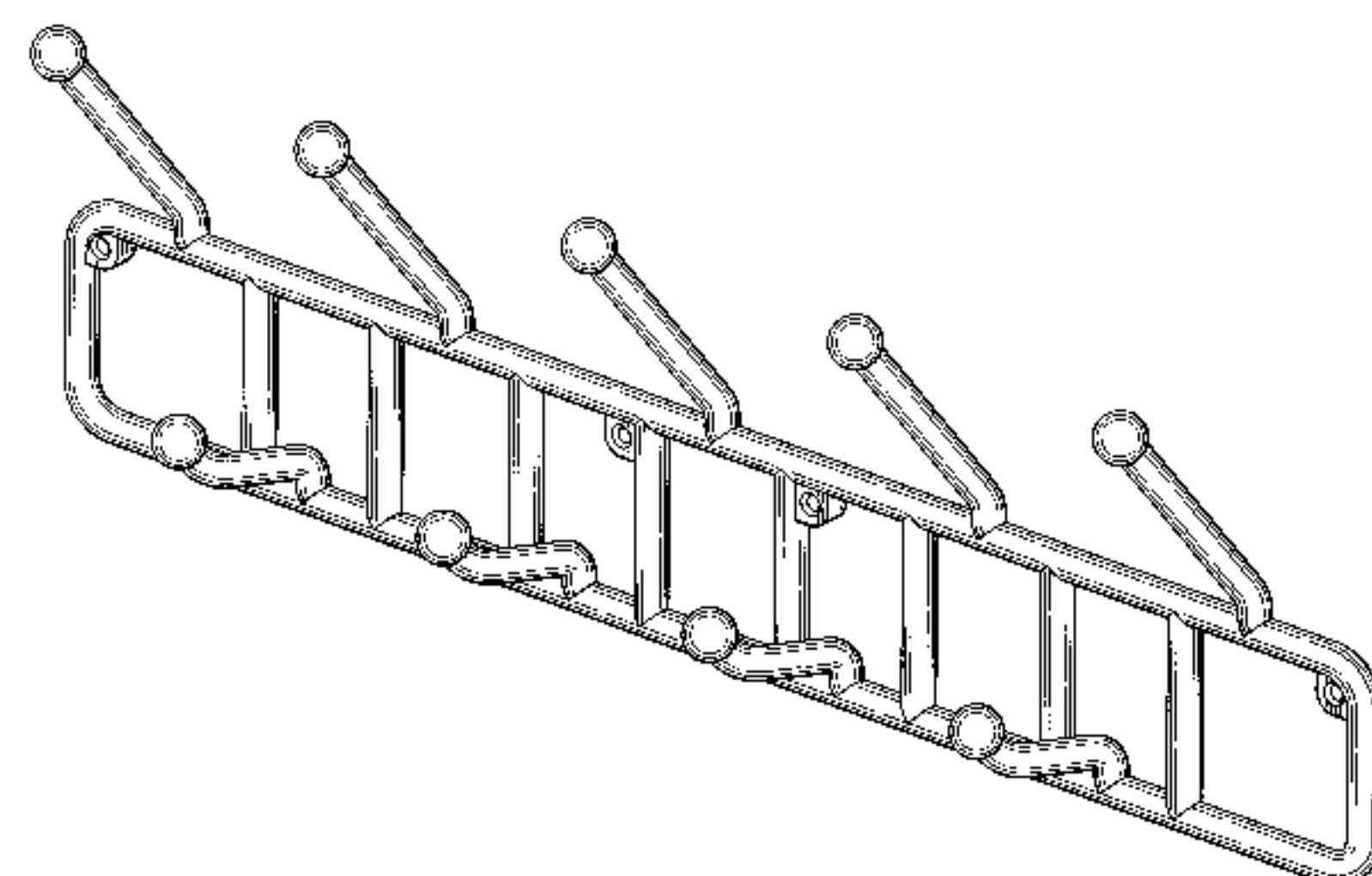
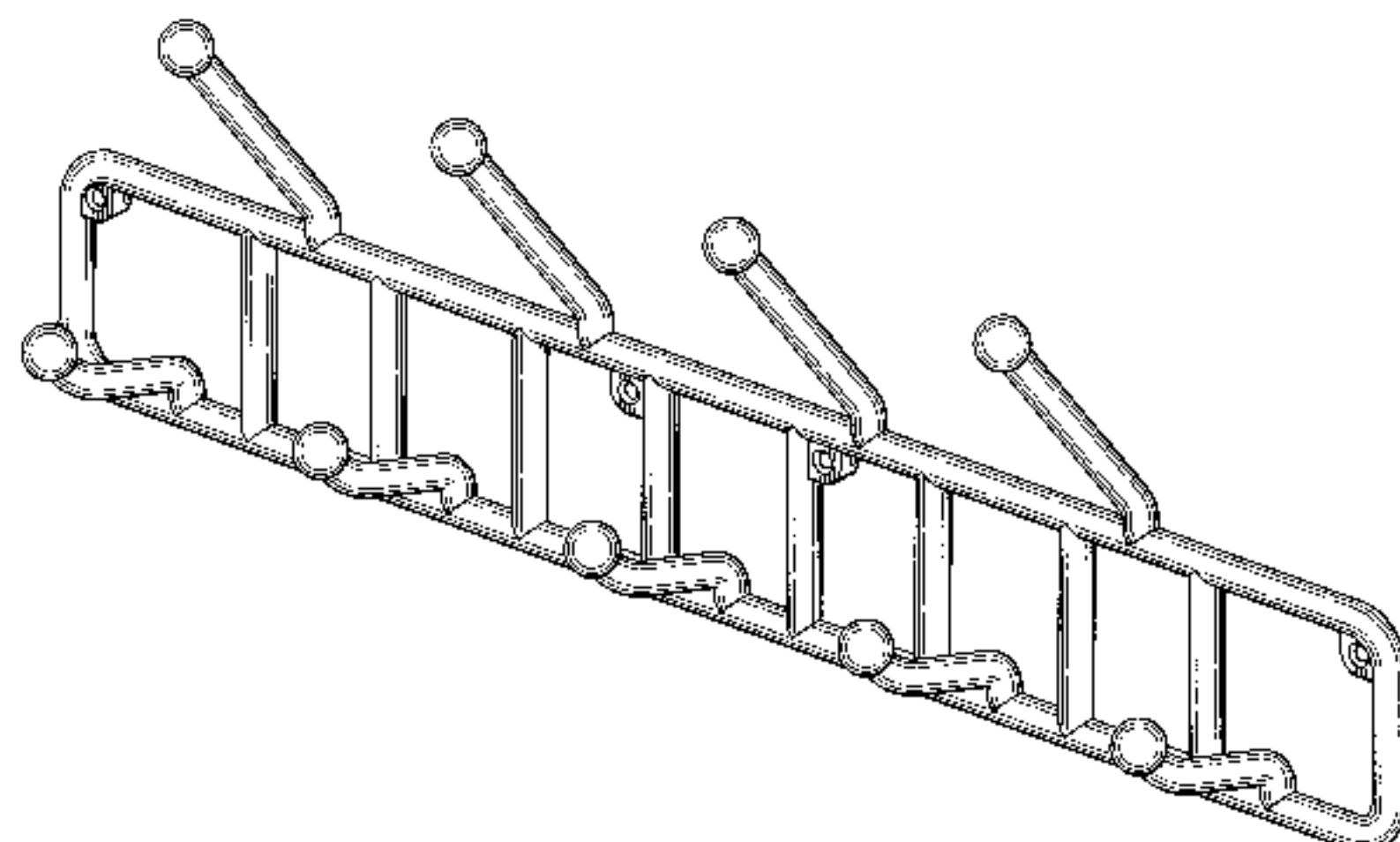
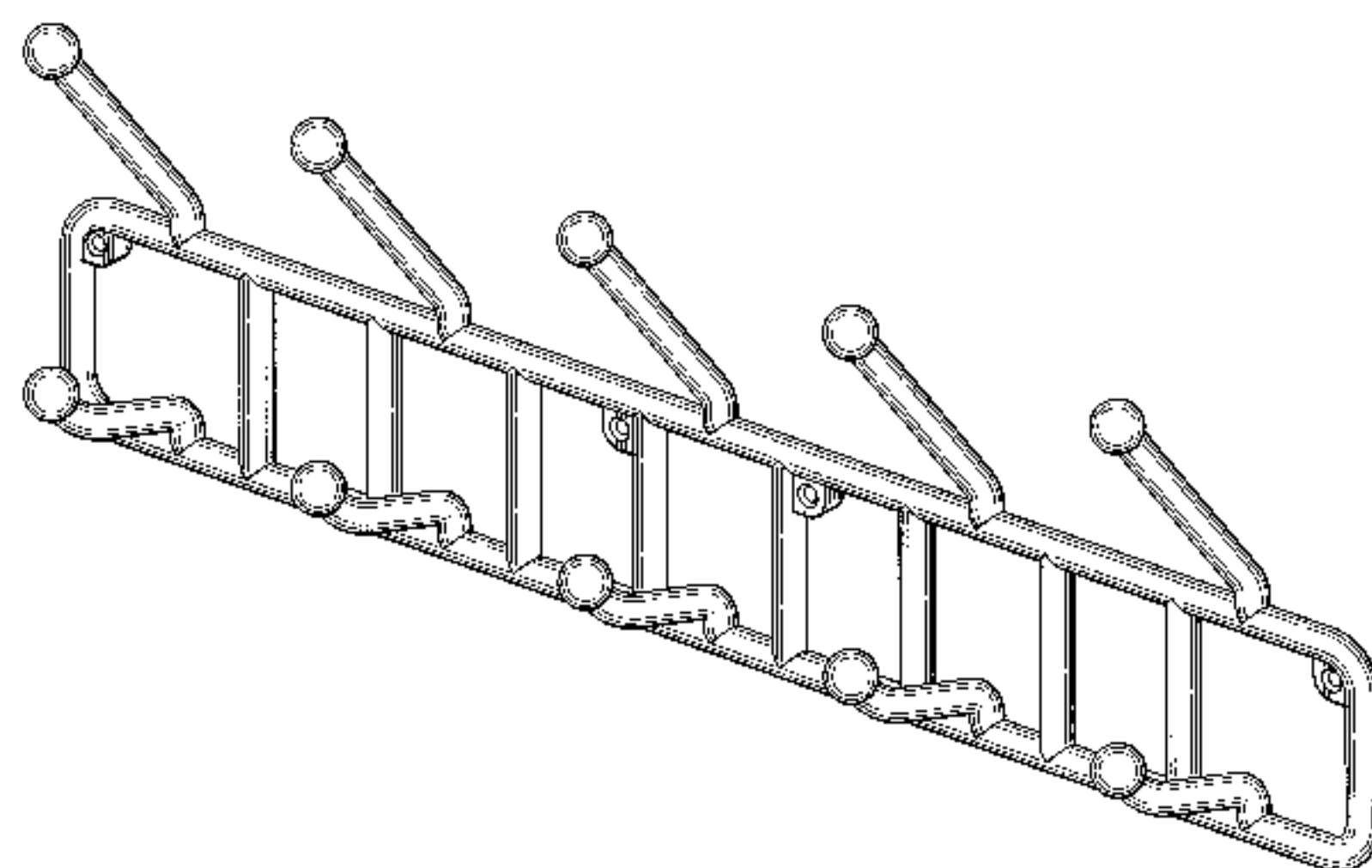
FIG. 13 is a front elevational view thereof;

FIG. 14 is a rear elevational view thereof;

FIG. 15 is a top plan view thereof; and,

FIG. 16 is a bottom plan view thereof.

1 Claim, 10 Drawing Sheets



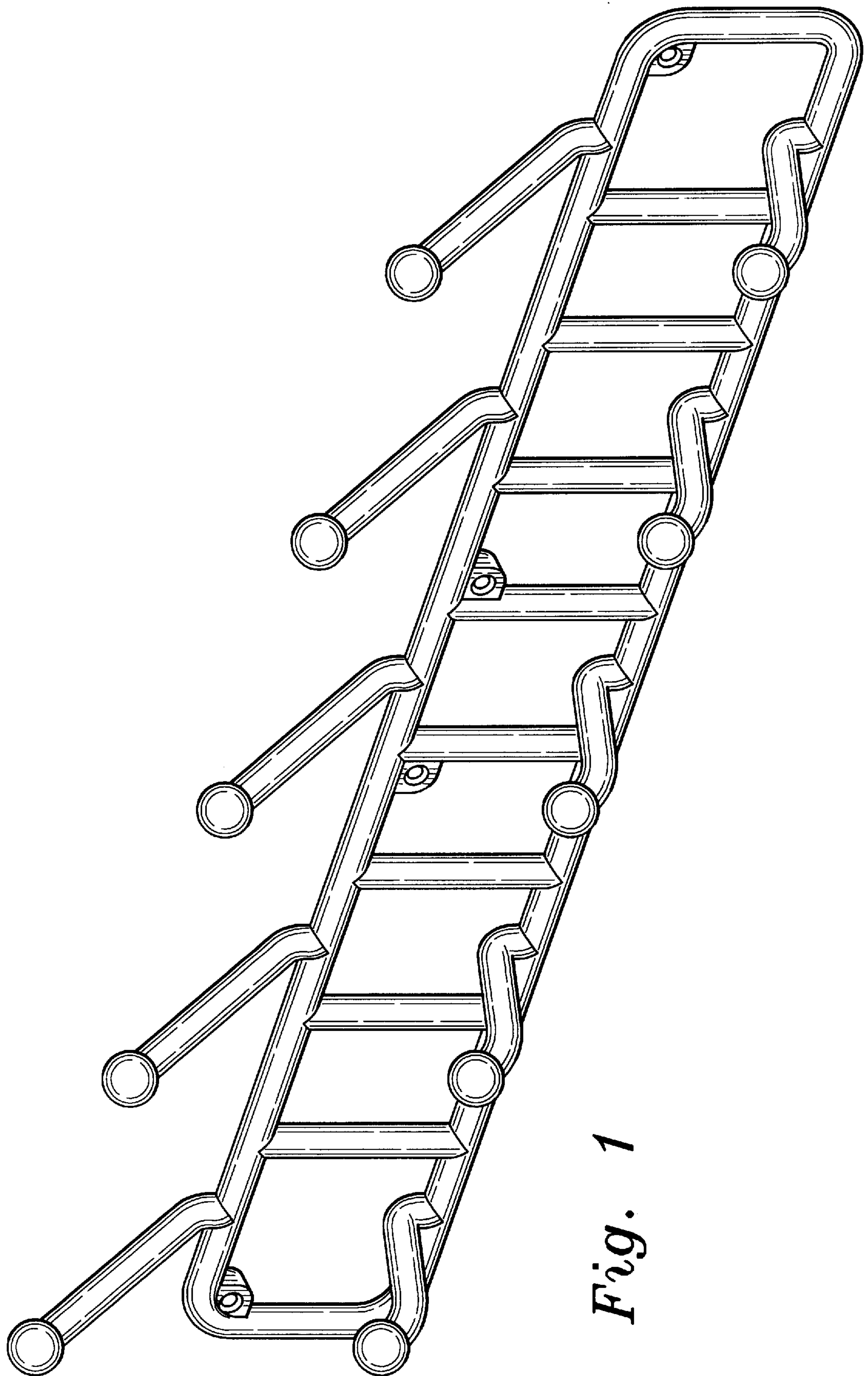


Fig. 1

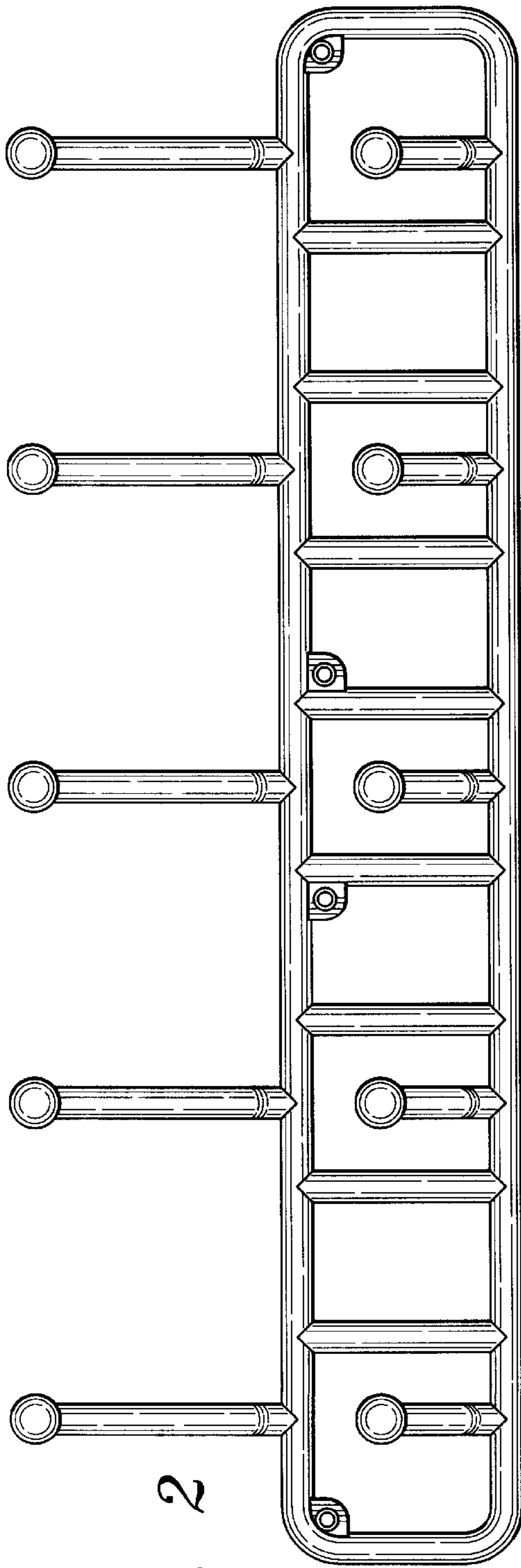


Fig. 2

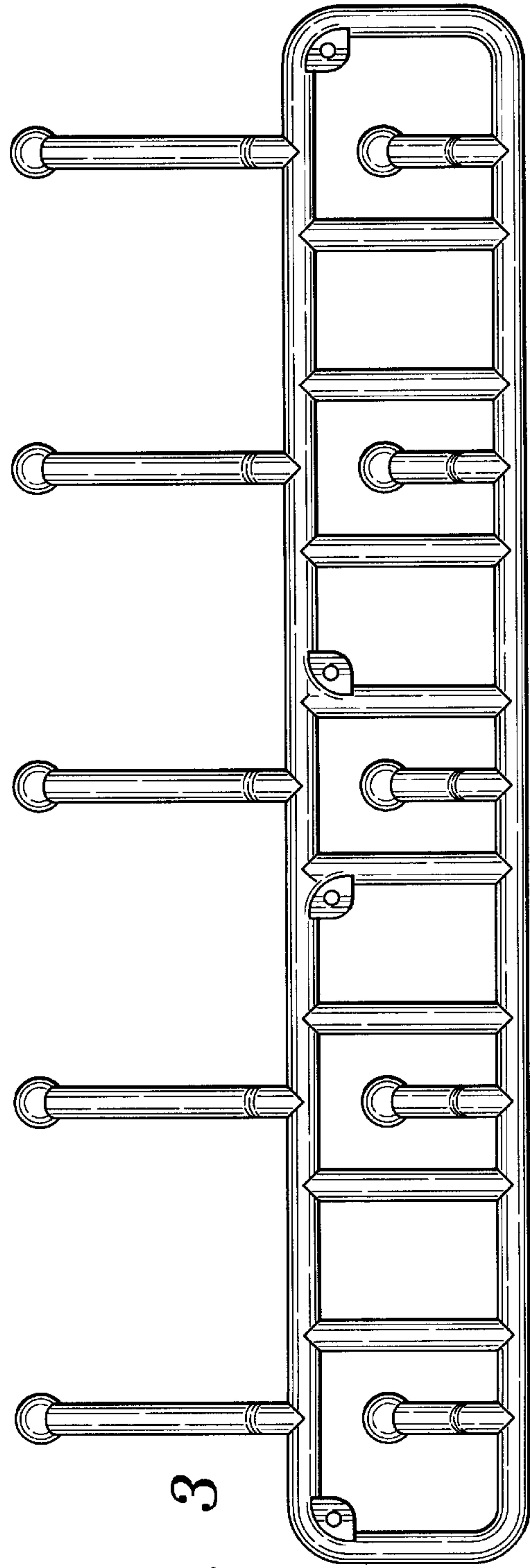


Fig. 3

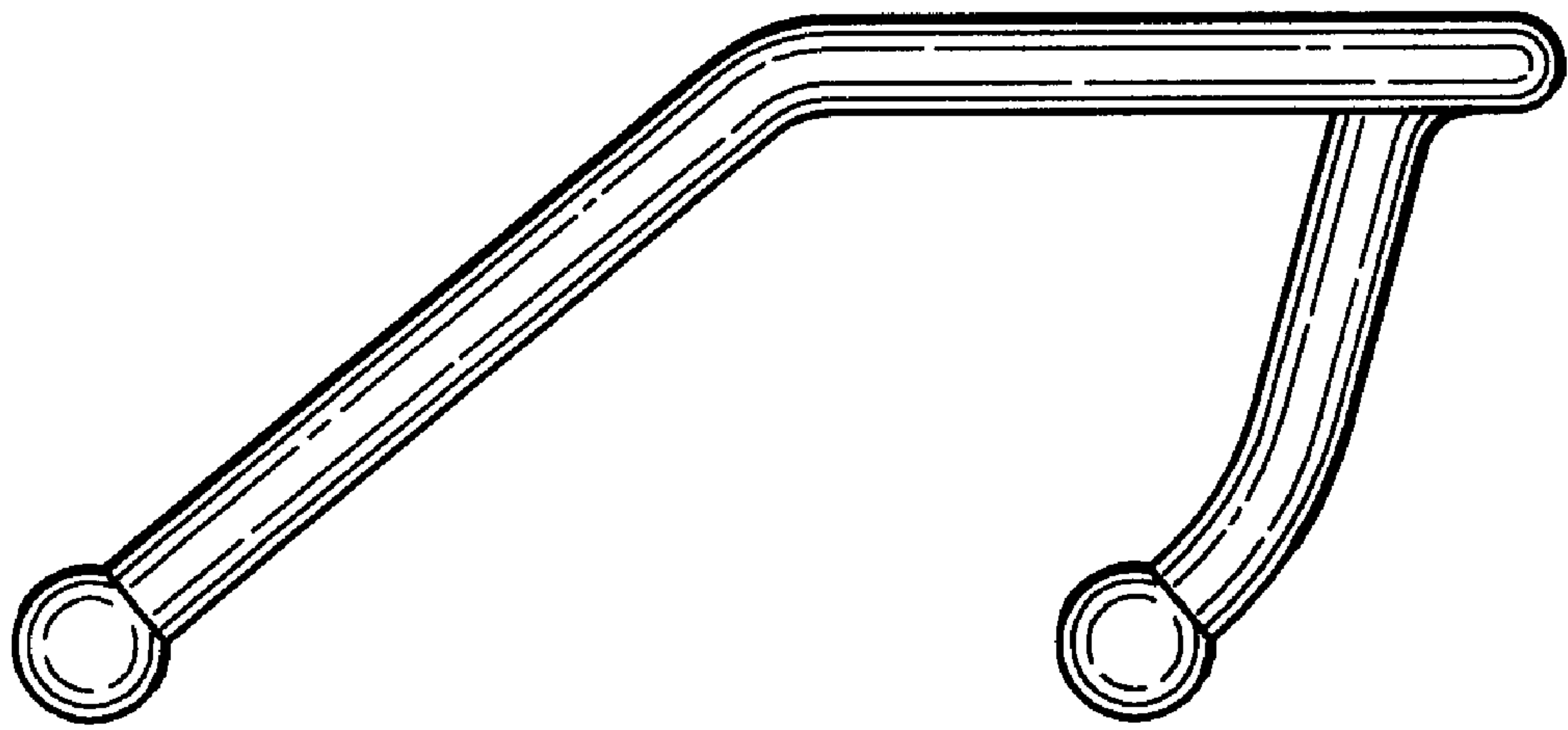


Fig. 4

Fig. 5

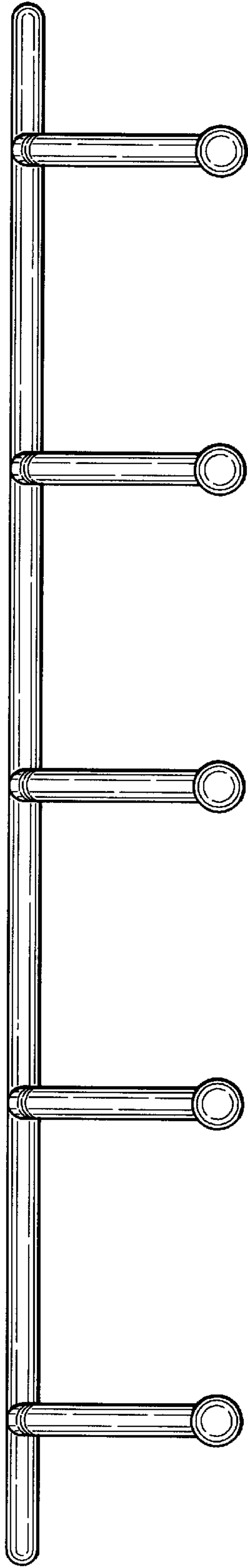
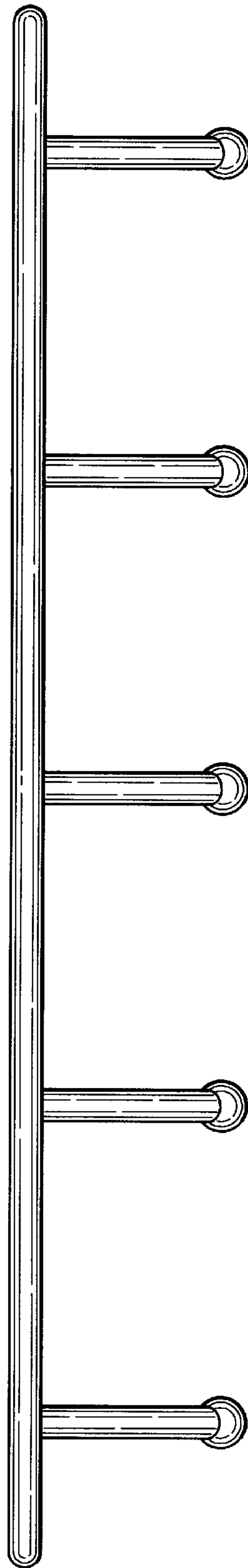


Fig. 6



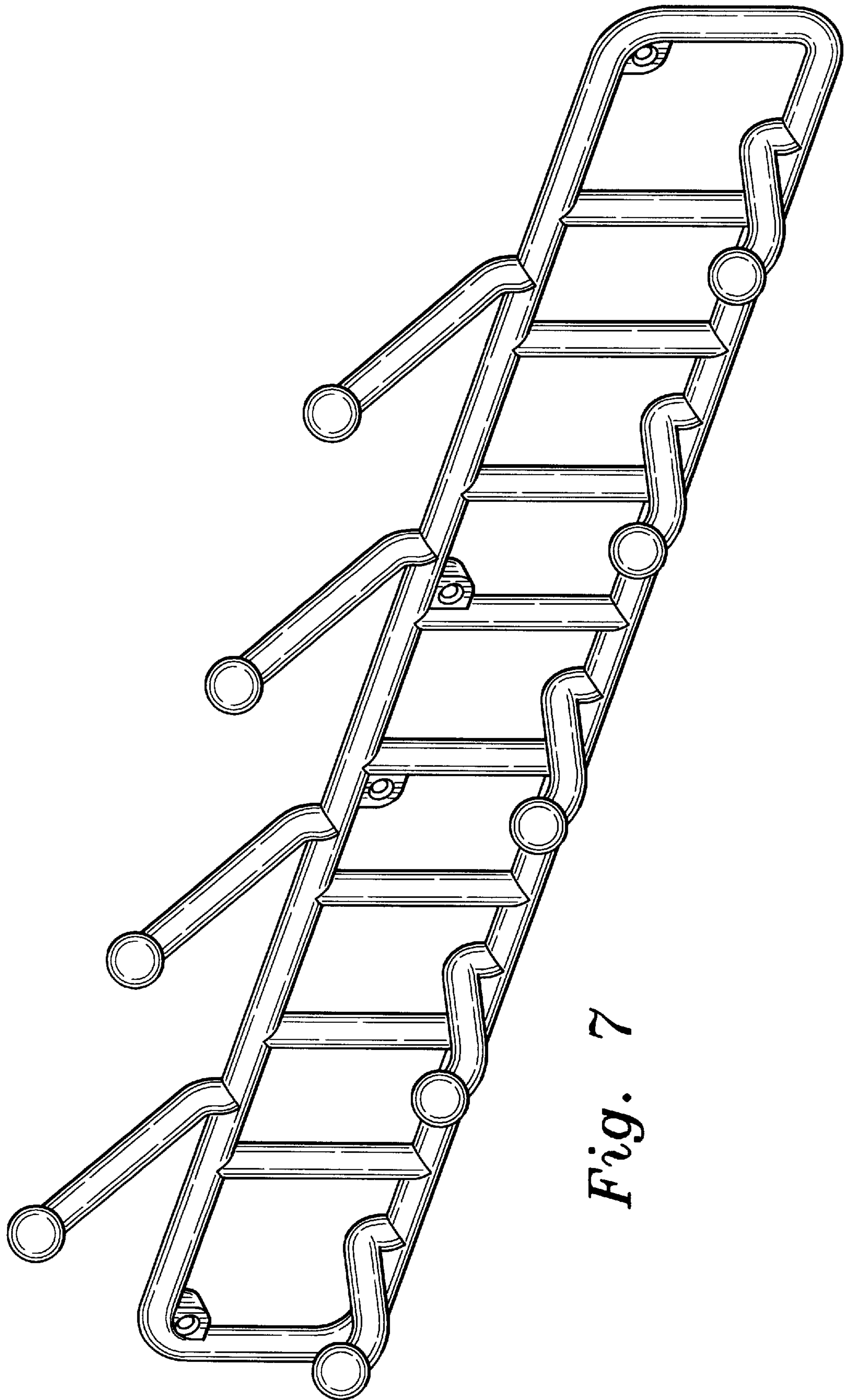


Fig. 7

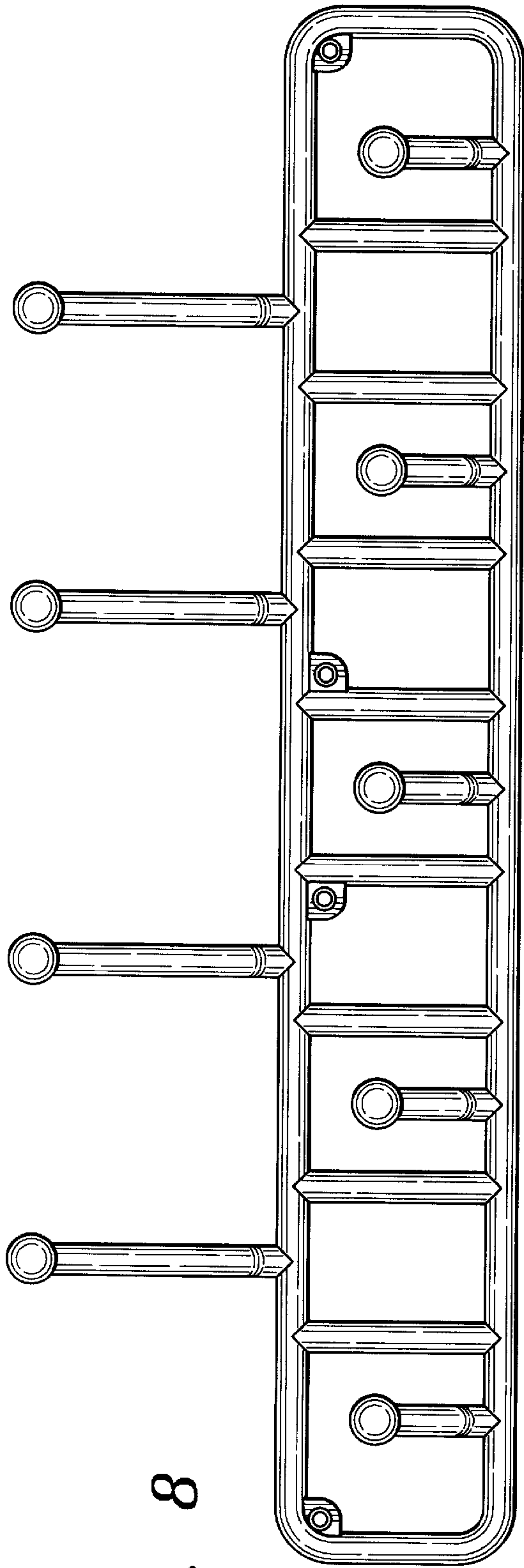


Fig. 8

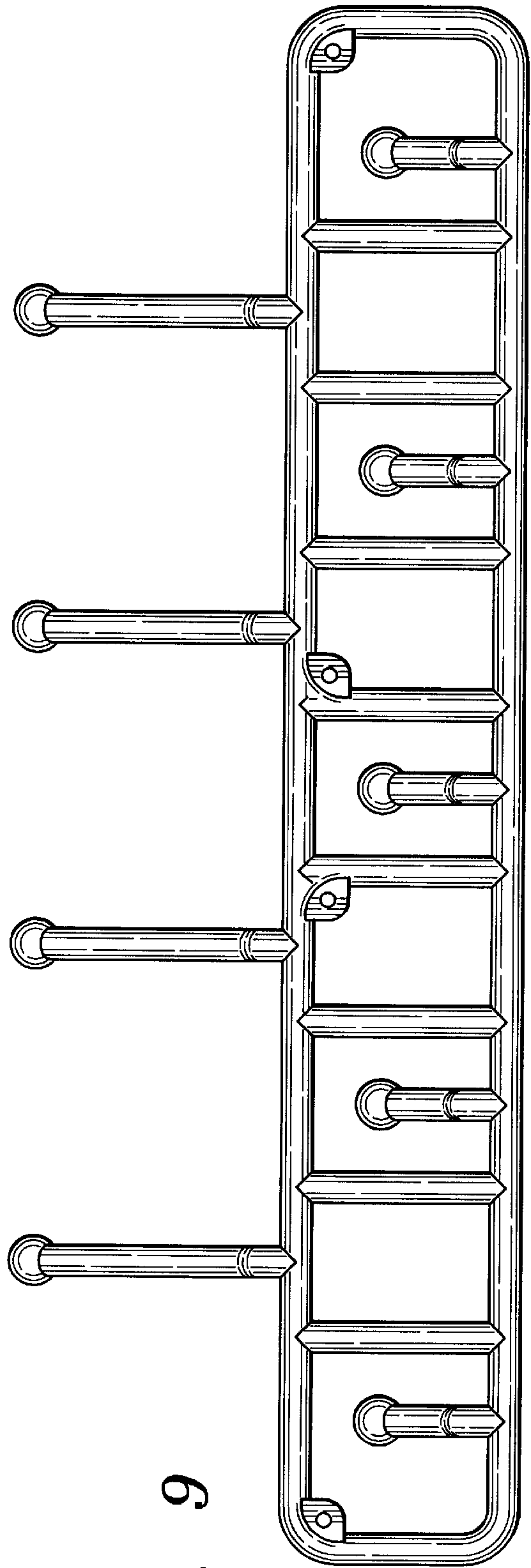


Fig. 9

Fig. 10

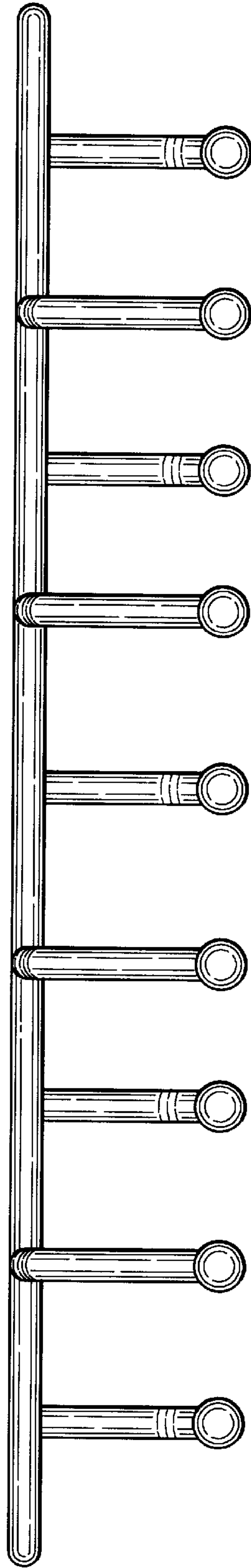
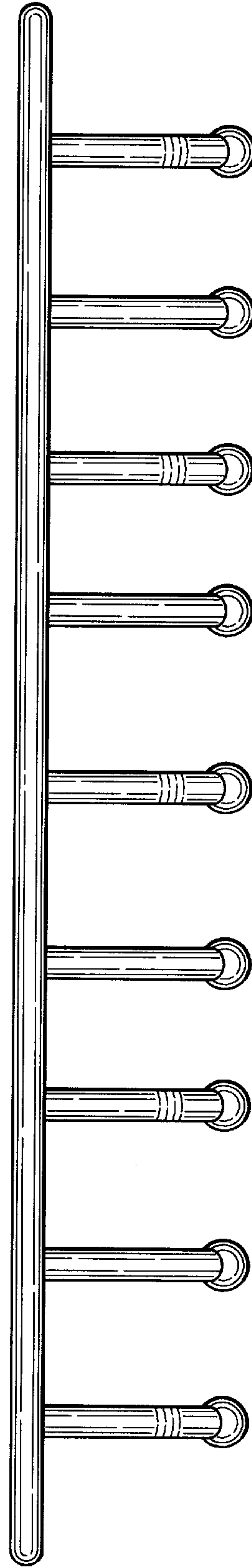


Fig. 11



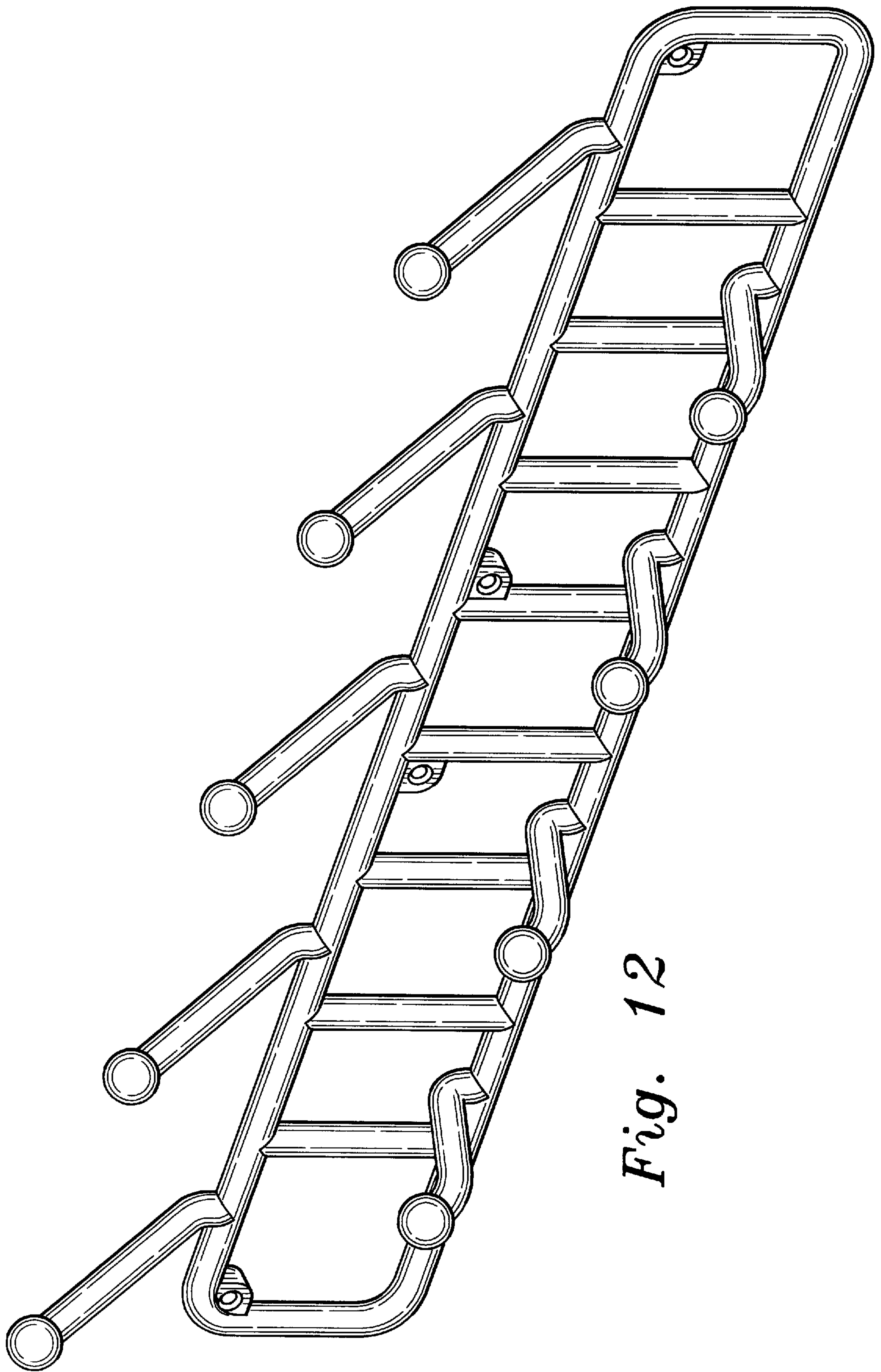


Fig. 12

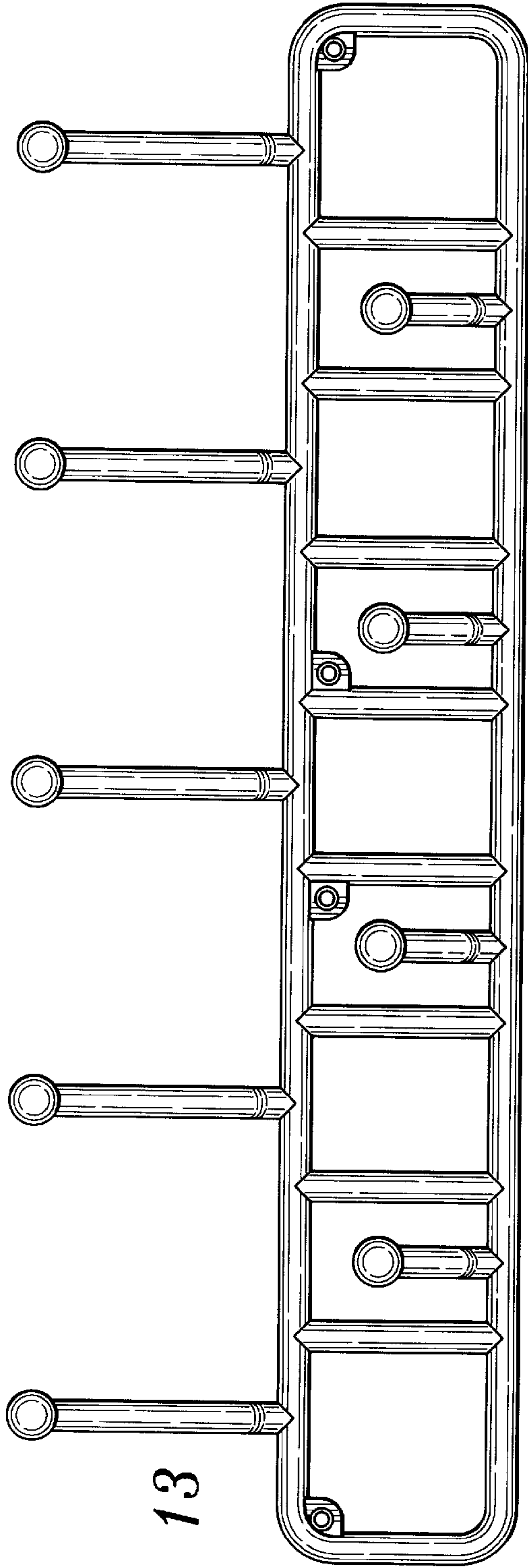


Fig. 13

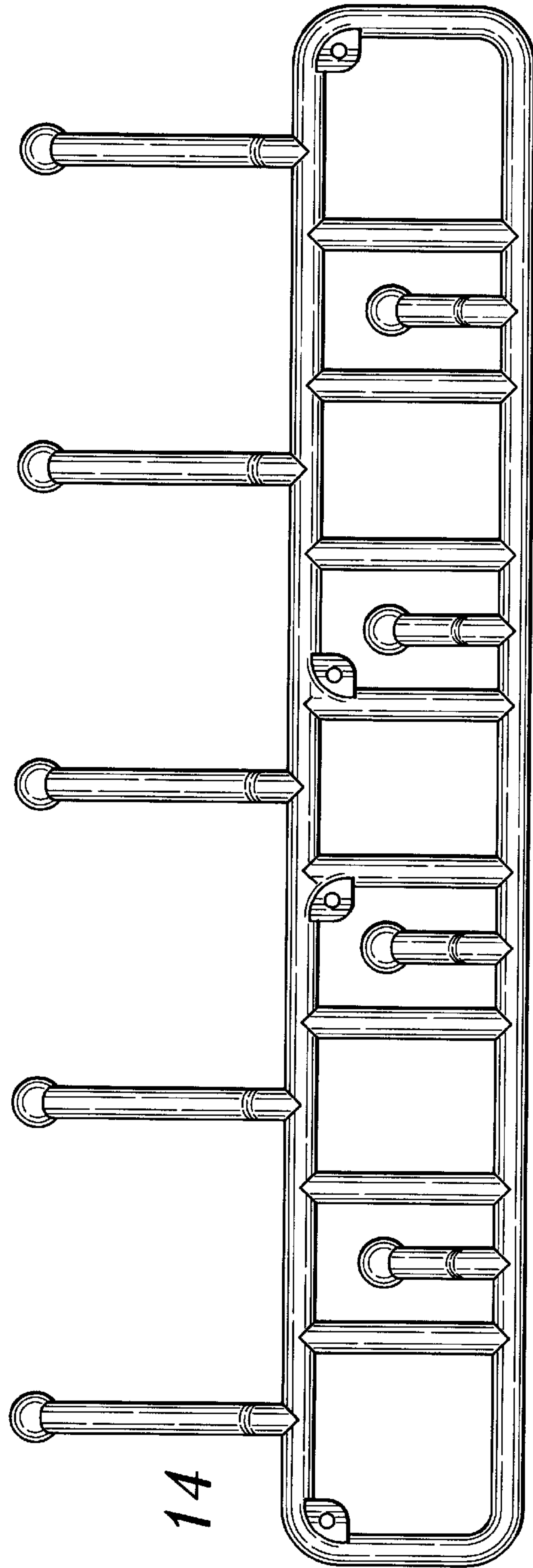


Fig. 14

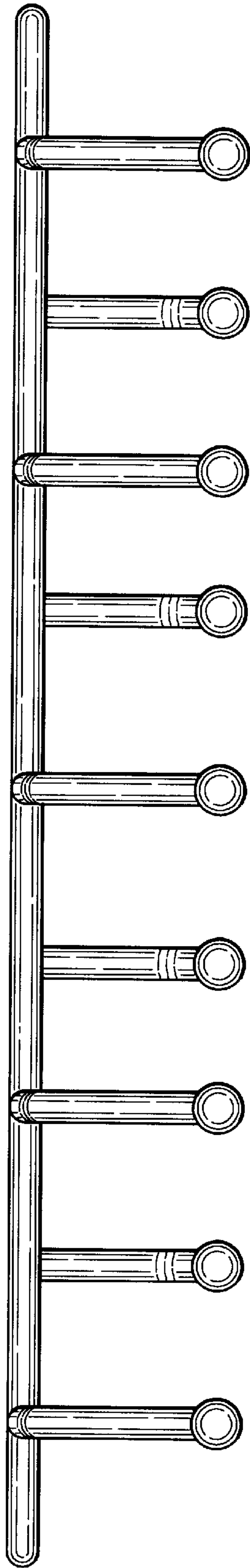


Fig. 15

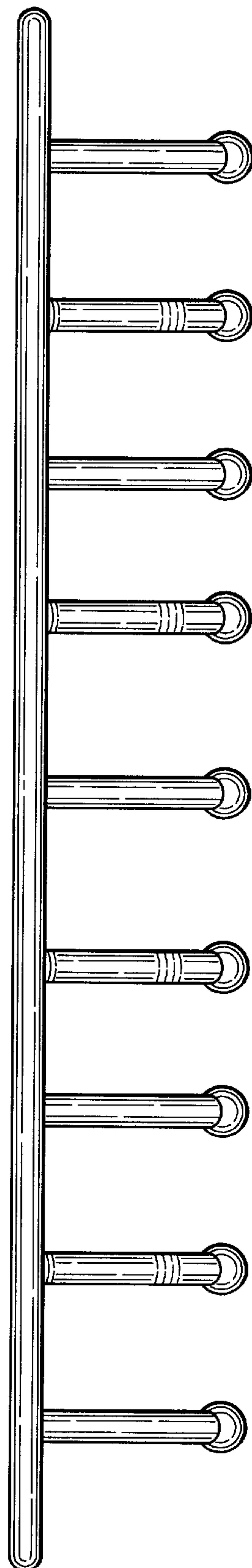


Fig. 16