



US00D421379S

# United States Patent [19] Sanford

[11] **Patent Number: Des. 421,379**

[45] **Date of Patent: \*\* Mar. 7, 2000**

[54] **WRENCH HANDLE EXTENSION**

[76] Inventor: **Robert J. Sanford**, 2407 Jordan La.  
NW., Huntsville, Ala. 35816

[\*\*] Term: **14 Years**

[21] Appl. No.: **29/087,737**

[22] Filed: **May 8, 1998**

[51] **LOC (6) Cl. .... 08-05**

[52] **U.S. Cl. .... D8/107; D8/21**

[58] **Field of Search .... D8/14, 21, 26,  
D8/107, DIG. 7; 15/143.1; 16/110 R, 111 A,  
111 R, 115; 294/1.1**

[56] **References Cited**

**U.S. PATENT DOCUMENTS**

D. 254,704	4/1980	Hammond	.....	D8/51
D. 294,112	2/1988	Metz	.....	D8/14
D. 378,983	4/1997	Nall	.....	D8/107
2,126,311	8/1938	Cowen	.....	43/137
2,482,589	9/1949	Maguire	.....	294/1.1

*Primary Examiner*—Alan P. Douglas  
*Assistant Examiner*—Reid Hecker  
*Attorney, Agent, or Firm*—Russell L. Sandidge; Frank M. Caprio; Lanier Ford Shaver & Payne

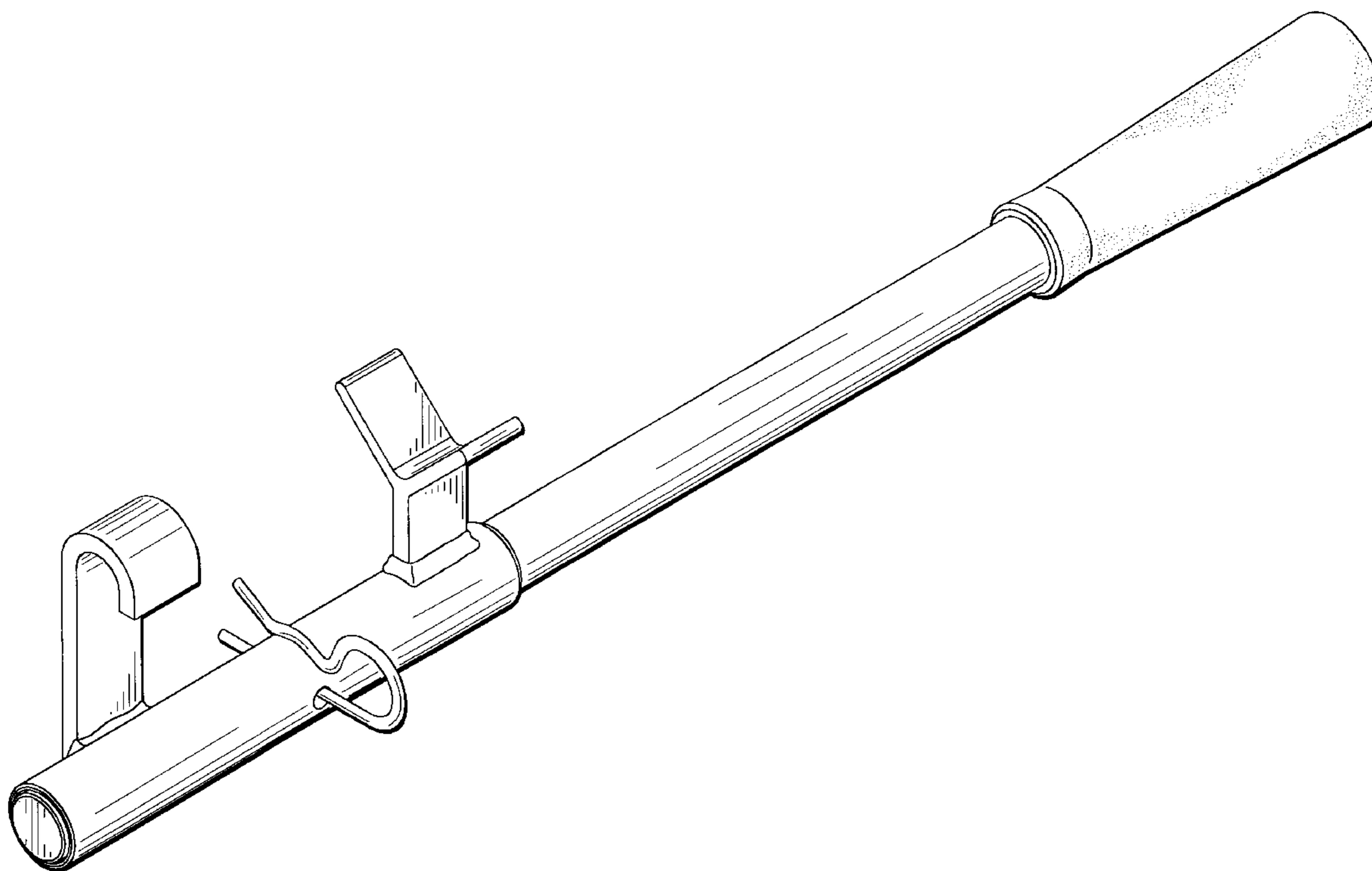
[57] **CLAIM**

The ornamental design for wrench handle extension, as shown and described.

**DESCRIPTION**

FIG. 1 is a perspective view of a wrench handle extension utilizing the novel design;  
FIG. 2 is a front view thereof;  
FIG. 3 is a rear view thereof;  
FIG. 4 is a left side view thereof;  
FIG. 5 is a right side view thereof;  
FIG. 6 is a top view thereof;  
FIG. 7 is a bottom view thereof;  
FIG. 8 is a perspective view showing the end piece in its optional reversed position; and,  
FIG. 9 is an exploded view depicting the handle, locking pin and end piece.

**1 Claim, 5 Drawing Sheets**



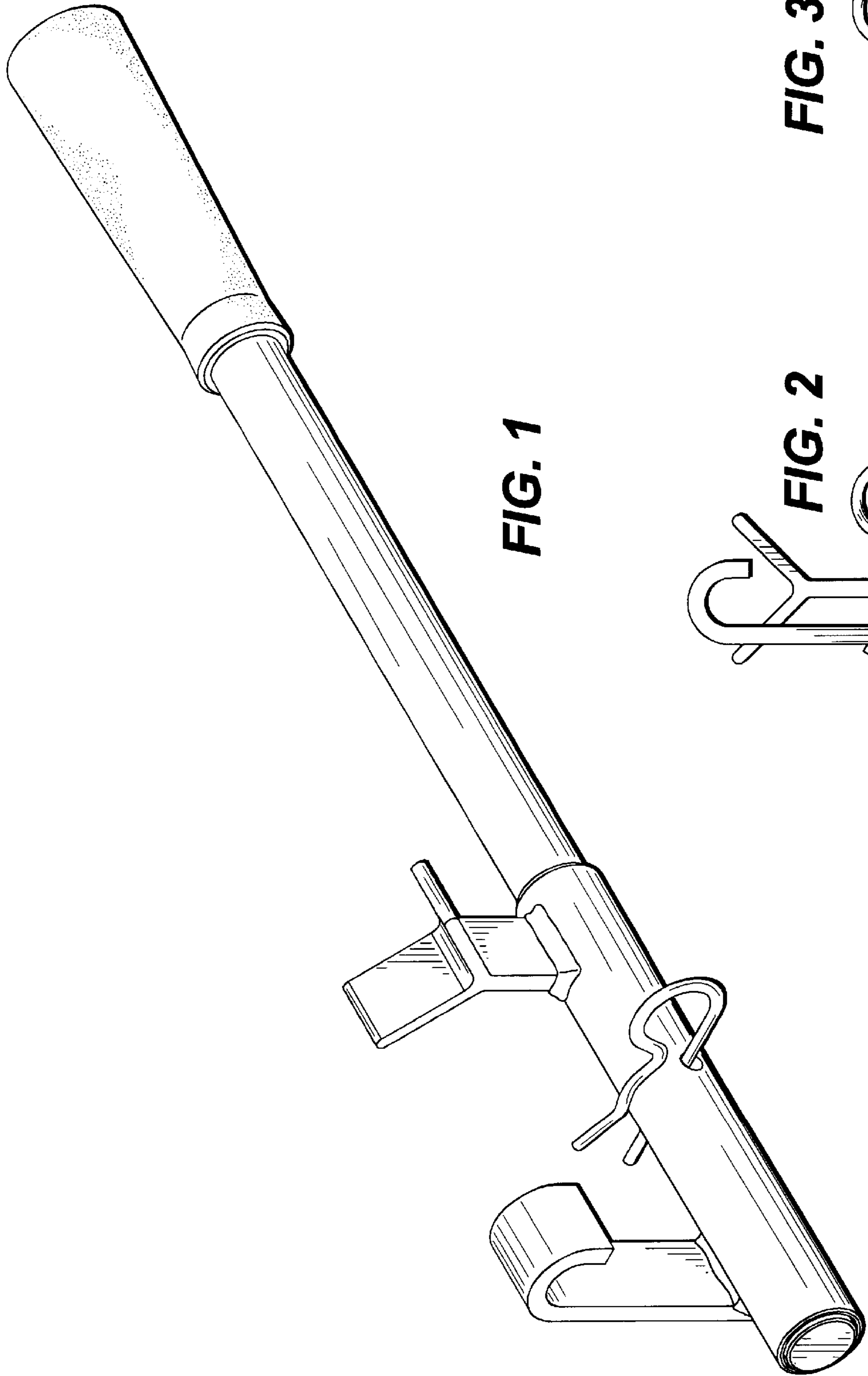


FIG. 1

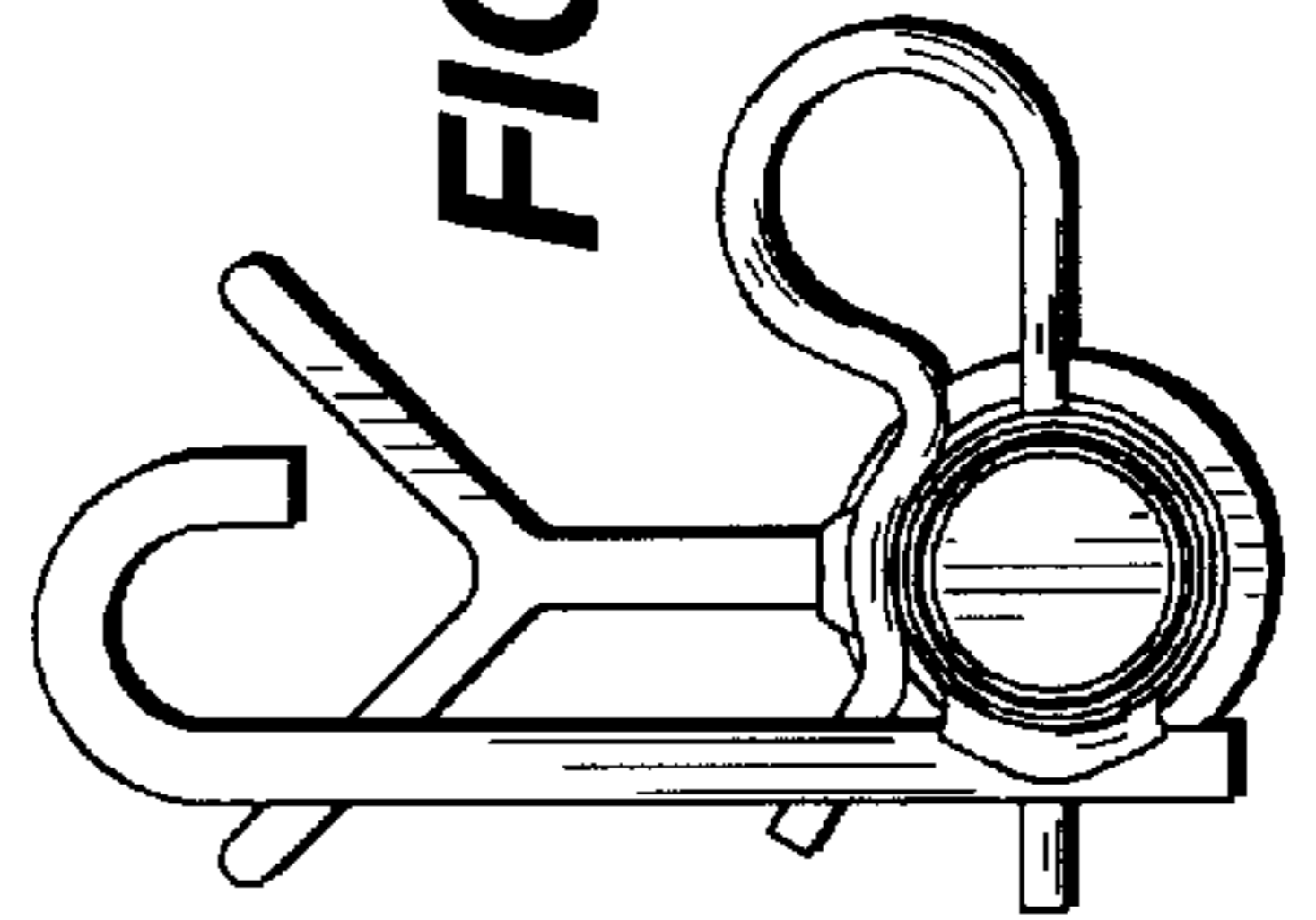


FIG. 2

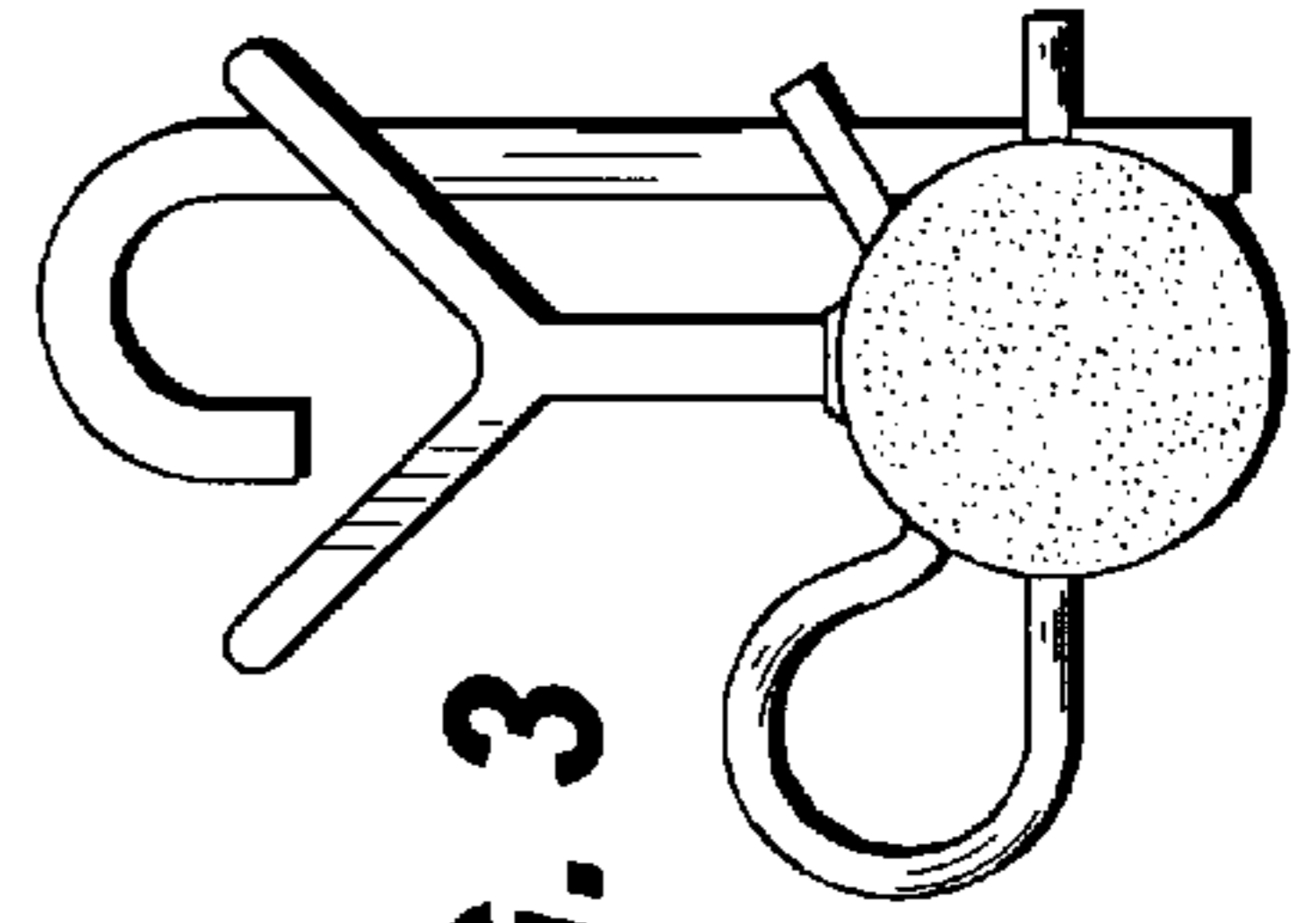
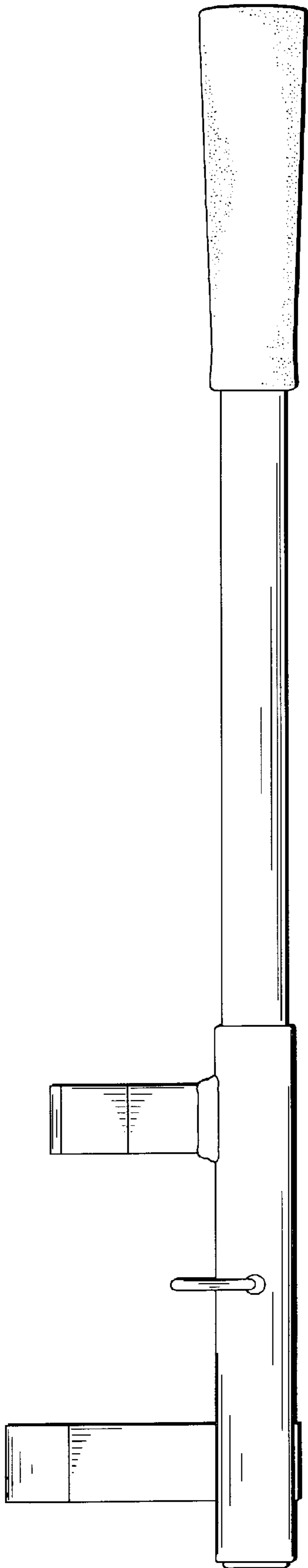
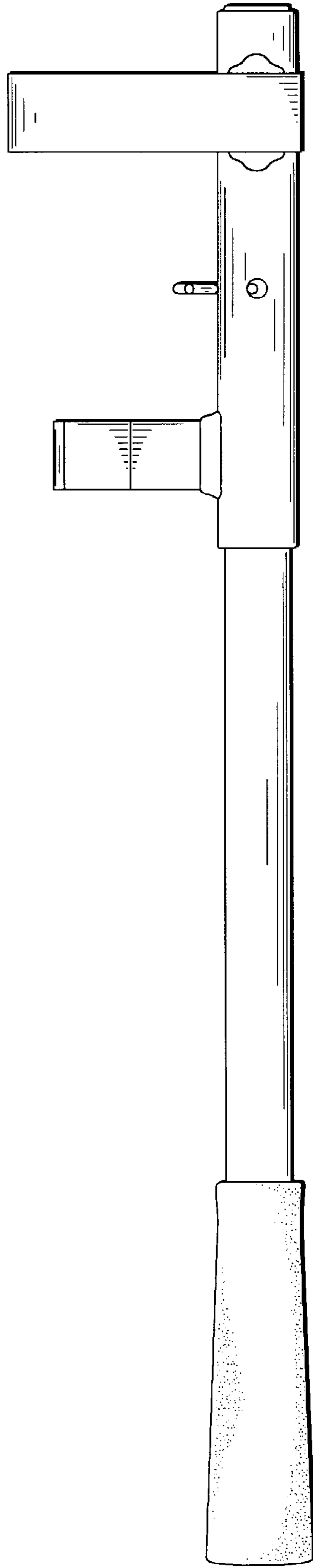


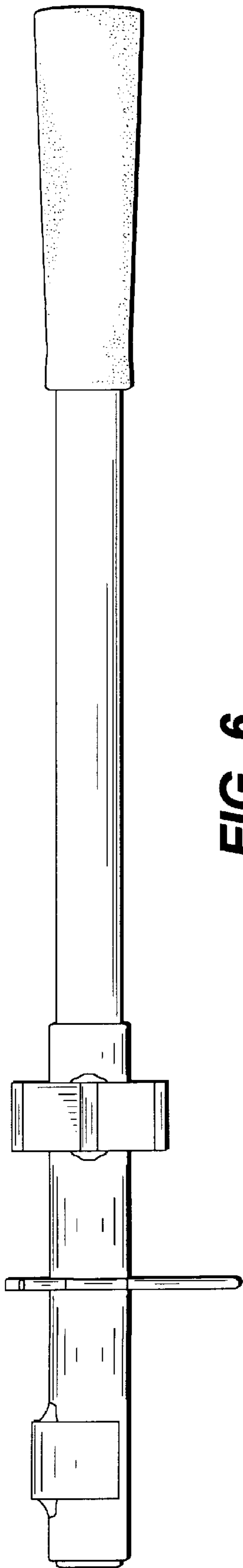
FIG. 3



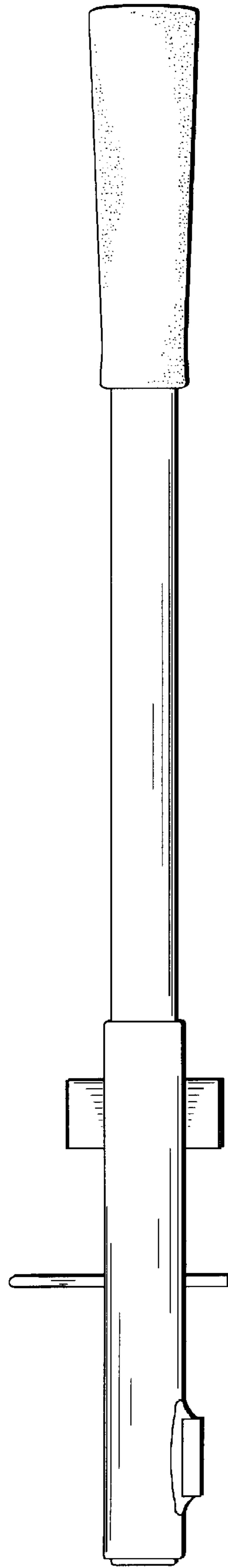
**FIG. 4**



**FIG. 5**



**FIG. 6**



**FIG. 7**

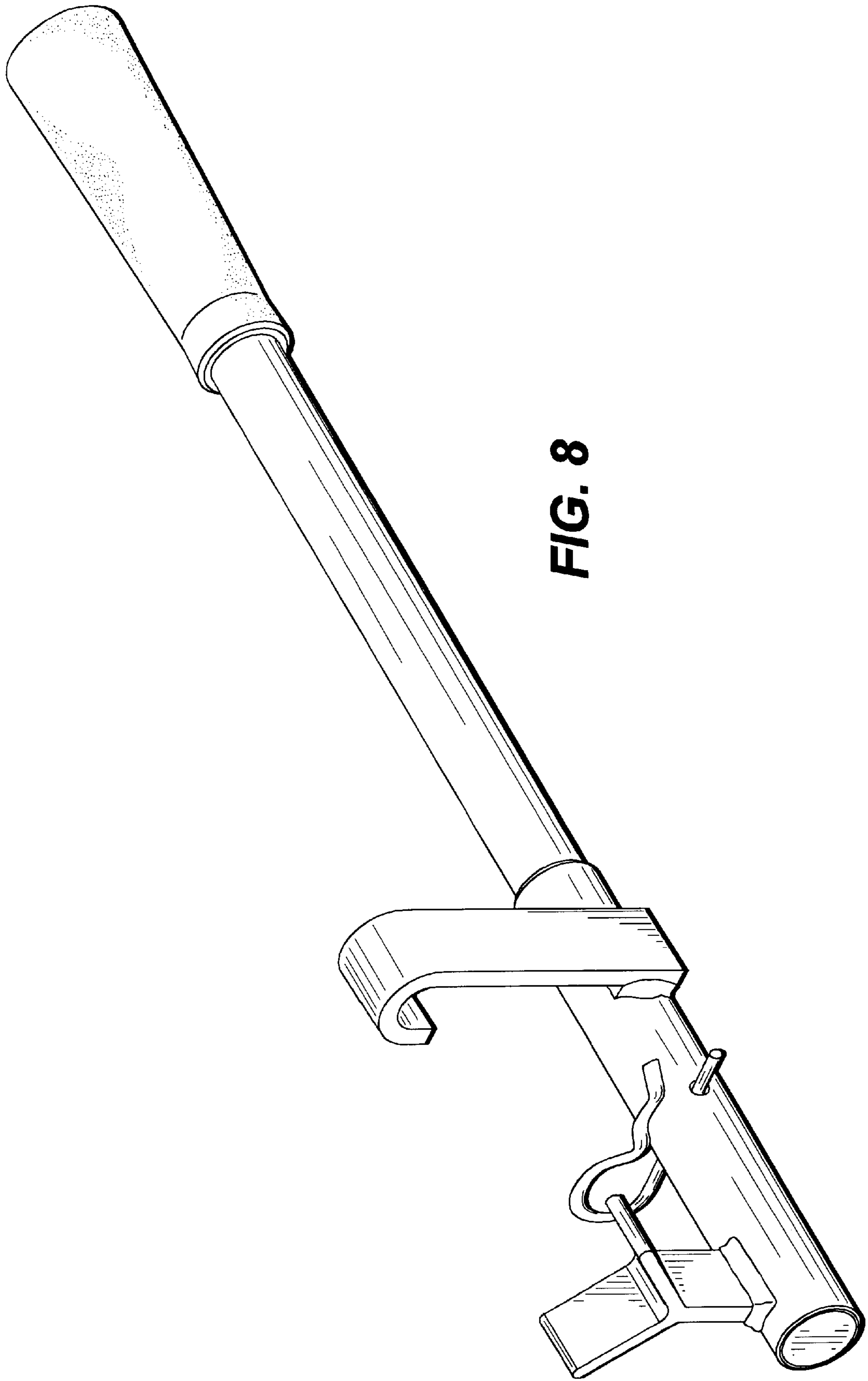
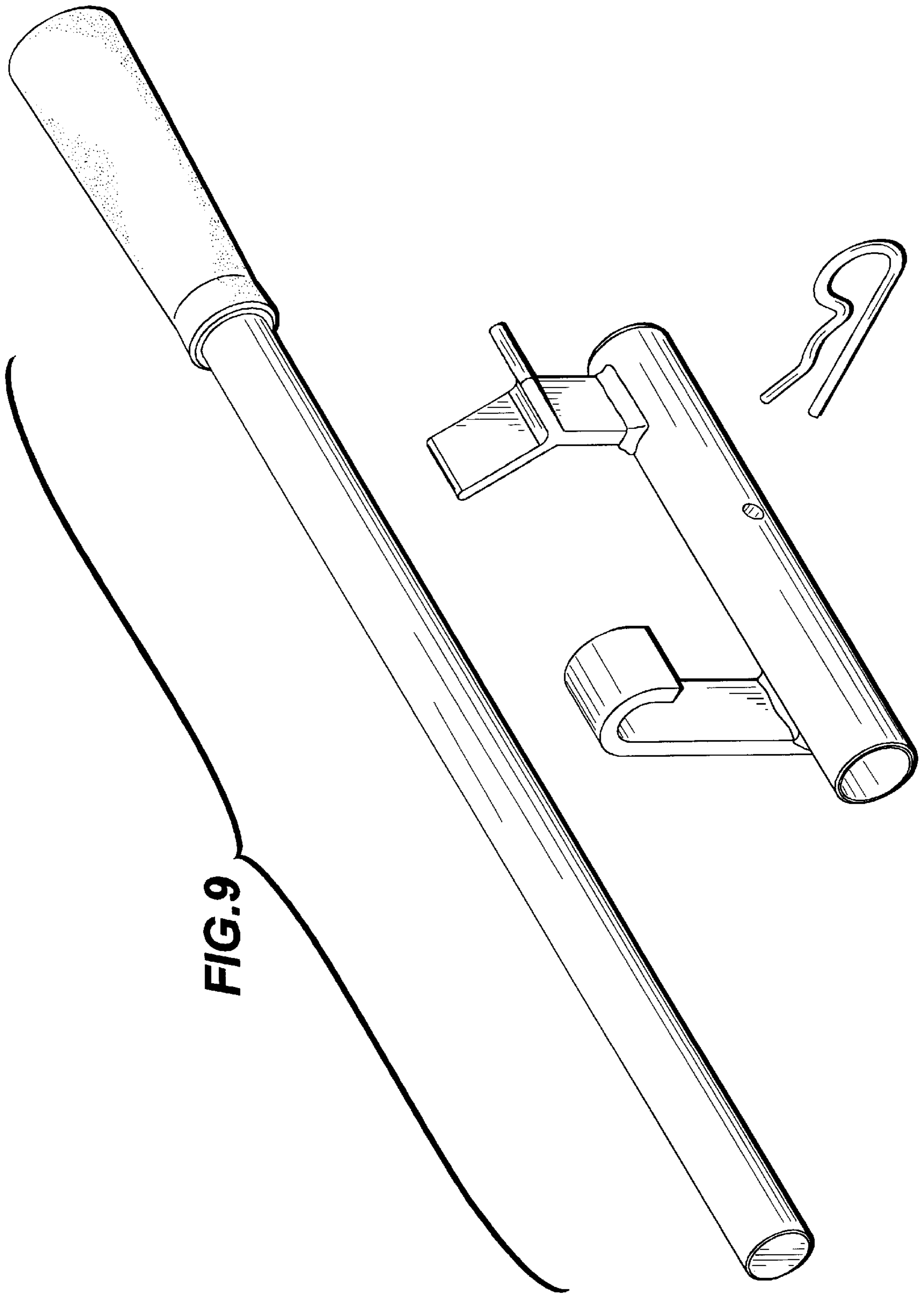


FIG. 8



**FIG. 9**