



US00D421377S

# United States Patent [19] Rivera

[11] **Patent Number: Des. 421,377**  
[45] **Date of Patent: \*\* Mar. 7, 2000**

[54] **FOLDING PLIERS**

[75] Inventor: **Benjamin C. Rivera**, West Linn, Oreg.

[73] Assignee: **Leatherman Tool Group, Inc.**,  
Portland, Oreg.

[\*\*] Term: **14 Years**

[21] Appl. No.: **29/099,888**

[22] Filed: **Jan. 29, 1999**

### Related U.S. Application Data

[60] Continuation-in-part of application No. 29/078,069, Oct. 16, 1997, Pat. No. Des. 407,622, which is a division of application No. 29/047,298, Nov. 29, 1995, Pat. No. Des. 385,168.

[51] **LOC (6) Cl. .... 08-05**

[52] **U.S. Cl. .... D8/58**

[58] **Field of Search** ..... D8/51, 52, 55,  
D8/58, 105; 7/107, 125, 127, 129, 132;  
81/385, 405, 407, 408, 409, 411, 415, 416,  
417, 418, 427.5

[56] **References Cited**

#### U.S. PATENT DOCUMENTS

D. 368,634	4/1996	Frazer	.....	D8/105
D. 385,168	10/1997	Rivera	.....	D8/52
D. 407,622	4/1999	Rivera	.....	D8/52
5,212,844	5/1993	Sessions et al.	.....	71/128
5,745,997	5/1998	Berg et al.	.....	30/155

### OTHER PUBLICATIONS

Coast Cutlery Co., Micro-Pliers 12 in 1 Folding Tool MP2075CP At least as early as Aug. 18, 1998.

Royal International Corp., KC Pro 95120 12 in 1 Pocket Multi-Tool At least as early as Aug. 18, 1998.

Leatherman Tool Group, Inc., The Original Leatherman PST II At least as early as Jul. 1995.

*Primary Examiner*—Alan P. Douglas

*Assistant Examiner*—Reid Hecker

*Attorney, Agent, or Firm*—Chernoff, Vilhauer, McClung & Stenzel, LLP

[57] **CLAIM**

The ornamental design for folding pliers, as shown and described.

### DESCRIPTION

FIG. 1 is a perspective view of a pair of folding pliers showing my new design, wherein the broken line illustrations of a jaw pivot joint and fasteners in the handles are shown for illustrative purposes and form no part of the claimed design;

FIG. 2 is a perspective view of the folding pliers shown in FIG. 1;

FIG. 3 is a top plan view thereof;

FIG. 4 is a left side view thereof;

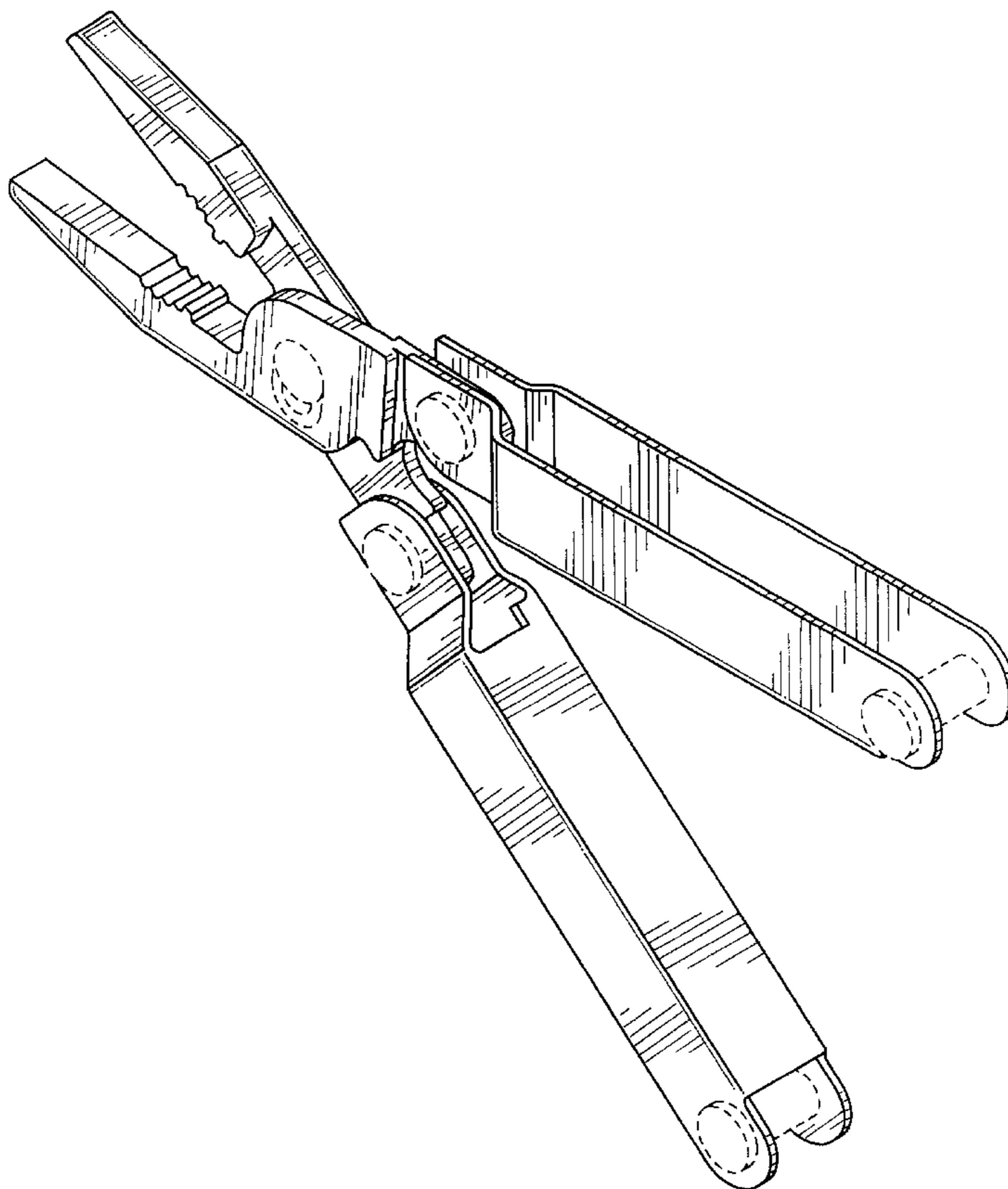
FIG. 5 is a front, or jaw, end view thereof;

FIG. 6 is a rear, or handle, end view thereof;

FIG. 7 is a bottom plan view thereof; and,

FIG. 8 is a right side elevational view thereof.

**1 Claim, 4 Drawing Sheets**



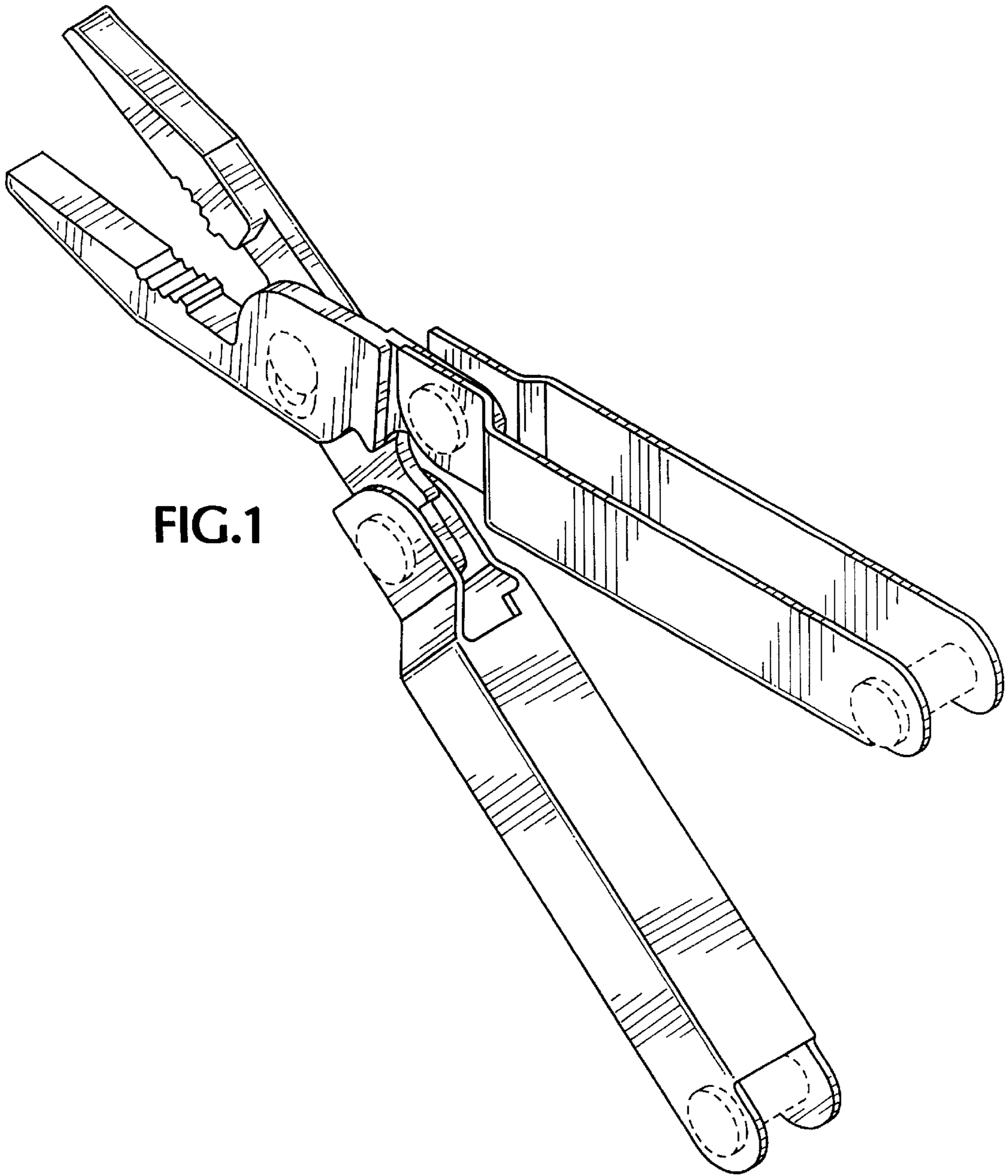


FIG. 1

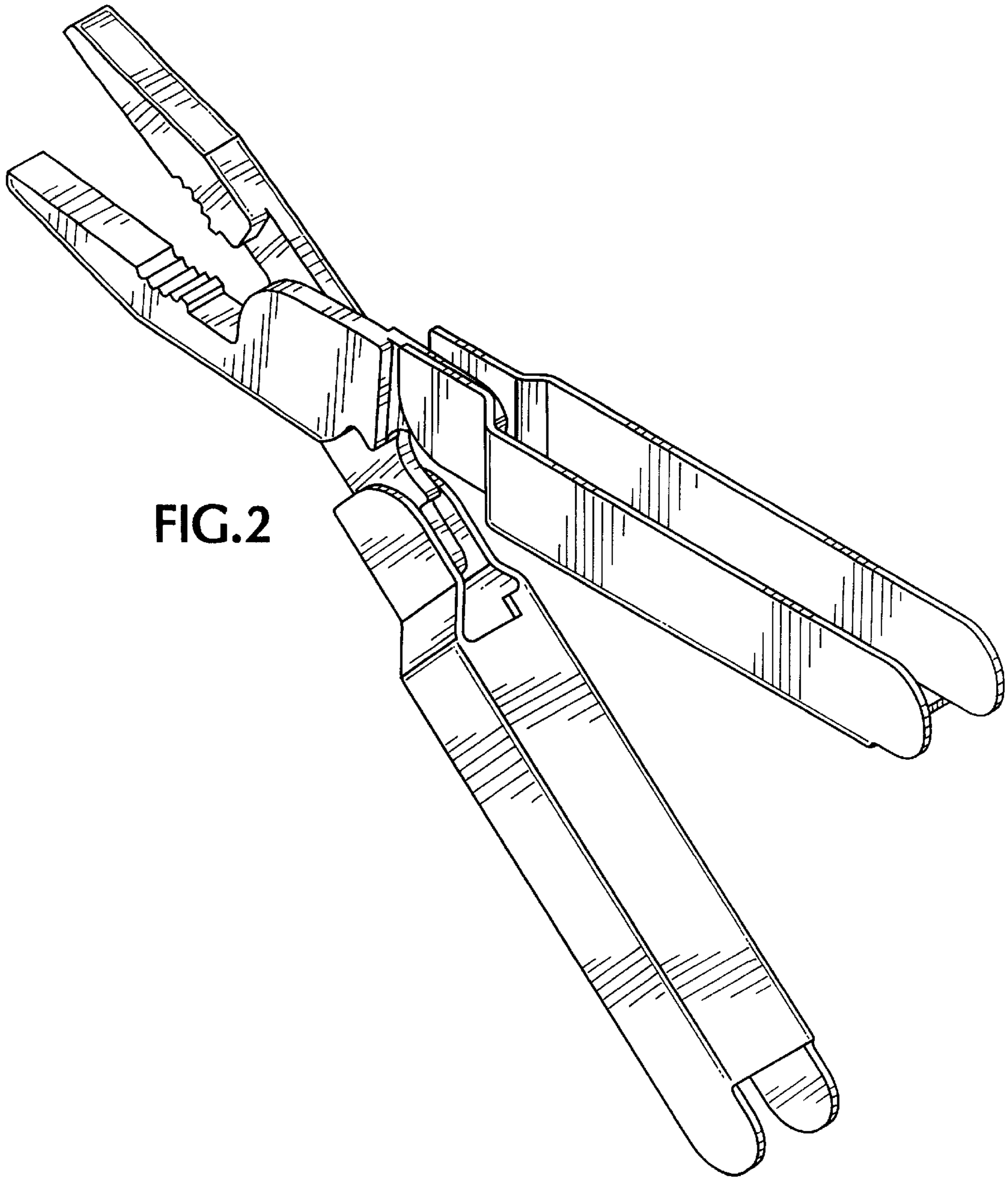


FIG. 2

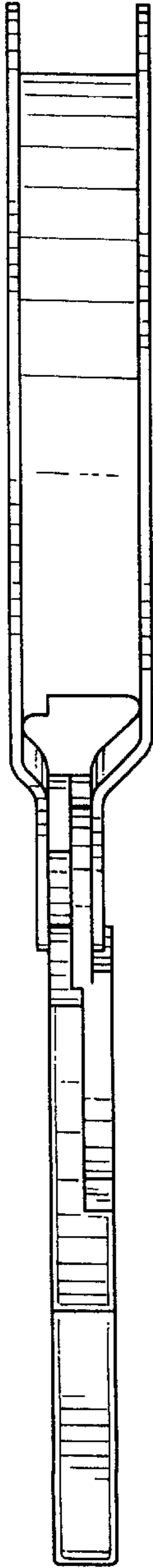


FIG. 3

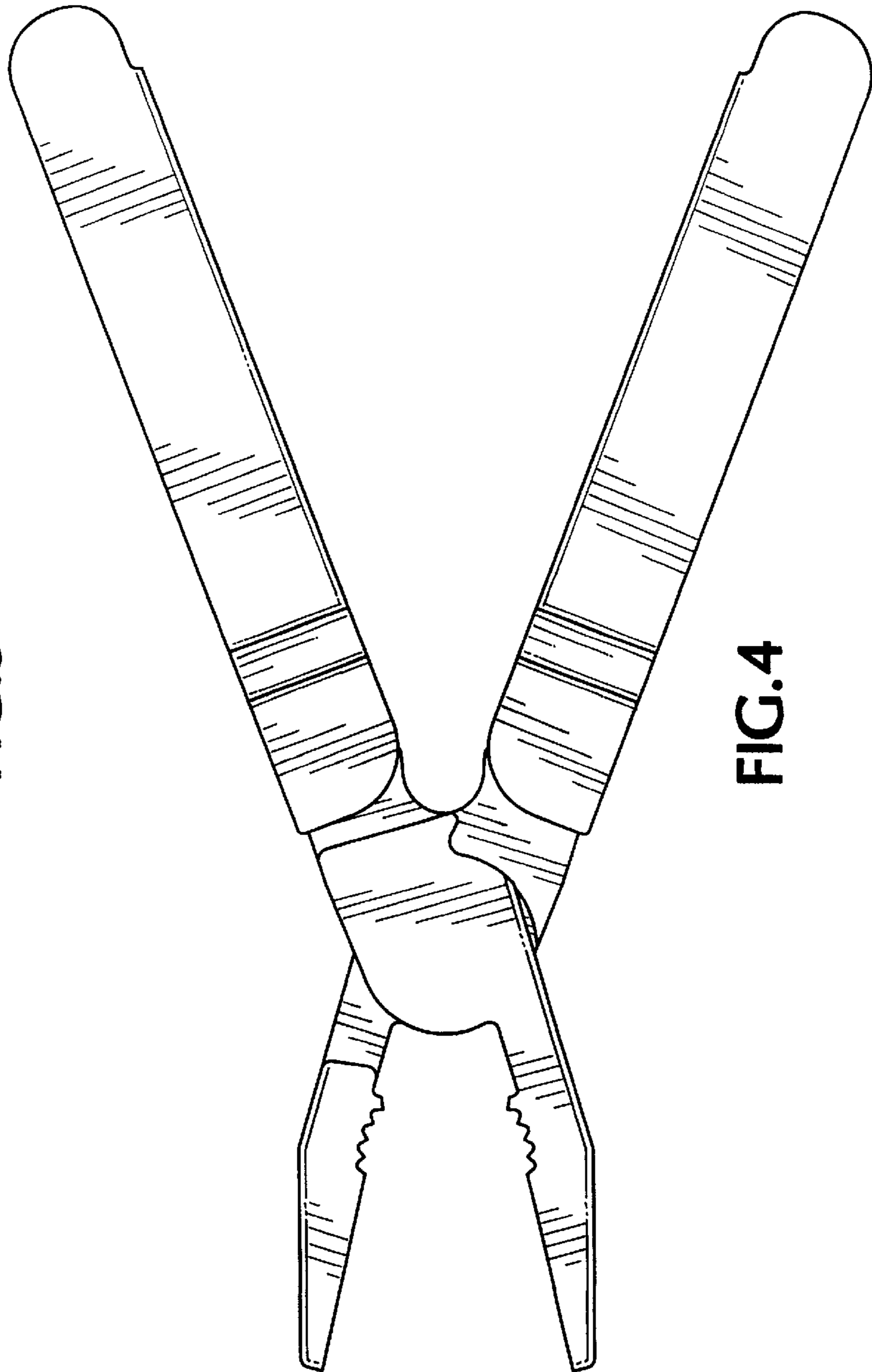


FIG. 4

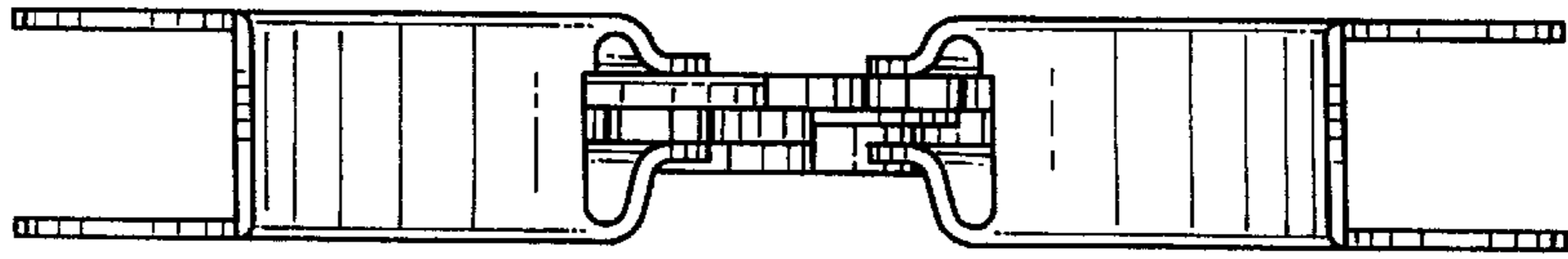


FIG. 6

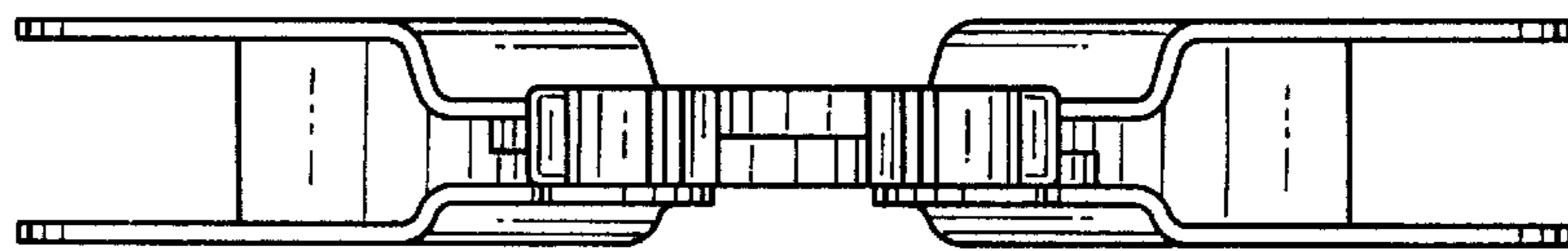


FIG. 5

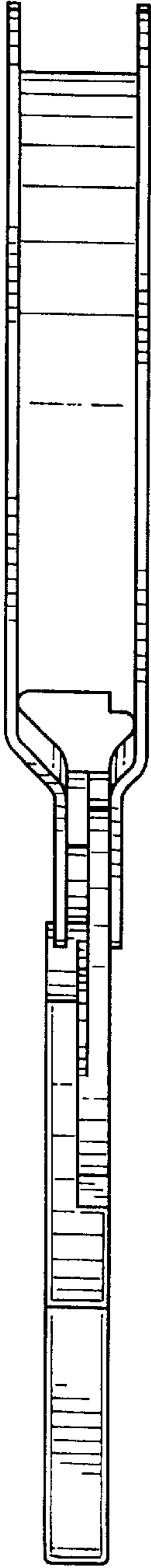


FIG. 7

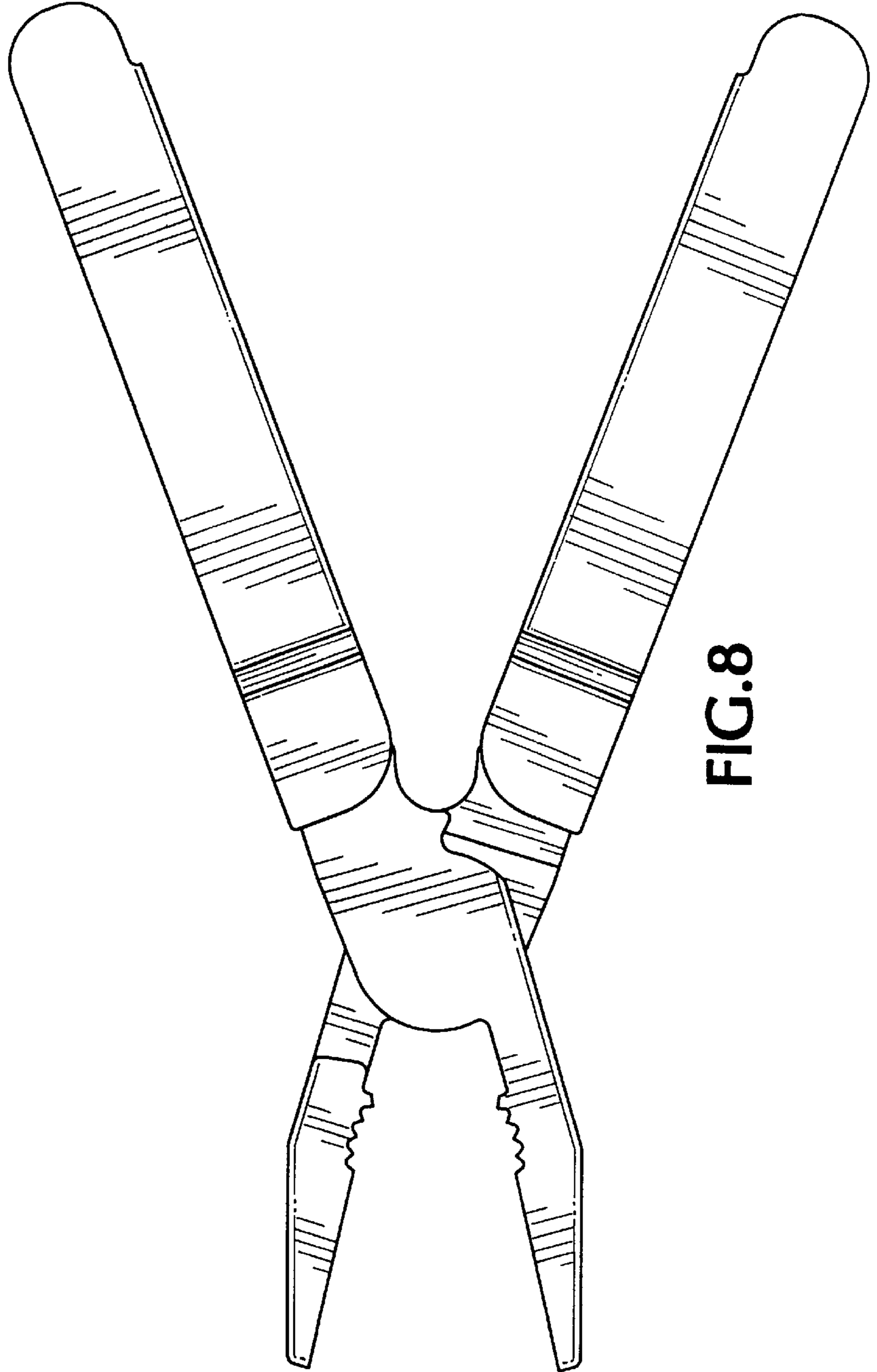


FIG. 8