



US00D421375S

United States Patent [19]

Carlson et al.

[11] Patent Number: **Des. 421,375**

[45] Date of Patent: **** Mar. 7, 2000**

[54] **SOFTGRIP PINKER**

[75] Inventors: **Christopher R. Carlson**, Wausau;
William J. Schulz, Mosinee, both of
Wis.

[73] Assignee: **Fiskars Inc.**, Madison, Wis.

[**] Term: **14 Years**

[21] Appl. No.: **29/105,446**

[22] Filed: **May 25, 1999**

[51] **LOC (6) Cl.** **08-03**

[52] **U.S. Cl.** **D8/57**

[58] **Field of Search** D8/57, 98, 107;
D24/148; 606/174; 30/120, 145, 194, 201,
229, 230, 257

[56] **References Cited**

U.S. PATENT DOCUMENTS

D. 267,773 2/1983 Linden D8/57

Primary Examiner—Joel Sincavage
Assistant Examiner—Reid Hecker
Attorney, Agent, or Firm—Foley & Lardner

[57] **CLAIM**

The ornamental design for the softgrip pinker, as shown and described.

DESCRIPTION

FIG. 1 is a first perspective view of a softgrip pinker showing our new design;
FIG. 2 is a second perspective view of a softgrip pinker showing our new design;
FIG. 3 is a rear elevational view thereof;
FIG. 4 is a front elevational view thereof;
FIG. 5 is a top plan view thereof;
FIG. 6 is a bottom plan view thereof;
FIG. 7 is a left side elevational view thereof; and,
FIG. 8 is a right side elevational view thereof.
The broken line showing of the blades is for illustrative purposes only and forms no part of the claimed design.

1 Claim, 3 Drawing Sheets

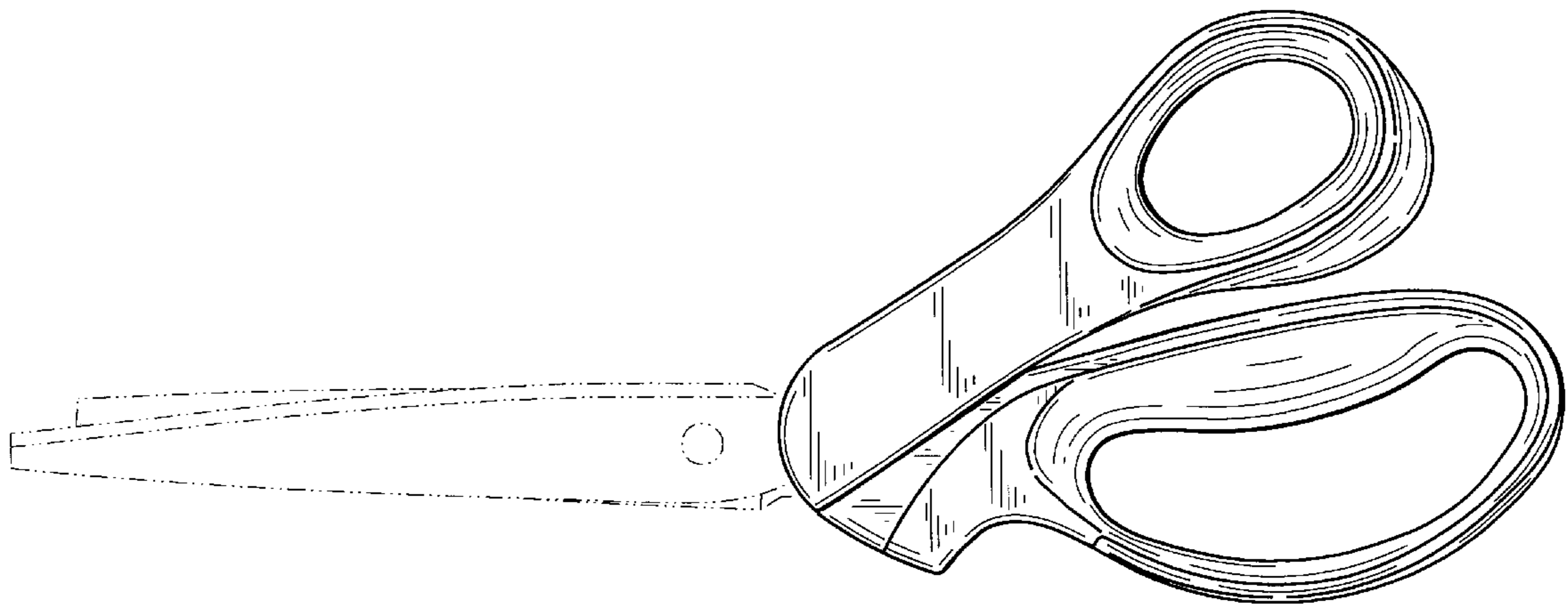


FIG. 1

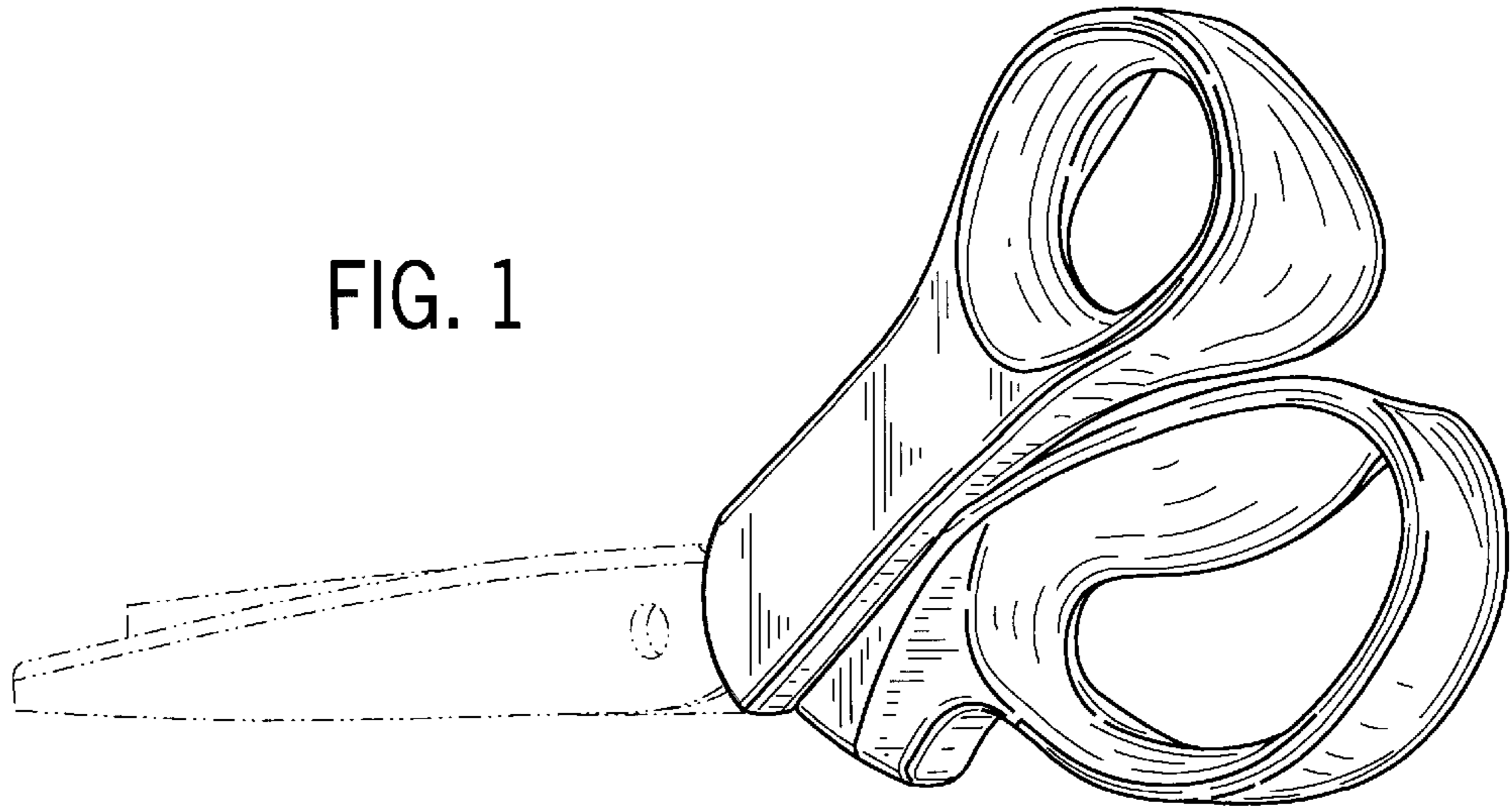
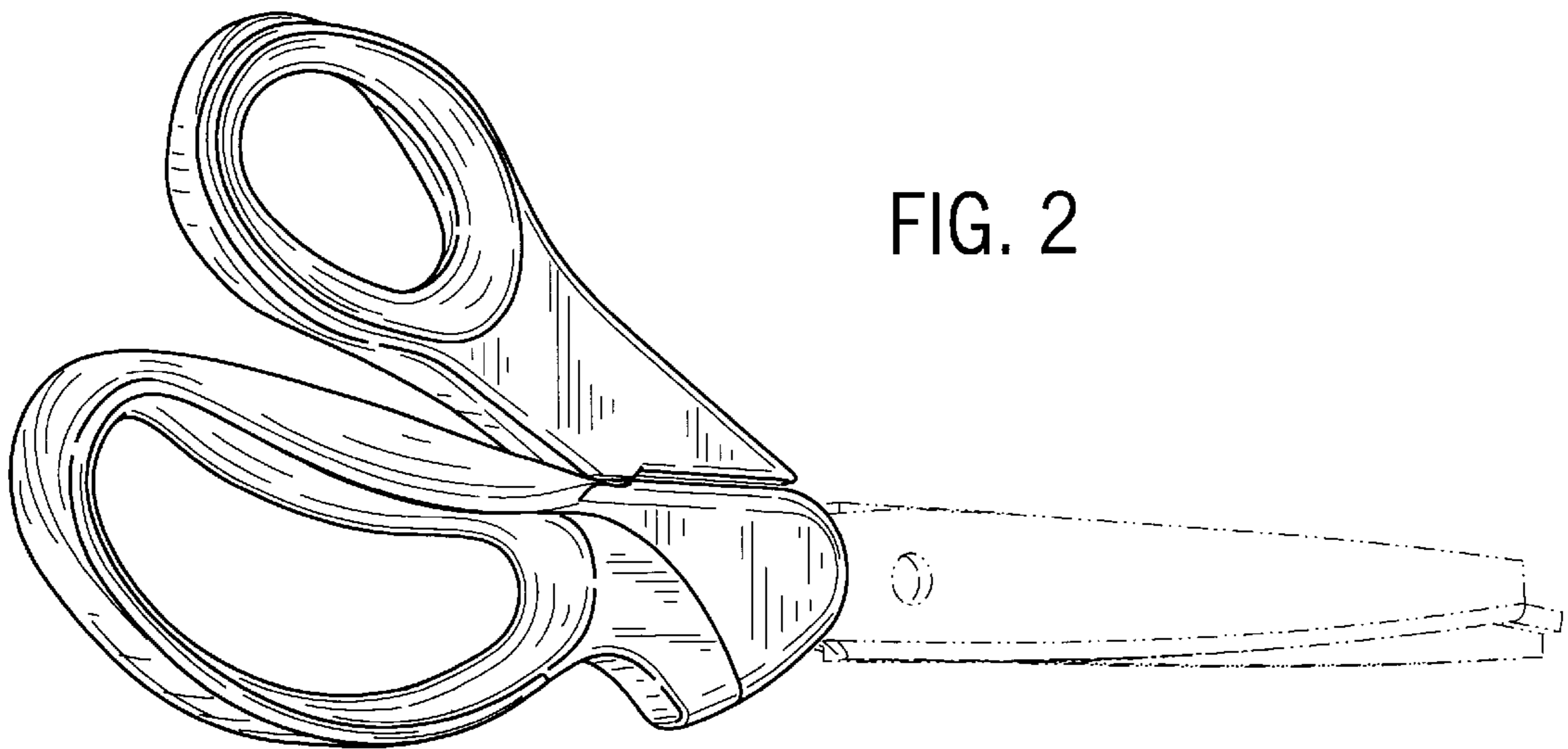


FIG. 2



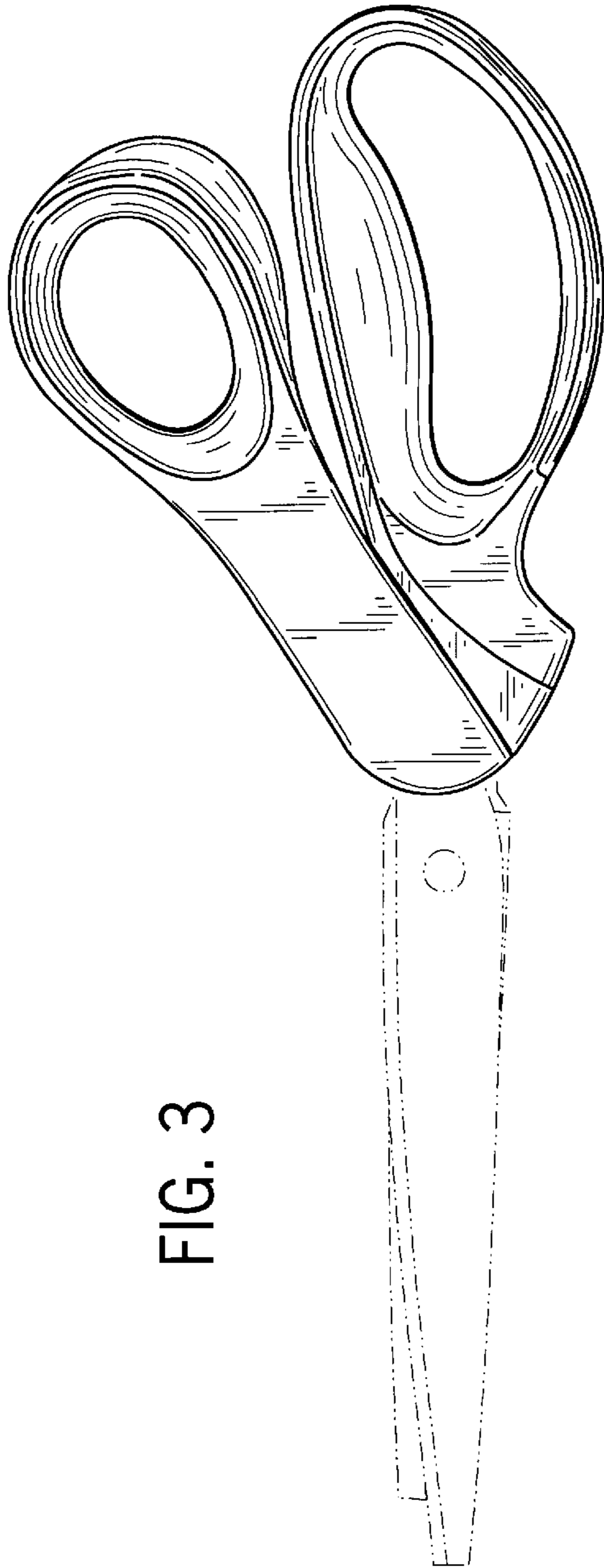


FIG. 3

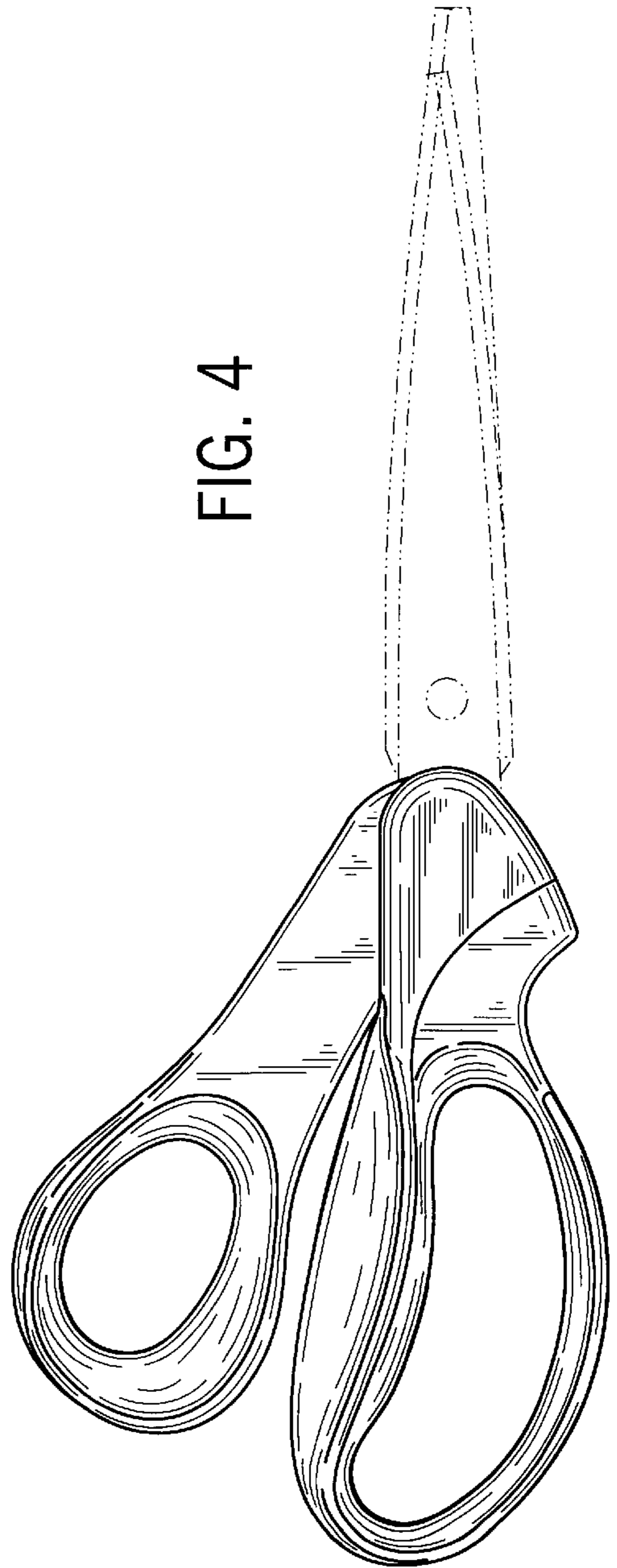


FIG. 4

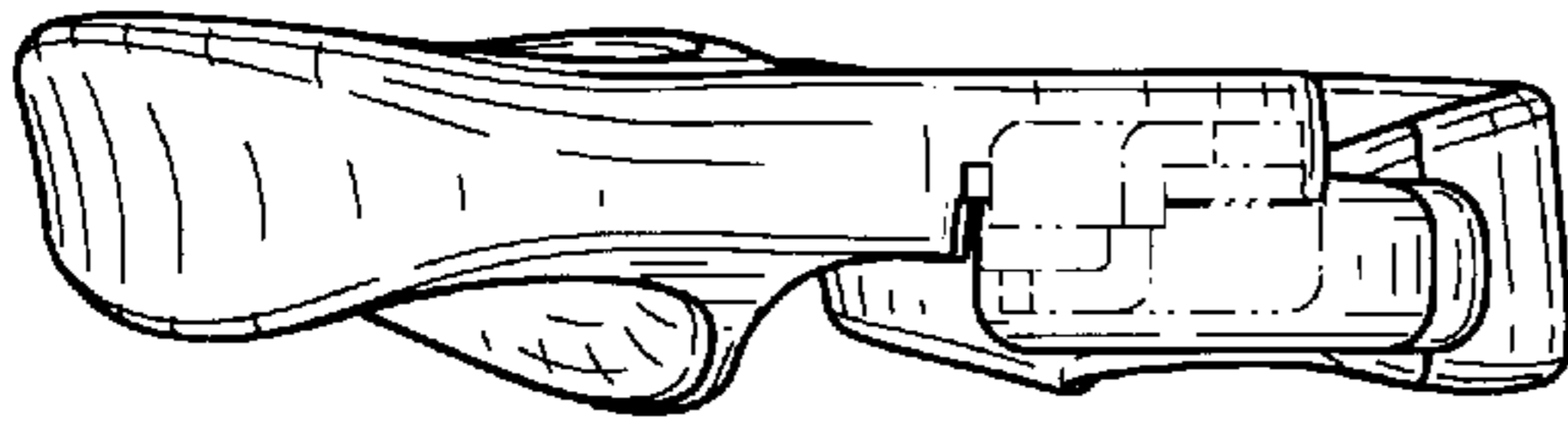


FIG. 7

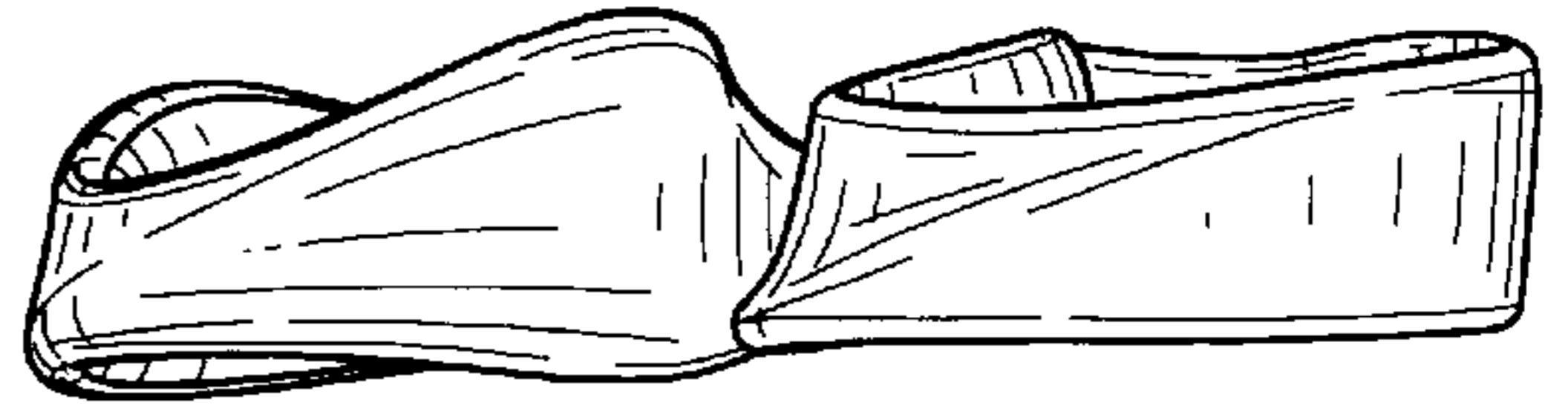


FIG. 8

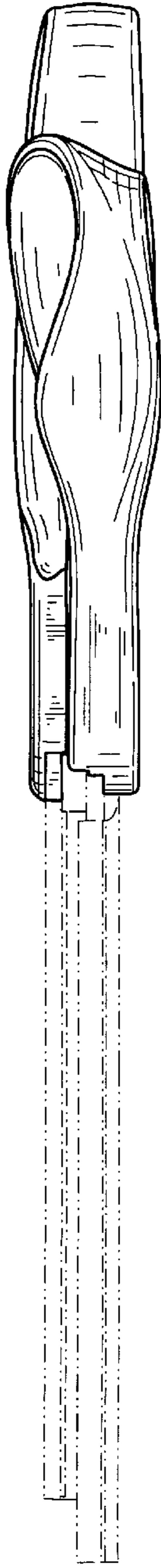


FIG. 5

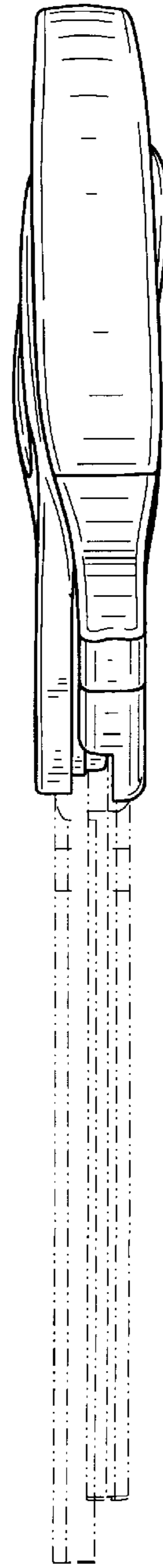


FIG. 6