



US00D421374S

United States Patent [19] Montgomery

[11] **Patent Number: Des. 421,374**

[45] **Date of Patent: ** Mar. 7, 2000**

[54] **WEDGE**

[76] Inventor: **Page E. Montgomery**, P.O. Box 1851,
Alturas, Calif. 96101

[**] Term: **14 Years**

[21] Appl. No.: **29/068,813**

[22] Filed: **Dec. 2, 1996**

3,836,118	9/1974	Meyer	254/104
4,135,335	1/1979	Jensen	254/104 X
4,736,974	4/1988	Rosenthal	D8/402 X

FOREIGN PATENT DOCUMENTS

181460	3/1955	Germany	254/104
--------	--------	---------	-------	---------

Primary Examiner—Ted Shooman
Assistant Examiner—Richelle Shelton

[57] CLAIM

The ornamental design for a wedge, as shown and described.

Related U.S. Application Data

[63] Continuation of application No. 08/612,234, Mar. 7, 1996, abandoned, which is a continuation-in-part of application No. 07/845,482, Mar. 6, 1992, abandoned.

[51] **LOC (6) Cl.** **08-05**

[52] **U.S. Cl.** **D8/47**

[58] **Field of Search** D8/402, 14, 47;
254/104; 144/195.7

DESCRIPTION

FIG. 1 is a perspective view of the top surface of a wedge according to my new design;
FIG. 2 is a perspective view of the bottom surface thereof;
FIG. 3 is an enlarged front elevational view thereof;
FIG. 4 is a rear elevational view thereof;
FIG. 5 is a left side elevational view thereof;
FIG. 6 is a right side elevational view thereof, the broken line showing of another wedge being for illustrative purposes only and forms no part of the claimed design; and,
FIG. 7 is a cross-sectional elevational view thereof taken along line 7—7— of FIG. 5.

[56] References Cited

U.S. PATENT DOCUMENTS

D. 238,745	2/1976	Bedard	D8/47
D. 336,224	6/1993	Terry	D8/14
1,045,984	12/1912	King	254/104
3,185,442	5/1965	Hemphill	254/104

1 Claim, 3 Drawing Sheets

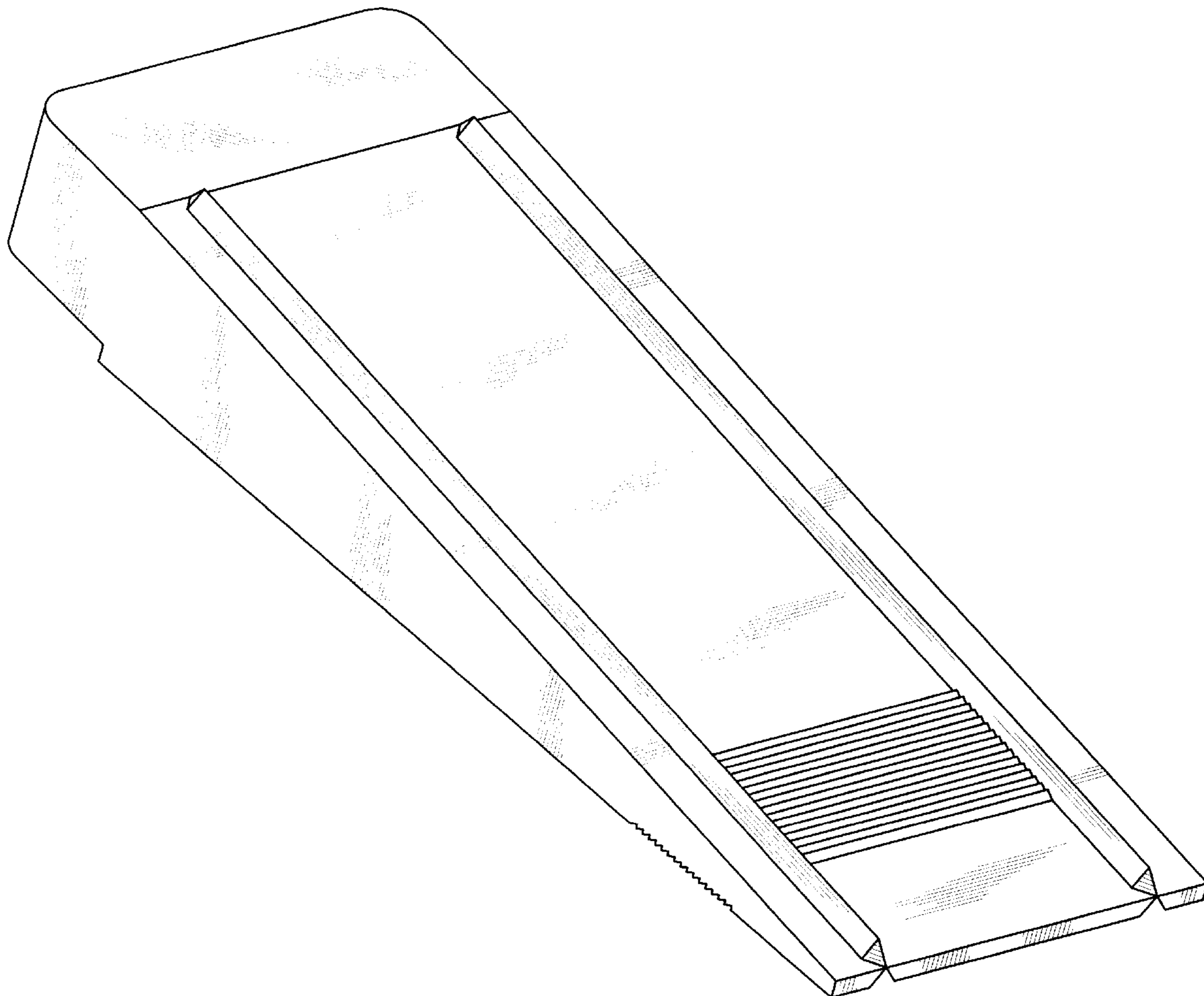


FIG. 1

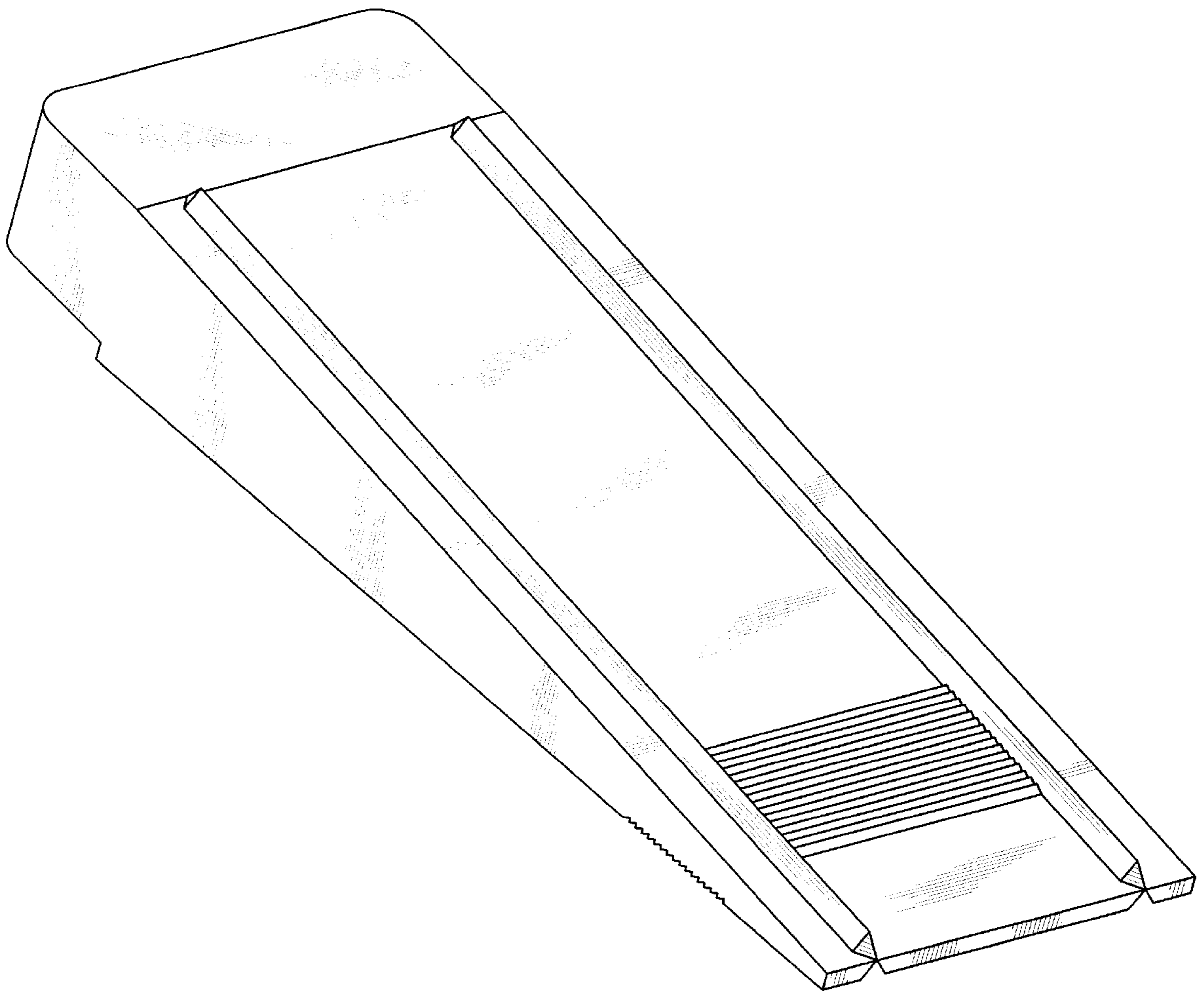


FIG. 2

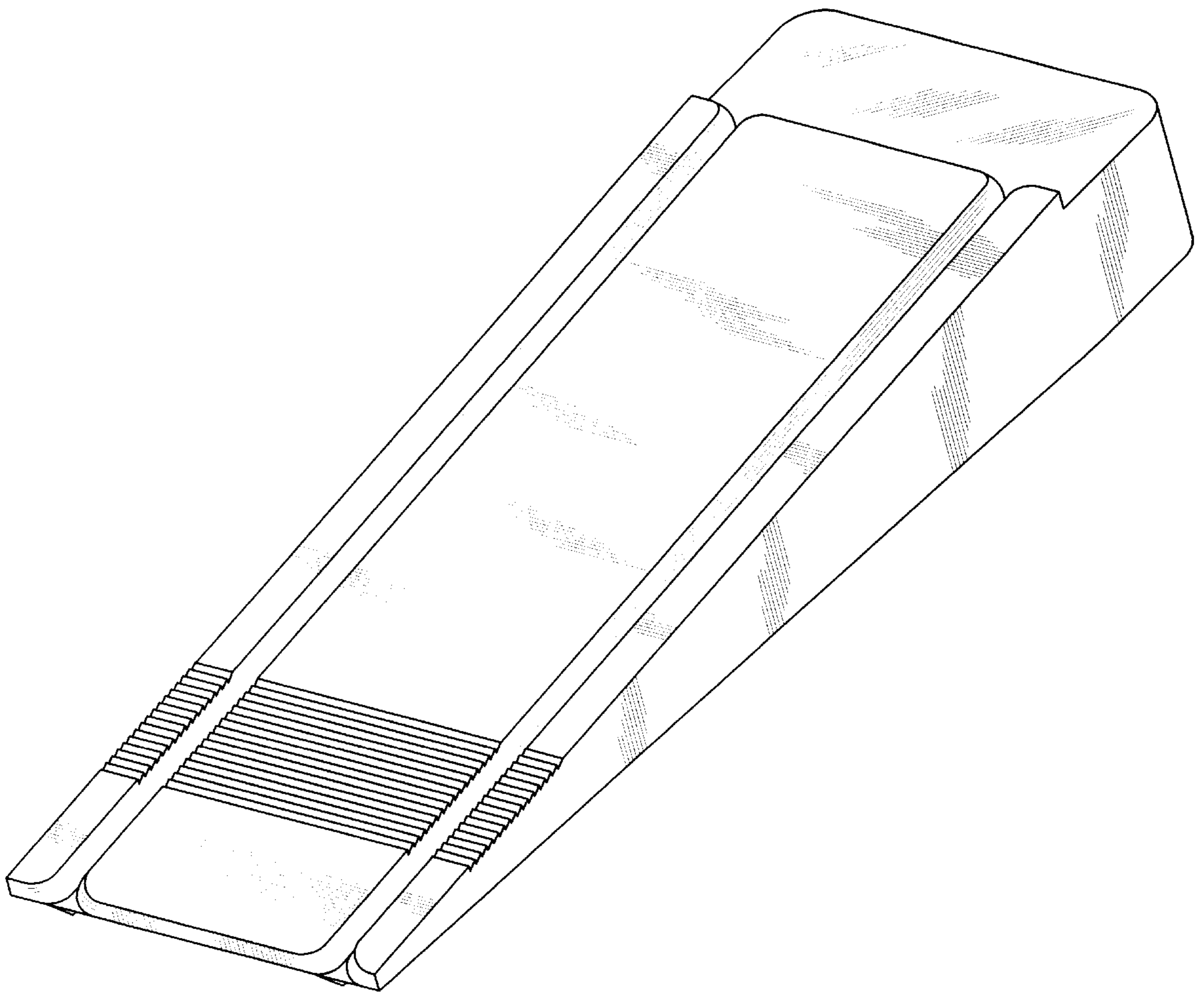


FIG. 7

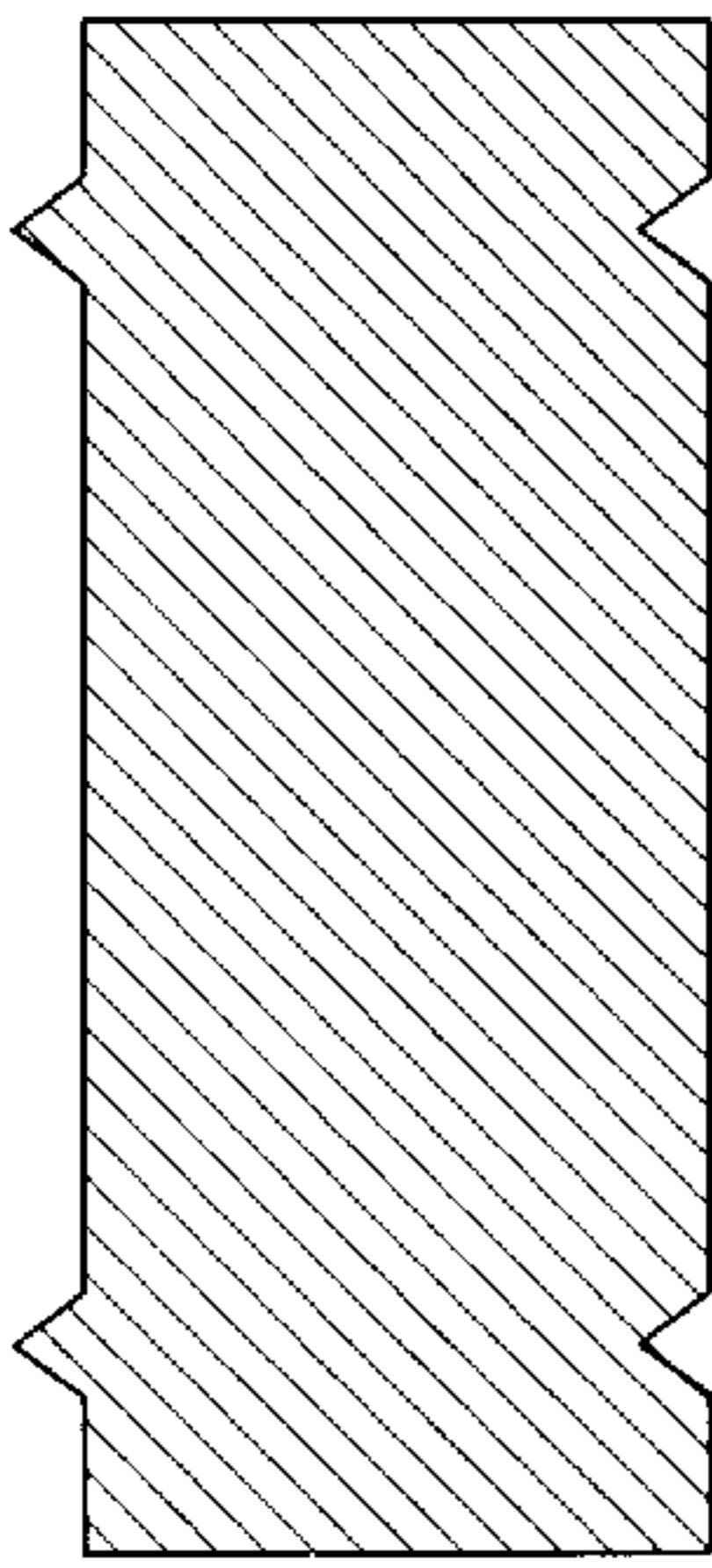


FIG. 4

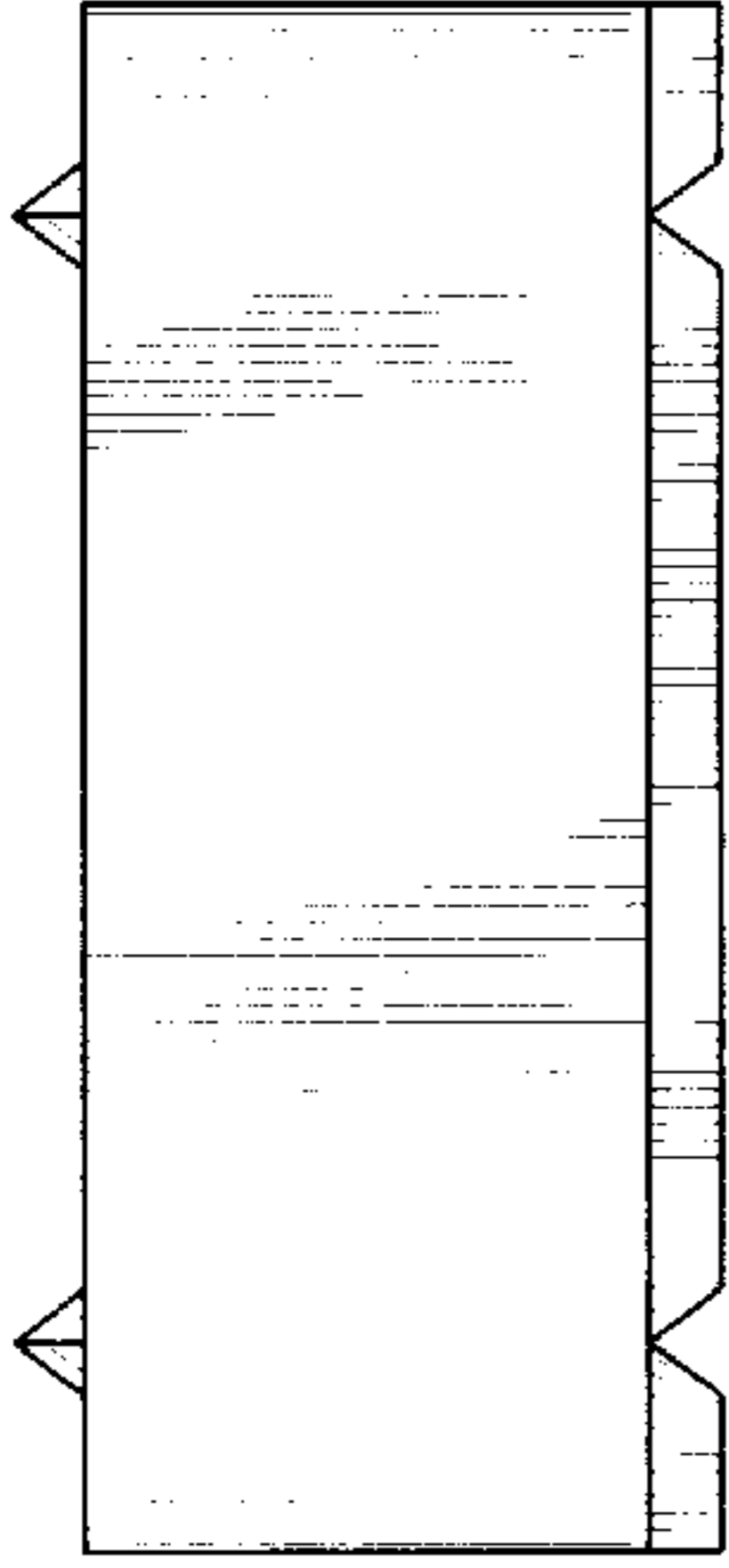


FIG. 3

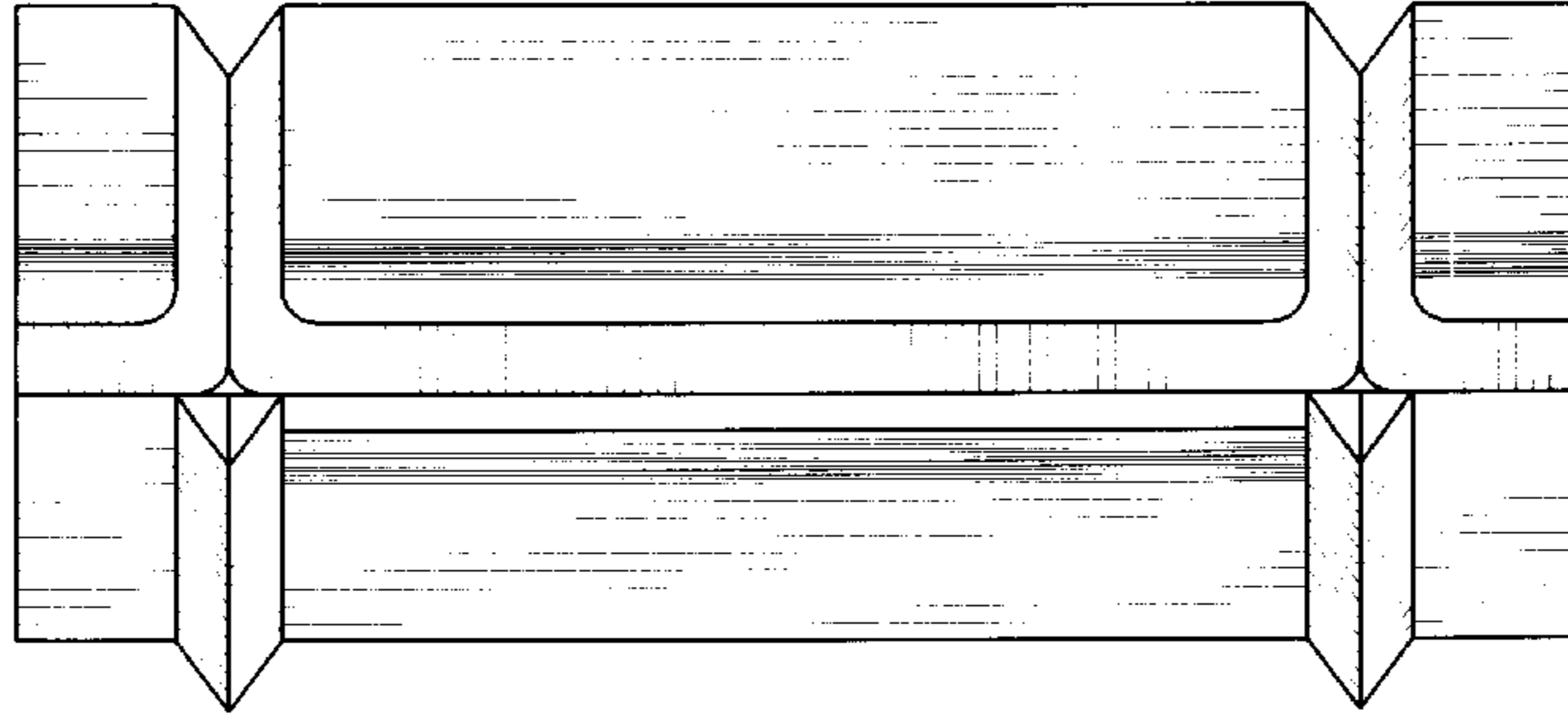


FIG. 5

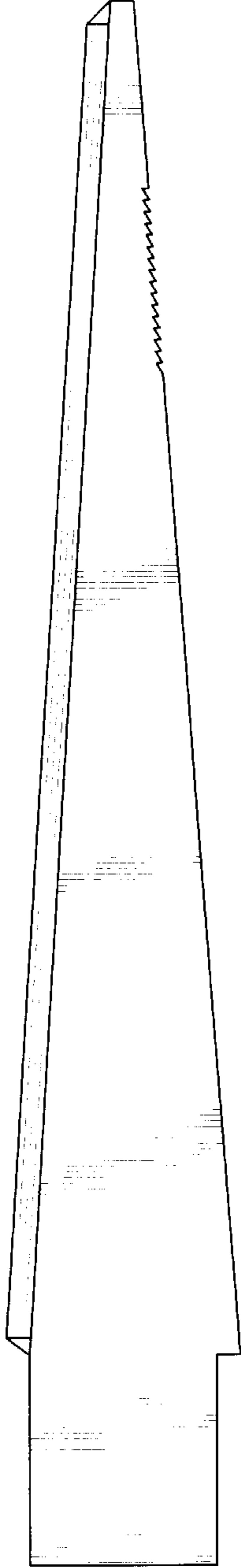
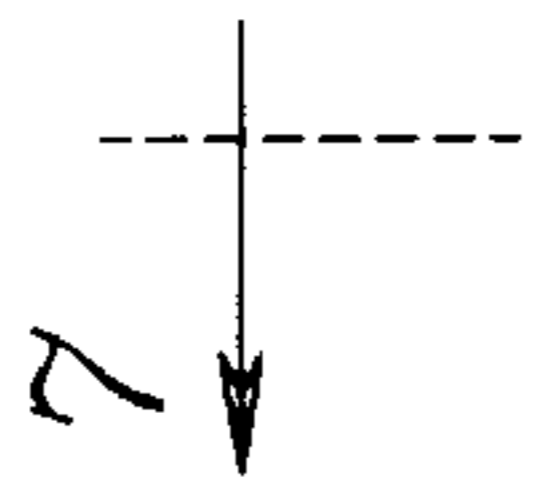


FIG. 6

