



US00D421369S

United States Patent [19] Samarasinghe

[11] **Patent Number: Des. 421,369**

[45] **Date of Patent: ** Mar. 7, 2000**

[54] **EGG SLICER**

[76] Inventor: **Ashantha Samarasinghe**, 4281
Edinburgh Dr., Anchorage, Ak. 99515

[**] Term: **14 Years**

[21] Appl. No.: **29/102,460**

[22] Filed: **Mar. 24, 1999**

[51] **LOC (6) Cl.** **07-04**

[52] **U.S. Cl.** **D7/673**

[58] **Field of Search** D7/673, 674; 30/114,
30/116, 117, 120.3, 303-305; 99/537, 538,
543, 545

[56] **References Cited**

U.S. PATENT DOCUMENTS

D. 368,414	4/1996	VanHalteren et al.	D7/675
D. 400,065	10/1998	Fohrman	D7/673
5,749,145	5/1998	Baukloh	30/114

Primary Examiner—Terry A. Wallace
Attorney, Agent, or Firm—Michael J. Tavella

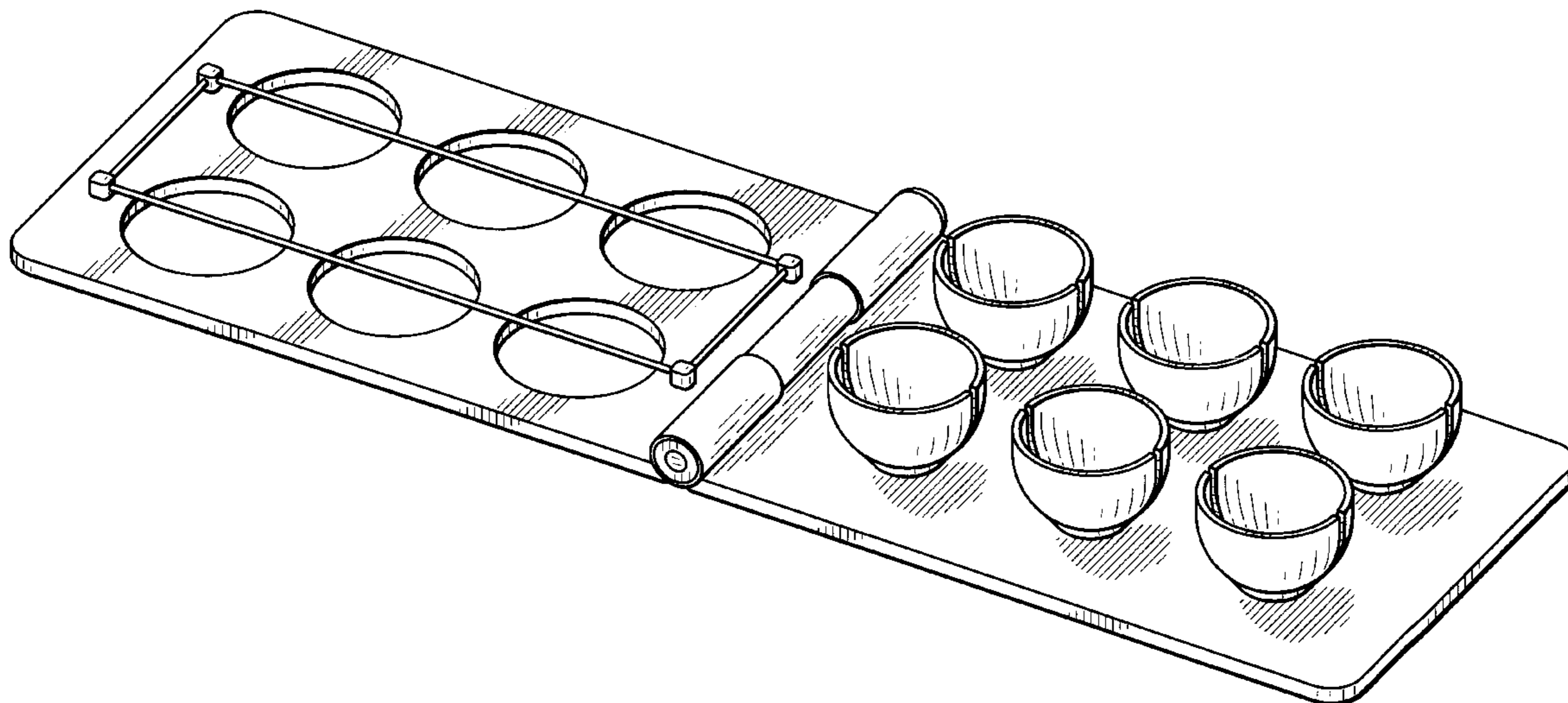
[57] **CLAIM**

The ornamental design for an egg slicer, as shown and described.

DESCRIPTION

FIG. 1 is a perspective view of my egg slicer.
FIG. 2 is a top plan view thereof.
FIG. 3 is front elevation view thereof.
FIG. 4 is a rear elevation view thereof.
FIG. 5 is a ride side elevation view thereof.
FIG. 6 is a left side elevation view thereof.
FIG. 7 is a bottom plan view thereof; and,
FIG. 8 is a perspective view of the egg slicer in a closed position showing a plurality of eggs having been sliced in the cups. The dashed lines showing the eggs in the figure are for illustrative purposes only and form no part of the claimed design.

1 Claim, 5 Drawing Sheets



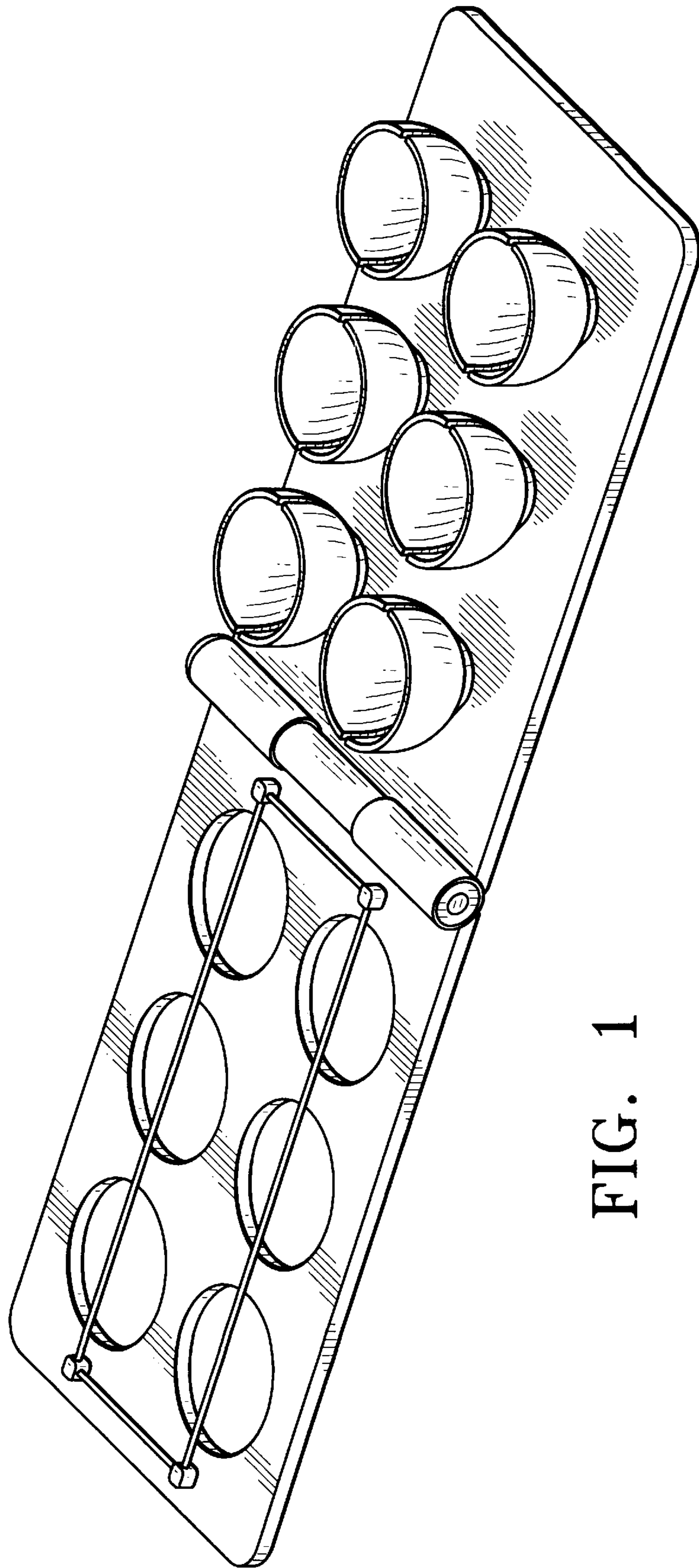


FIG. 1

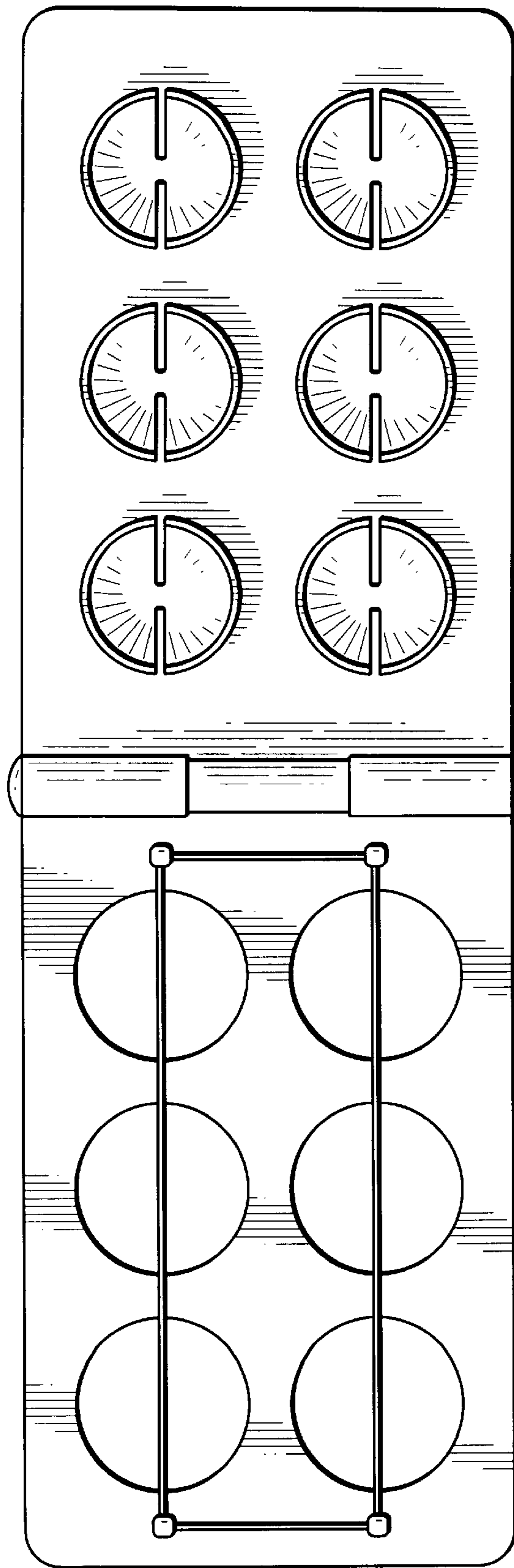


FIG. 2

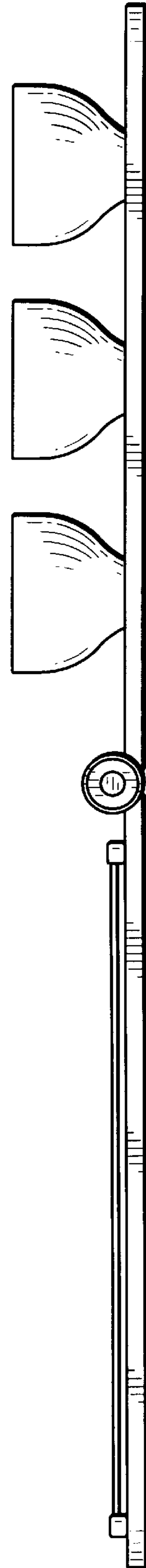


FIG. 3

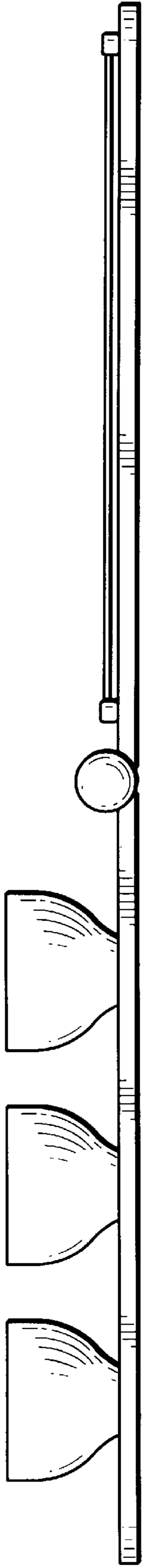


FIG. 4

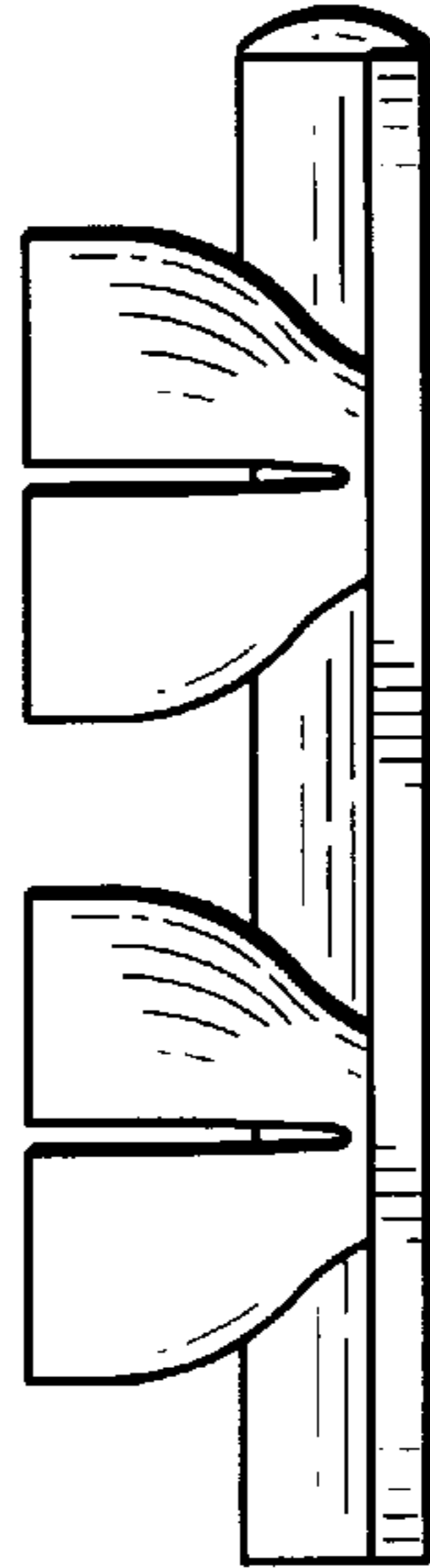


FIG. 5

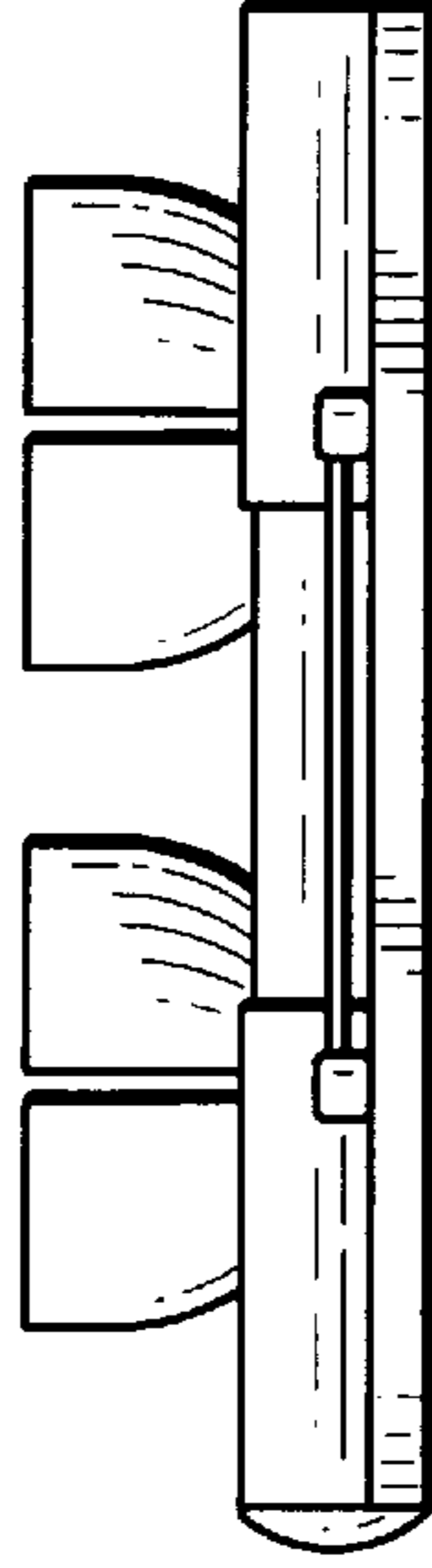


FIG. 6

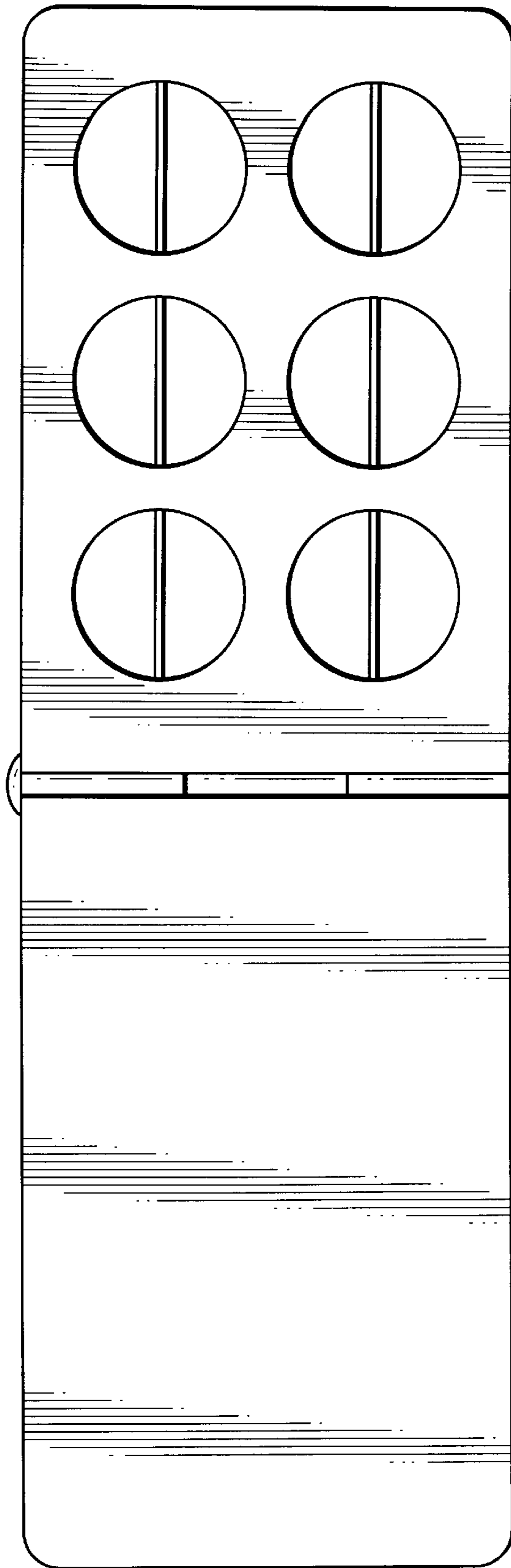


FIG. 7

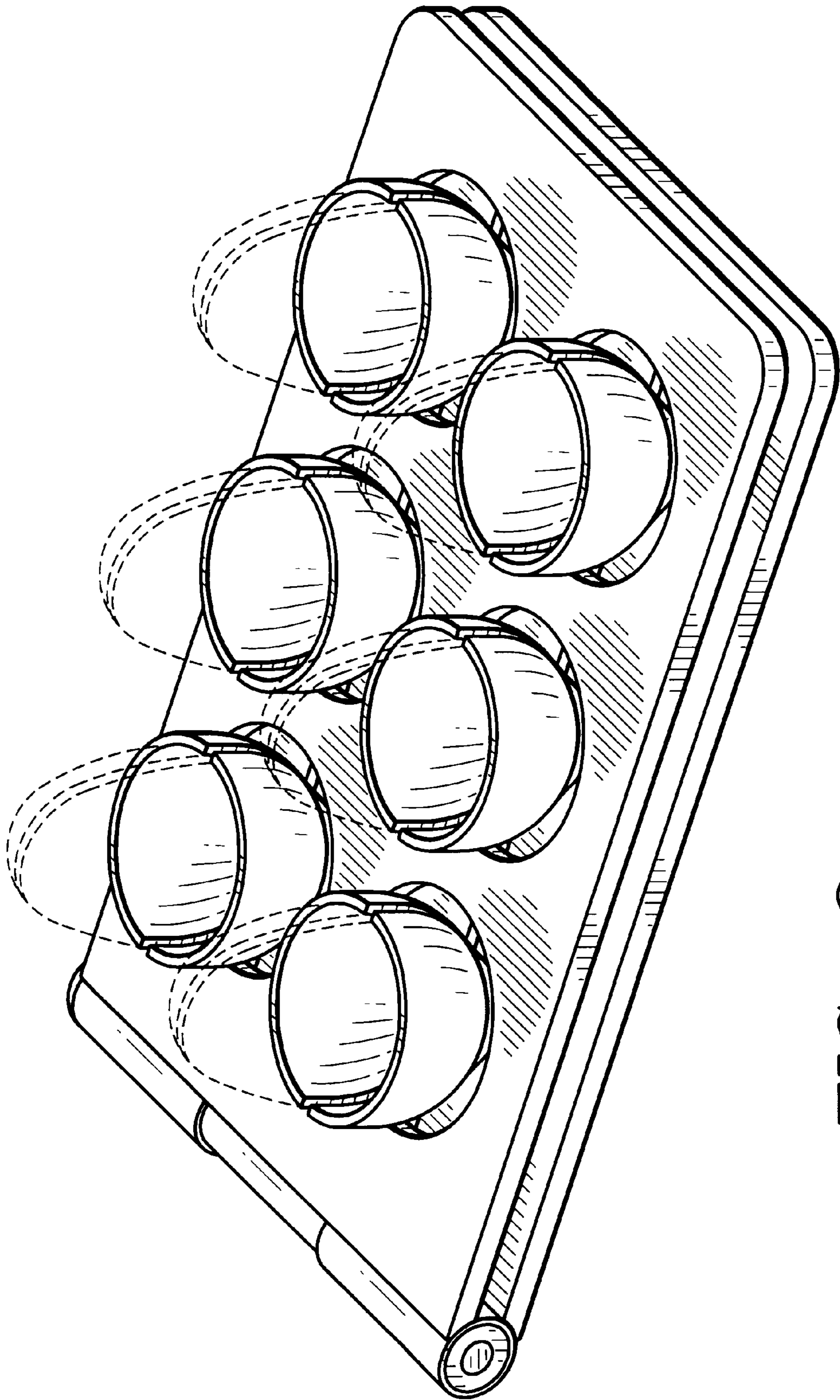


FIG. 8