



US00D421365S

United States Patent [19]

[11] Patent Number: Des. 421,365

Miller et al.

[45] Date of Patent: ** *Mar. 7, 2000

[54] CHIP AND DIP TRAY

[75] Inventors: David George Miller, Carrollton; Arie Nissan Sharon, Rowlett, both of Tex.

[73] Assignee: Recot, Inc., Pleasanton, Calif.

[*] Notice: This patent is subject to a terminal disclaimer.

[**] Term: 14 Years

[21] Appl. No.: 29/106,098

[22] Filed: Jun. 8, 1999

[51] LOC (6) Cl. 07-01

[52] U.S. Cl. D7/553.4; D7/553.3; D7/549

[58] Field of Search D7/553.1, 553.2, D7/553.3, 553.4, 553.5, 555, 549; D9/341, 345, 347; 219/725; 220/556, 575, 501; 206/558

4,702,368	10/1987	Jones .	
4,722,850	2/1988	White et al. .	
4,781,289	11/1988	Perkins .	
4,961,494	10/1990	Alexander .	
4,962,849	10/1990	Anderson .	
5,011,006	4/1991	Anderson .	
5,119,940	6/1992	Grindrod .	
5,167,973	12/1992	Snyder .	
5,277,920	1/1994	Weaver, Jr. .	
5,375,701	12/1994	Hustad et al. .	
5,381,901	1/1995	Hundley .	
5,503,858	4/1996	Reskow .	
5,598,944	2/1997	Aragona	220/575
5,657,873	8/1997	Hustad et al. .	
5,657,874	8/1997	Hustad et al. .	
5,747,084	5/1998	Cochran et al. .	
5,853,105	12/1998	Roman et al. .	
5,857,583	1/1999	Chantaca et al. .	

Primary Examiner—M. N. Pandozzi
Attorney, Agent, or Firm—Carstens, Yee & Cahoon; Colin P. Cahoon

[56] References Cited

U.S. PATENT DOCUMENTS

D. 166,735	5/1952	Chaplin	D7/555
D. 233,581	11/1974	Bridges et al.	D7/553.4
D. 284,157	6/1986	Morr	D9/347
D. 335,442	5/1993	Detert et al. .	
D. 366,187	1/1996	Van Den Kieboom	D7/555 X
D. 366,828	2/1996	Bachand et al. .	
D. 379,301	5/1997	Lippincott .	
D. 381,264	7/1997	Lippincott .	
D. 386,075	11/1997	Hayes et al.	D9/341
D. 393,798	4/1998	Joswick .	
D. 398,481	9/1998	Brown et al.	D7/555 X
D. 404,218	1/1999	Sussman	D7/553.4 X
2,843,287	7/1958	Finley	D7/553.4
3,037,677	6/1962	Debs .	
3,651,930	3/1972	Artz .	
3,726,395	4/1973	Duhy .	
4,202,464	5/1980	Mohs et al. .	
4,286,136	8/1981	Mason, Jr. .	
4,568,017	2/1986	Grunert .	

[57] CLAIM

The ornamental design for a chip and dip tray, as shown.

DESCRIPTION

FIG. 1 is a perspective view of the chip and dip tray of the present invention;
FIG. 2 is an end view in elevation of the chip and dip tray of FIG. 1 as seen from the left-hand side of FIG. 1;
FIG. 3 is a side view in elevation of the chip and dip tray of FIG. 1 as seen from the right-hand side of FIG. 1;
FIG. 4 is an end view in elevation of the chip and dip tray of FIG. 1 as seen from the right-hand side of FIG. 1;
FIG. 5 is a side view in elevation of the chip and dip tray of FIG. 1 as seen from the left-hand side of FIG. 1;
FIG. 6 is a top plan view in elevation of the chip and dip tray of FIG. 1; and,
FIG. 7 is a bottom plan view in elevation of the chip and dip tray of FIG. 1.

1 Claim, 2 Drawing Sheets

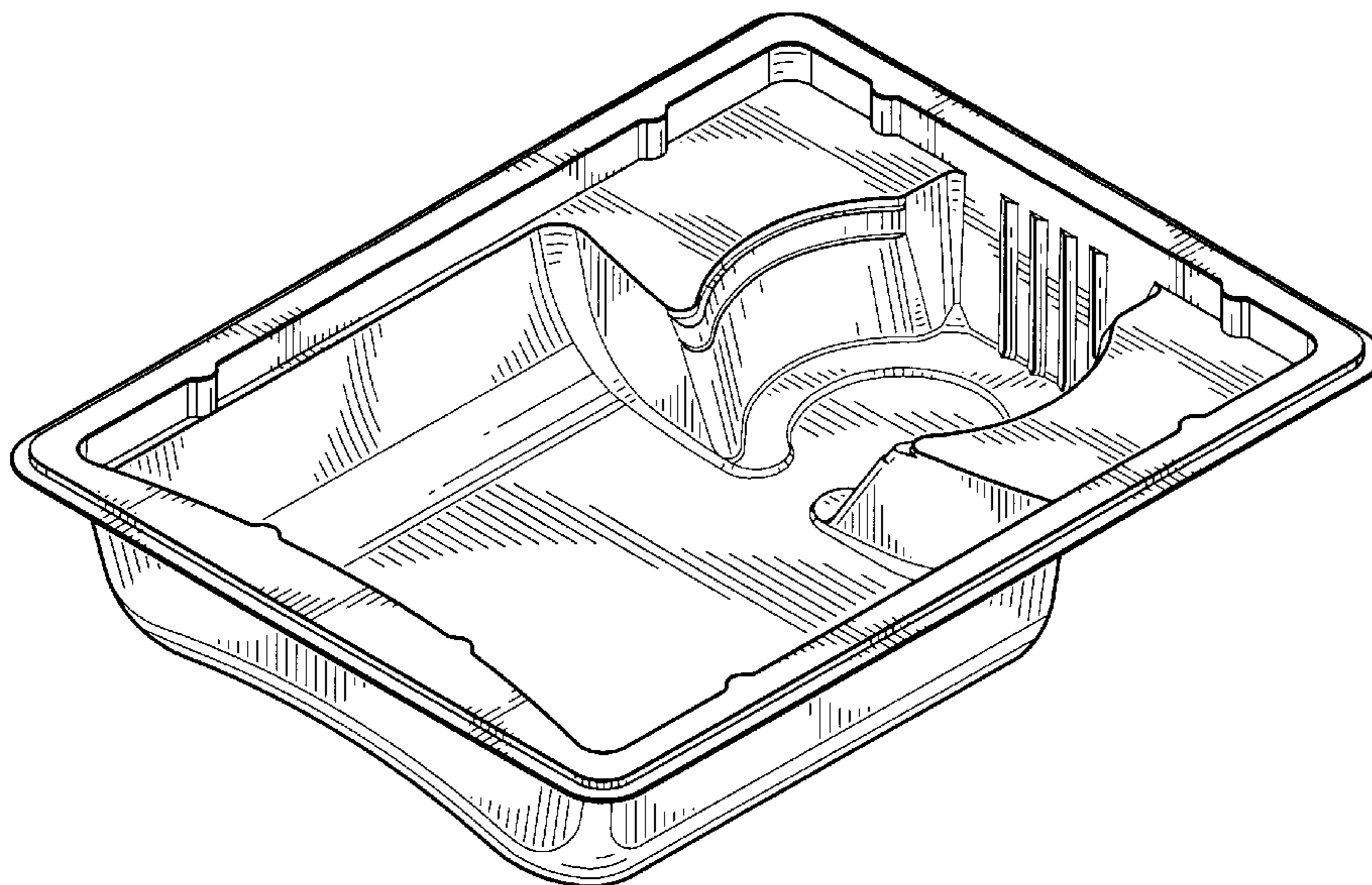


FIG. 1

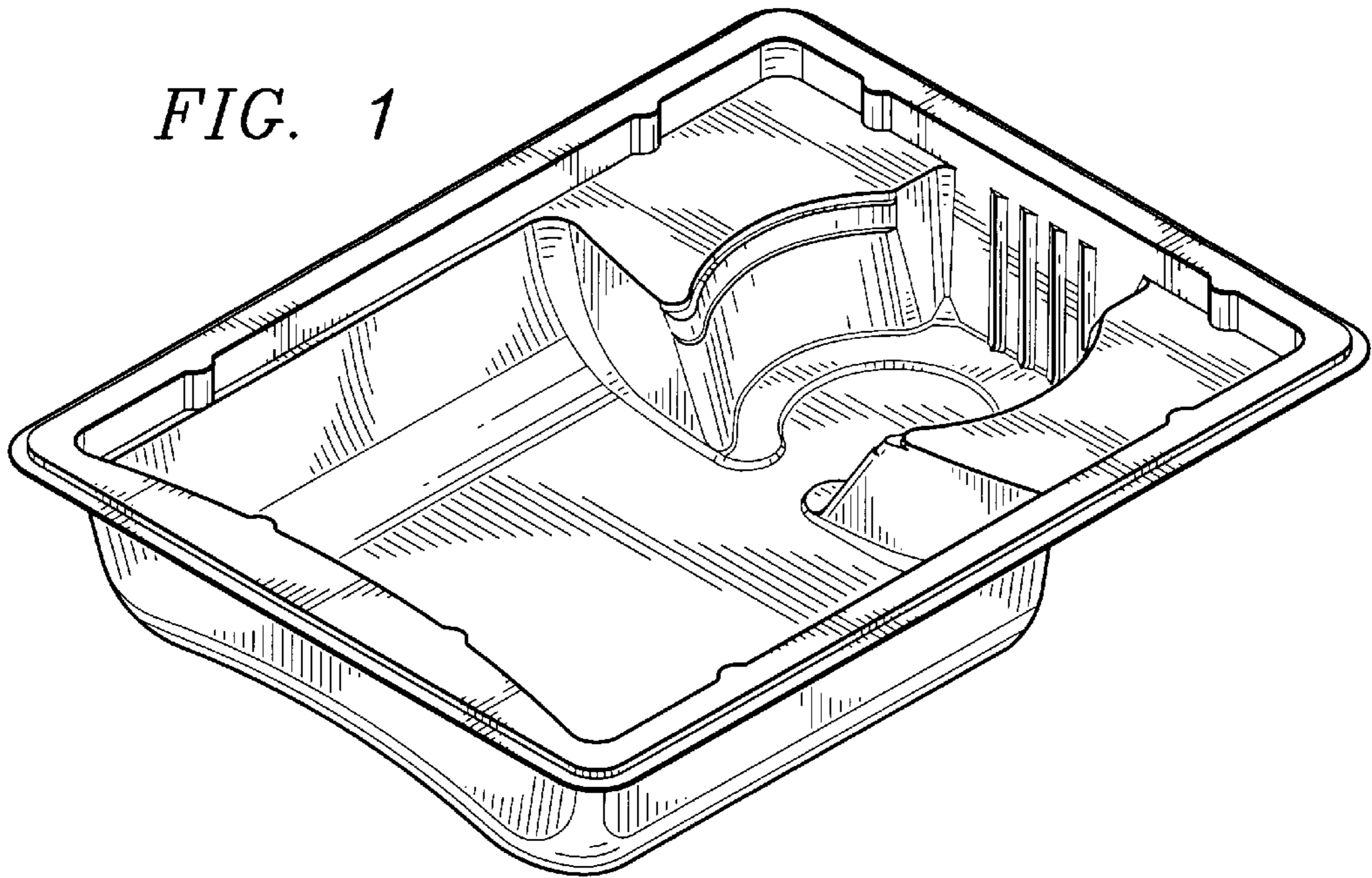


FIG. 2

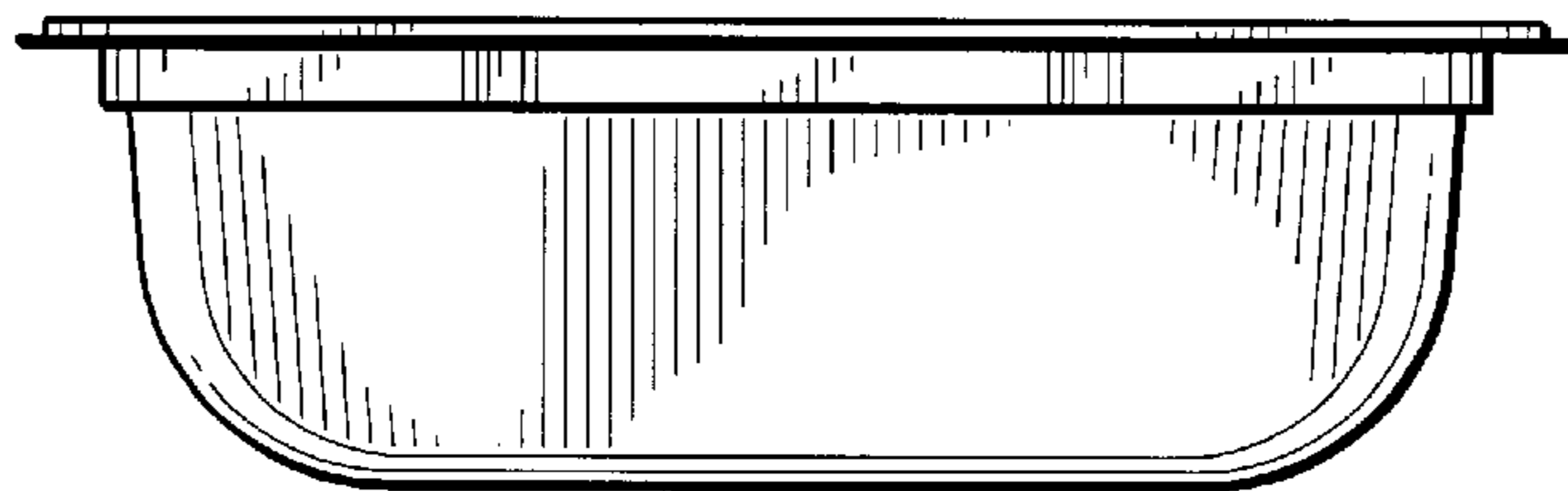


FIG. 3

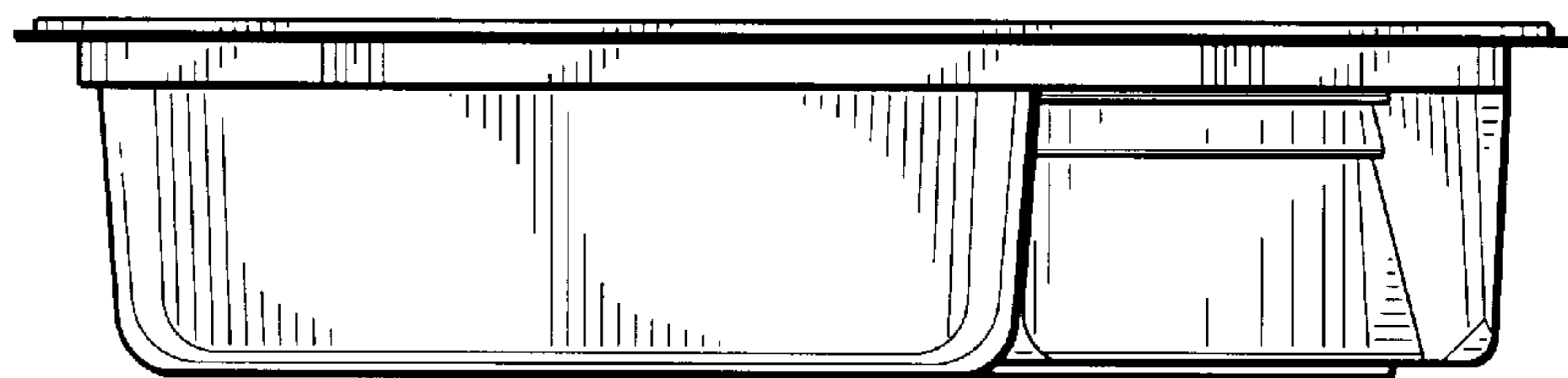


FIG. 4

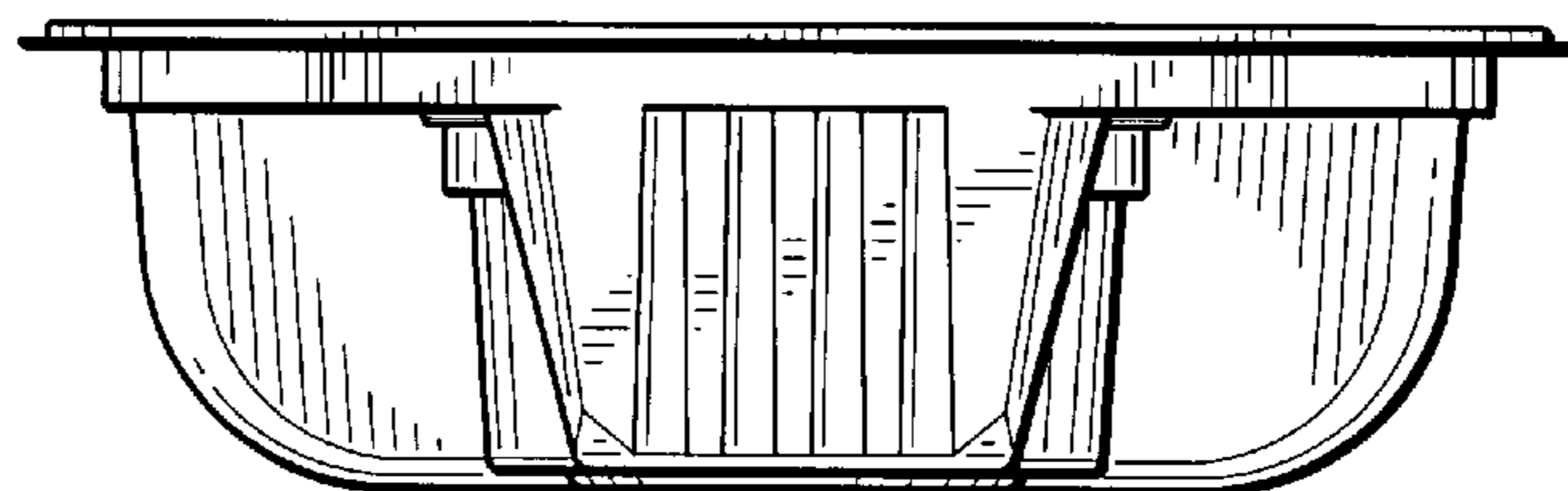


FIG. 5

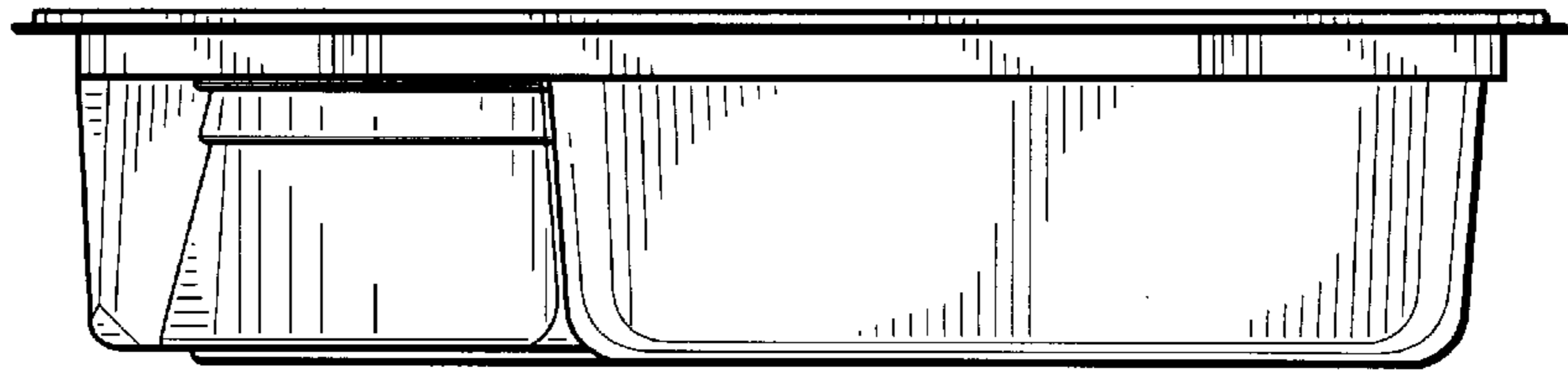


FIG. 6

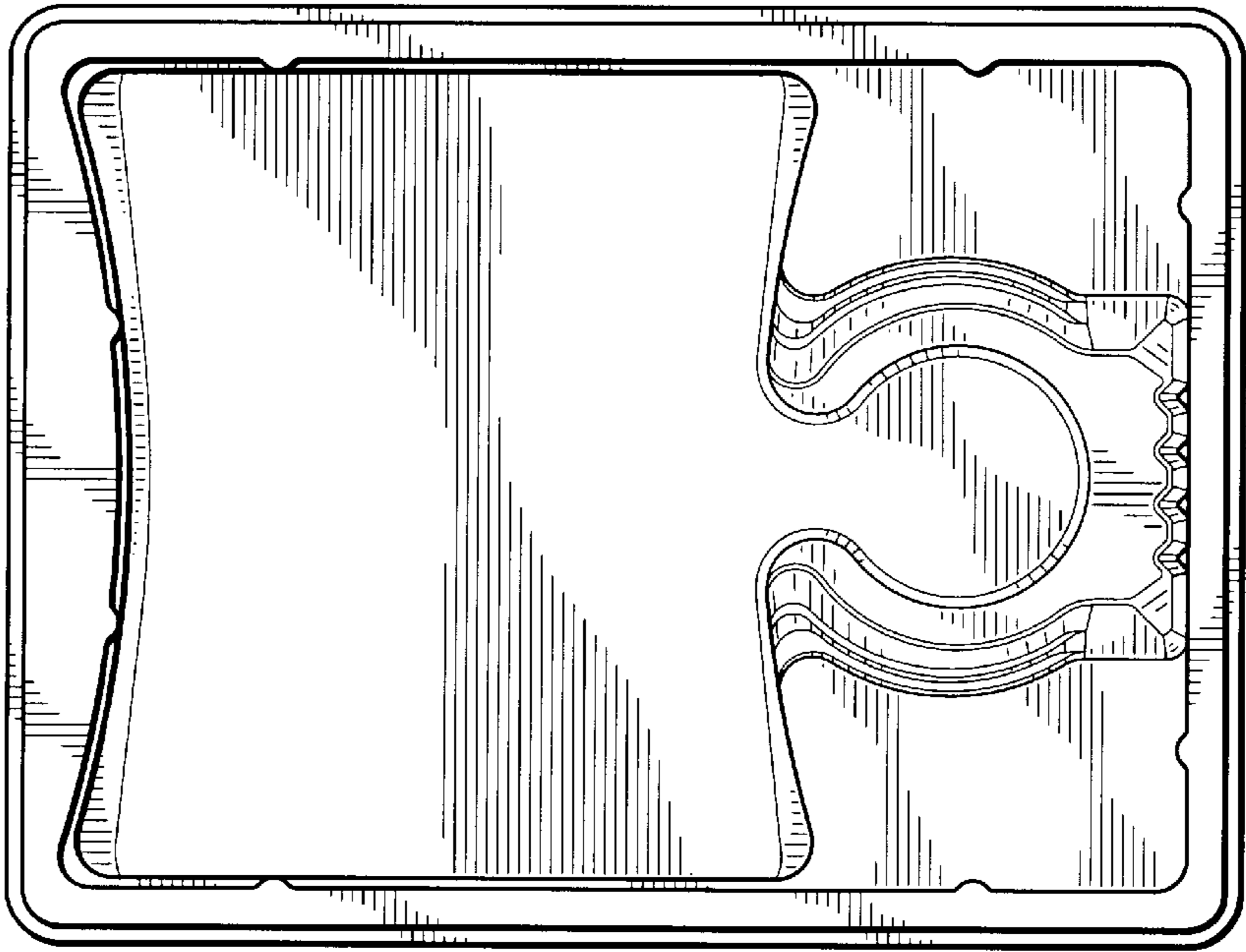


FIG. 7

