



US00D421364S

United States Patent [19]

Kristiansen et al.

[11] Patent Number: **Des. 421,364**

[45] Date of Patent: **** Mar. 7, 2000**

[54] MUG

[75] Inventors: **Keith Kristiansen**, Stratford, Conn.;
Michael Ballone, New Providence,
N.J.; **Gary Grossman**, Riverside, Conn.

[73] Assignee: **The Thermos Company**, Batesville,
Miss.

[**] Term: **14 Years**

[21] Appl. No.: **29/106,462**

[22] Filed: **Jun. 14, 1999**

[51] LOC (6) Cl. **07-01**

[52] U.S. Cl. **D7/531; D7/523**

[58] Field of Search D7/523, 509, 531,
D7/532, 619, 624, 309; 229/404, 400, 515;
206/517, 519, 520; 215/229; 220/715, 713,
737, 630

[56] References Cited

U.S. PATENT DOCUMENTS

D. 118,725 1/1940 Myers D7/531

D. 163,148 5/1951 Sterrett D7/531
D. 213,094 1/1969 Davis D7/531
D. 229,006 11/1973 Sauey et al. D7/531
D. 241,801 10/1976 Colato D7/531
D. 311,330 10/1990 Hamamura D7/619 X
D. 322,224 12/1991 Miner D7/511
D. 409,446 5/1999 St. John et al. D7/536

Primary Examiner—M. N. Pandozzi

Attorney, Agent, or Firm—Wood, Phillips, VanSanten, Clark
& Moritmer

[57] CLAIM

The ornamental design of a mug, as shown and described.

DESCRIPTION

FIG. 1 is an elevation of our mug design as seen from any
angle about its periphery;

FIG. 2 is a top view of our mug design; and,

FIG. 3 is a bottom view of our mug design.

1 Claim, 2 Drawing Sheets

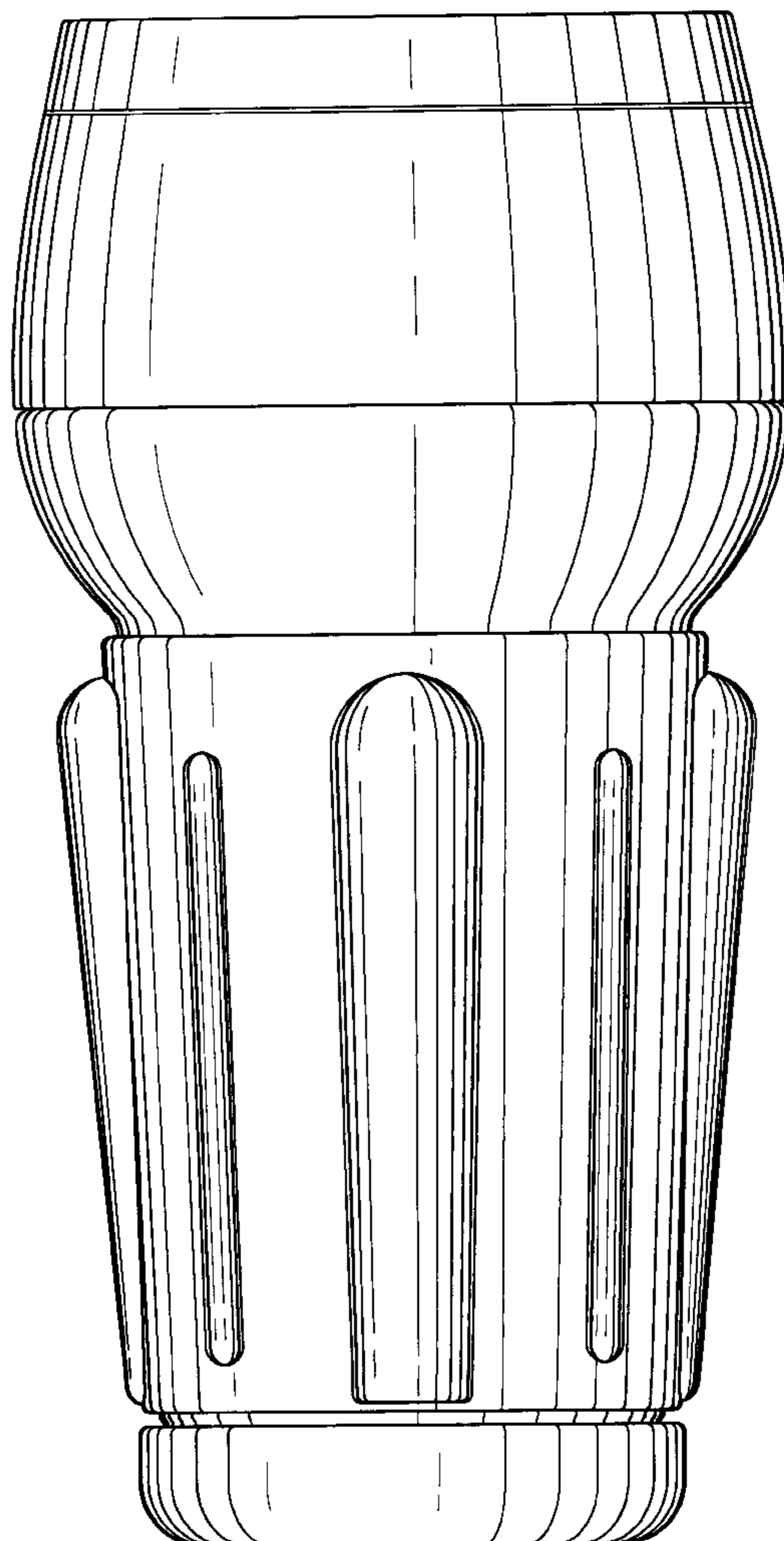


FIG 1

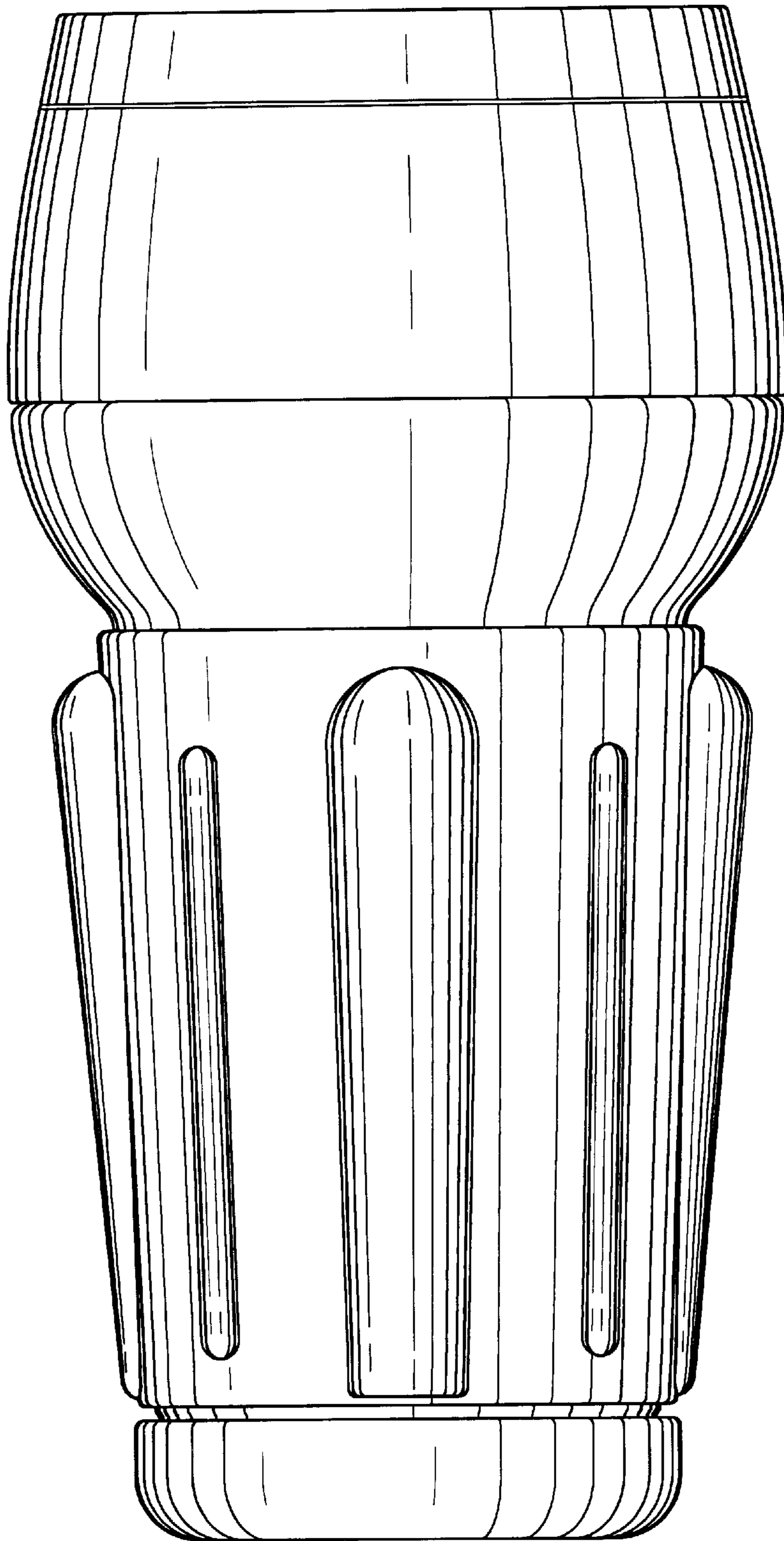


FIG. 2

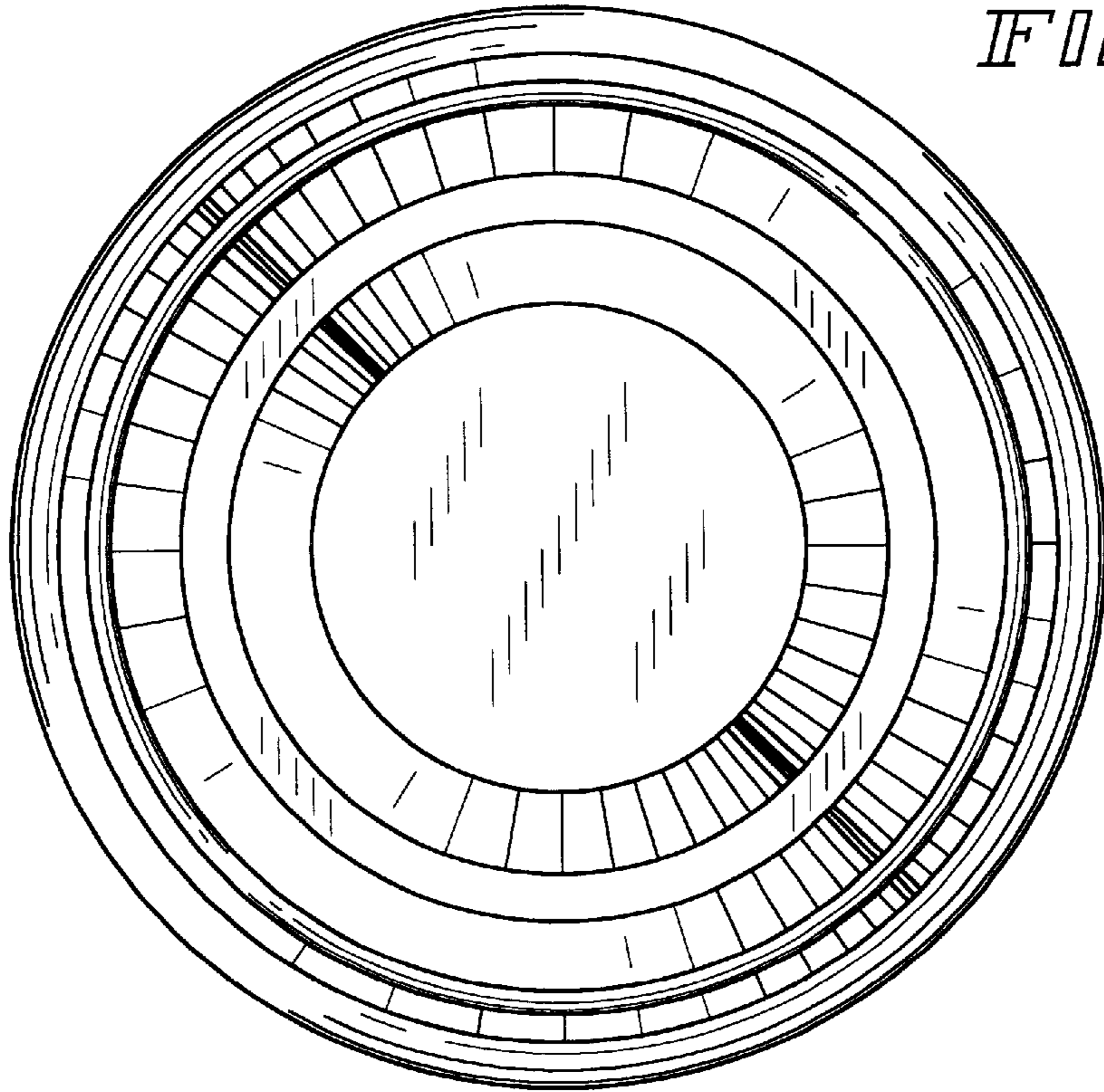


FIG. 3

