



US00D421363S

# United States Patent [19]

[11] Patent Number: Des. 421,363

Crescenzi et al.

[45] Date of Patent: \*\* Mar. 7, 2000

[54] CONTINUOUS FEED FOOD PROCESSOR

2,924,349 2/1960 Huck ..... 215/382  
5,852,968 12/1998 Sundquist ..... 99/492

[75] Inventors: Donald Crescenzi, Killingworth;  
Thomas Rockwell, Terryville; Guy  
Casalino, Weatogue; Frank  
Chiappetta, Woodbury; Paul Turnrose,  
Forestville, all of Conn.

Primary Examiner—Caron D. Veynar  
Attorney, Agent, or Firm—McCormick, Paulding & Huber  
LLP

[73] Assignee: Conair Corporation, Stamford, Conn.

### [57] CLAIM

[\*\*] Term: 14 Years

The ornamental design for the continuous feed food processor, as shown and described.

[21] Appl. No.: 29/081,481

### DESCRIPTION

[22] Filed: Jan. 5, 1998

FIG. 1 is a perspective view of the continuous feed food processor.

[51] LOC (6) Cl. .... 31-00

FIG. 2 is a perspective view of the continuous feed food processor.

[52] U.S. Cl. .... D7/384

FIG. 3 is a top view of the continuous feed food processor.  
FIG. 4 is a bottom view of the continuous feed food processor.

[58] Field of Search ..... D7/376-386; 215/382;  
366/52, 67, 98, 244, 279, 309, 314, 325.92,  
326, 330.1, 330.2, 342, 343, 601; 99/492,  
510, 337

FIG. 5 is a front view of the continuous feed food processor.  
FIG. 6 is a right hand side view of the continuous feed food processor.

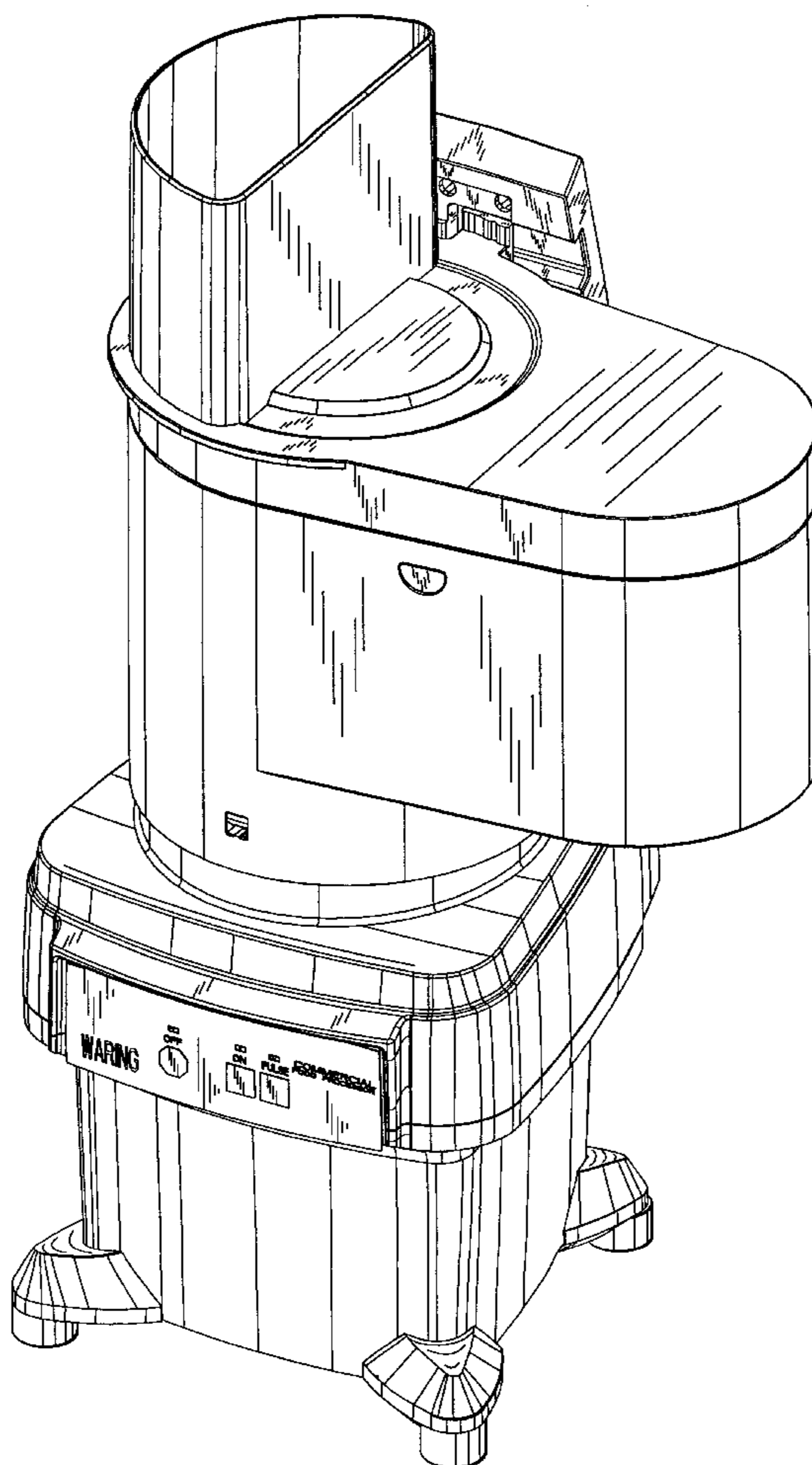
### [56] References Cited

#### U.S. PATENT DOCUMENTS

- D. 292,260 10/1987 Barrault ..... D7/384
- D. 301,824 6/1989 Machuron ..... D7/384
- D. 410,816 6/1999 Crescenzi et al. .... D7/384

FIG. 7 is a rear view of the continuous feed food processor;  
and,  
FIG. 8 is a left hand side view of the continuous feed food processor.

1 Claim, 7 Drawing Sheets



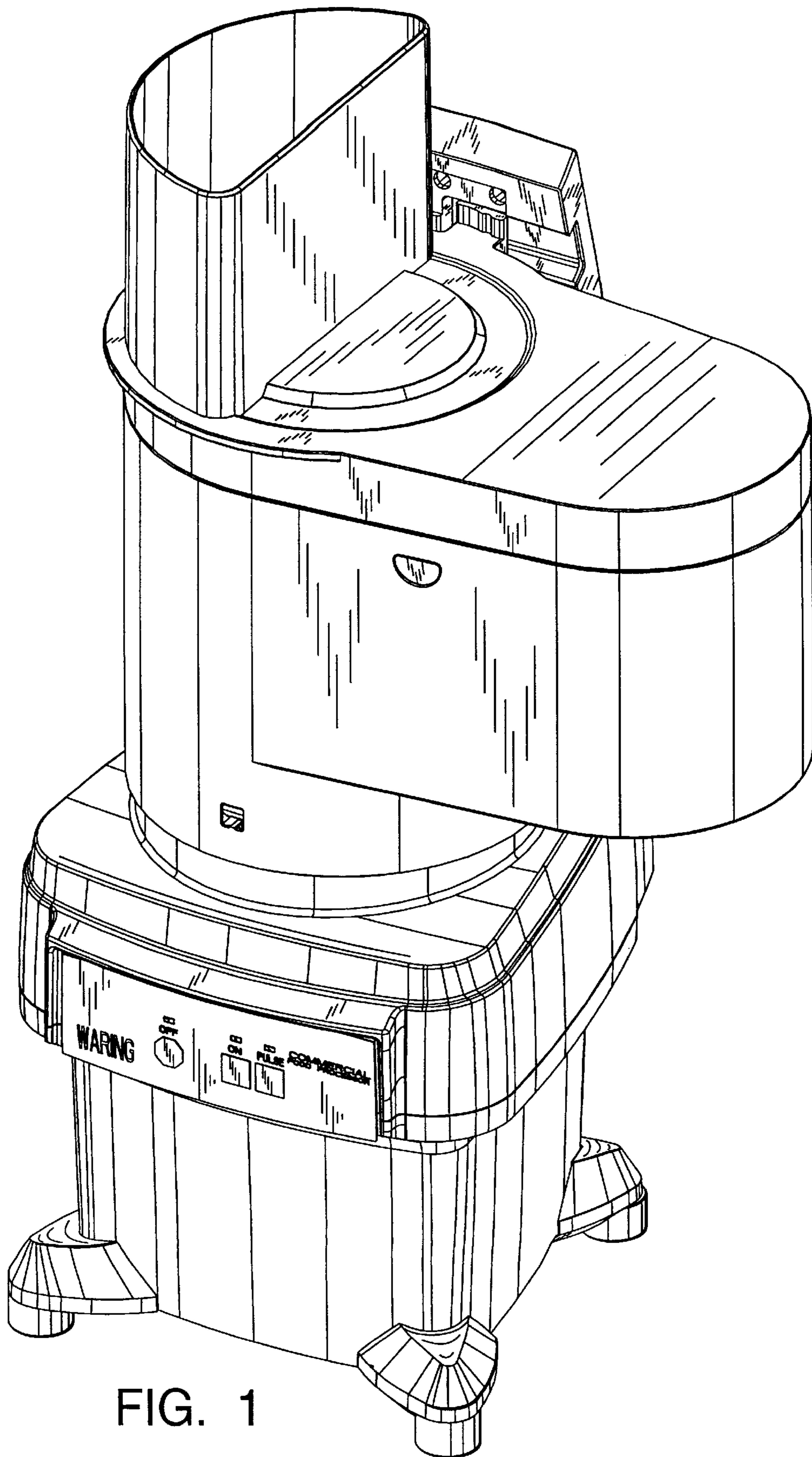


FIG. 1

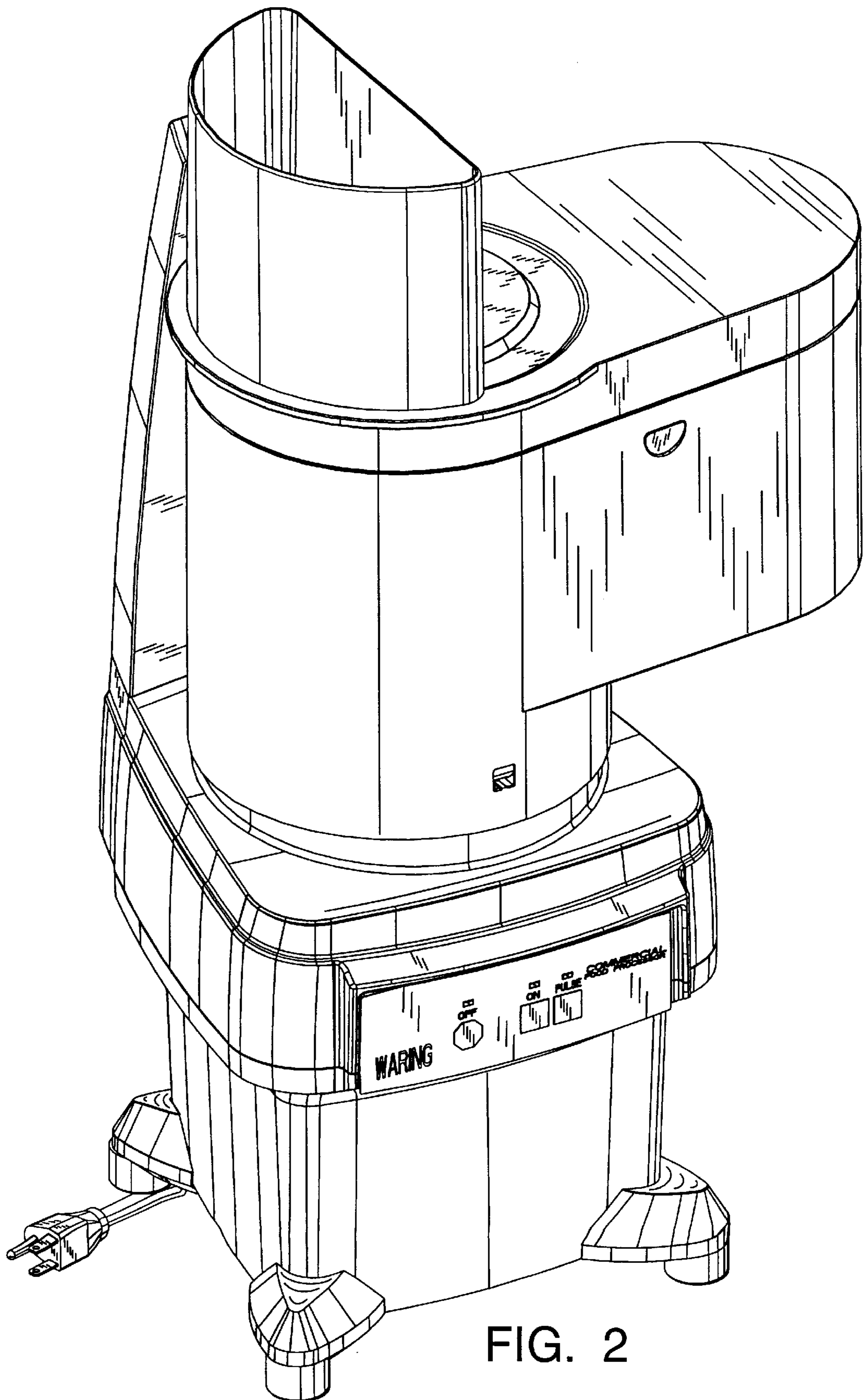


FIG. 2



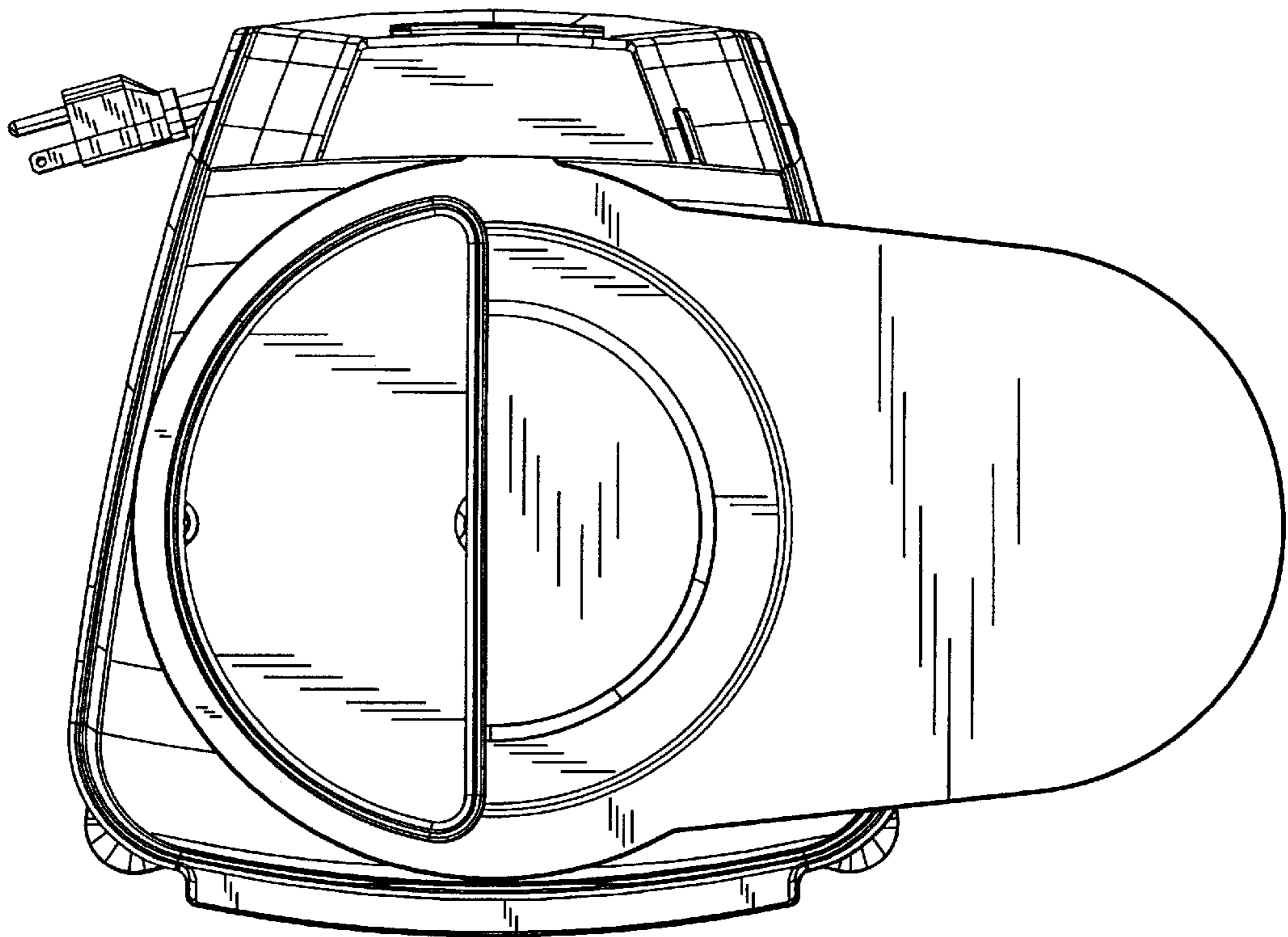


FIG. 3

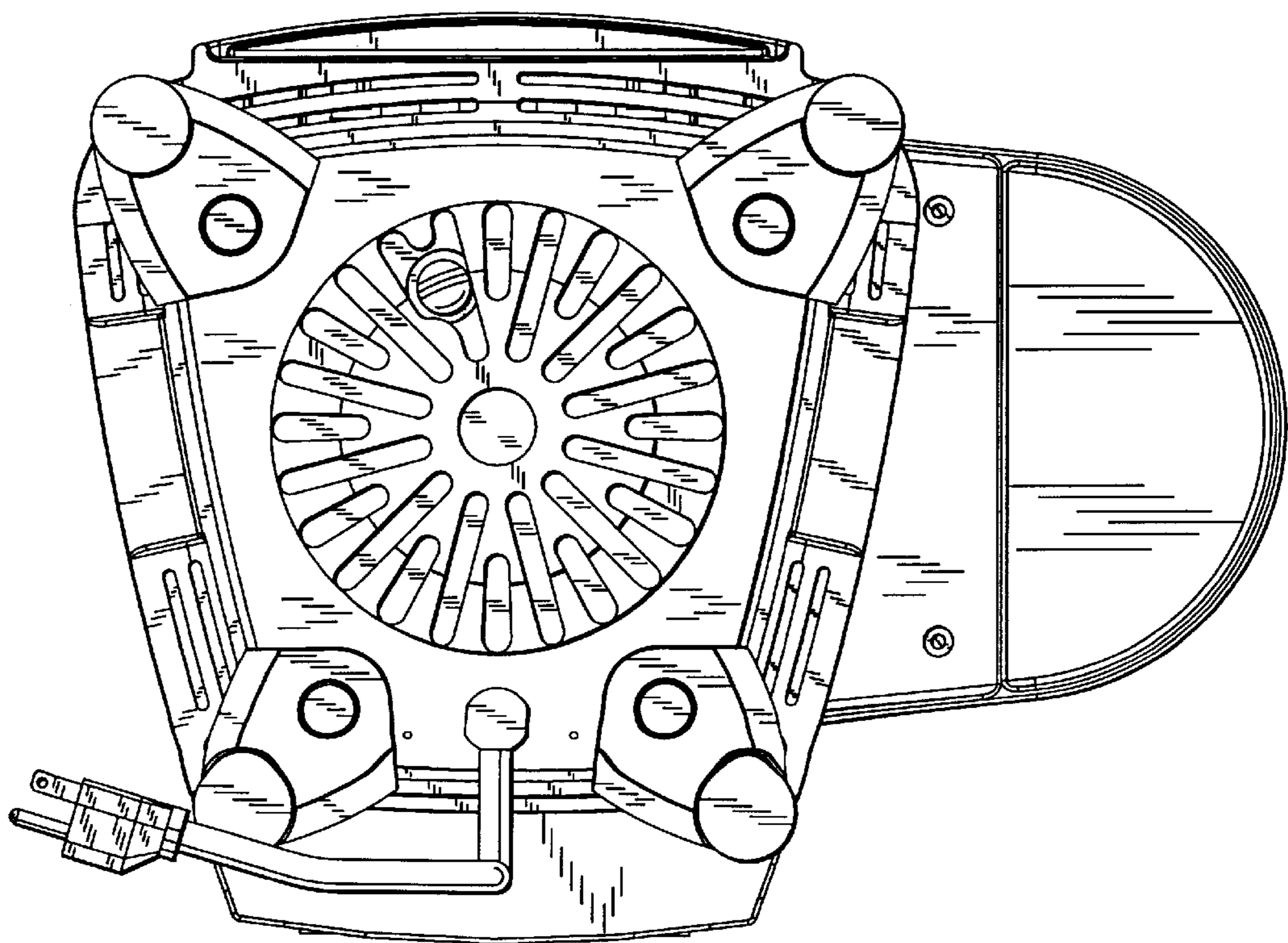
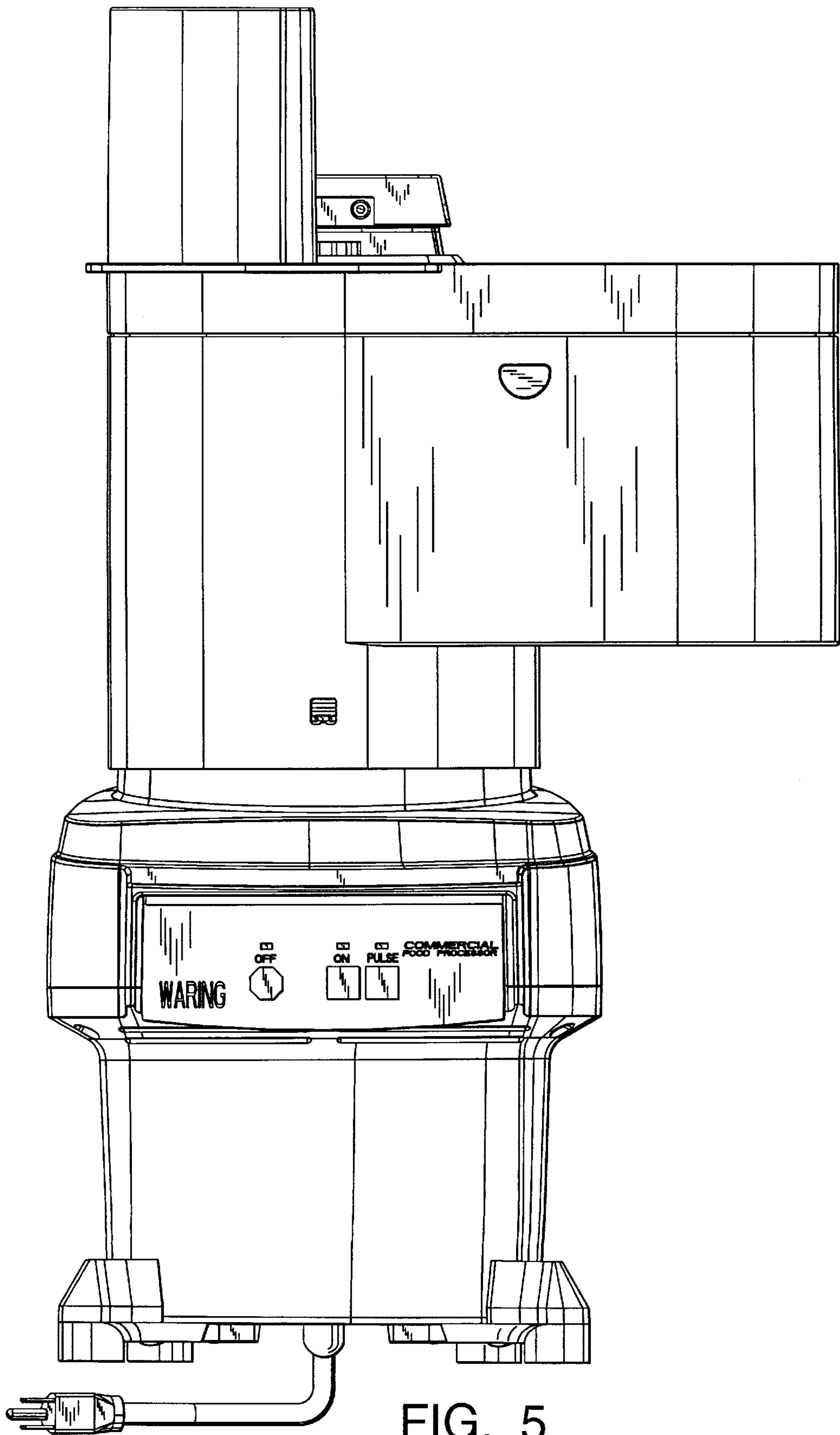


FIG. 4



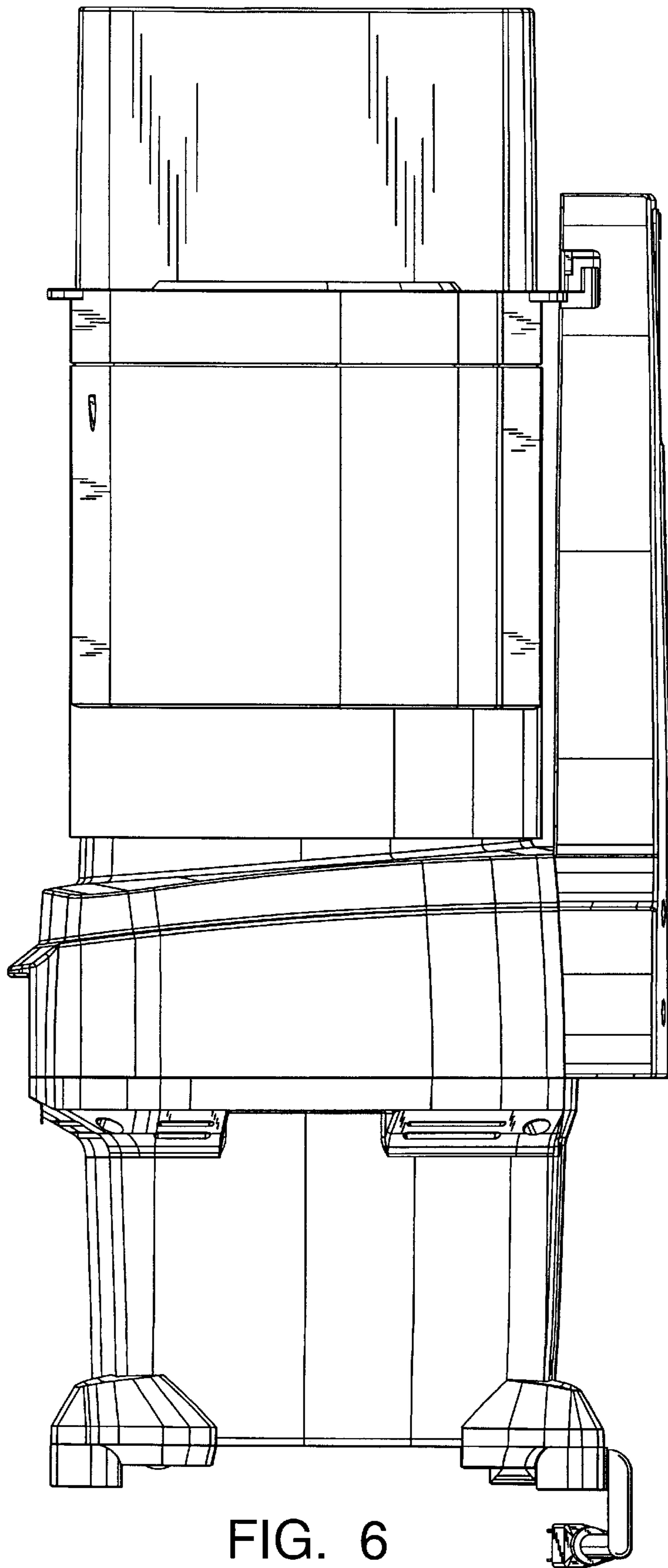


FIG. 6

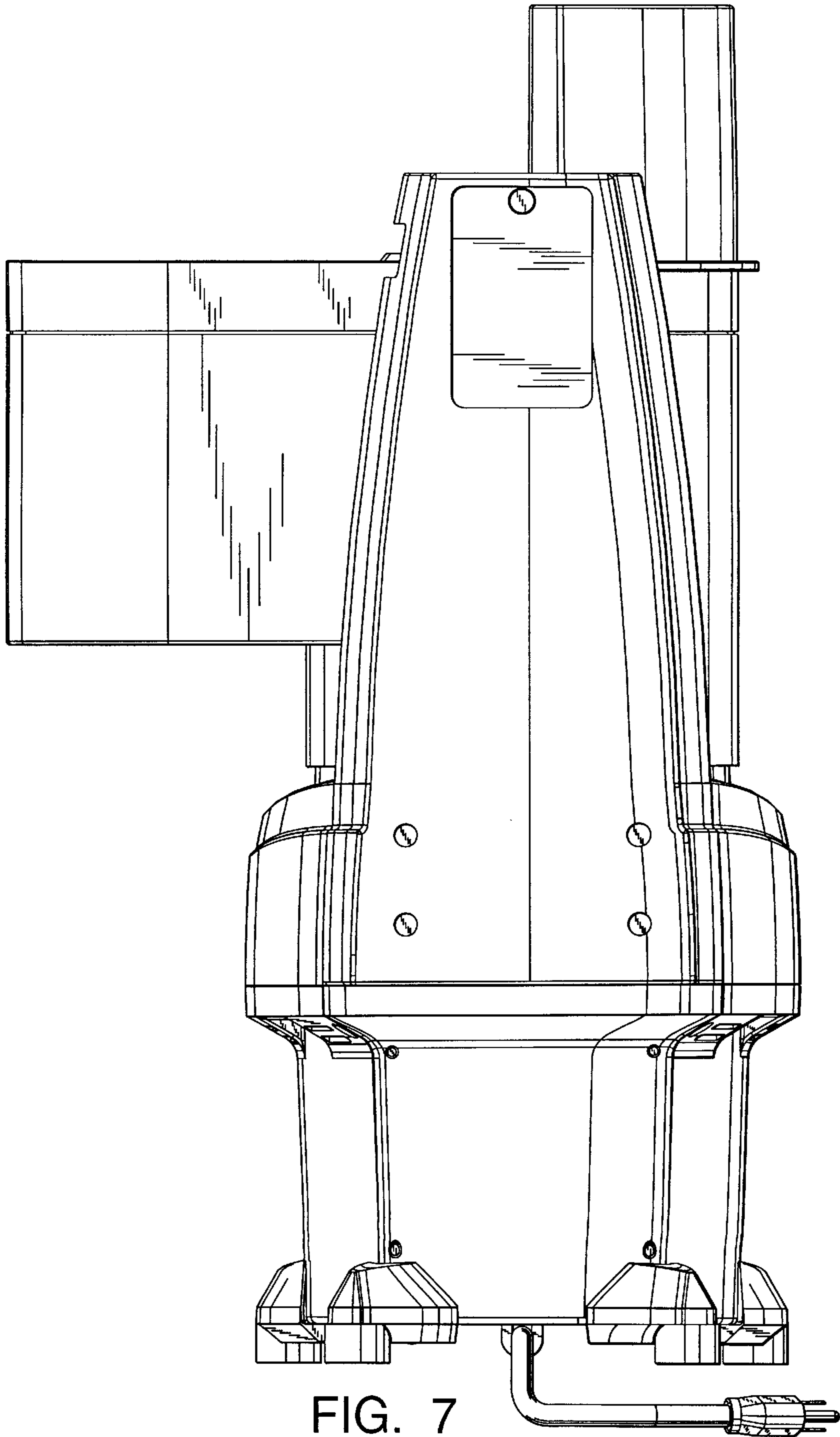


FIG. 7

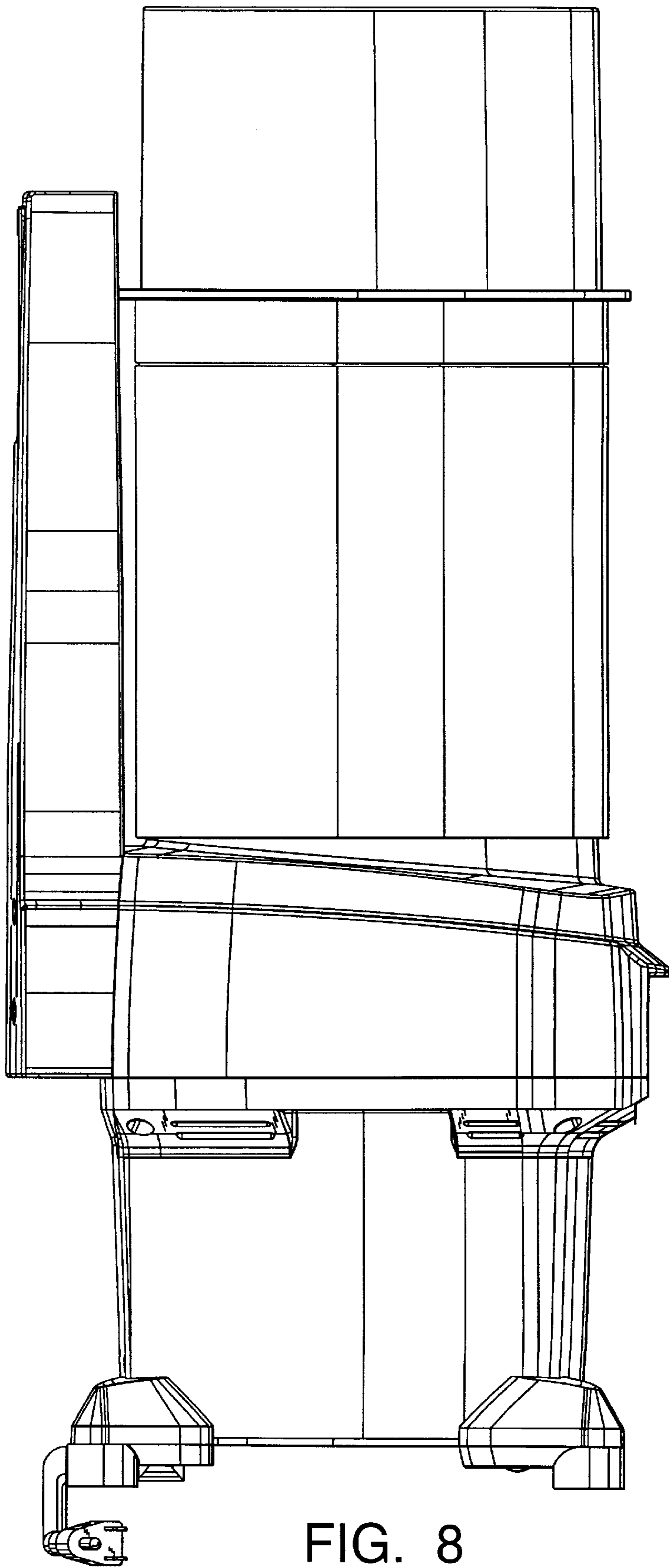


FIG. 8