



US00D421362S

United States Patent [19]

[11] **Patent Number: Des. 421,362**

Arcidiacono et al.

[45] **Date of Patent: ** Mar. 7, 2000**

[54] **PORTABLE BLENDER**

Primary Examiner—Caron D. Veynar
Attorney, Agent, or Firm—Frank D. Gilliam

[76] Inventors: **Augie Arcidiacono**, 8838 La Jolla Scenic Dr., San Diego, Calif. 92037;
Matthew John Kalla, 4148 Voltaire St., San Diego, Calif. 92107

[57] **CLAIM**

The ornamental design for a portable blender, as shown and described.

[**] Term: **14 Years**

DESCRIPTION

[21] Appl. No.: **29/104,690**

FIG. 1 is a perspective view of the portable blender;
FIG. 2 is a front elevation view of the portable blender;
FIG. 3 is a view of one side of the portable blender;
FIG. 4 is a view of the rear of the portable blender;
FIG. 5 is a view of the other side of the portable blender opposite from FIG. 3;
FIG. 6 is a bottom view of the portable blender; and,
FIG. 7 is a top view of the portable blender.

[22] Filed: **May 10, 1999**

[51] **LOC (6) Cl.** **31-00**

[52] **U.S. Cl.** **D7/378**

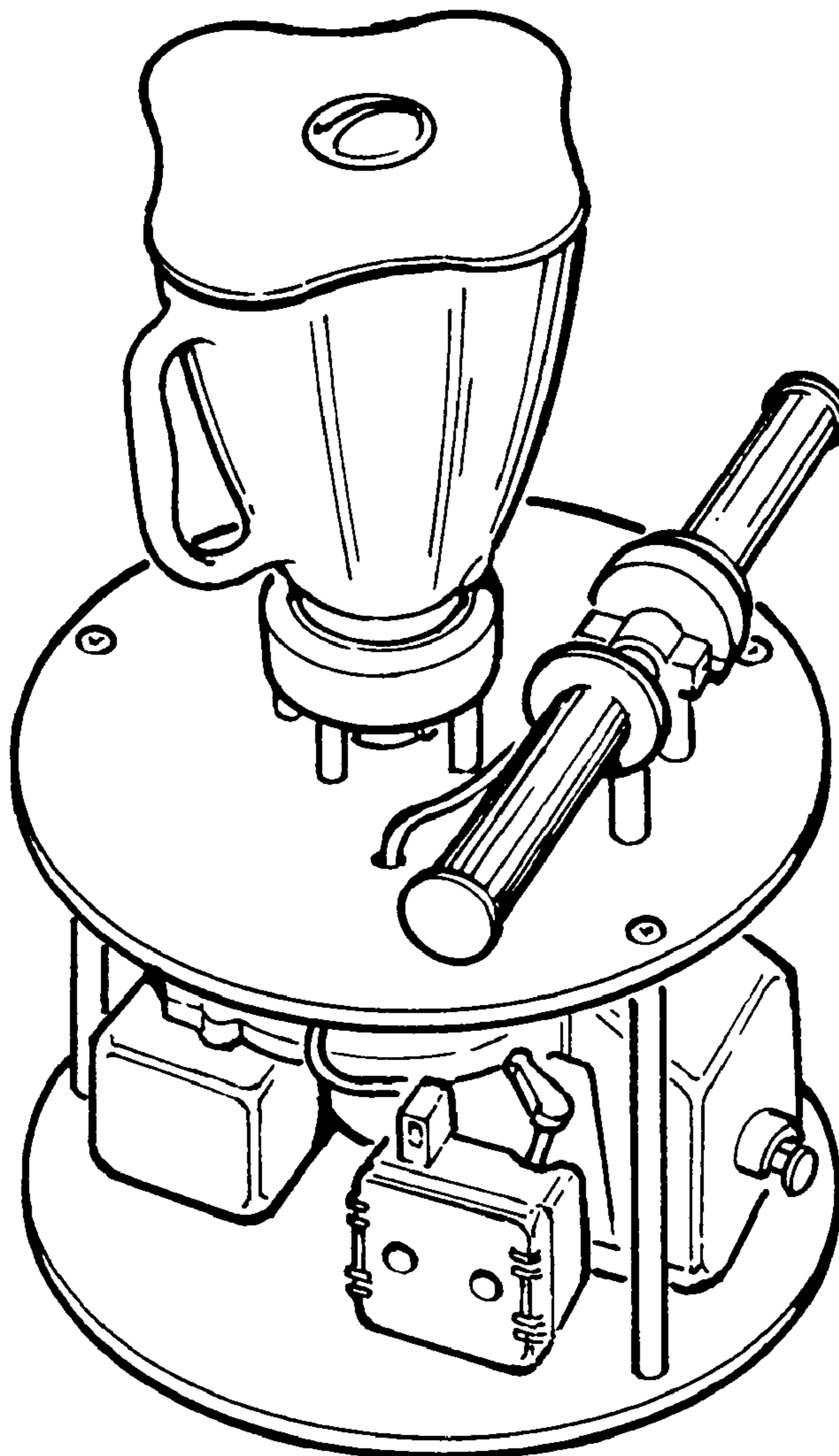
[58] **Field of Search** D7/376, 378, 386,
D7/412, 413; 366/129, 197, 205; D13/101,
112, 114, 116, 118, 122

[56] **References Cited**

U.S. PATENT DOCUMENTS

D. 400,048 10/1998 Ollson D7/378

1 Claim, 2 Drawing Sheets



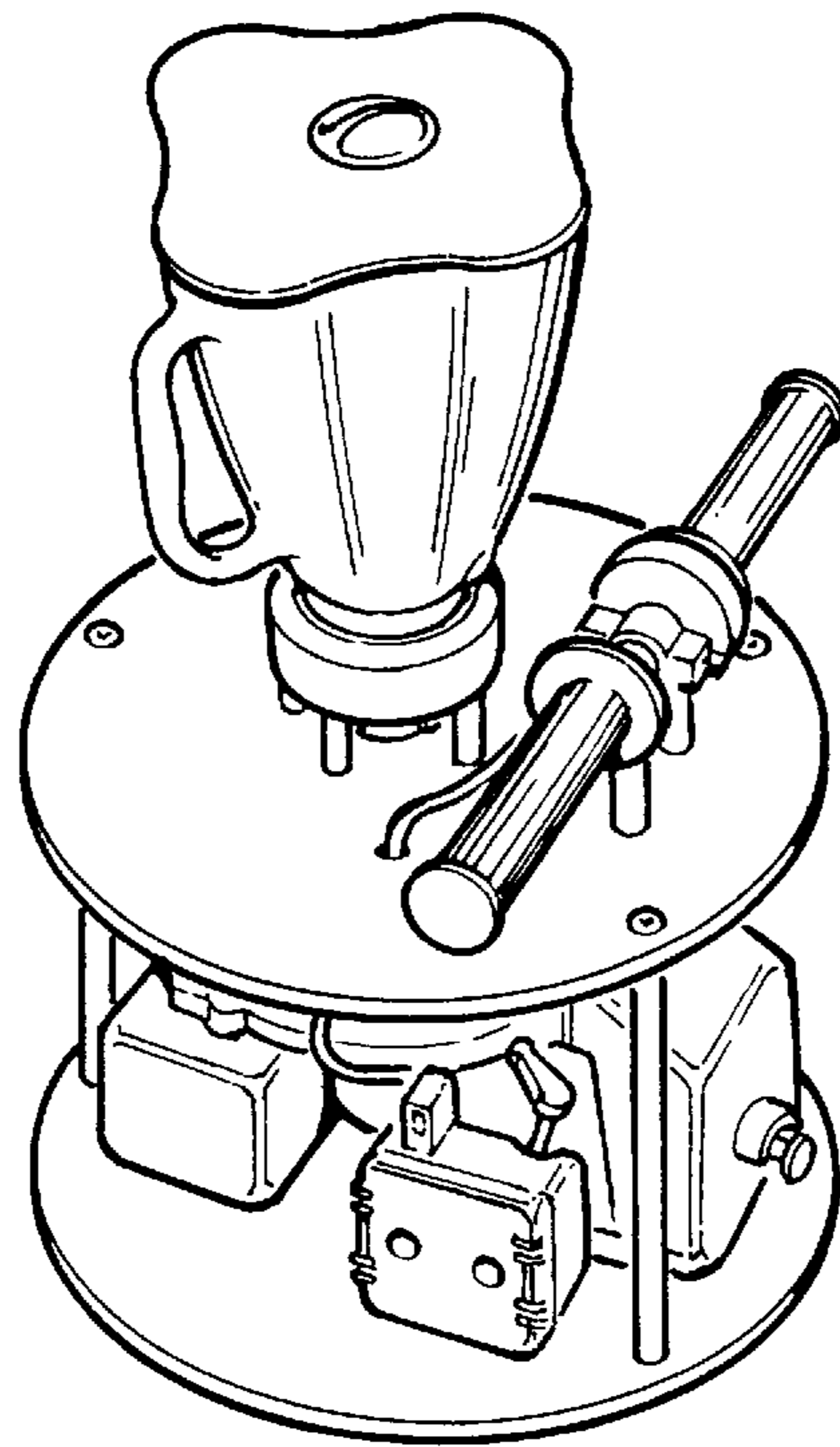


FIGURE 1

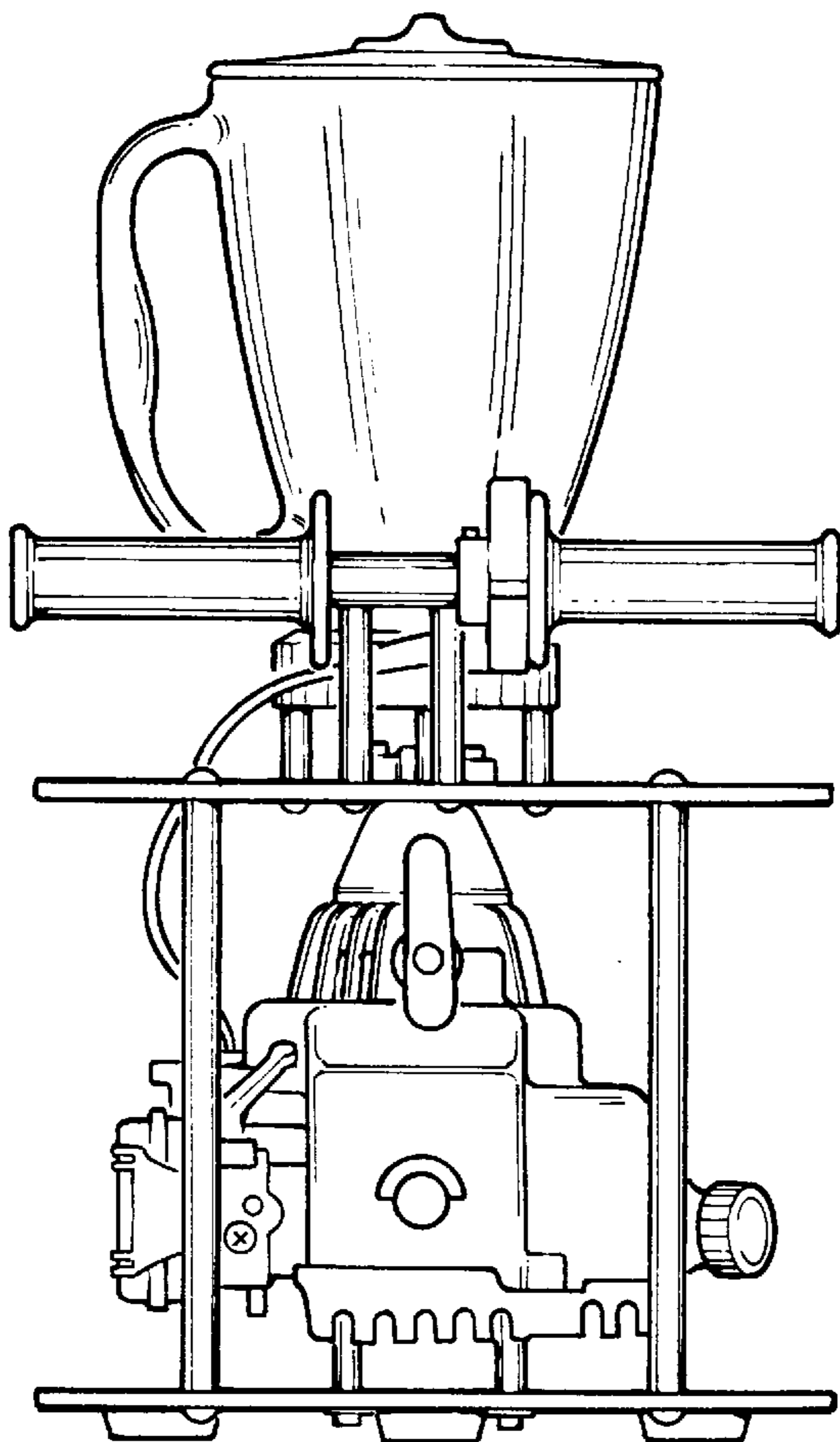


FIGURE 2

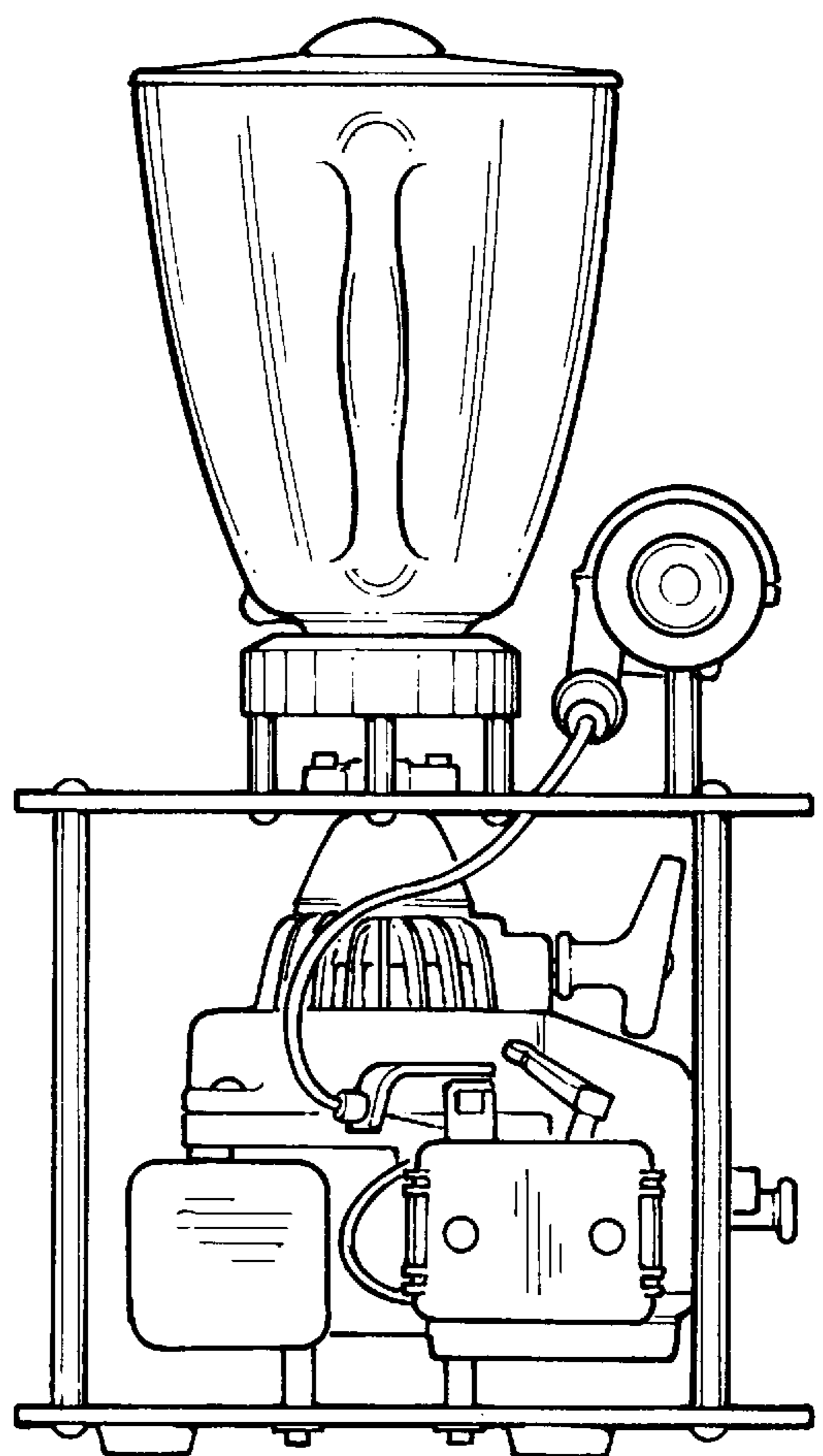


FIGURE 3

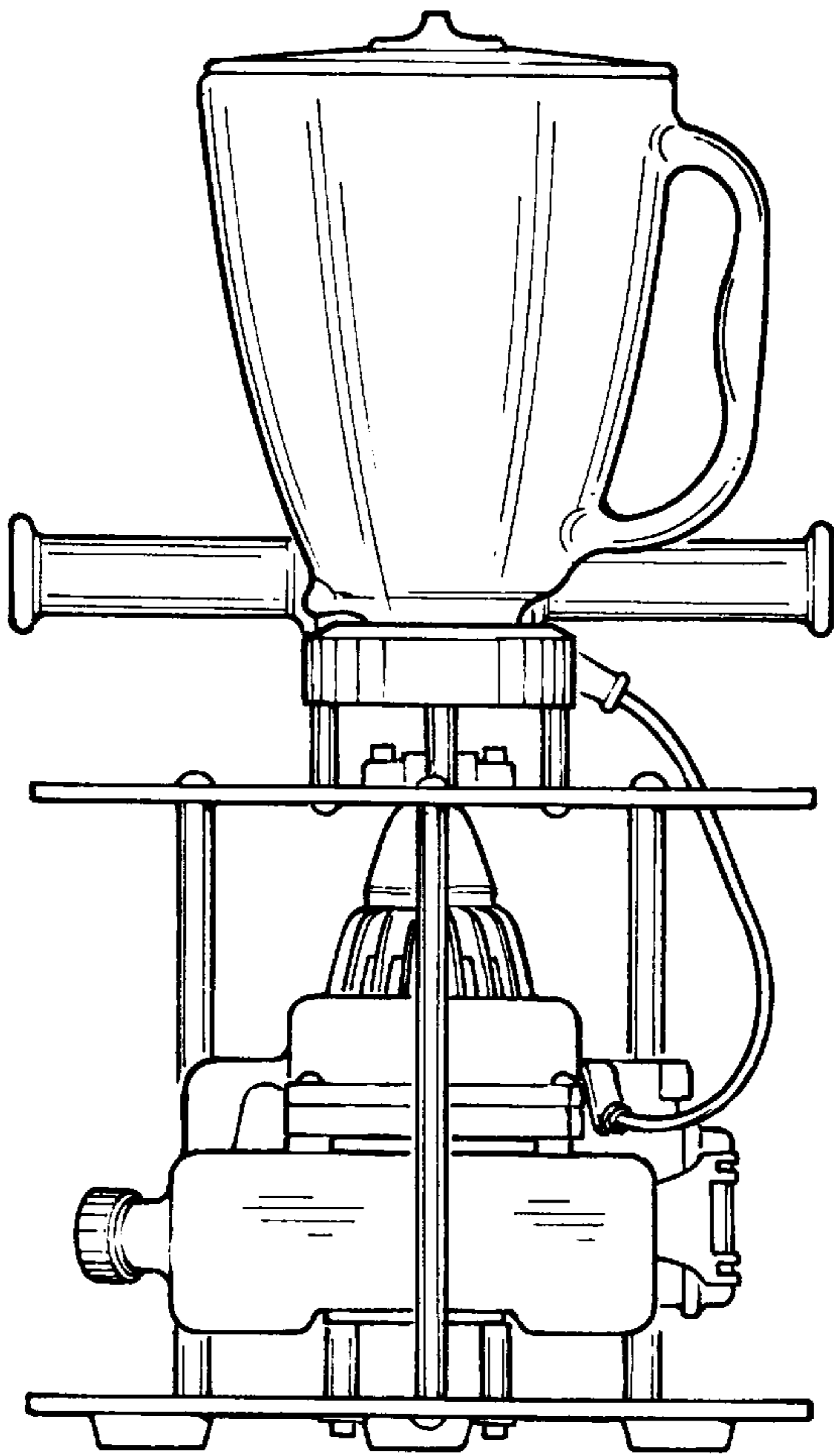


FIGURE 4

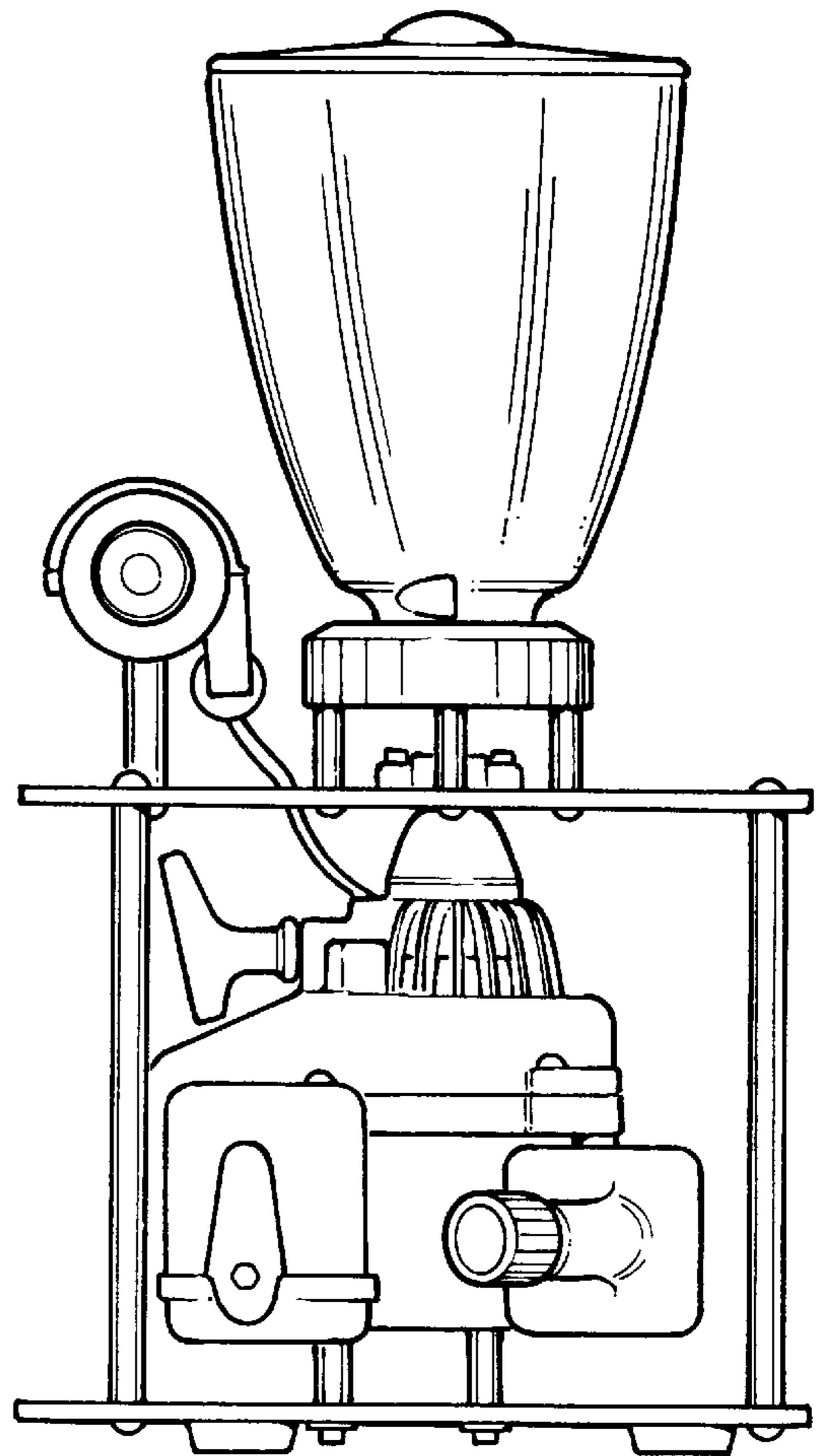


FIGURE 5

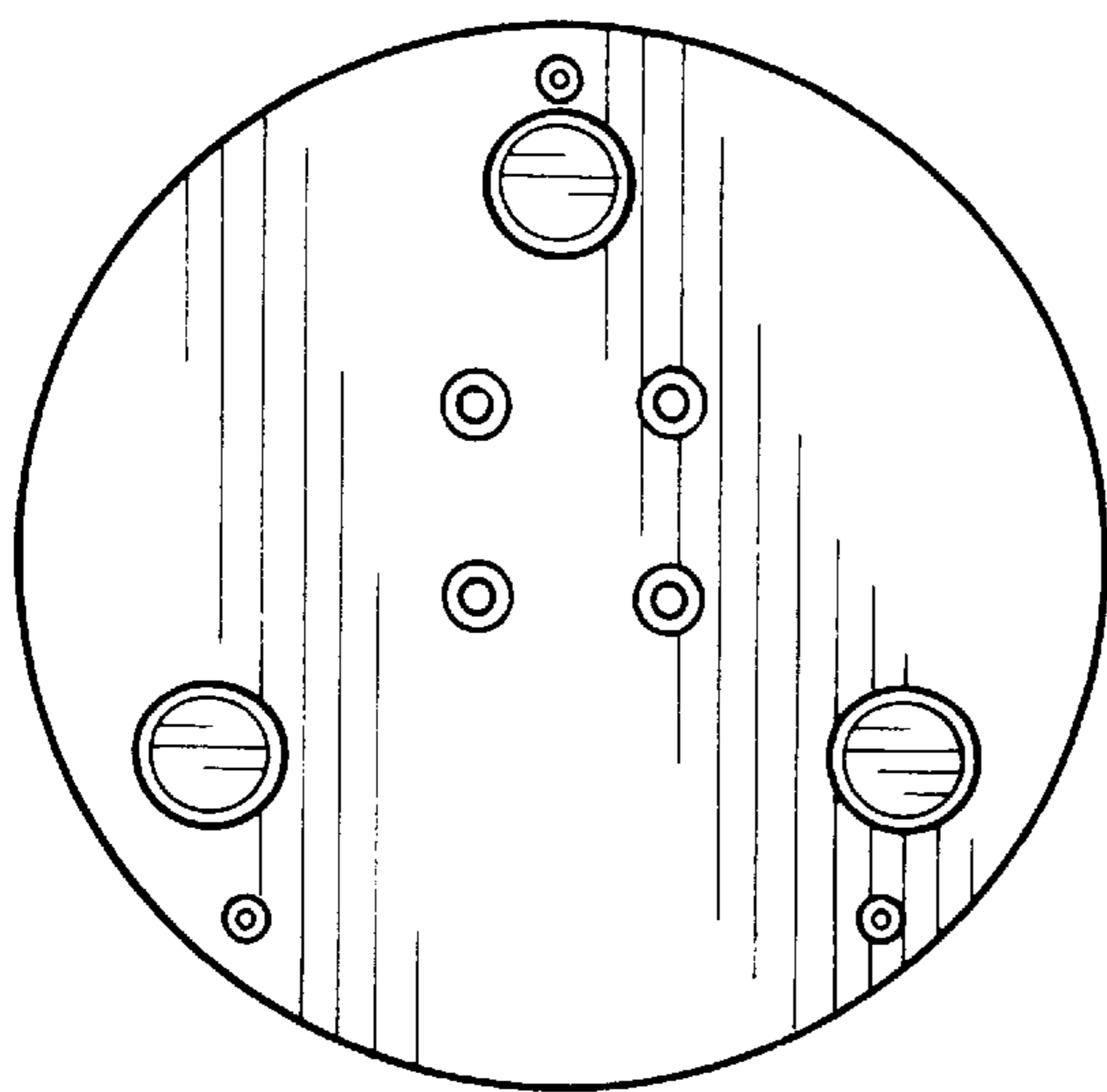


FIGURE 6

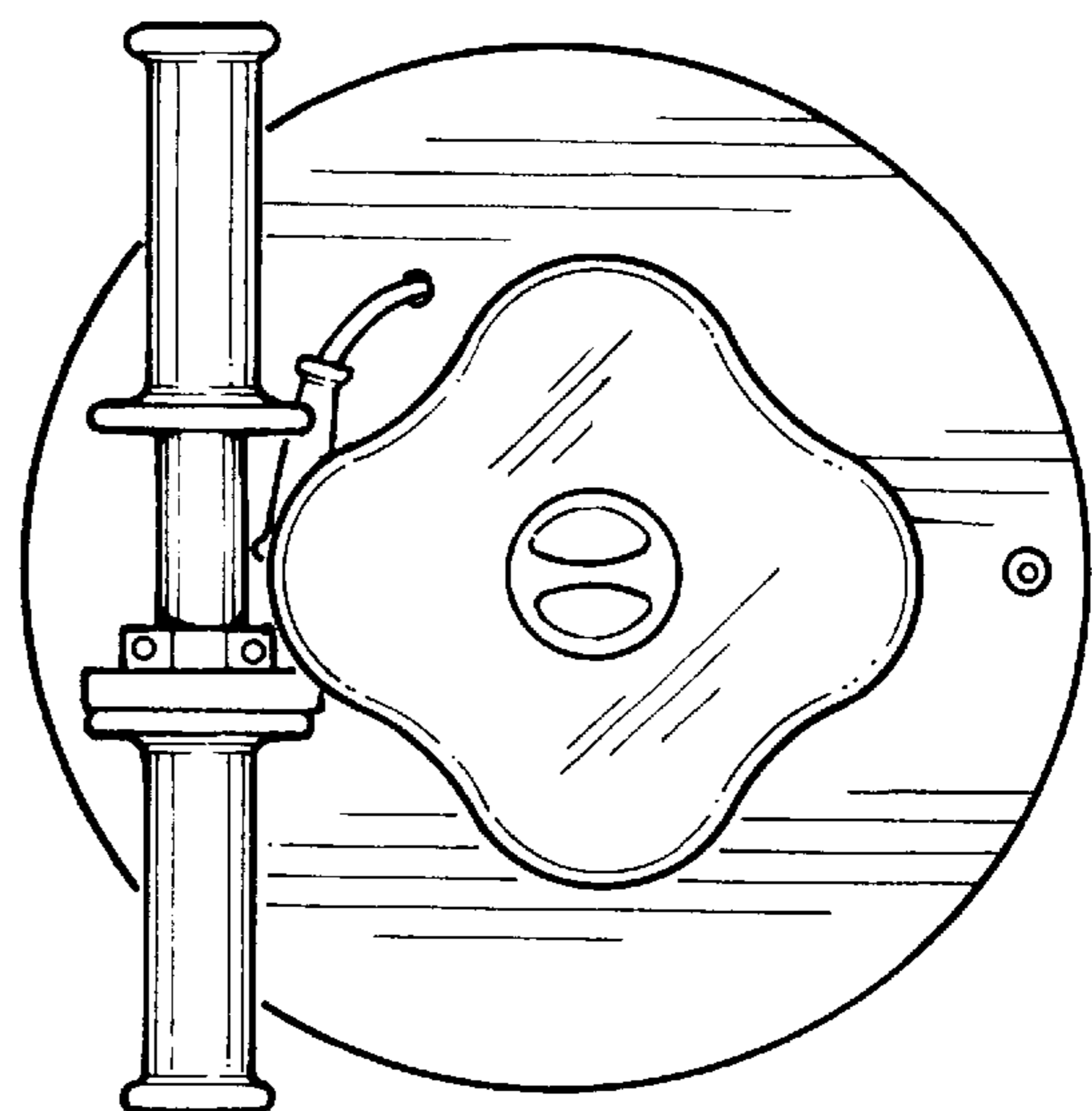


FIGURE 7