



US00D421358S

**United States Patent** [19]  
**Henson**

[11] **Patent Number: Des. 421,358**  
[45] **Date of Patent: \*\* Mar. 7, 2000**

[54] **MATTRESS PAD**

[76] Inventor: **David W. Henson**, 711 Hillshire Pl.,  
Tupelo, Miss. 38801

[\*\*] Term: **14 Years**

[21] Appl. No.: **29/038,709**

[22] Filed: **May 9, 1995**

[51] **LOC (6) Cl. .... 06-09**

[52] **U.S. Cl. .... D6/596; D6/595**

[58] **Field of Search .... D6/595, 596, 601;**  
**5/901, 481, 900.5**

[56] **References Cited**

**U.S. PATENT DOCUMENTS**

D. 339,018	9/1993	Main	.....	D6/596
D. 339,019	9/1993	Main	.....	5/901
3,222,697	12/1965	Scheer	.....	5/481
5,134,735	8/1992	Rose	.....	5/901
5,317,768	6/1994	Klancnik	.....	5/901

**FOREIGN PATENT DOCUMENTS**

2225229	5/1990	United Kingdom	.....	5/901
---------	--------	----------------	-------	-------

*Primary Examiner*—Lisa Lichtenstein  
*Attorney, Agent, or Firm*—Kirschstein et al.

[57] **CLAIM**

The ornamental design for a mattress pad, as shown and described.

**DESCRIPTION**

FIG. 1 is a top plan view of a mattress pad showing my new design;

FIG. 2 is a side elevational view thereof, the opposite side being a mirror image;

FIG. 3 is an end elevational view thereof, the opposite end being a mirror image;

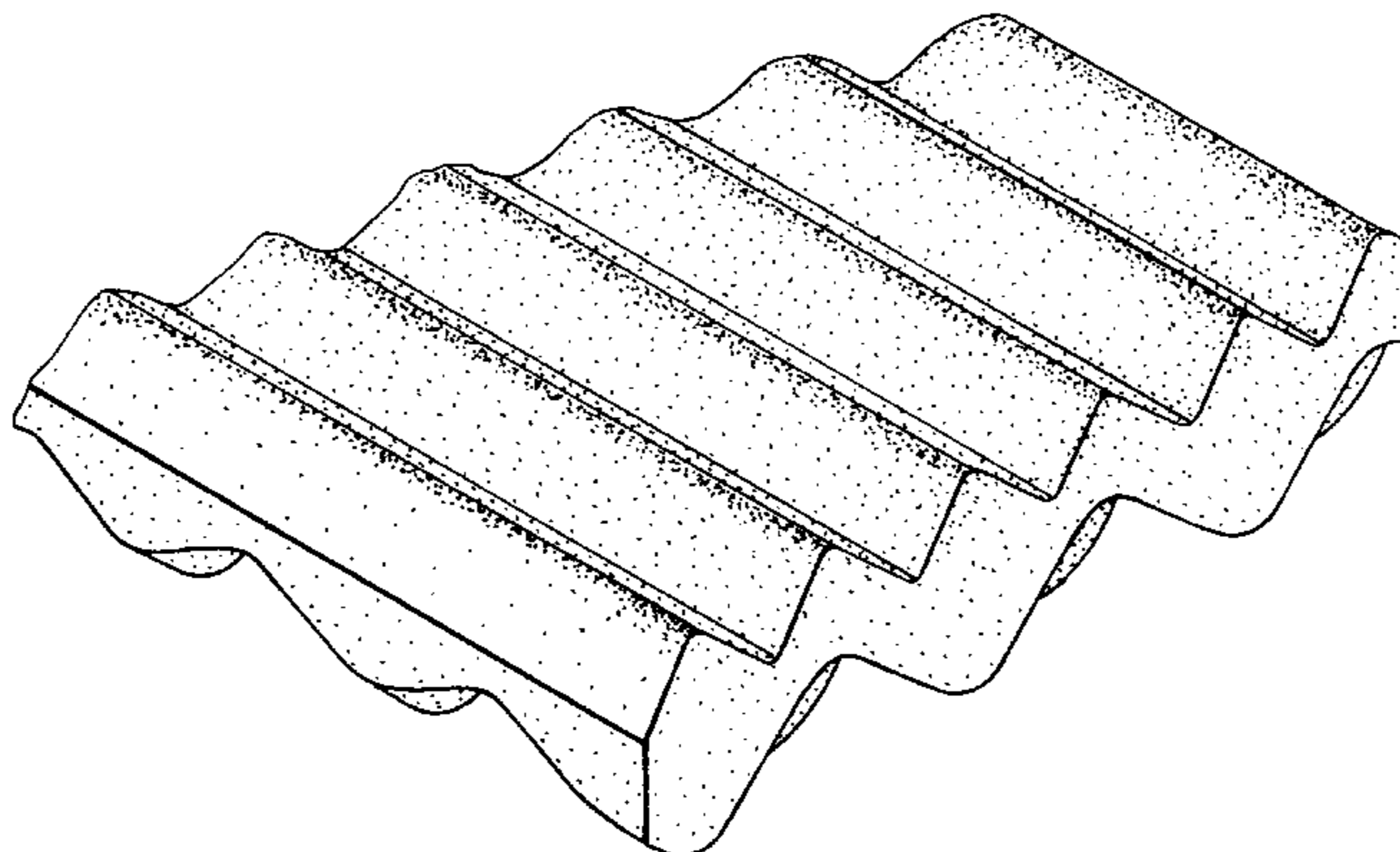
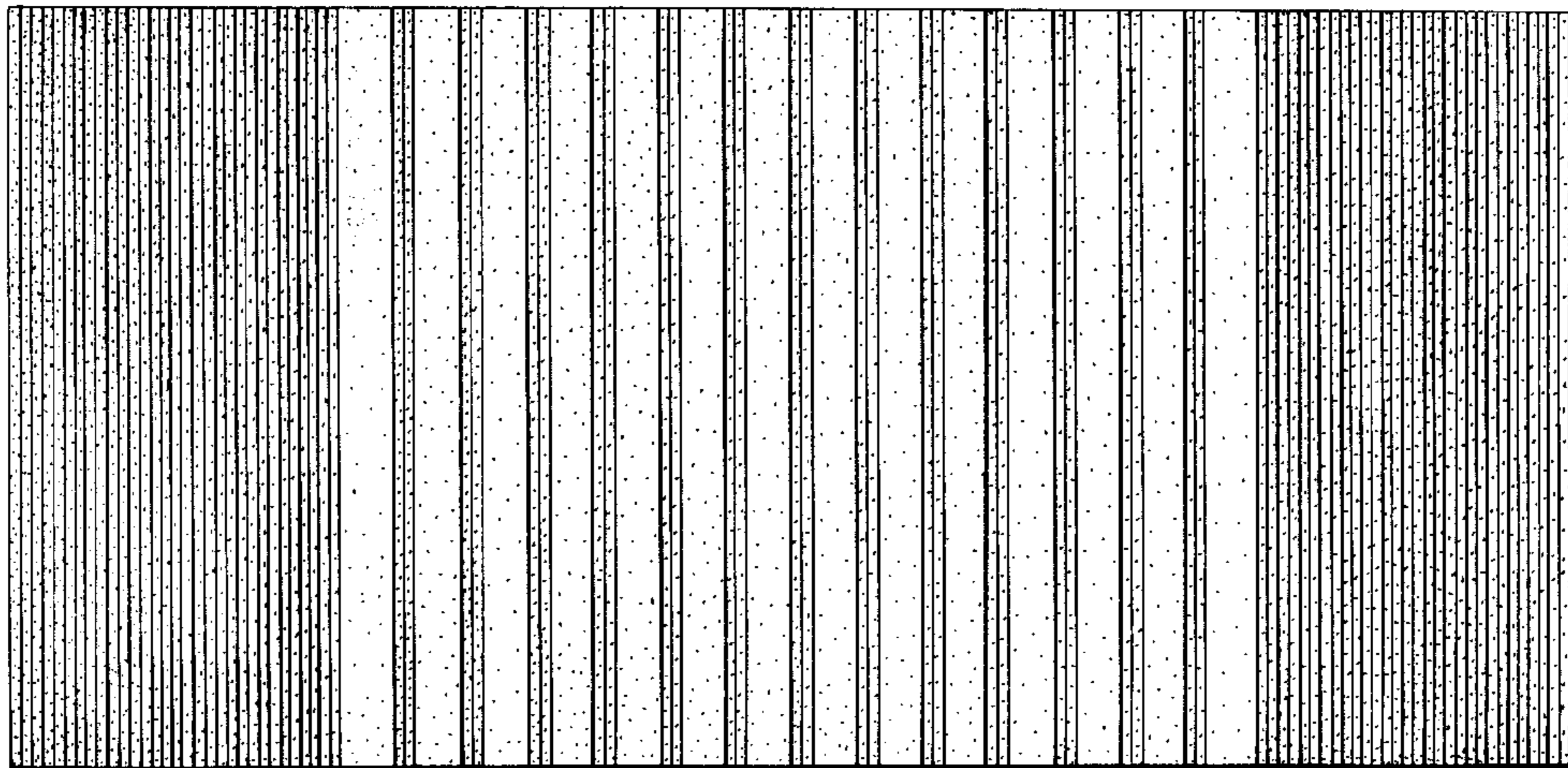
FIG. 4 is a bottom plan view thereof;

FIG. 5 is an enlarged top, end and side perspective view of a corner thereof; and,

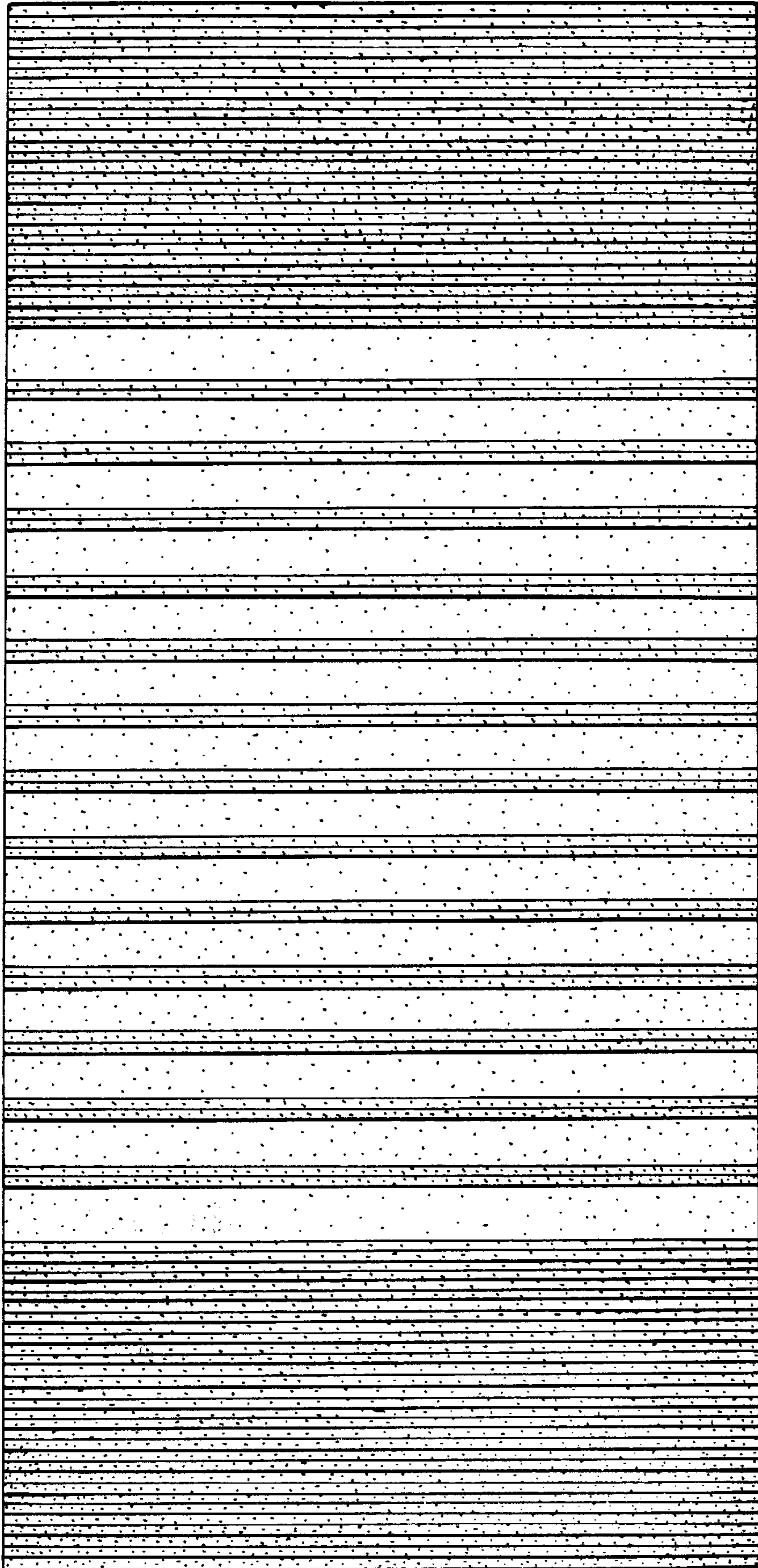
FIG. 6 is an enlarged bottom, end and side perspective view of a corner thereof.

The convoluted pattern has been fragmentarily shown in FIG. 4 for ease of illustration and is understood to extend throughout the bottom surface.

**1 Claim, 3 Drawing Sheets**



*FIG. 1*



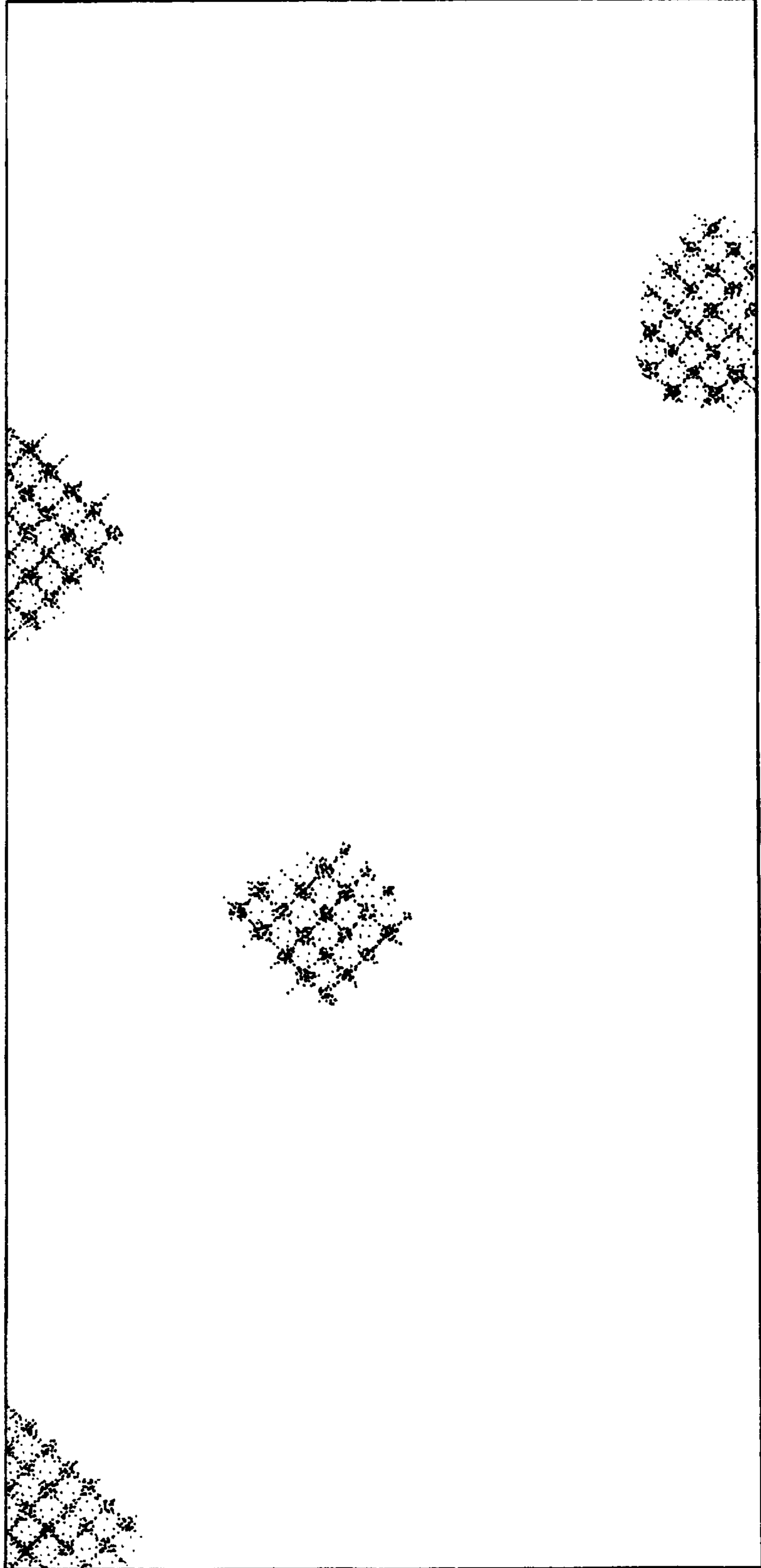
*FIG. 2*



FIG. 3

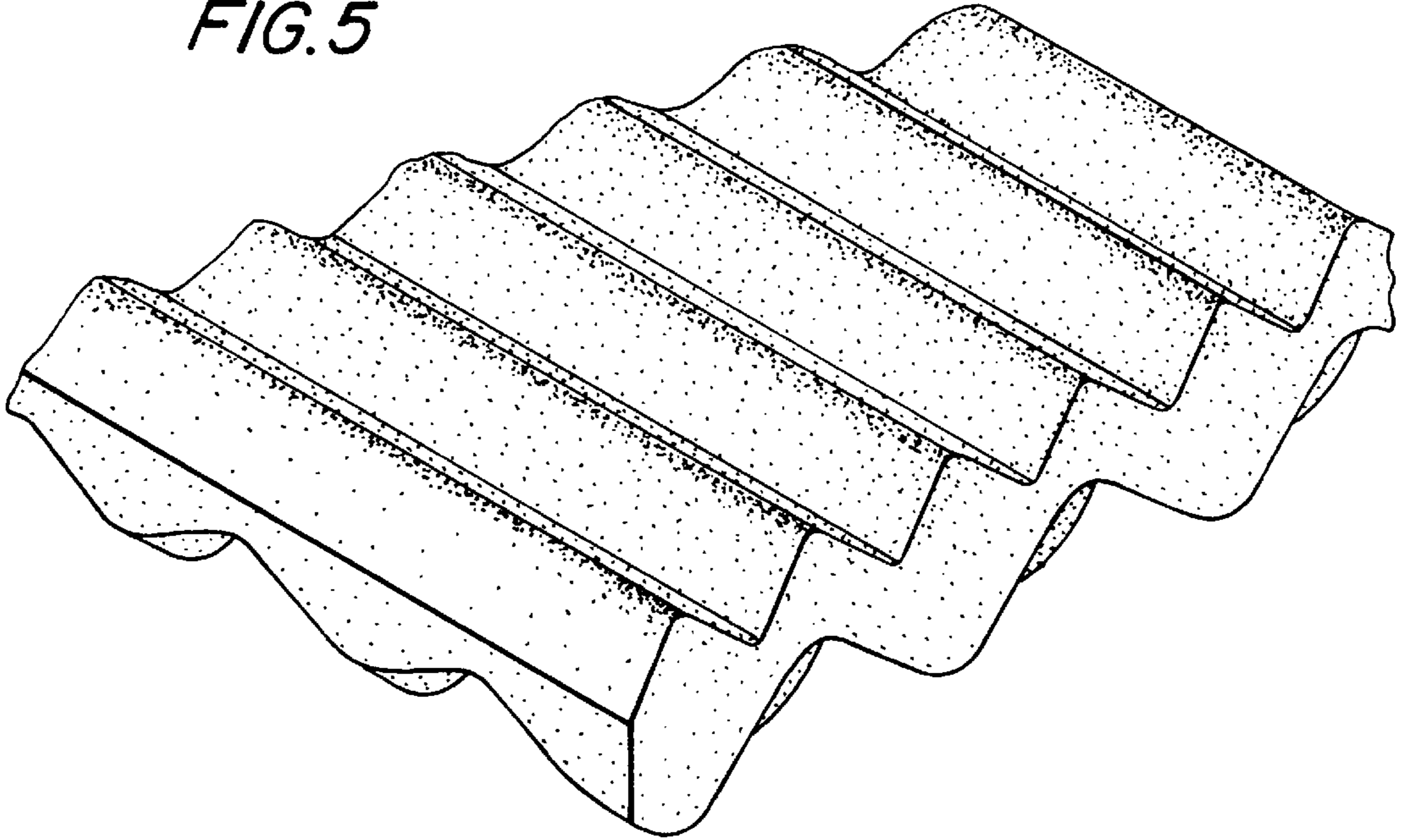


FIG. 4





*FIG. 5*



*FIG. 6*

