



US00D421356S

**United States Patent** [19]  
**Wolff**

[11] **Patent Number: Des. 421,356**  
[45] **Date of Patent: \*\* Mar. 7, 2000**

[54] **CUP DISPENSER**

4,226,329 10/1980 Knight ..... 211/39.1 X

[75] Inventor: **Stephen H. Wolff**, New York, N.Y.

*Primary Examiner*—Brian N. Vinson  
*Attorney, Agent, or Firm*—Lerner, David, Littenberg,  
Krumholz & Mentlik, LLP

[73] Assignee: **HA-LO Industries, Inc.**, New York,  
N.Y.

[\*\*] Term: **14 Years**

[57] **CLAIM**

The ornamental design for a cup dispenser, as shown and described.

[21] Appl. No.: **29/102,370**

**DESCRIPTION**

[22] Filed: **Mar. 23, 1999**

[51] **LOC (6) Cl.** ..... **07-07**

FIG. 1 is a perspective view of the present invention;

[52] **U.S. Cl.** ..... **D6/516**

FIG. 2 is a front elevational view thereof;

[58] **Field of Search** ..... D6/516; 221/282-285;  
211/45, 49.1, 71, 74

FIG. 3 is a rear elevational view thereof;

FIG. 4 is a top plan view thereof; and,

FIG. 5 is a left side elevational view thereof, the right side being a mirror image thereof.

[56] **References Cited**

The pen and cup shown in broken lines in FIG. 1 are for illustrative purposes only and form no part of the invention. The appearance of the bottom of the cup dispenser is disclaimed.

**U.S. PATENT DOCUMENTS**

- D. 165,799 1/1952 Stedman ..... D6/516 X
- D. 307,842 5/1990 Bieganski ..... D6/516
- 3,788,487 1/1974 Dawson ..... 211/49.1 X

**1 Claim, 2 Drawing Sheets**

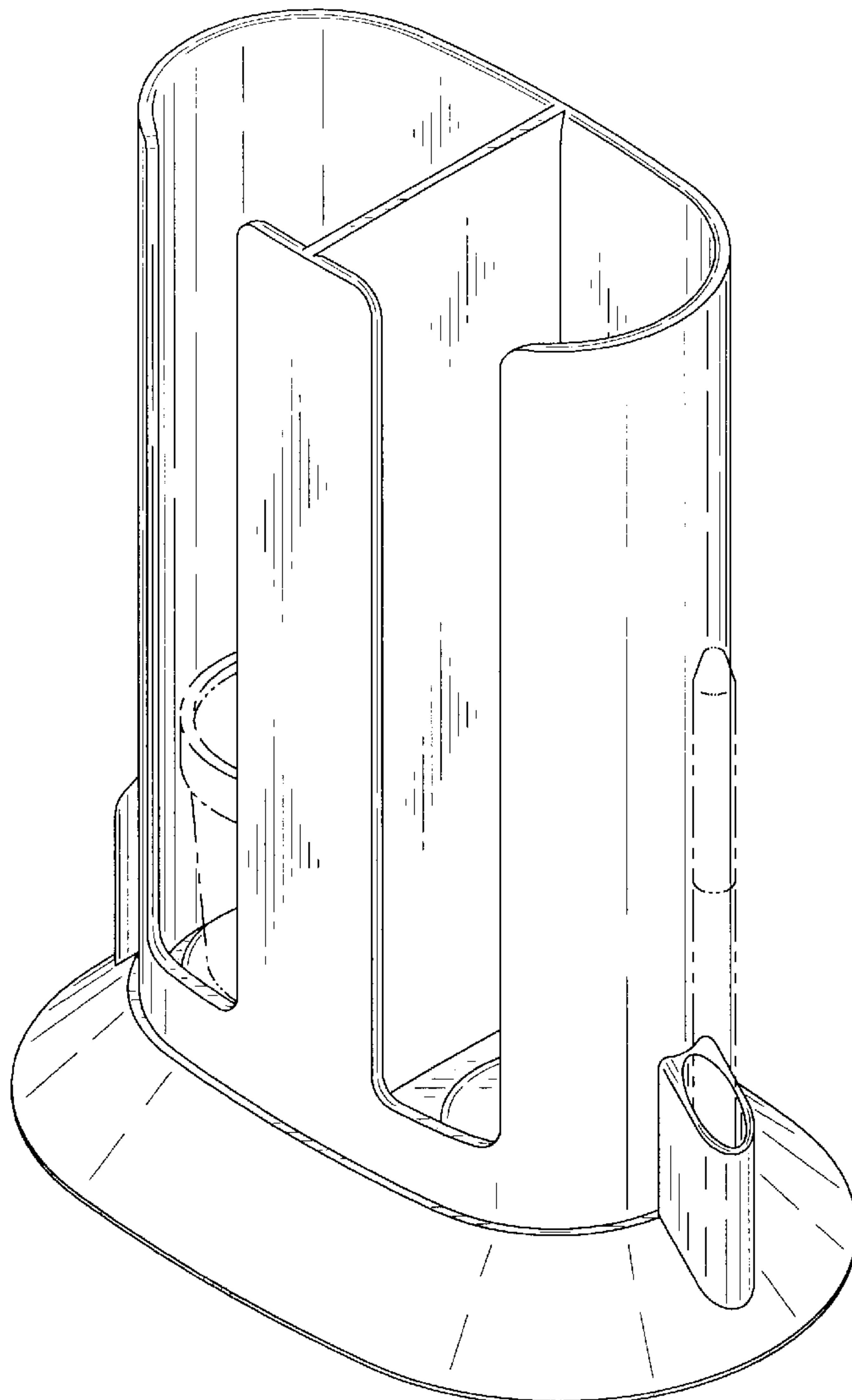


FIG. 2

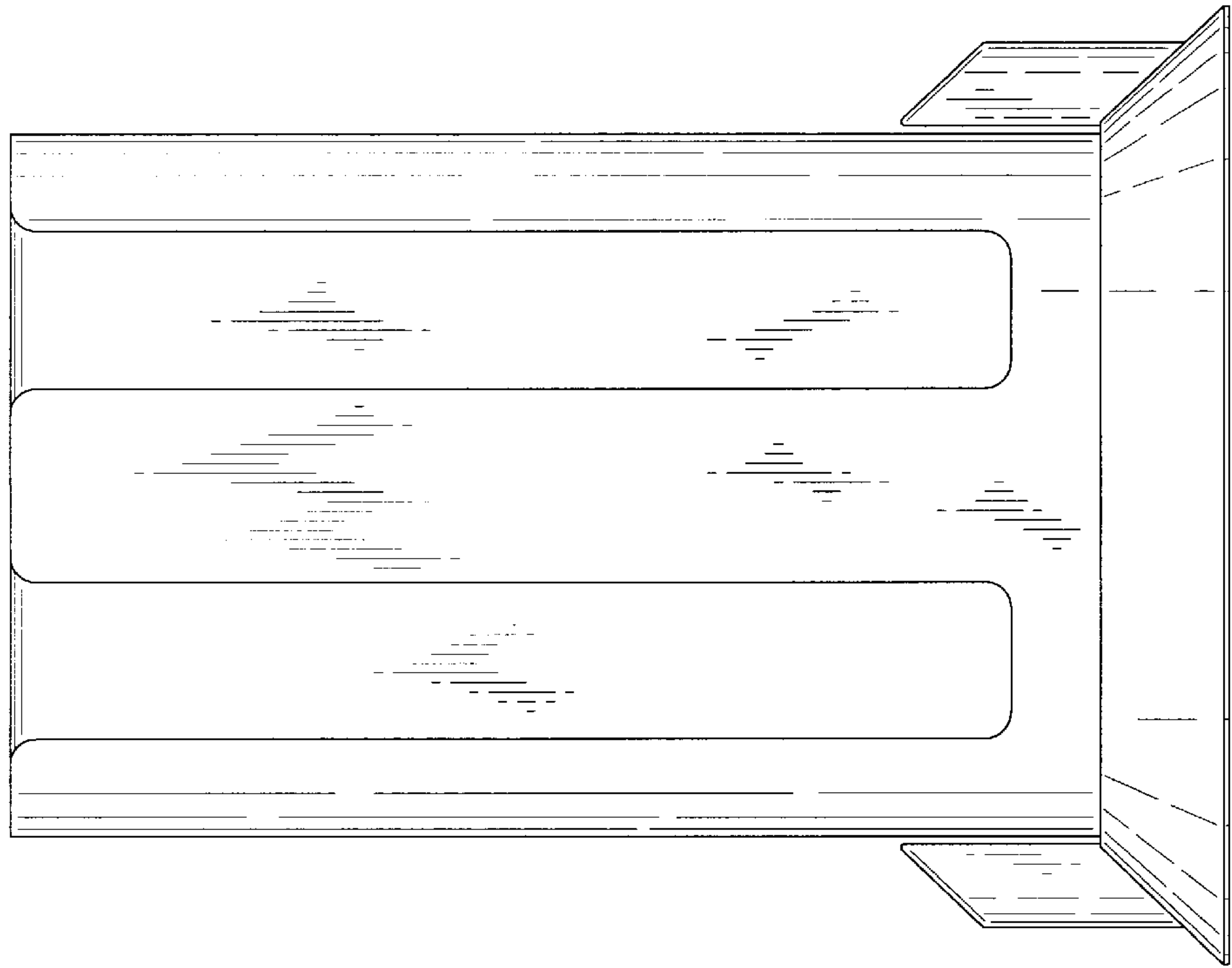


FIG. 1

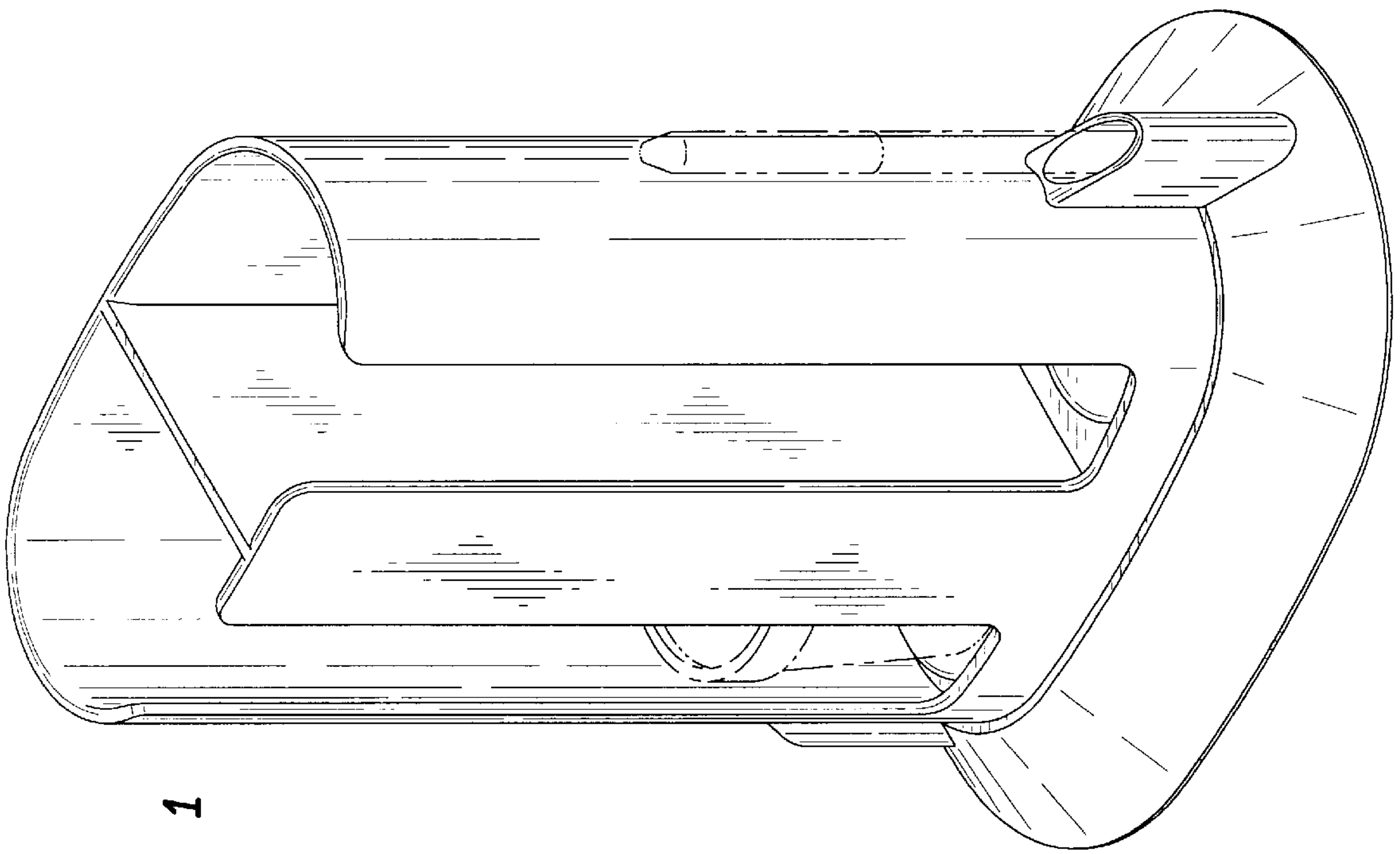


FIG. 5

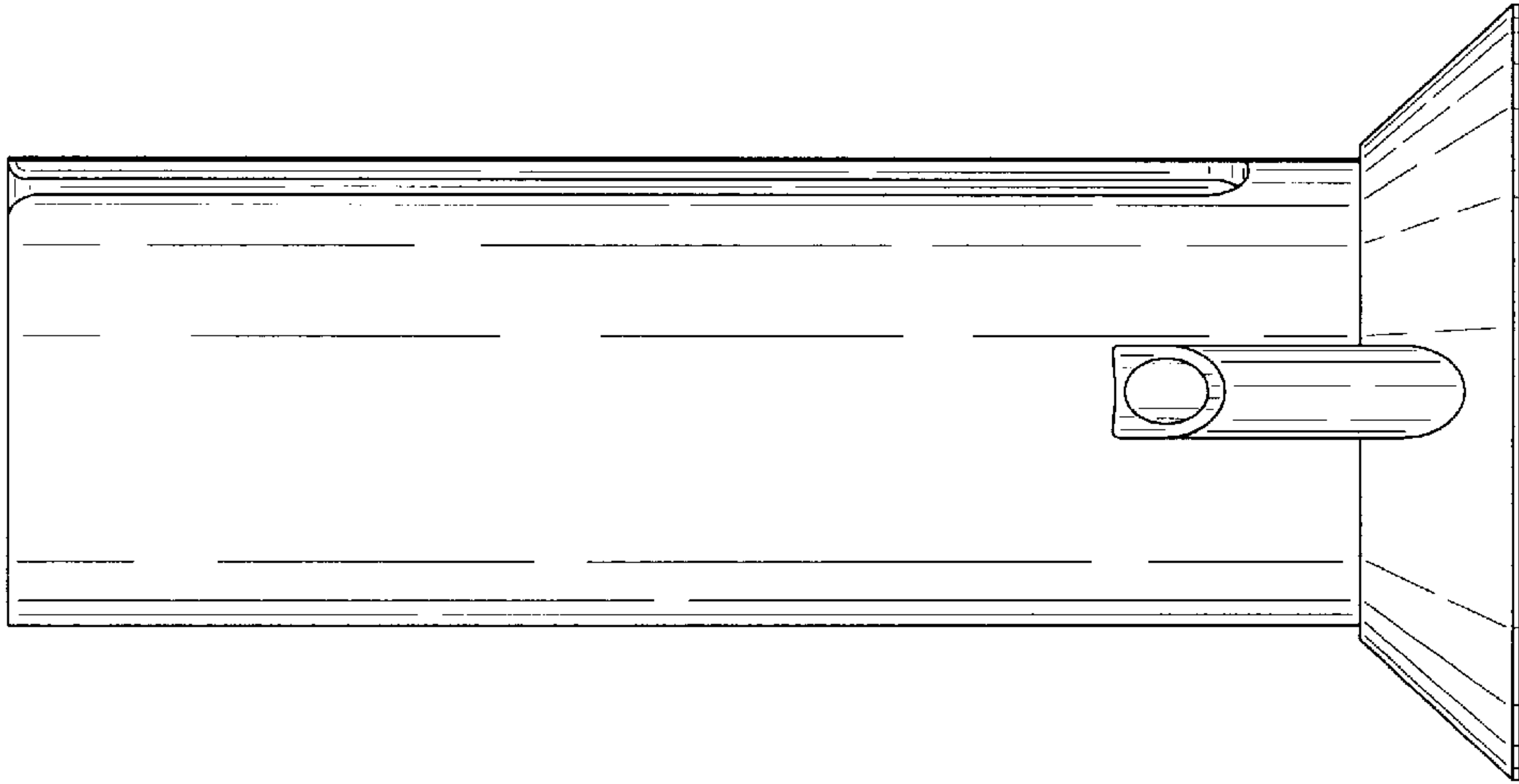


FIG. 4

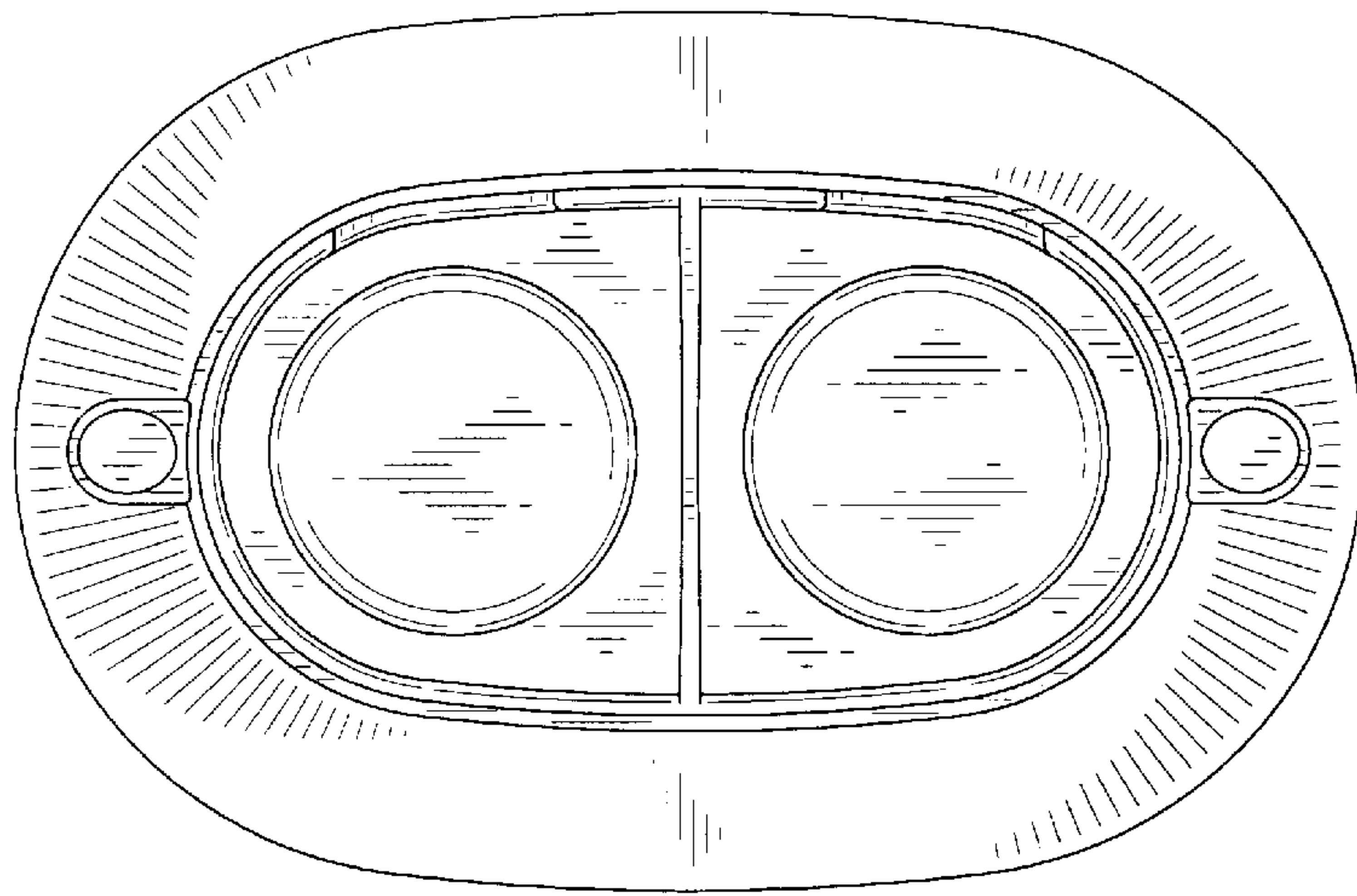


FIG. 3

