



US00D421352S

United States Patent [19] Gesing

[11] **Patent Number: Des. 421,352**
[45] **Date of Patent: ** Mar. 7, 2000**

[54] **TABLE**

1,422,618 7/1922 Ogden 108/157.1

[76] Inventor: **Sahara-A. Gesing**, 2510 Valencia Ter.,
Charlotte, N.C. 28226

[**] Term: **14 Years**

[21] Appl. No.: **29/105,065**

[22] Filed: **May 17, 1999**

Related U.S. Application Data

[62] Division of application No. 29/078,024, Oct. 15, 1997.

[51] **LOC (6) Cl.** **06-03**

[52] **U.S. Cl.** **D6/480; D6/477**

[58] **Field of Search** D6/480-489, 495,
D6/511, 436, 477; 108/153.1, 156, 157.1,
161, 91; 248/188, 188.1, 188.8

[56] References Cited

U.S. PATENT DOCUMENTS

D. 281,125 10/1985 Brown D6/477
D. 371,700 7/1996 Rosen D6/483

OTHER PUBLICATIONS

Thomasville, Replicas 1800, p. 25, Jan. 1984, table at top right.
Pennsylvania House, Jun. 1994, p. 134, cocktail table at lower left, #17-1201.
Lazarus, Aug. 1992, front cover, table.
Thomasville, Replicas 11800, p. 24, Jan. 1984, table at top left.

Primary Examiner—Janice E. Seeger
Attorney, Agent, or Firm—Kilpatrick Stockton LLP;
Charles W. Calkins; James J. Bindseil

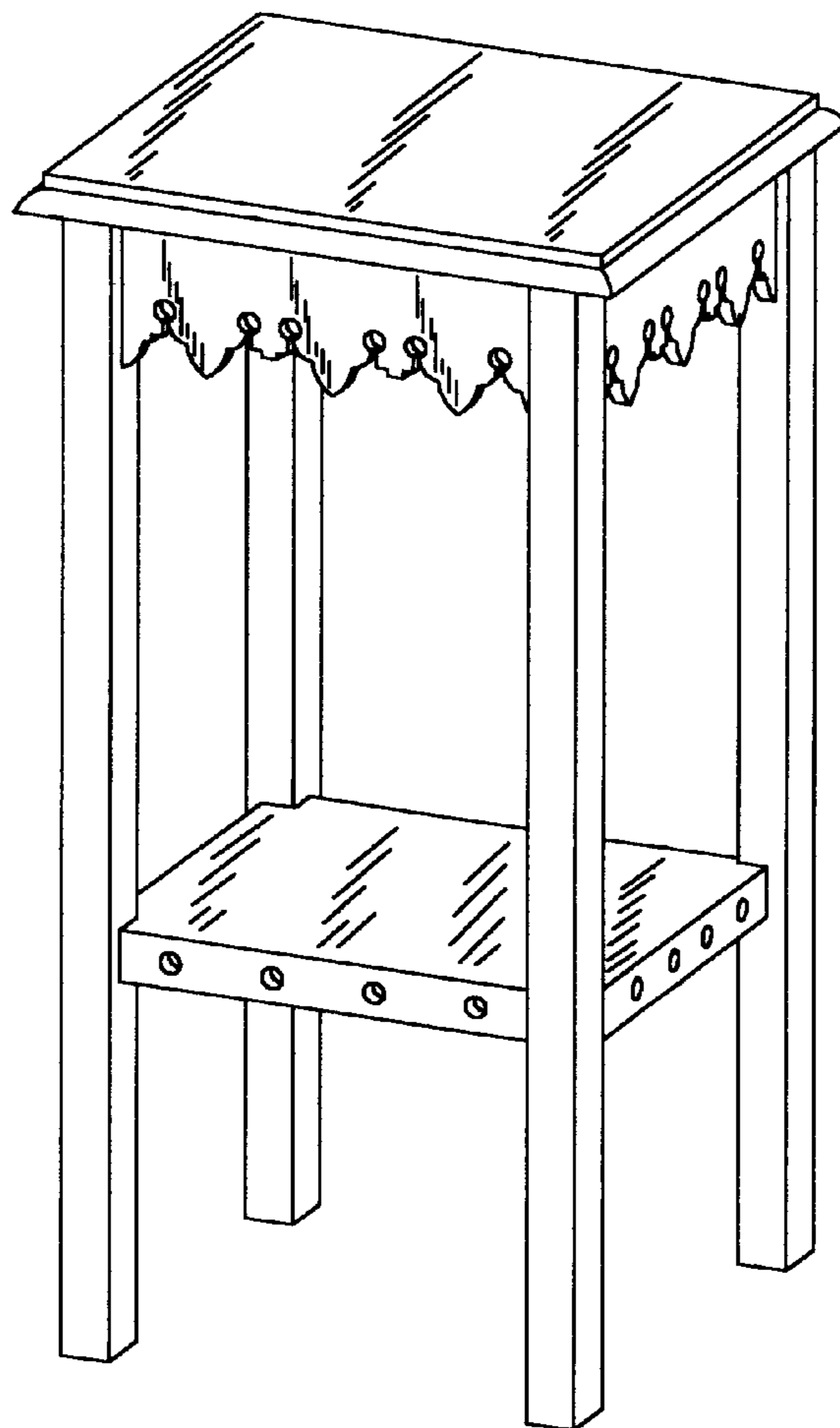
[57] CLAIM

The ornamental design for a table, as shown and described.

DESCRIPTION

FIG. 1 is a perspective view of a table of my new design; FIG. 2 is a top plan view thereof; and, FIG. 3 is a front side elevational view thereof, the rear, left and right sides being identical.

1 Claim, 2 Drawing Sheets



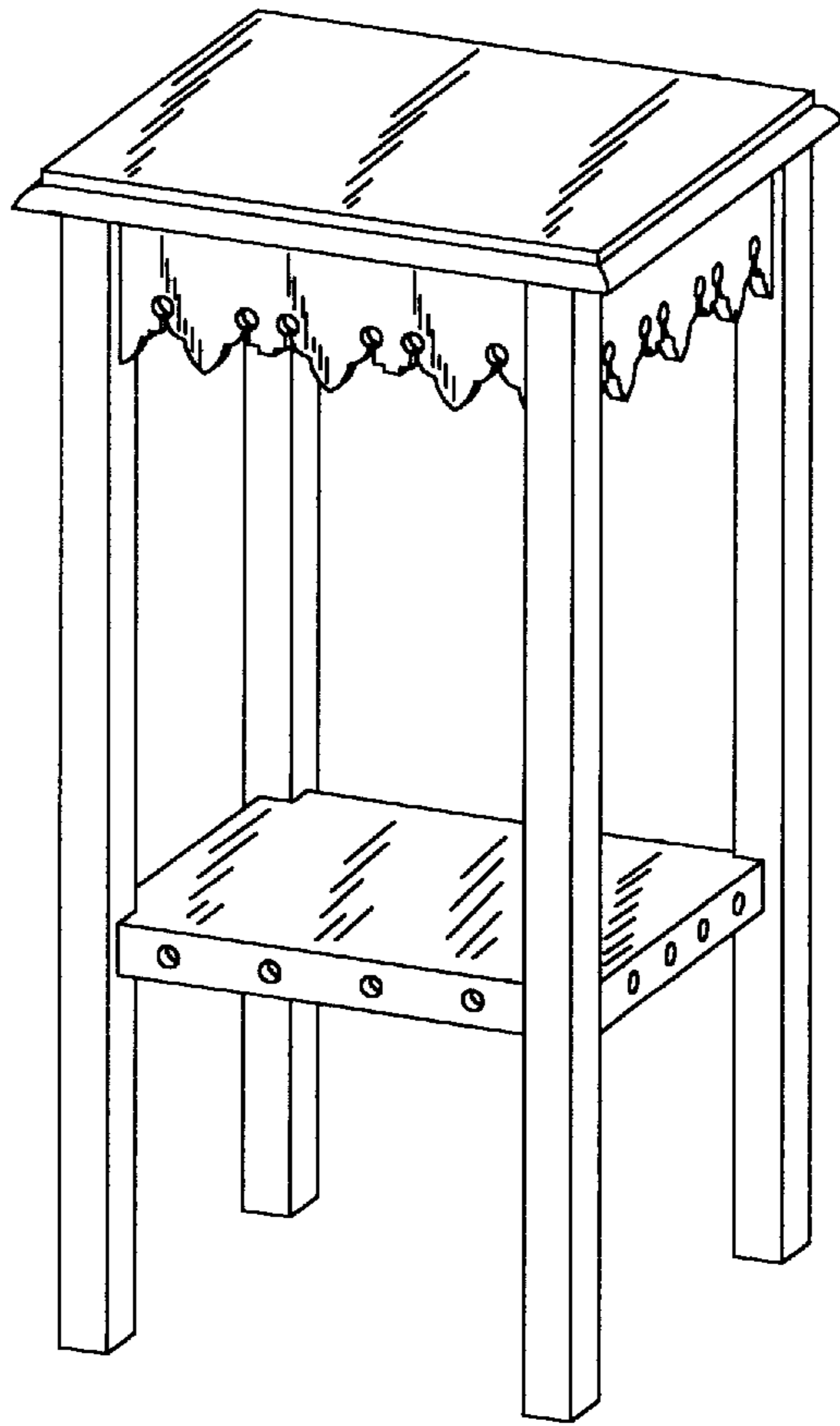


FIG. 1

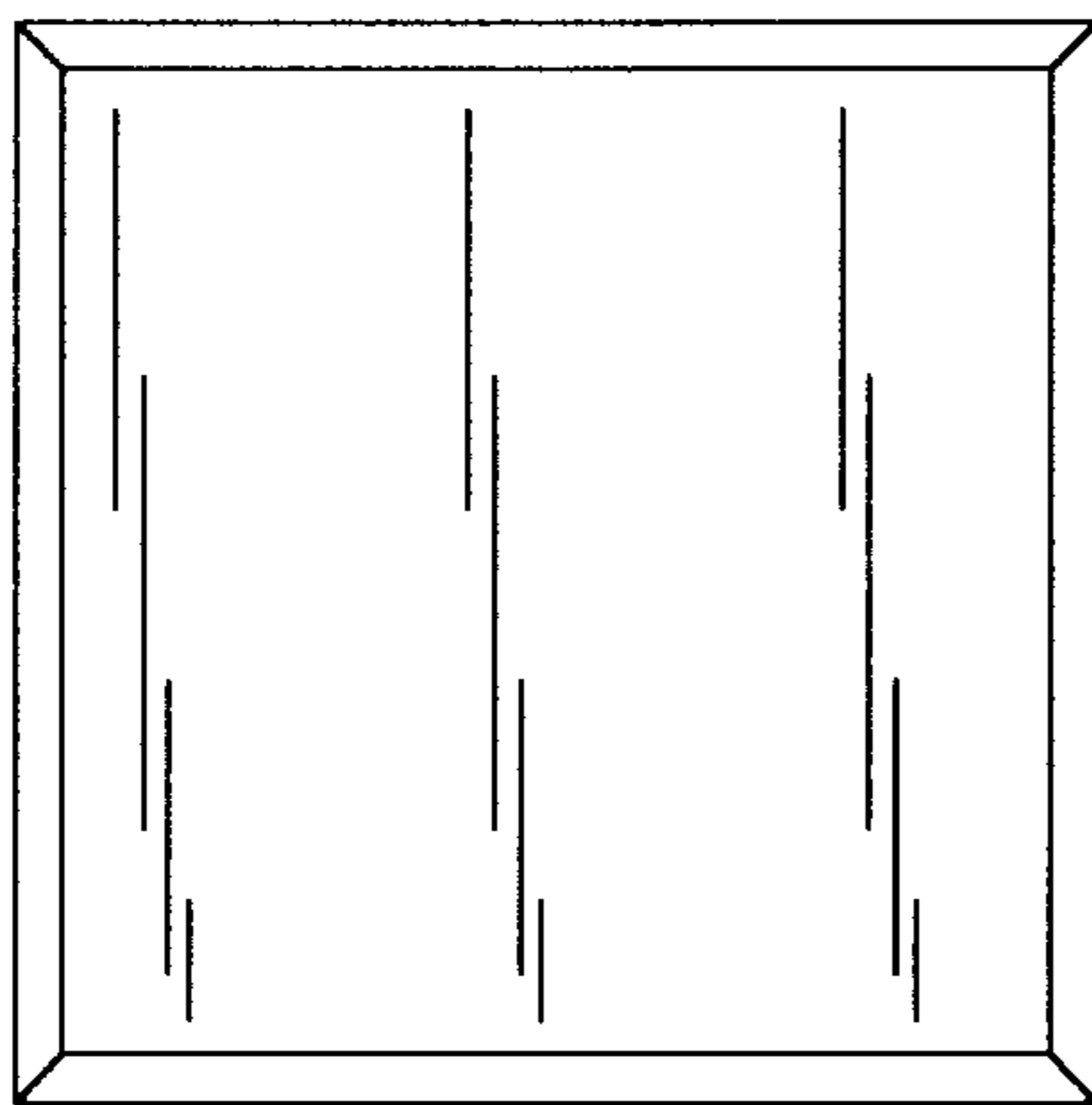


FIG. 2

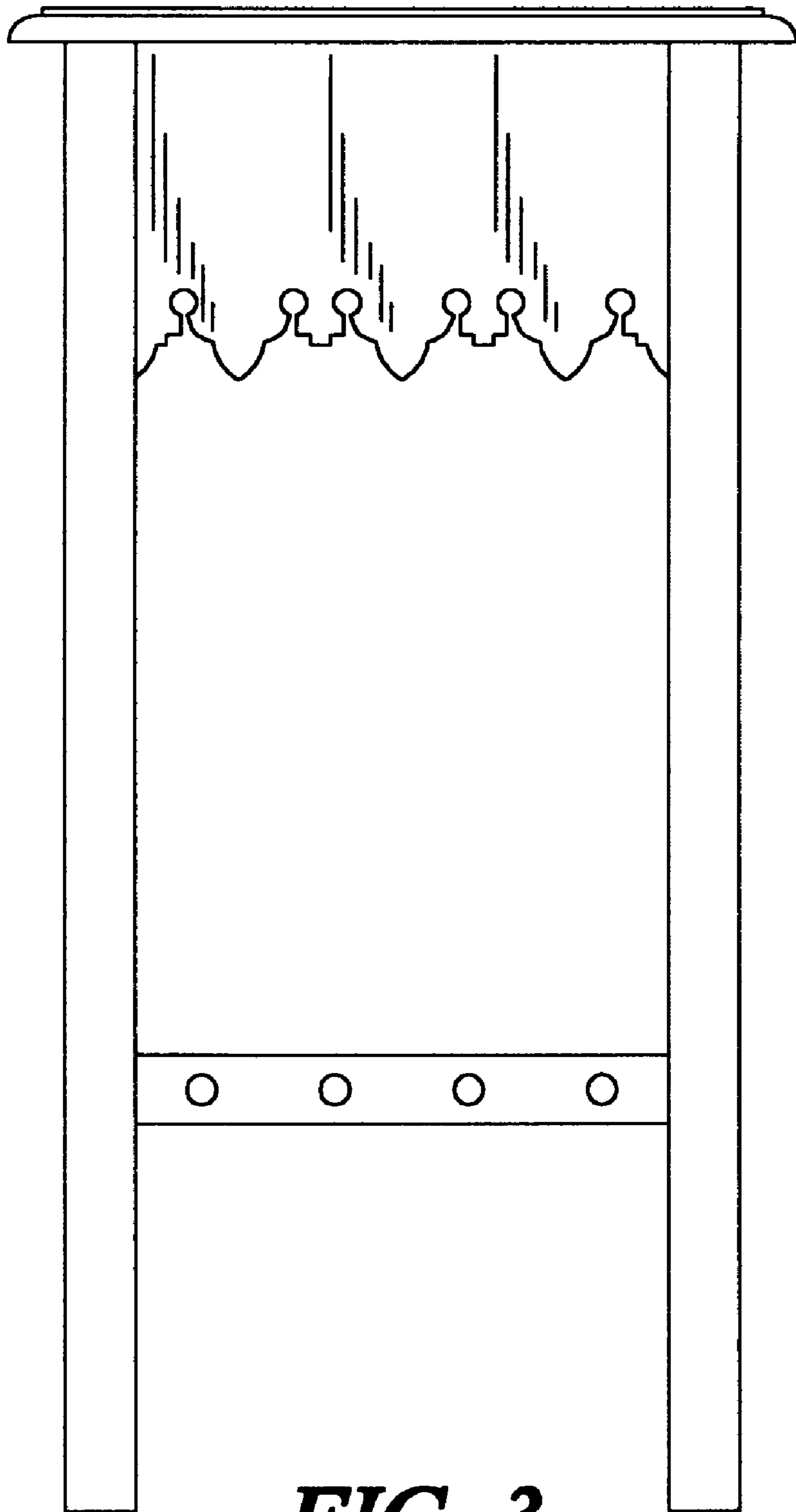


FIG. 3