



US00D421351S

# United States Patent [19] Kopala, Jr.

[11] **Patent Number: Des. 421,351**  
[45] **Date of Patent: \*\* Mar. 7, 2000**

[54] **DISPLAY RACK**  
[75] Inventor: **Walter W. Kopala, Jr.**, Coto de Caza, Calif.

2,896,793 7/1959 Bogart et al. .... D6/462 X  
2,930,486 3/1960 Hoover ..... 211/44  
4,342,268 8/1982 Grava ..... 211/49.1 X  
5,022,540 6/1991 Vail, Sr. et al. .... 211/181.1

[73] Assignee: **Alltrade Inc.**, Long Beach, Calif.

*Primary Examiner*—Doris V. Coles  
*Assistant Examiner*—Linda Brooks  
*Attorney, Agent, or Firm*—Robert R. Thornton

[\*\*] Term: **14 Years**

[21] Appl. No.: **29/099,795**

### [57] CLAIM

[22] Filed: **Jan. 28, 1999**

The ornamental design for a display rack, as shown and described.

[51] **LOC (6) Cl.** ..... **06-04**

### DESCRIPTION

[52] **U.S. Cl.** ..... **D6/465**

[58] **Field of Search** ..... D6/462-468, 475-477,  
D6/479, 408; 211/10, 11, 49.1, 85.26, 181.1,  
182

FIG. 1 is a perspective view of a display rack showing my new design;

FIG. 2 is a top plan view thereof;

FIG. 3 is a left side elevational view thereof, the right side elevation being a mirror image thereof;

FIG. 4 is a front elevational view thereof, the rear elevation being a mirror image thereof; and,

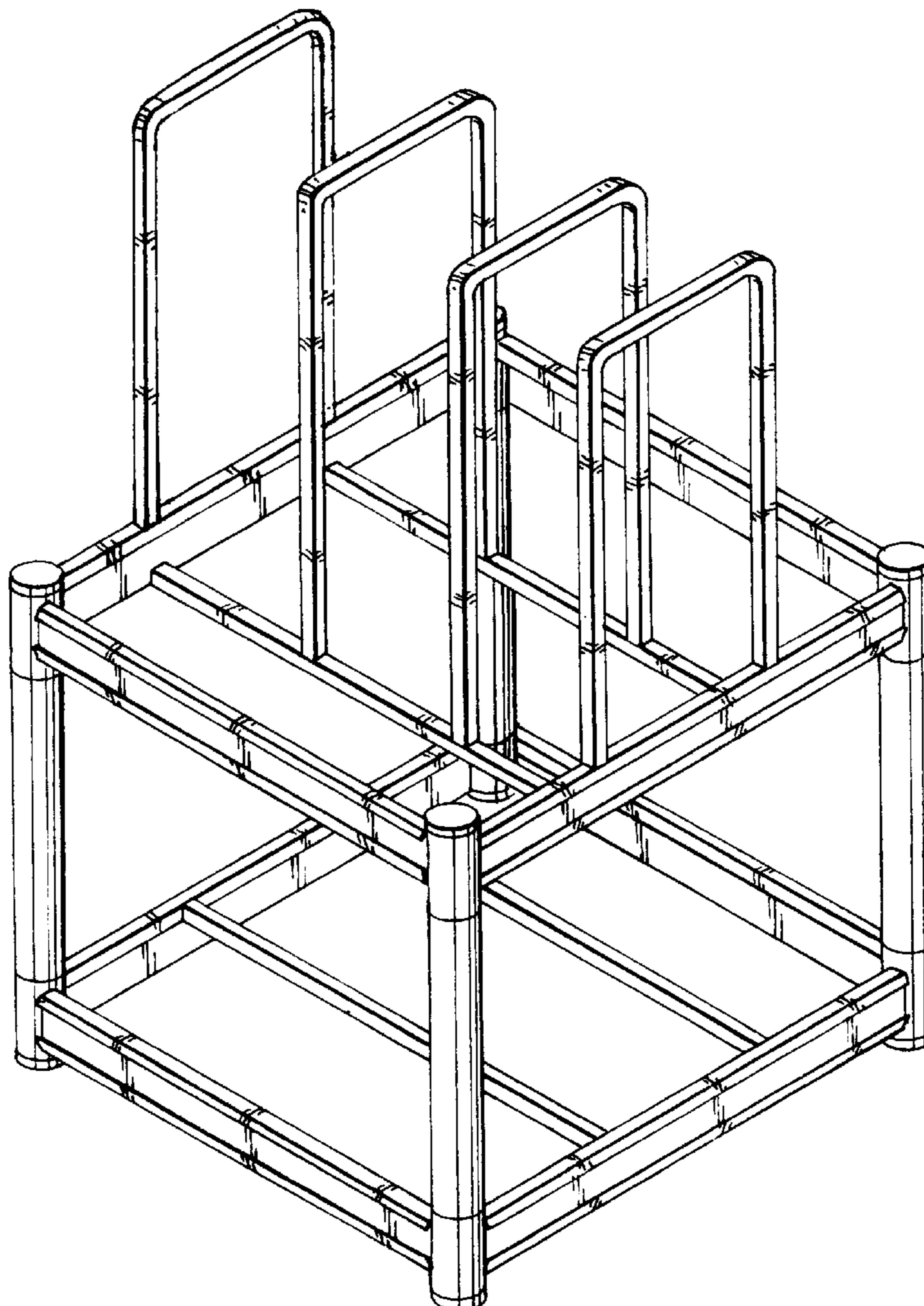
FIG. 5 is a bottom plan view thereof.

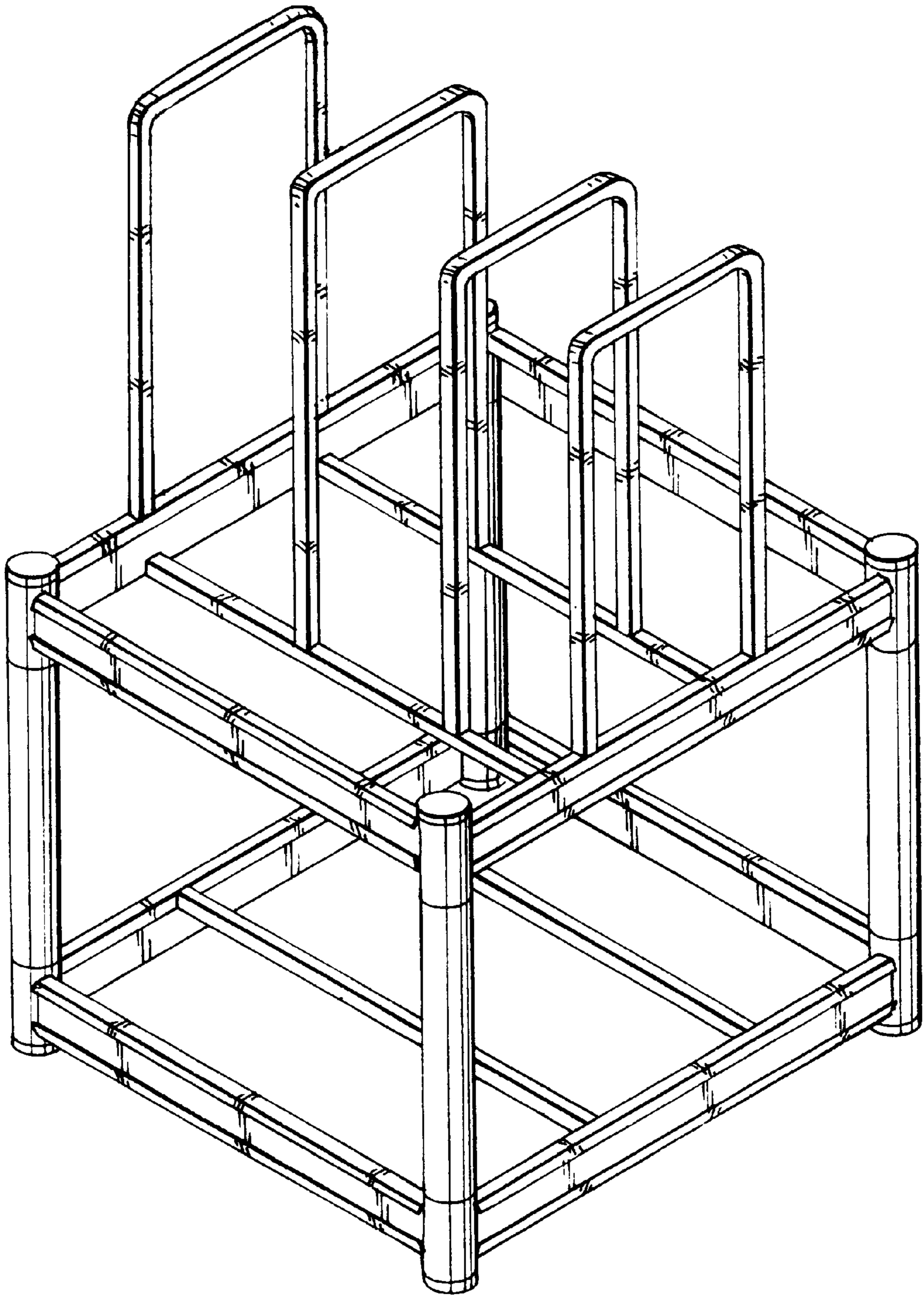
### [56] References Cited

#### U.S. PATENT DOCUMENTS

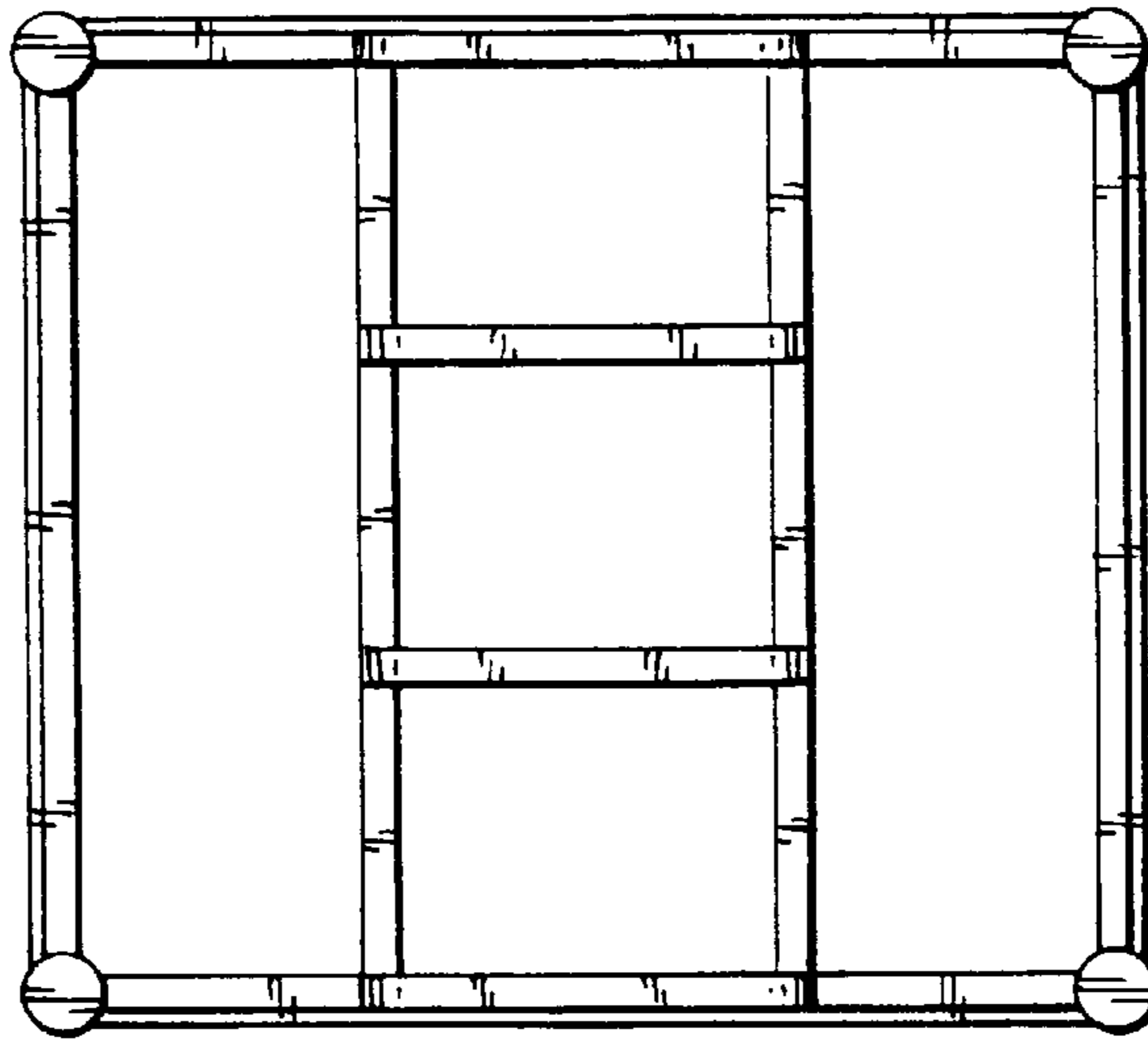
D. 167,356 7/1952 Jensen ..... D6/462  
D. 297,081 8/1988 Baldree et al. .... D6/462  
D. 329,954 10/1992 Sharon et al. .... D6/462  
D. 409,858 5/1999 Reed ..... D6/468

**1 Claim, 3 Drawing Sheets**

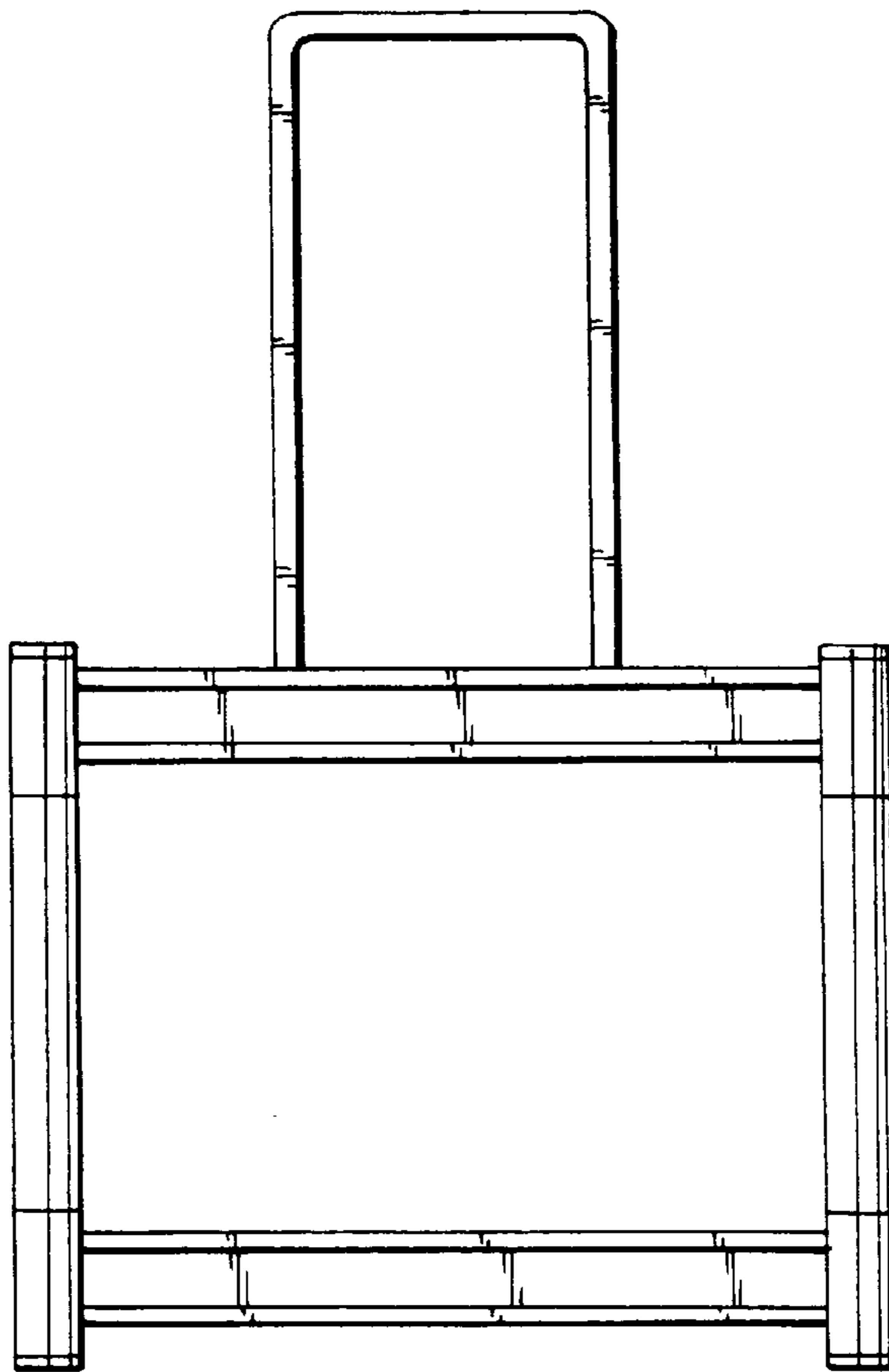




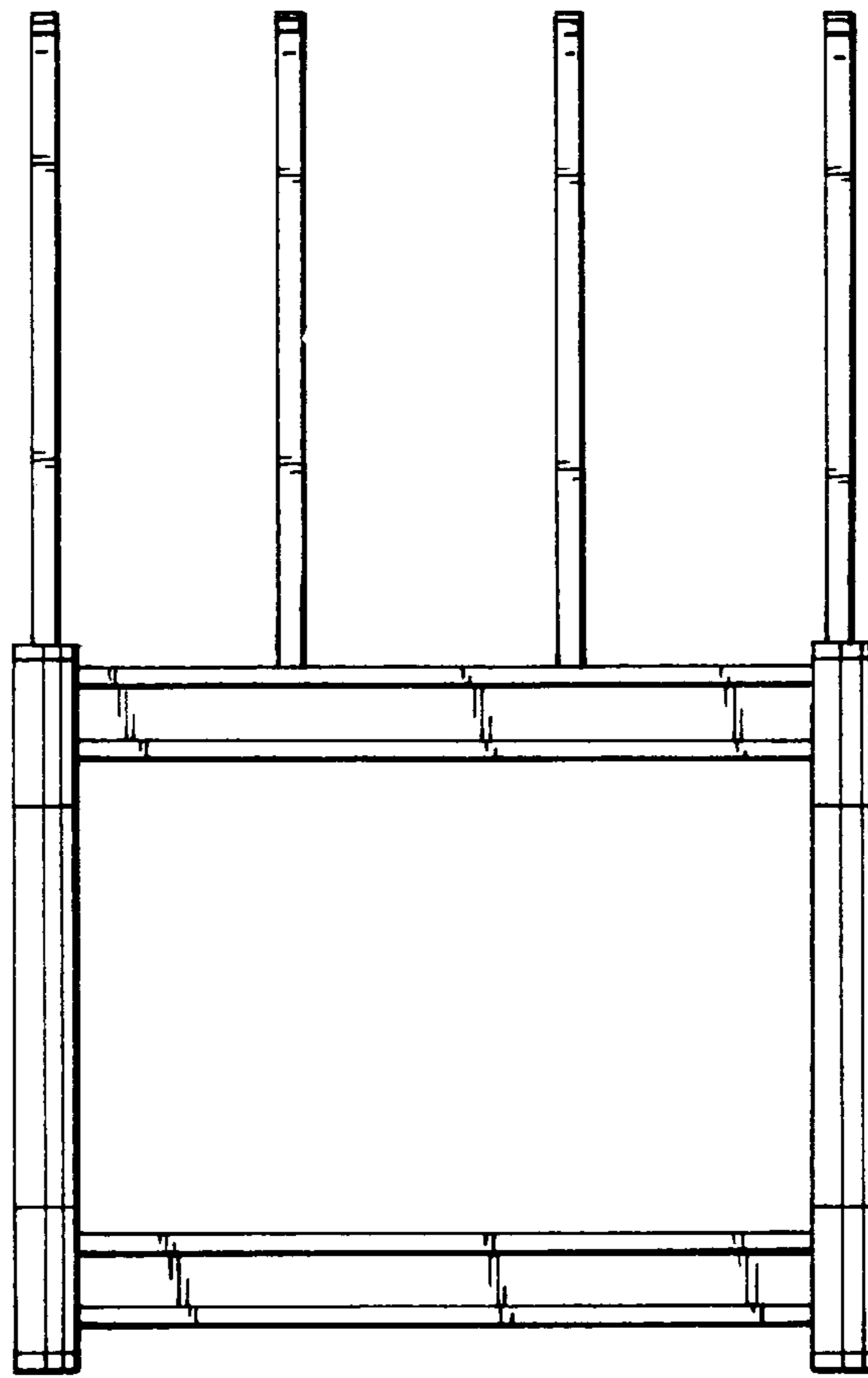
*Fig. 1*



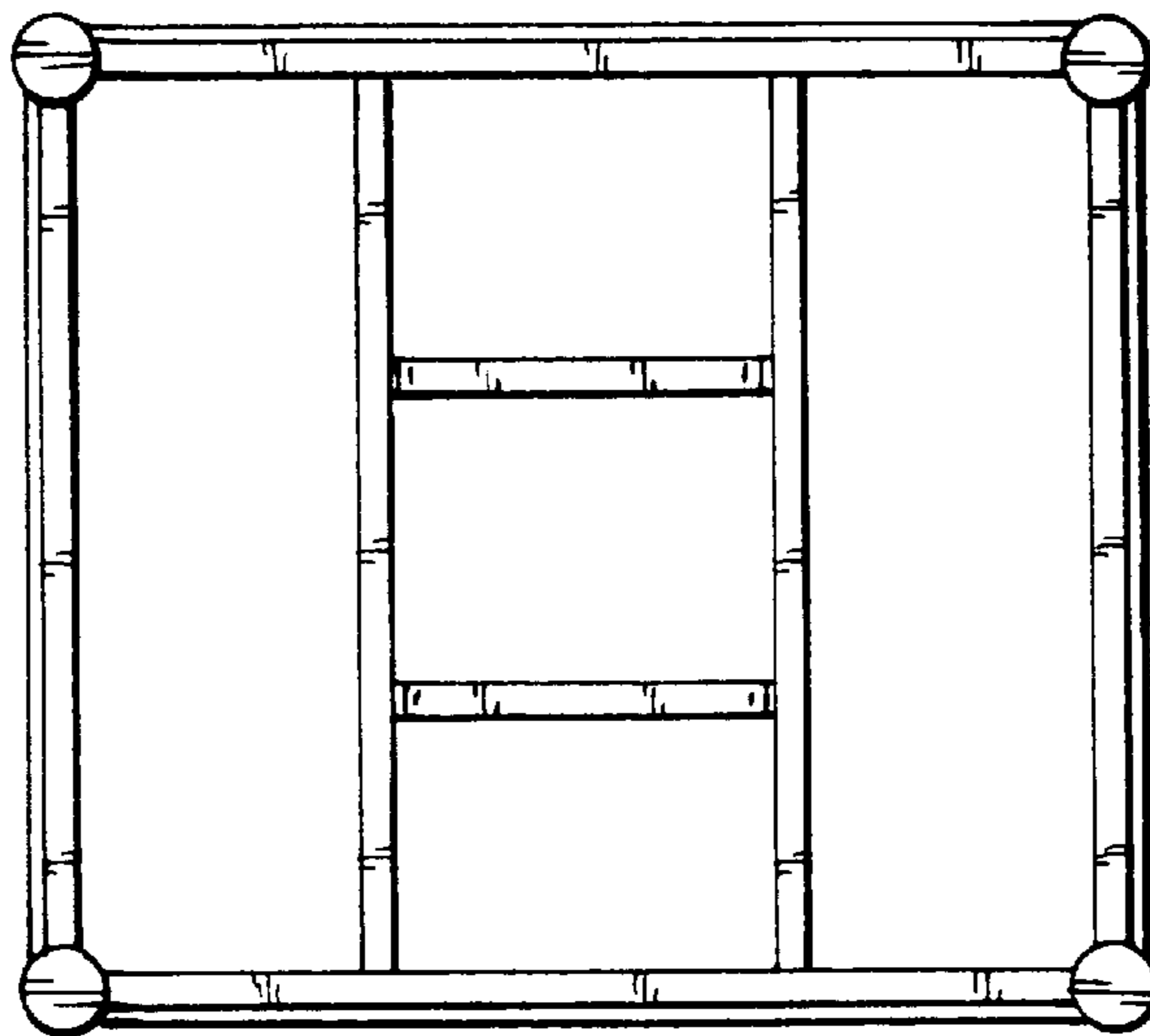
*Fig. 2*



*Fig. 3*



*Fig. 4*



*Fig. 5*