



US00D421350S

# United States Patent [19]

Bidwell et al.

[11] Patent Number: **Des. 421,350**

[45] Date of Patent: **\*\* Mar. 7, 2000**

[54] **PRODUCT MERCHANDISING DISPLAY UNIT**

[75] Inventors: **Christopher C. Bidwell**, Dunwoody;  
**Andrew J Covault**, Cumming, both of Ga.

[73] Assignee: **Paul Flum Ideas, Inc.**, St. Louis, Mo.

[\*\*] Term: **14 Years**

[21] Appl. No.: **29/088,993**

[22] Filed: **Jun. 5, 1998**

[51] **LOC (6) Cl.** ..... **06-04**

[52] **U.S. Cl.** ..... **D6/450**

[58] **Field of Search** ..... D6/450, 477-479,  
D6/474; 211/135, 153, 186-188, 85.4, 49.1,  
85.26, 126.1, 126.2, 126.14, 128.1, 133.1,  
134; 108/27, 59, 91-93, 149

[56] **References Cited**

**U.S. PATENT DOCUMENTS**

|            |         |           |       |           |
|------------|---------|-----------|-------|-----------|
| D. 111,736 | 10/1938 | De Sabato | ..... | D6/450    |
| D. 208,340 | 8/1967  | Pollenz   | ..... | D6/450    |
| D. 259,684 | 6/1981  | Davis     | ..... | D6/450    |
| D. 368,396 | 4/1996  | Bidwell   | ..... | D6/479    |
| 1,554,137  | 9/1925  | Slifkin   | ..... | 211/186 X |

*Primary Examiner*—Doris V. Coles  
*Assistant Examiner*—Linda Brooks  
*Attorney, Agent, or Firm*—Blackwell Sanders Peper Martin

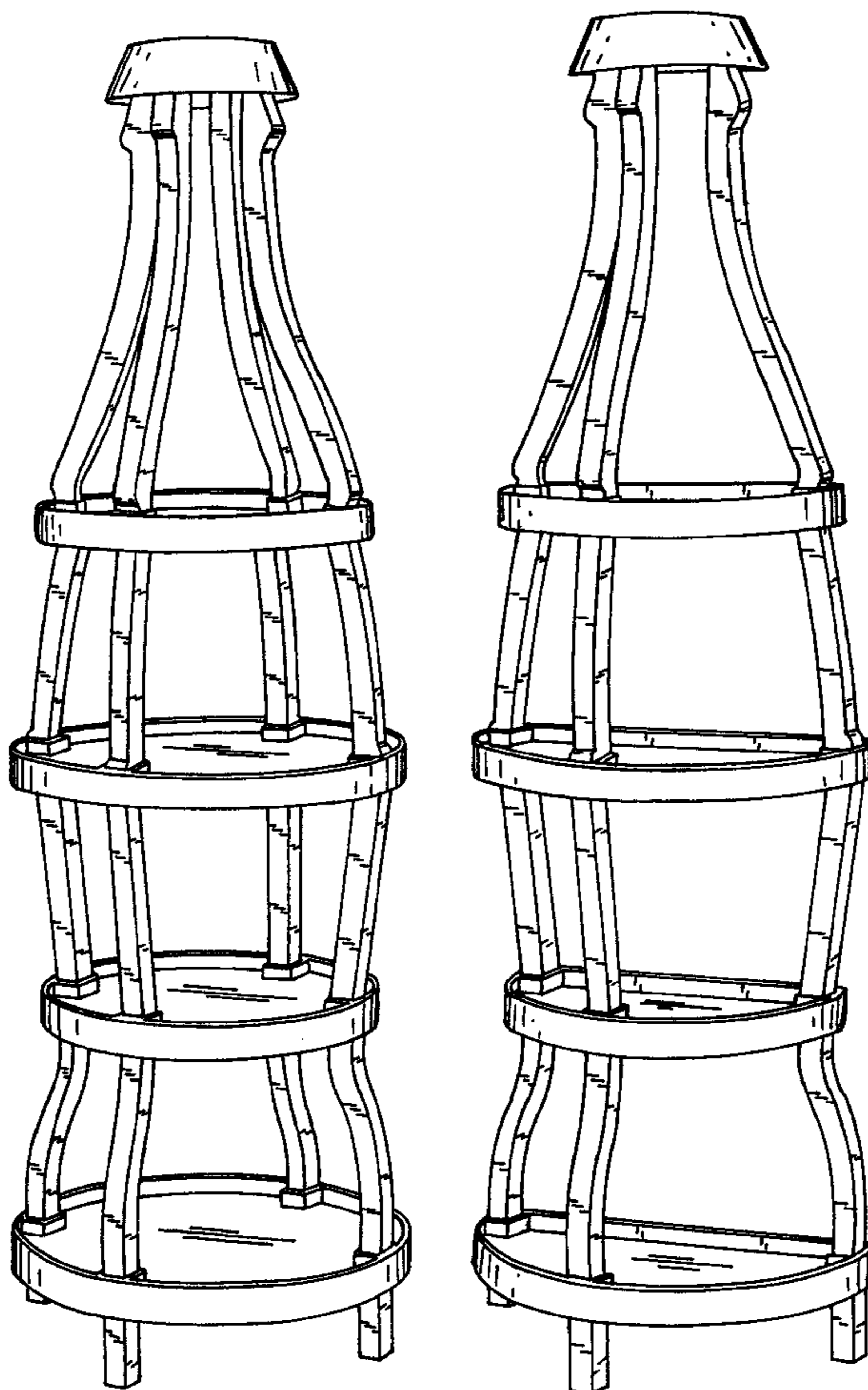
[57] **CLAIM**

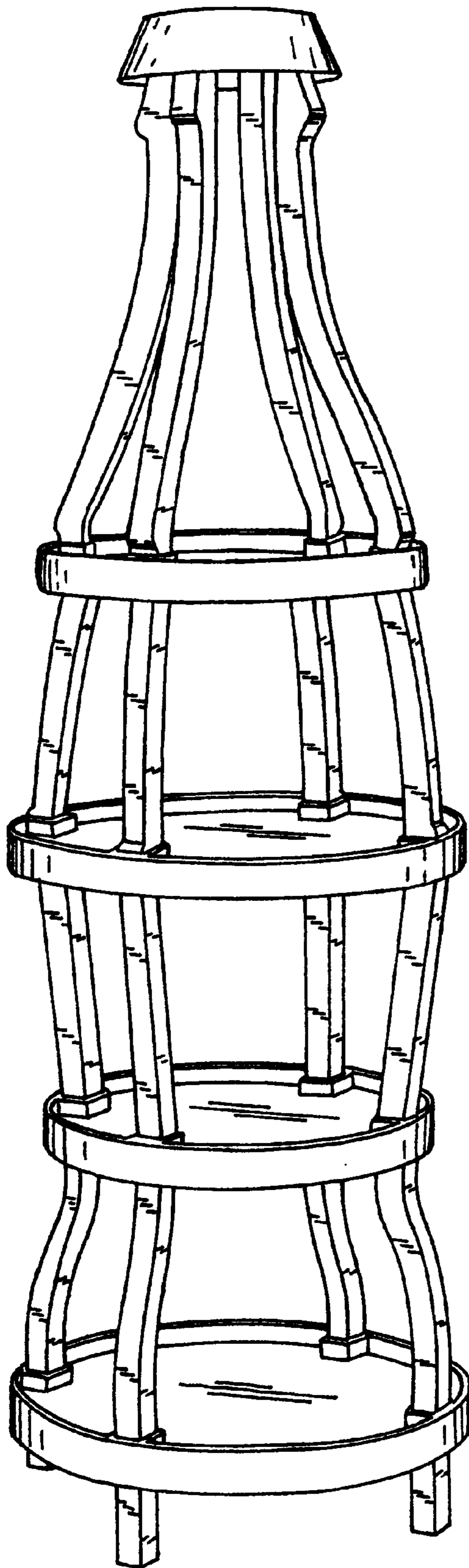
The ornamental design for a product merchandising display unit, as shown and described.

**DESCRIPTION**

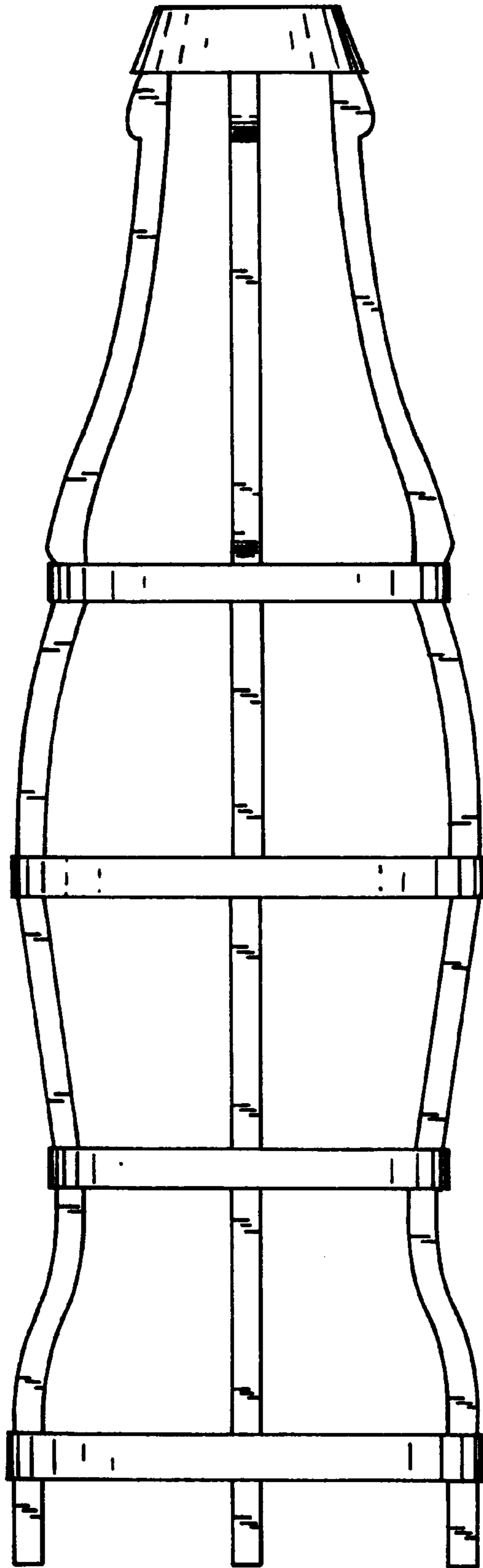
FIG. 1 is a perspective view of a product merchandising display unit showing our new design;  
FIG. 2 is a front elevational view thereof, the left, right and rear elevational views being mirror images thereof;  
FIG. 3 is a top plan view thereof;  
FIG. 4 is a bottom plan view thereof;  
FIG. 5 is a perspective view of an alternative embodiment of FIG. 1;  
FIG. 6 is a front elevational view of the alternative embodiment;  
FIG. 7 is a rear elevational view of the alternative embodiment;  
FIG. 8 is a right side elevational view of the alternative embodiment, the left side elevational view being a mirror image thereof;  
FIG. 9 is a top plan view of the alternative embodiment; and,  
FIG. 10 is a bottom plan view of the alternative embodiment.

**1 Claim, 6 Drawing Sheets**

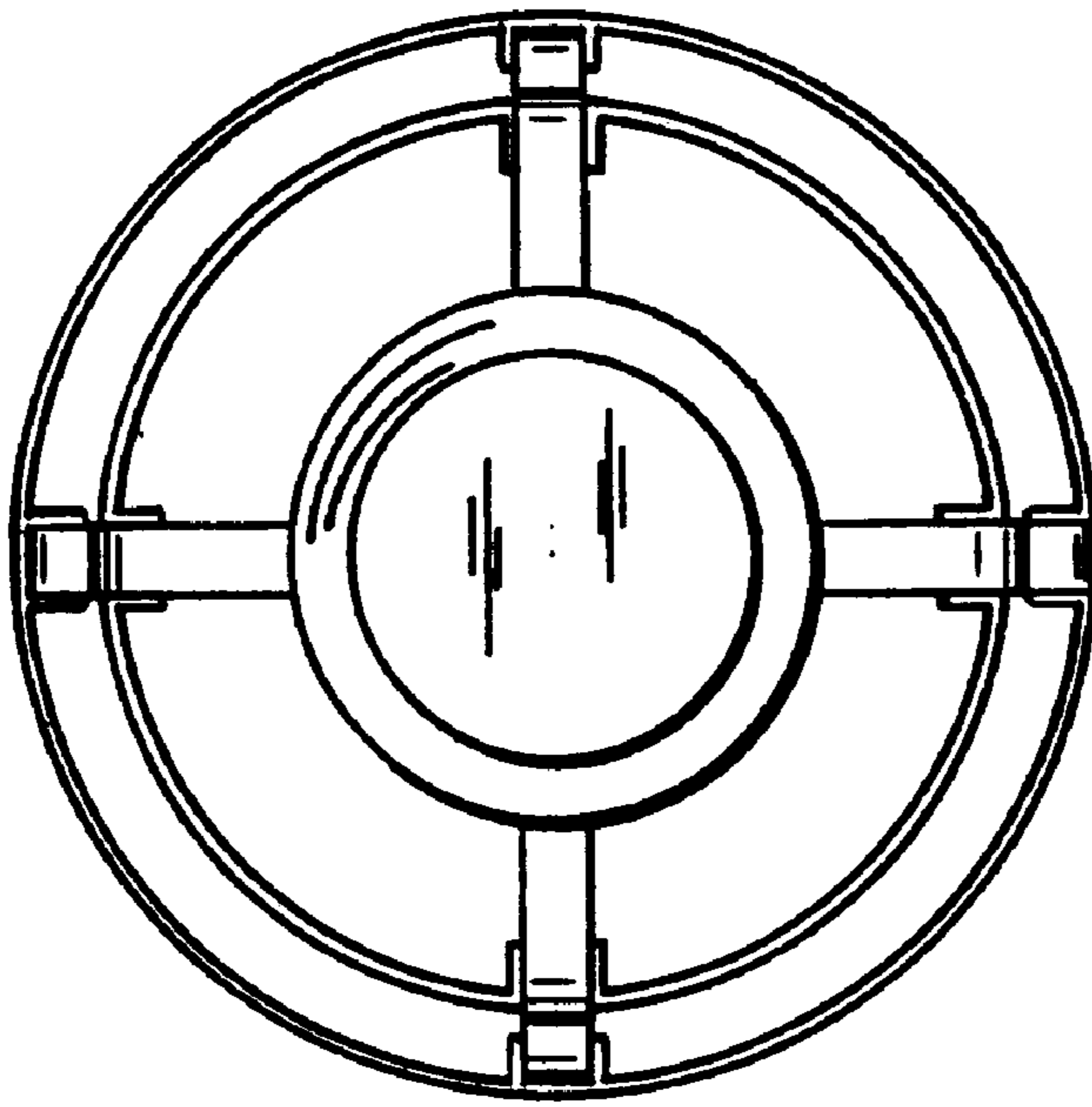




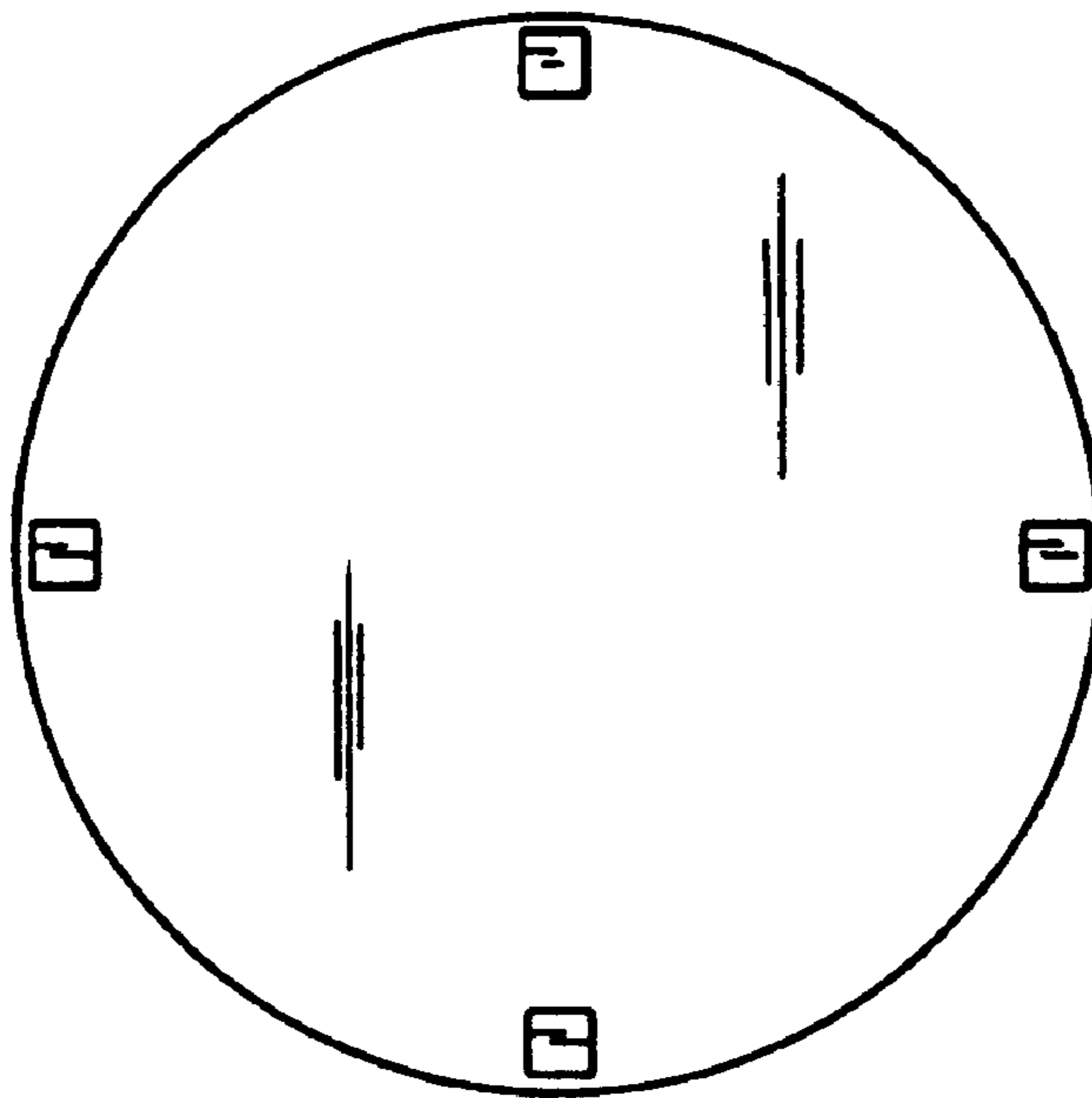
*Fig. 1*



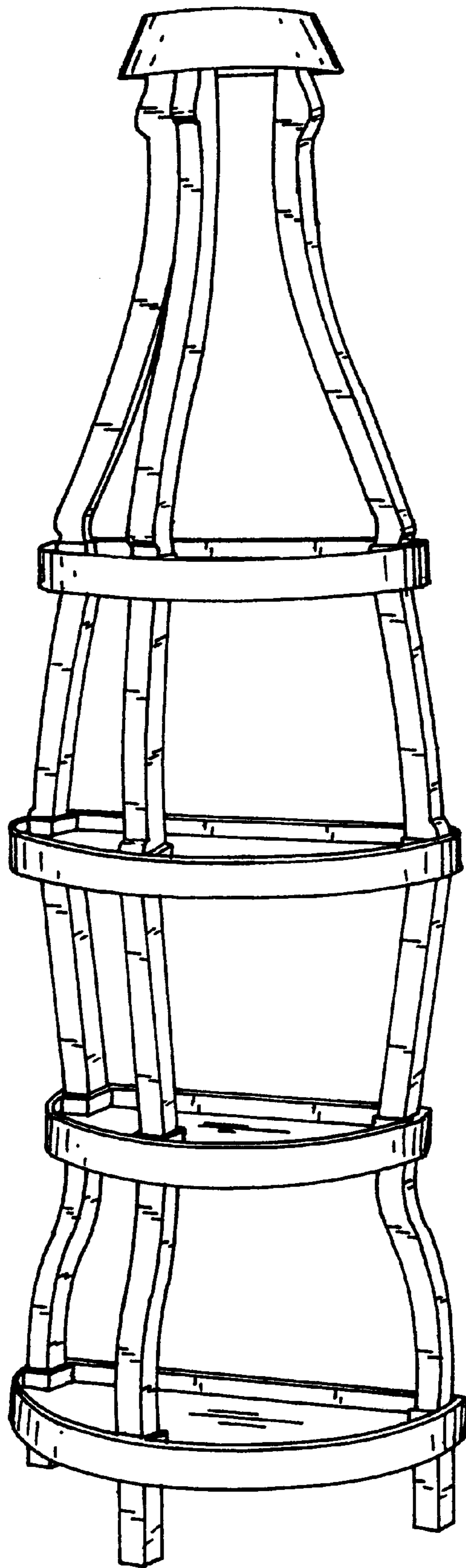
*Fig. 2*



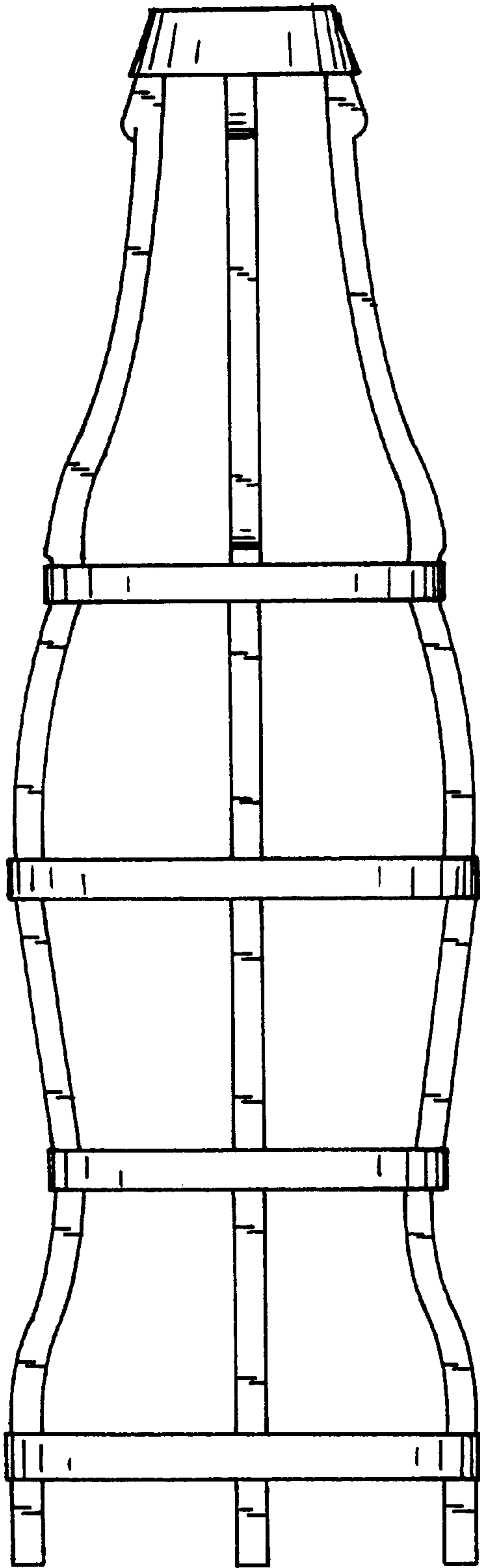
***Fig. 3***



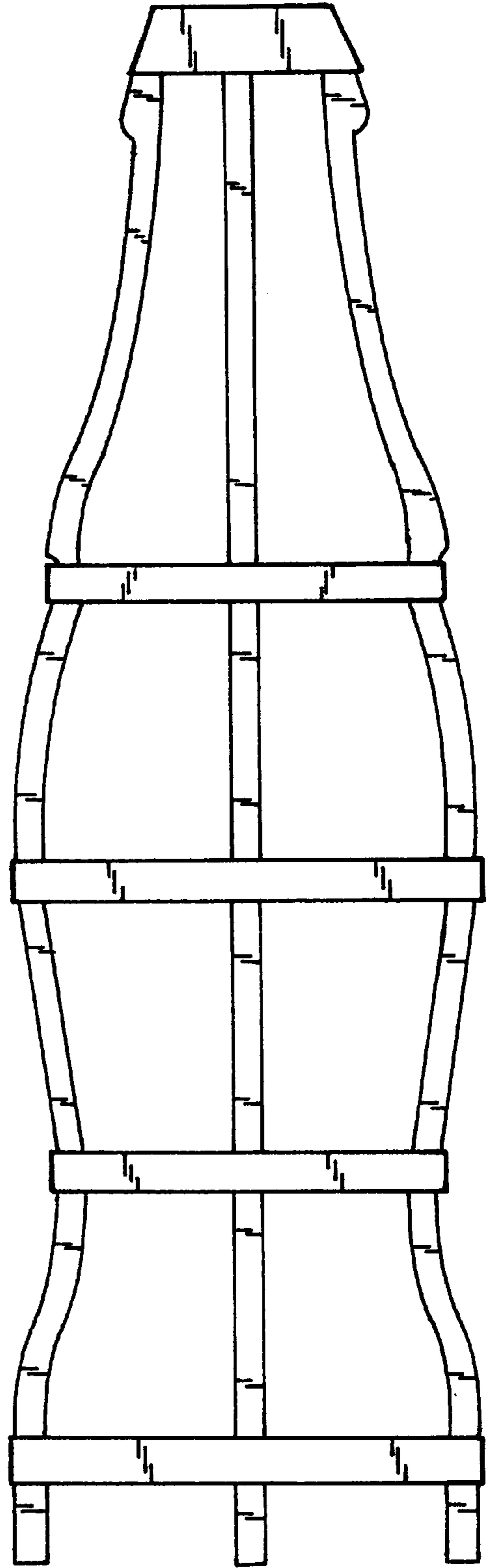
***Fig. 4***



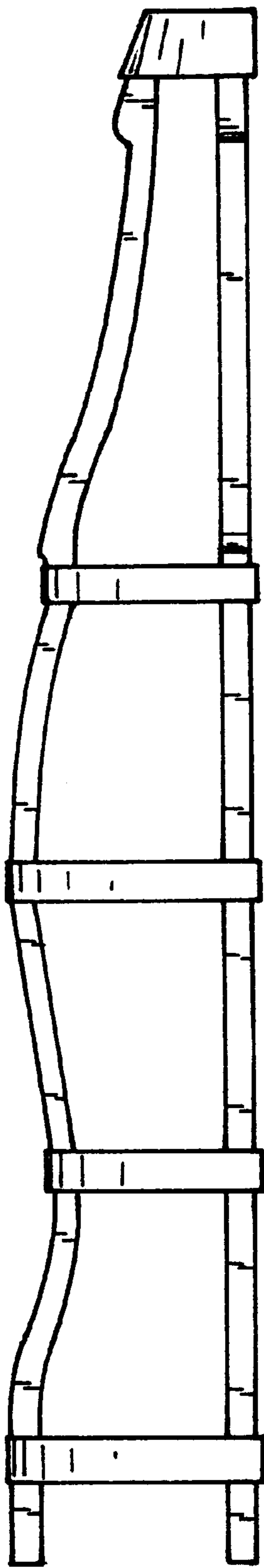
***Fig. 5***



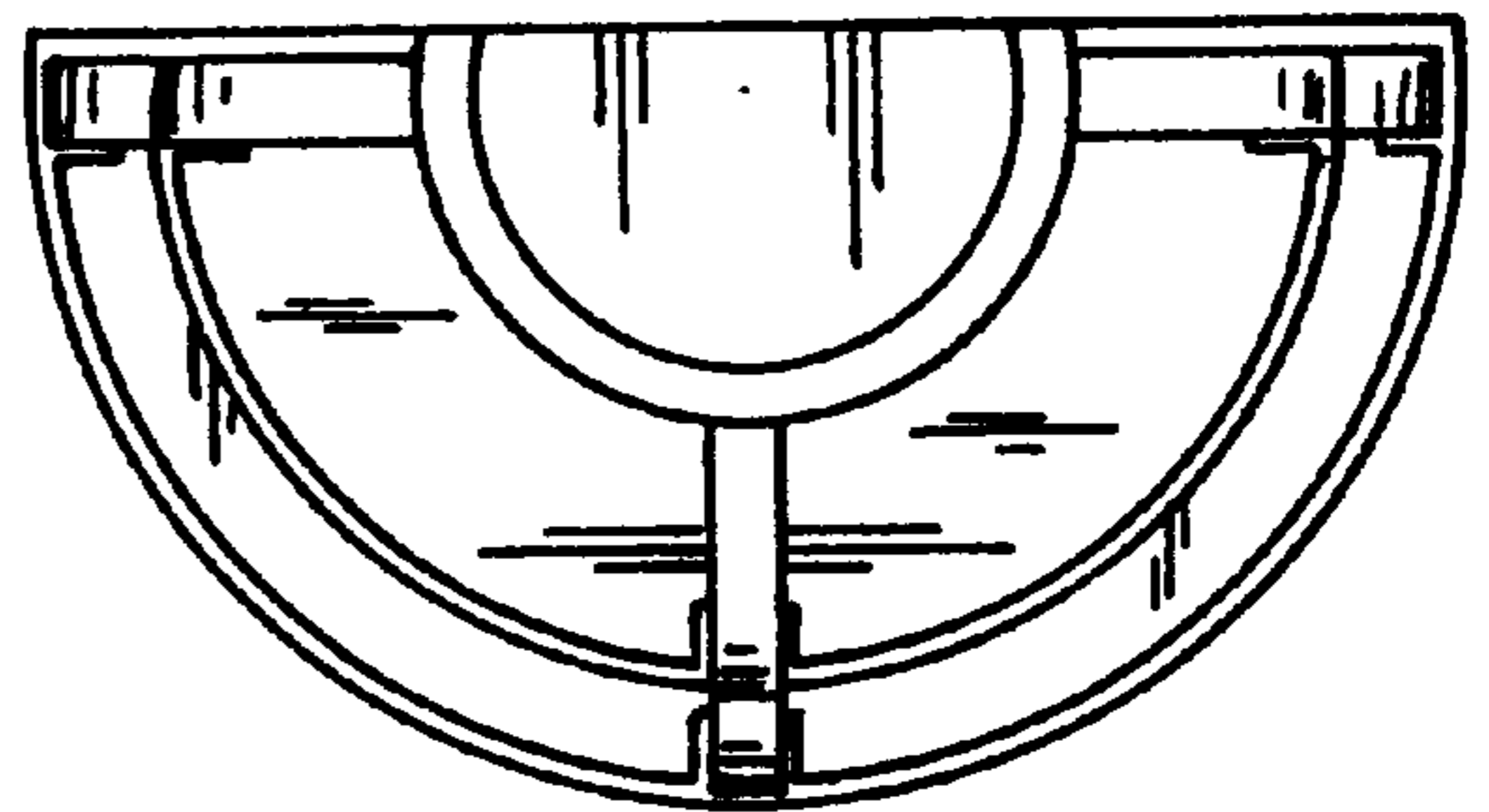
**Fig. 6**



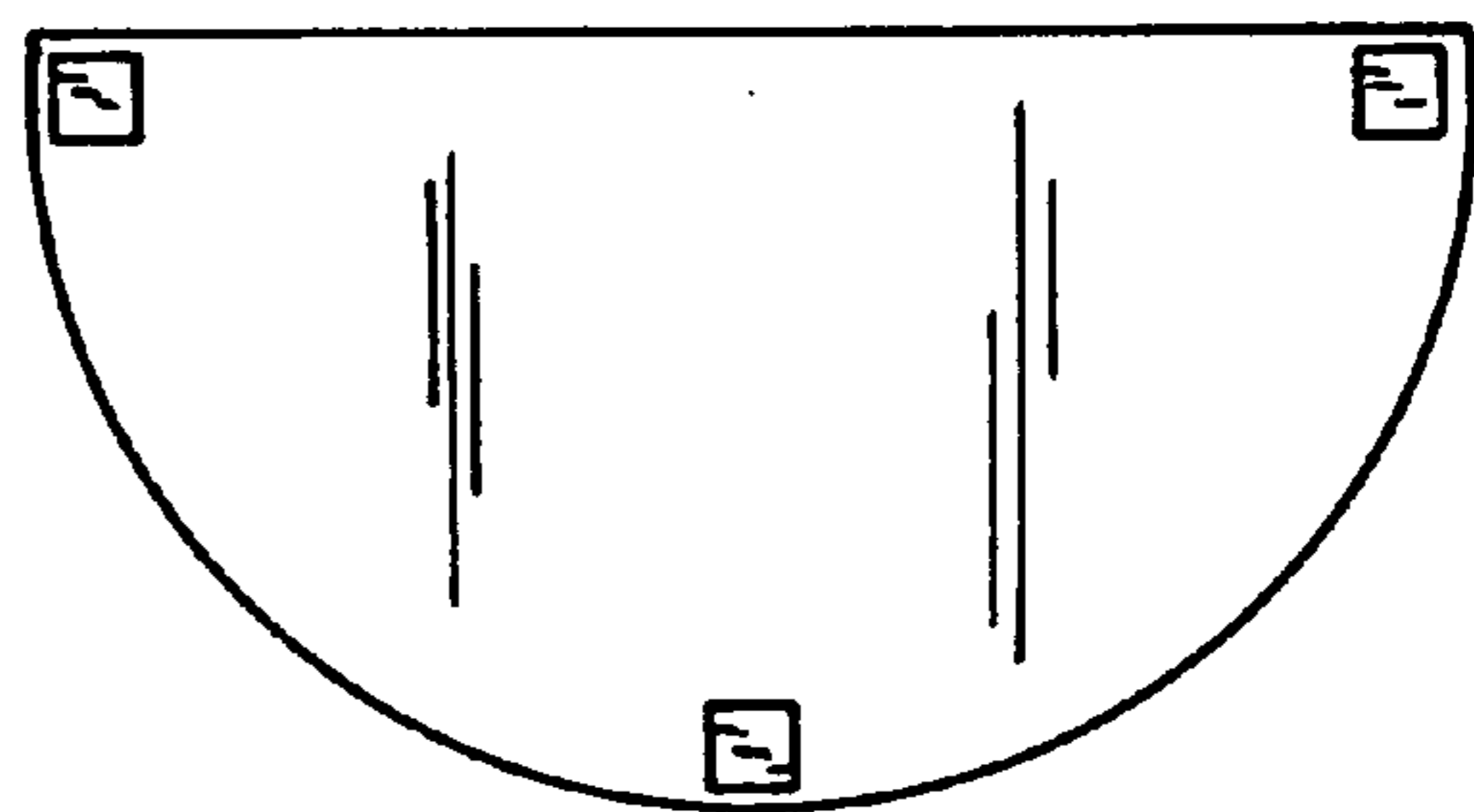
**Fig. 7**



**Fig. 8**



**Fig. 9**



**Fig. 10**