



US00D421348S

United States Patent [19]

[11] Patent Number: Des. 421,348

Pierson

[45] Date of Patent: ** Mar. 7, 2000

[54] IN LINE KIOSK

[75] Inventor: Eric Pierson, Belgrade, Mont.

[73] Assignee: Wheat Montana Farms & Bakery, Three Forks, Mont.

[**] Term: 14 Years

[21] Appl. No.: 29/101,994

[22] Filed: Mar. 16, 1999

[51] LOC (6) Cl. 25-03

[52] U.S. Cl. D6/436; D25/16; D99/28

[58] Field of Search D99/28, 35, 41, D99/42, 43, 99; D6/436, 437, 438, 470; D20/1, 4; D25/1, 16, 33; D15/81, 85; D21/506; 446/479, 482; D7/300, 307, 308; 221/282; 312/196, 284; 52/36.1, 79.1

[56] References Cited

U.S. PATENT DOCUMENTS

D. 69,694	3/1926	Flagg	D6/436
D. 158,775	5/1950	Malkin	D6/470
D. 181,112	10/1957	Smith	D25/33
D. 202,081	8/1965	Zaslovsky	D6/470
D. 249,611	9/1978	Burton	D6/436
D. 249,612	9/1978	Burton	D6/436
D. 361,239	8/1995	Di Santo	D7/308

D. 379,666	6/1997	Horton	D25/16
D. 391,615	3/1998	Wilgus	D21/506
D. 409,248	5/1999	Ogomori et al.	D20/4
D. 409,351	5/1999	Ha	D99/28
D. 411,017	6/1999	Kleihues	D25/16

Primary Examiner—Paula A. Mortimer
Attorney, Agent, or Firm—Koley, Jessen, Daubman & Rupiper, P.C.; Mark D. Frederiksen

[57] CLAIM

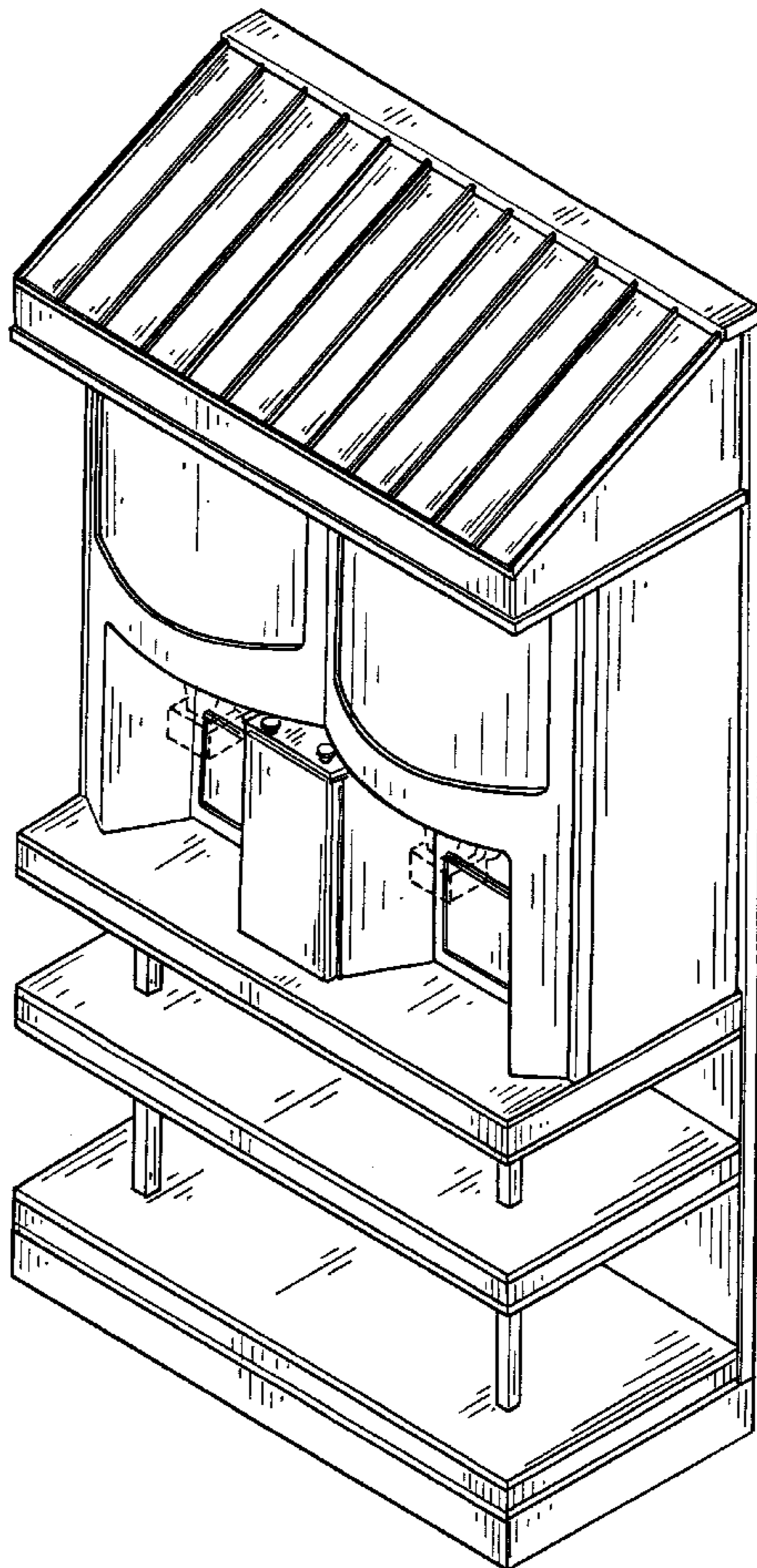
The ornamental design for an in line kiosk, as shown and described.

DESCRIPTION

FIG. 1 is a perspective view of the in line kiosk showing my new design;
 FIG. 2 is a top plan view thereof;
 FIG. 3 is a front elevational view thereof;
 FIG. 4 is an elevational view taken from the right side of FIG. 3, the left elevational view being a mirror image thereof;
 FIG. 5 is a rear elevational view thereof; and,
 FIG. 6 is a bottom plan view thereof.

The broken line shown in FIG. 1 is included for the purpose of illustrating environmental structure only, and forms no part of the claimed design.

1 Claim, 2 Drawing Sheets



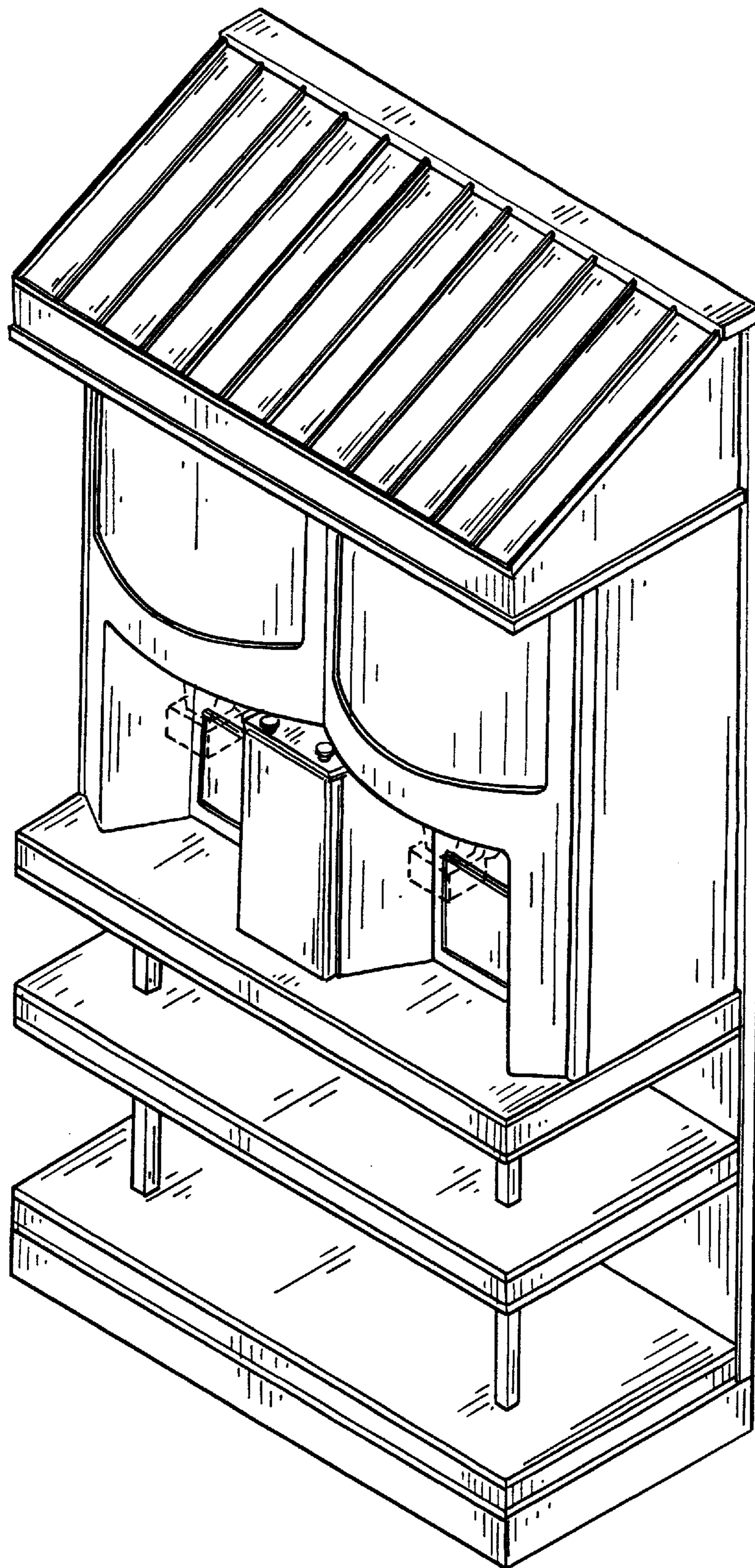


FIG. 1

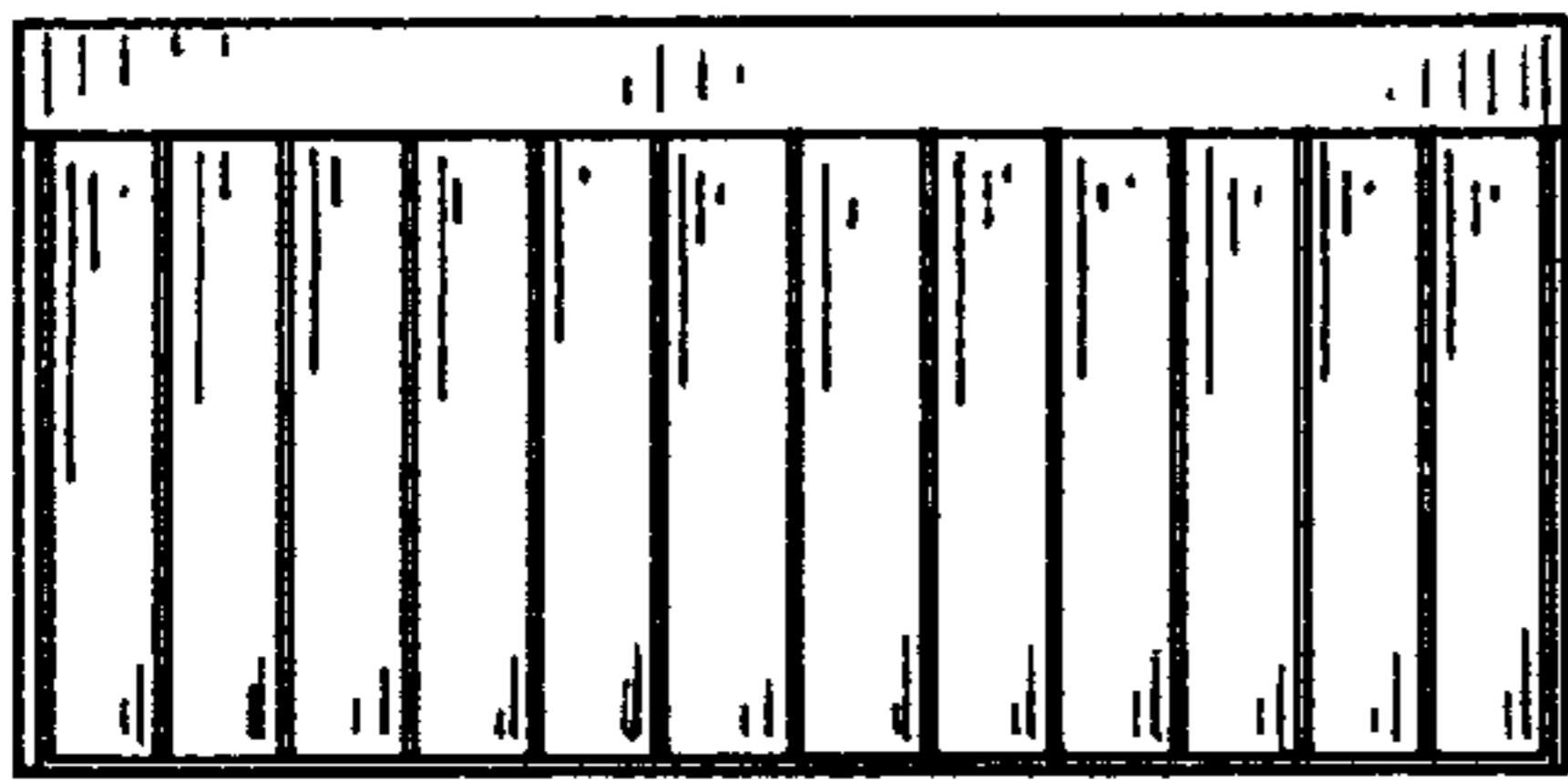


FIG. 2

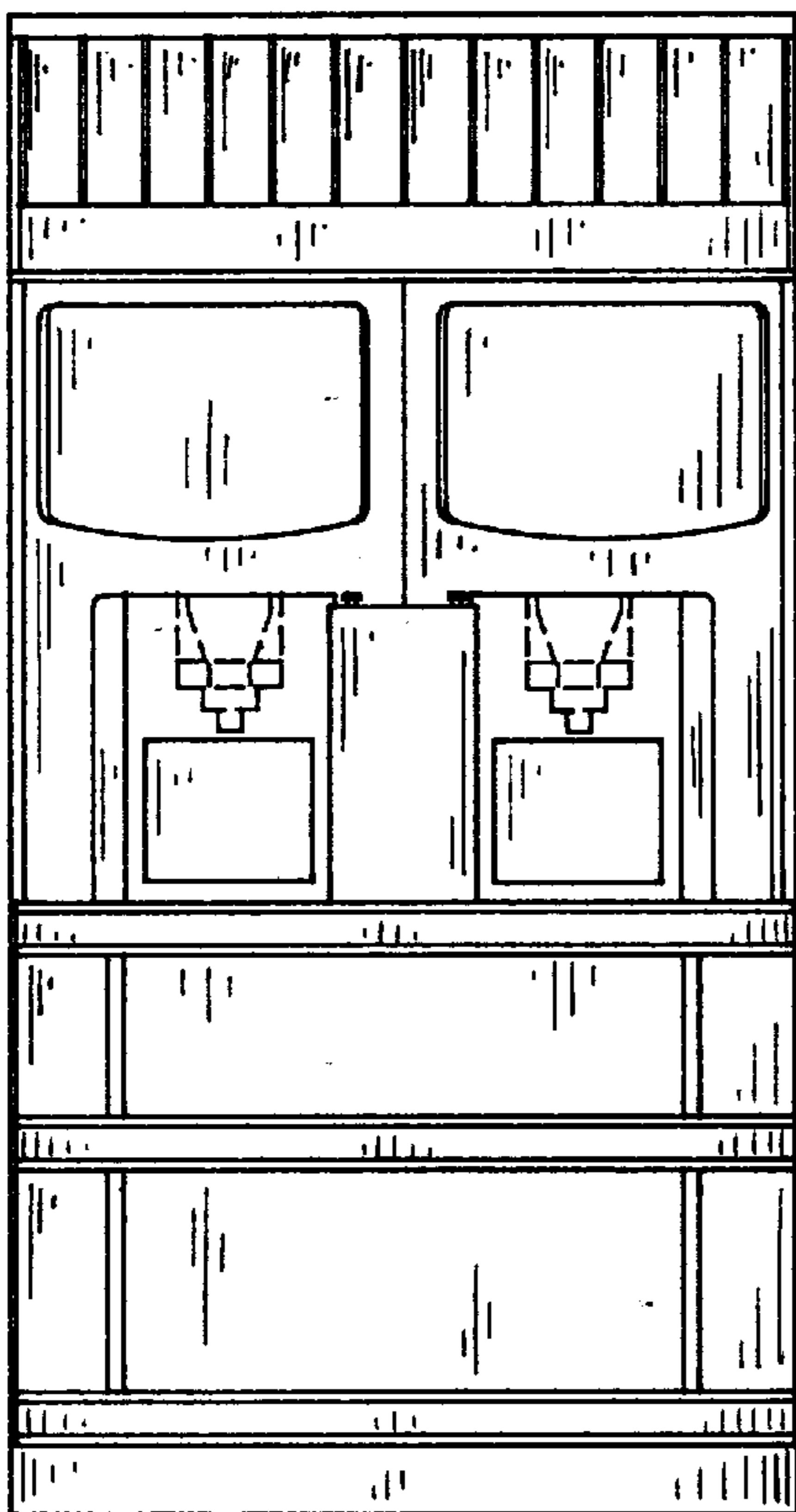


FIG. 3

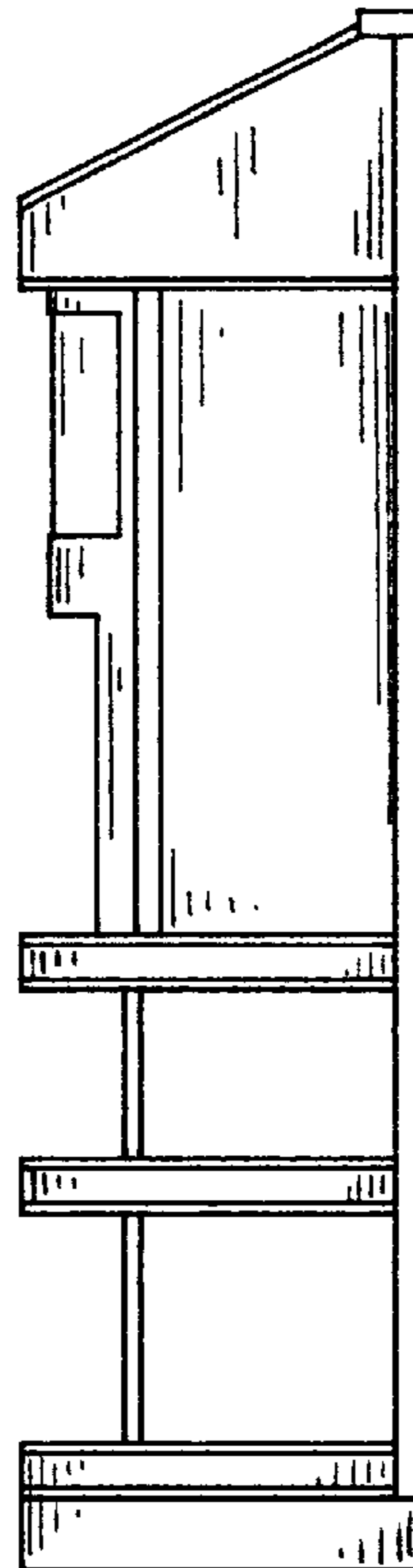


FIG. 4

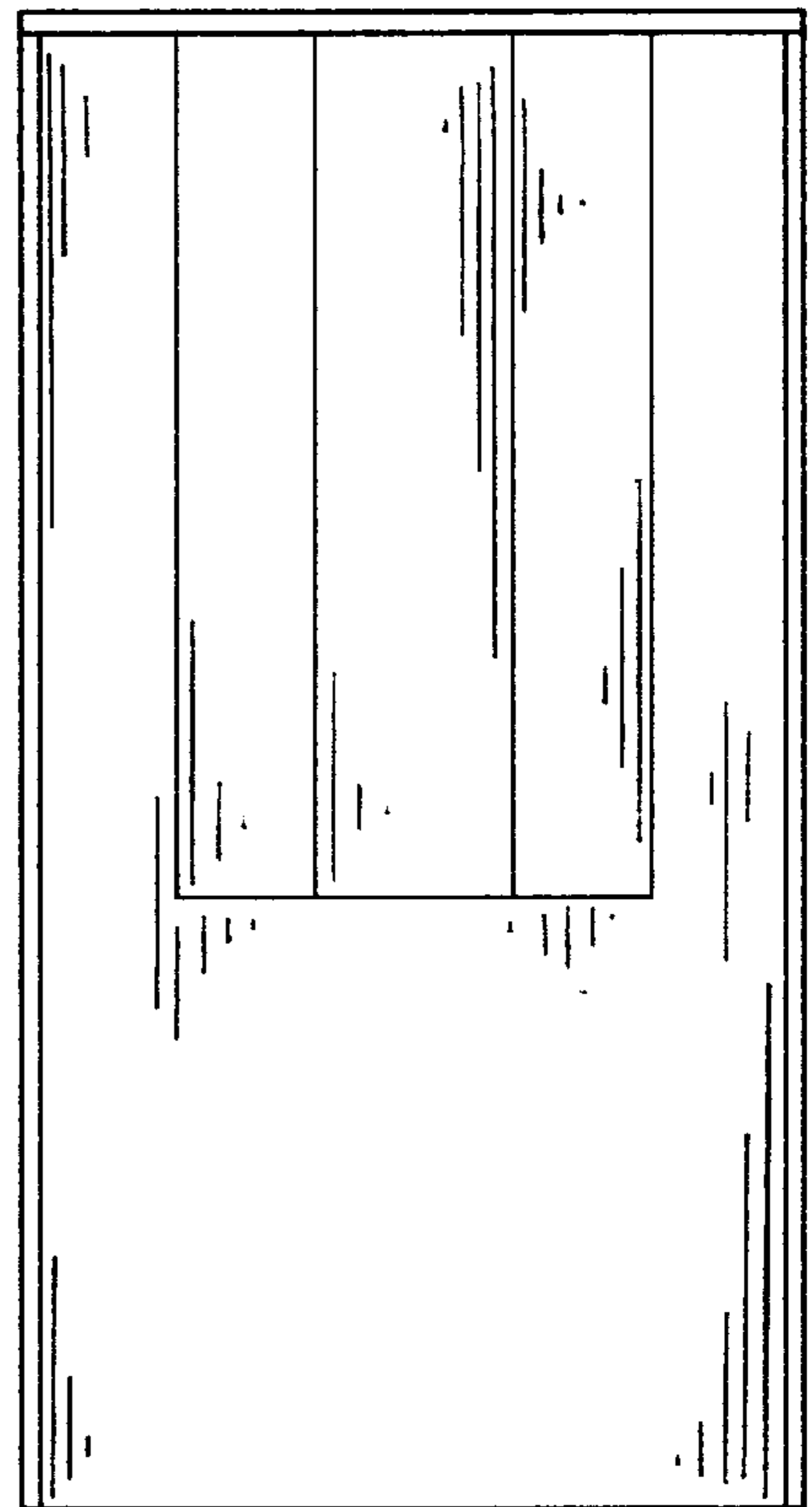


FIG. 5

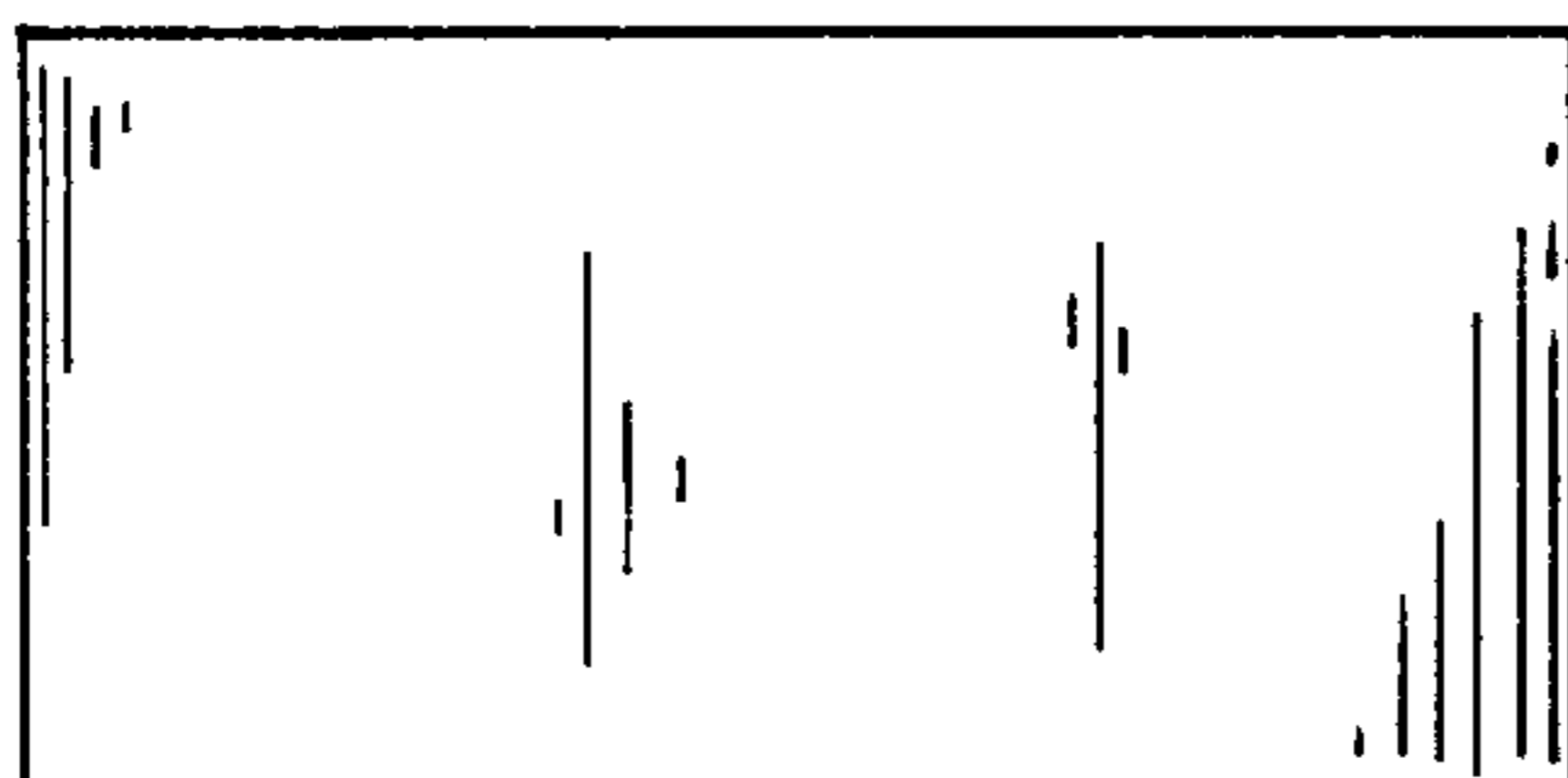


FIG. 6